



US00D441659S

(12) **United States Design Patent**
Di Canio et al.

(10) **Patent No.:** **US D441,659 S**

(45) **Date of Patent:** **** May 8, 2001**

(54) **BOTTLE**

(75) Inventors: **Robert G. Di Canio**, Naperville, IL (US); **Suppayan M. Krishnakumar**, Nashua, NH (US); **Jeff Lichtman**, Evanston; **Jeffrey L. Pattee**, Palatine, both of IL (US); **David P. Piccioli**, Auburn, NH (US); **Christopher D. Rowe**, Barrington; **Tia-Maria Smith**, Chicago, both of IL (US)

D. 294,117	2/1988	Rogler et al.	D9/390
D. 294,463	3/1988	Lang	D9/392
D. 294,678	3/1988	Papa	D9/392
D. 295,381	4/1988	Papa	D9/392
D. 300,805 *	4/1989	Rogler et al.	D9/520
D. 306,262	2/1990	Bit	D9/396
D. 313,747	1/1991	Martin	.	
D. 313,930	1/1991	Martin	.	
D. 320,154	9/1991	Alberghini et al.	.	

(List continued on next page.)

(73) Assignee: **Stokely-Van Camp, Inc.**, Chicago, IL (US)

FOREIGN PATENT DOCUMENTS

1009146	1/1989	(JP)	.	
5553	2/1993	(PH)	D9/502

(*) Notice: This patent is subject to a terminal disclaimer.

OTHER PUBLICATIONS

(**) Term: **14 Years**

Oct. 11, 1997, pictures of bottles (Exhibit A).
Oct. 11, 1997, pictures of bottles (Exhibit B).
Mar. 4, 1998, pictures of bottle (Exhibit C).

(21) Appl. No.: **29/085,978**

Primary Examiner—Dominic Simone
(74) *Attorney, Agent, or Firm*—Lars S. Johnson

(22) Filed: **Apr. 2, 1998**

Related U.S. Application Data

(57) **CLAIM**

(63) Continuation-in-part of application No. 29/078,570, filed on Oct. 28, 1997.

We claim the ornamental design for bottle, as shown.

(51) **LOC (7) Cl.** **09-01**

DESCRIPTION

(52) **U.S. Cl.** **D9/550**

FIG. 1 is a perspective view of a bottle showing our new design;
FIG. 2 is a front view of the bottle depicted in FIG. 1, the opposite side being identical;
FIG. 3 is a side view of the bottle depicted in FIG. 2, representing a ninety degree rotation of the bottle about its vertical center axis from the front view depicted in FIG. 2, the opposite side being identical;
FIG. 4 is a top view of the bottle depicted in FIG. 2; and,
FIG. 5 is a bottom view of the bottle depicted in FIG. 2.

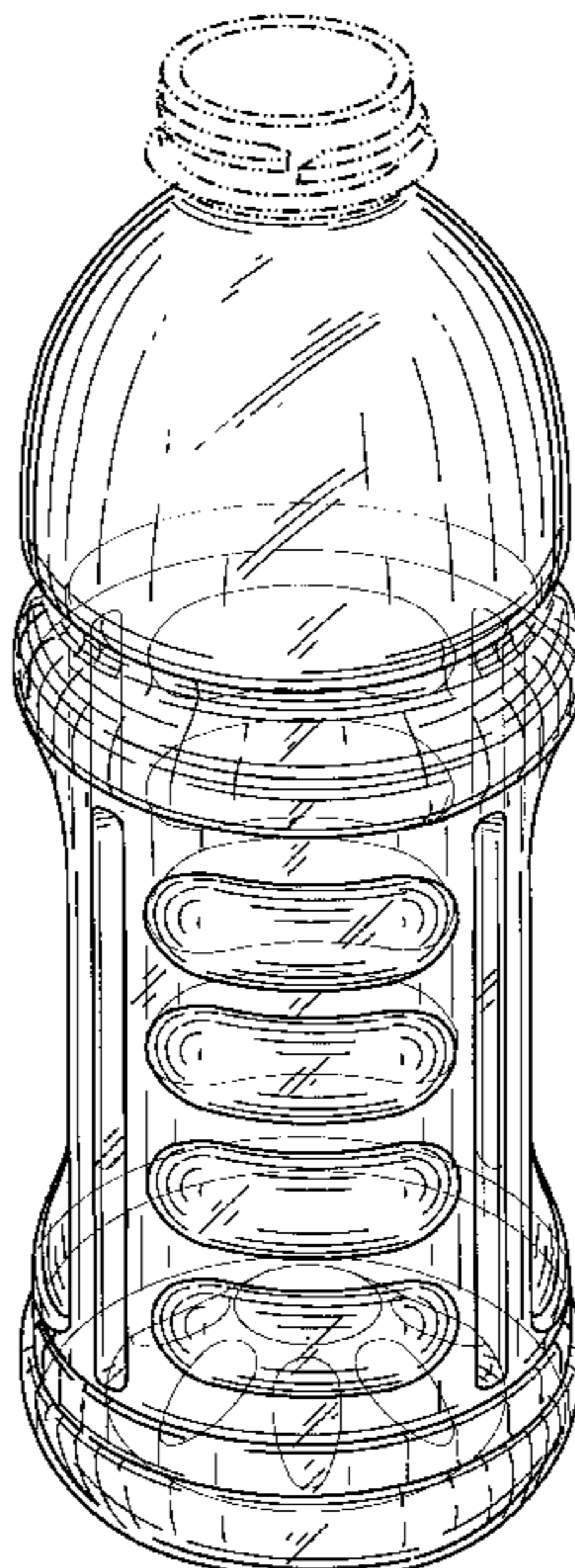
(58) **Field of Search** D9/520, 537, 540, D9/550, 551, 553; 215/381, 383, 384

(56) **References Cited**

U.S. PATENT DOCUMENTS

D. 154,563 *	7/1949	Peters	D9/551
D. 214,158	5/1969	Pettengill	D9/100
D. 218,019	7/1970	Lattraye et al.	D9/73
D. 235,736	7/1975	Strand et al.	D9/111
D. 269,500	6/1983	Bit	D9/350

1 Claim, 2 Drawing Sheets



US D441,659 S

Page 2

U.S. PATENT DOCUMENTS					
			4,863,046	9/1989	Collette et al. 215/1 C
			4,907,709	3/1990	Abe et al. .
D. 334,342	3/1993	Thompson	5,005,716	4/1991	Eberle
D. 335,084	4/1993	Snyder	5,024,341	6/1991	Dekerle
D. 344,457	2/1994	Prevot et al.	5,064,081	11/1991	Hayashi et al.
D. 345,693	4/1994	Edstrom .	5,141,120	8/1992	Brown et al. .
D. 348,606	7/1994	Edstrom .	5,141,121	8/1992	Brown et al. .
D. 352,245	11/1994	Krishnakumar et al. .	5,178,289	1/1993	Krishnakumar et al.
D. 370,178	5/1996	Petre et al.	5,178,290	1/1993	Ota et al. .
D. 379,224 *	5/1997	McCallister et al.	5,303,833	4/1994	Hayashi et al.
D. 379,306	5/1997	Peykoff	5,385,250	1/1995	Pasquale
D. 394,812	6/1998	Crawford .	5,579,937 *	12/1996	Valyi
D. 396,413	7/1998	Duboff	5,704,503	1/1998	Krishnakumar et al.
D. 396,640	8/1998	Conrad et al.	5,746,339	5/1998	Petre et al.
D. 397,297	8/1998	Yang	5,758,790 *	6/1998	Ewing, Jr.
D. 397,616	9/1998	Chen .	5,836,469 *	11/1998	Zebrowski
D. 397,941	9/1998	Lauth	5,971,184	10/1999	Krishnakumar
D. 398,479	9/1998	Vultaggio et al. .			
D. 401,860	12/1998	Granelli			

* cited by examiner

FIG. 1

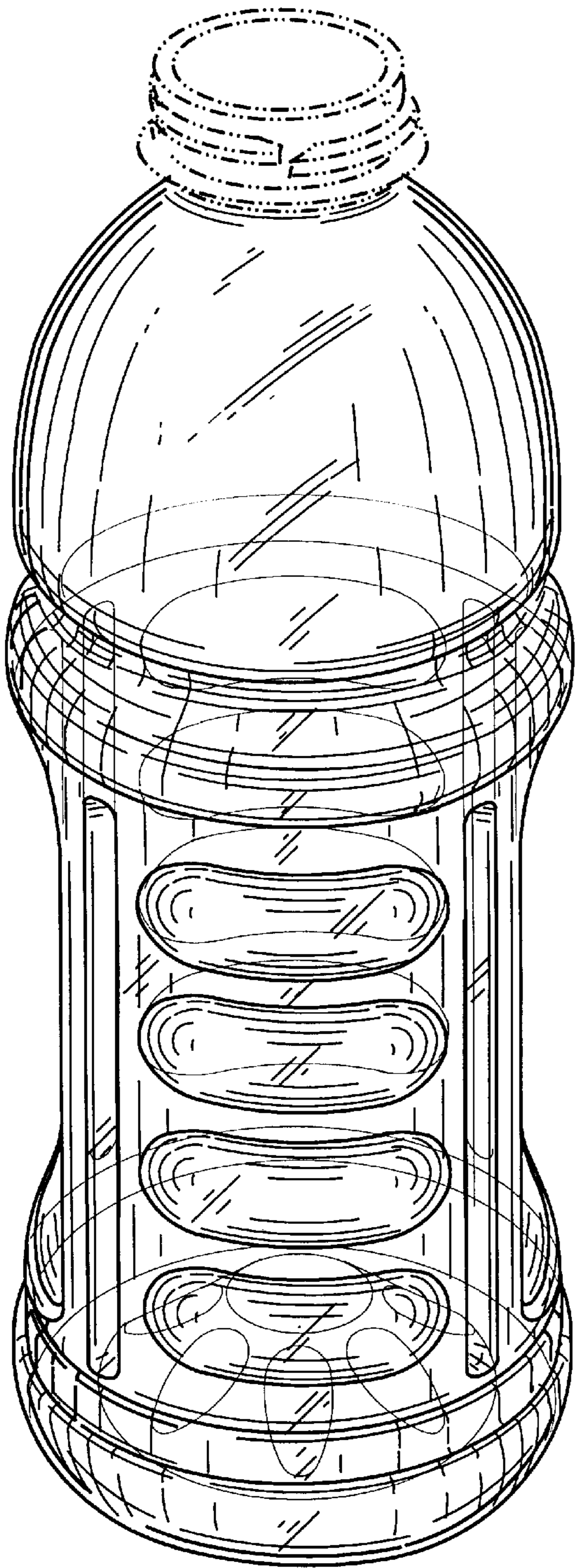


FIG. 4

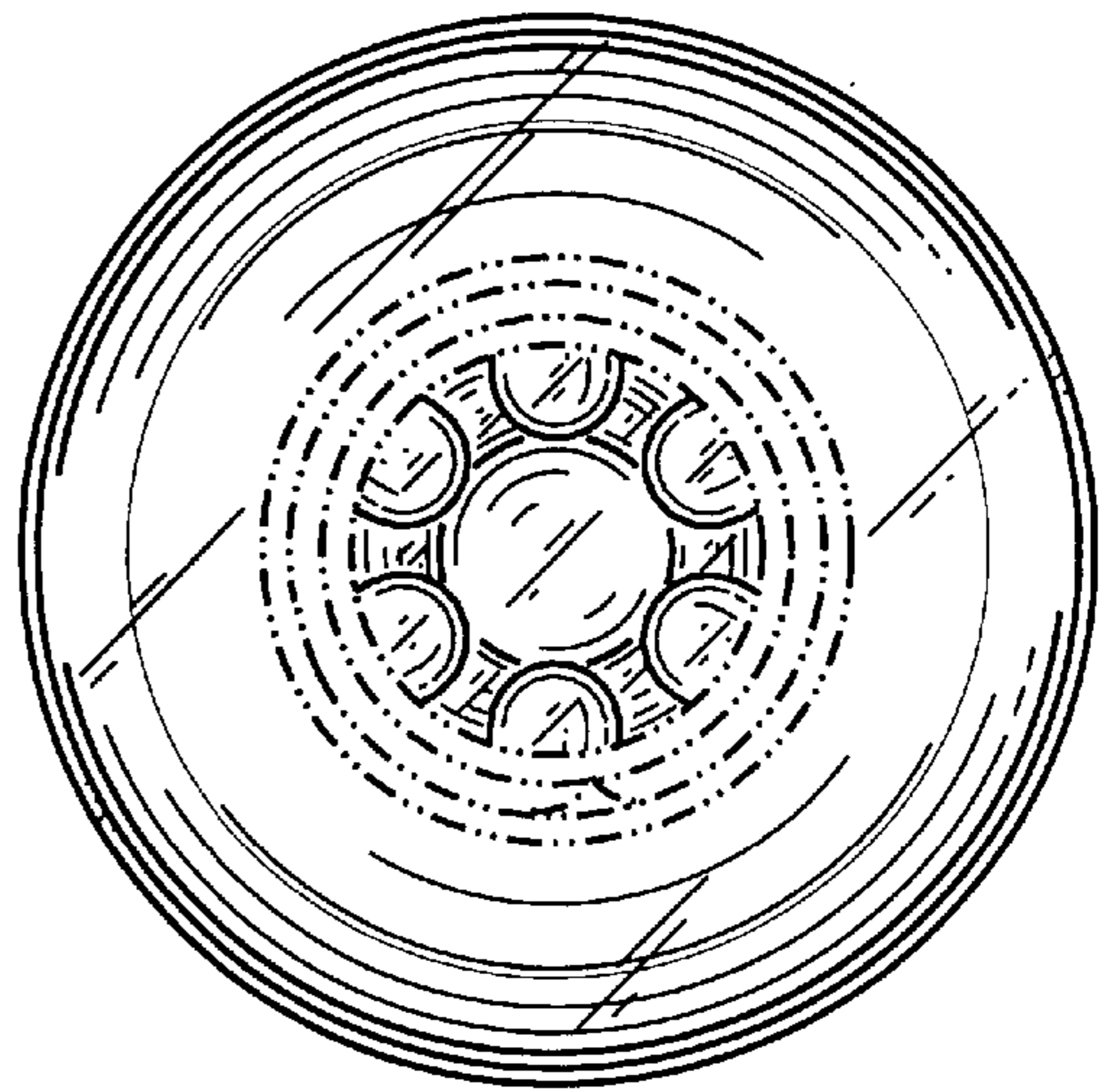


FIG. 5

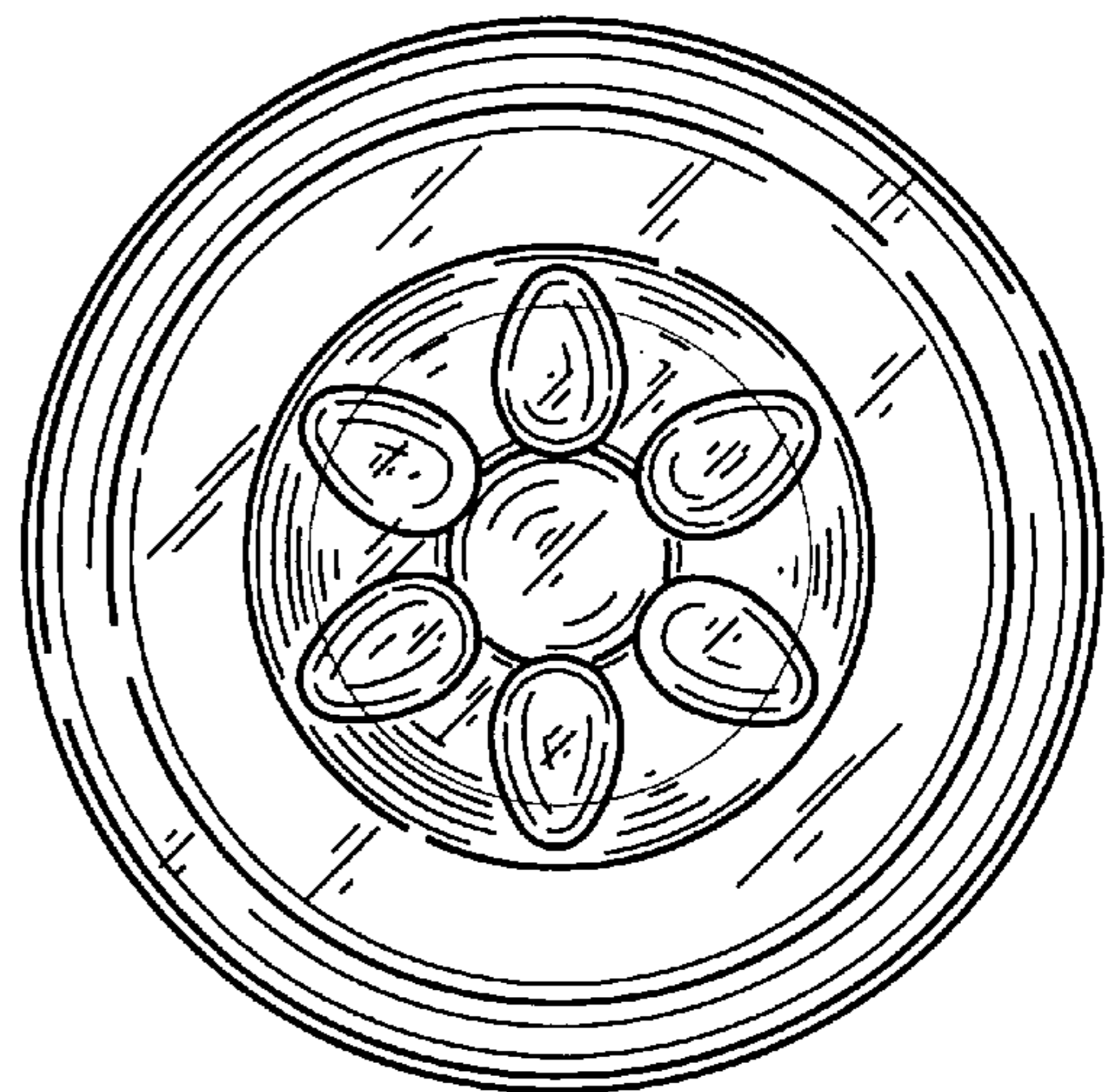


FIG. 2

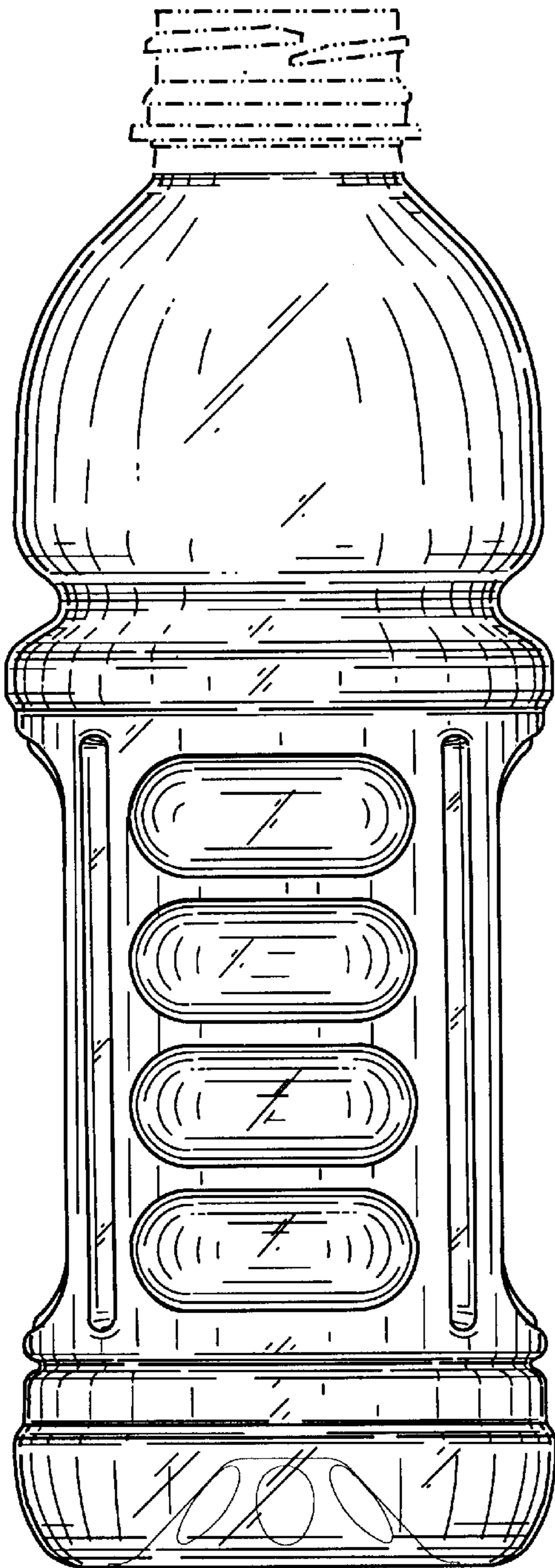


FIG. 3

