



US00D441656S

(12) **United States Design Patent**  
**McQueen**

(10) **Patent No.:** **US D441,656 S**

(45) **Date of Patent:** **\*\* May 8, 2001**

(54) **CORNER INSERT FOR AN INSULATED CONTAINER**

(74) *Attorney, Agent, or Firm*—Keaty Professional Law Corporation

(76) Inventor: **John McQueen**, 4936 Perrier St., Apt. 2, New Orleans, LA (US) 70115

(57) **CLAIM**

(\*\*) Term: **14 Years**

The ornamental design for a corner insert for an insulated container, as shown and described.

(21) Appl. No.: **29/126,373**

**DESCRIPTION**

(22) Filed: **Jul. 14, 2000**

FIG. 1 is a perspective view of my new ornamental design for a corner insert for an insulated container as installed in a container.

(51) **LOC (7) Cl.** ..... **09-07**

(52) **U.S. Cl.** ..... **D9/456**

FIG. 2 is a perspective view of the corner insert shown in FIG. 1.

(58) **Field of Search** ..... D9/434, 456, 499; D3/319; D8/403; 206/523, 524, 525.1, 526, 564, 586, 587, 593, 822

FIG. 3 is a front view of the corner insert shown in FIGS. 1 and 2.

(56) **References Cited**

**U.S. PATENT DOCUMENTS**

D. 356,244	*	3/1995	Merritt	.....	D8/394
D. 380,680	*	7/1997	Sun	.....	D9/456
2,781,902	*	2/1957	Smithers	.....	206/523
3,035,825	*	5/1962	Weller	.....	206/523 X
3,487,913	*	1/1970	Rohrbach	.....	206/523 X
4,856,656	*	8/1989	Sugimoto et al.	.....	206/523
5,369,649	*	11/1994	Kopp et al.	.....	D9/456 X

FIG. 4 is a back view of the corner insert shown in FIGS. 1-3.

FIG. 5 is a top view of the corner insert shown in FIGS. 1-2. The bottom view is the mirror image of the view shown in FIG. 5; and,

FIG. 6 is an end view of the corner insert shown in FIGS. 1-5.

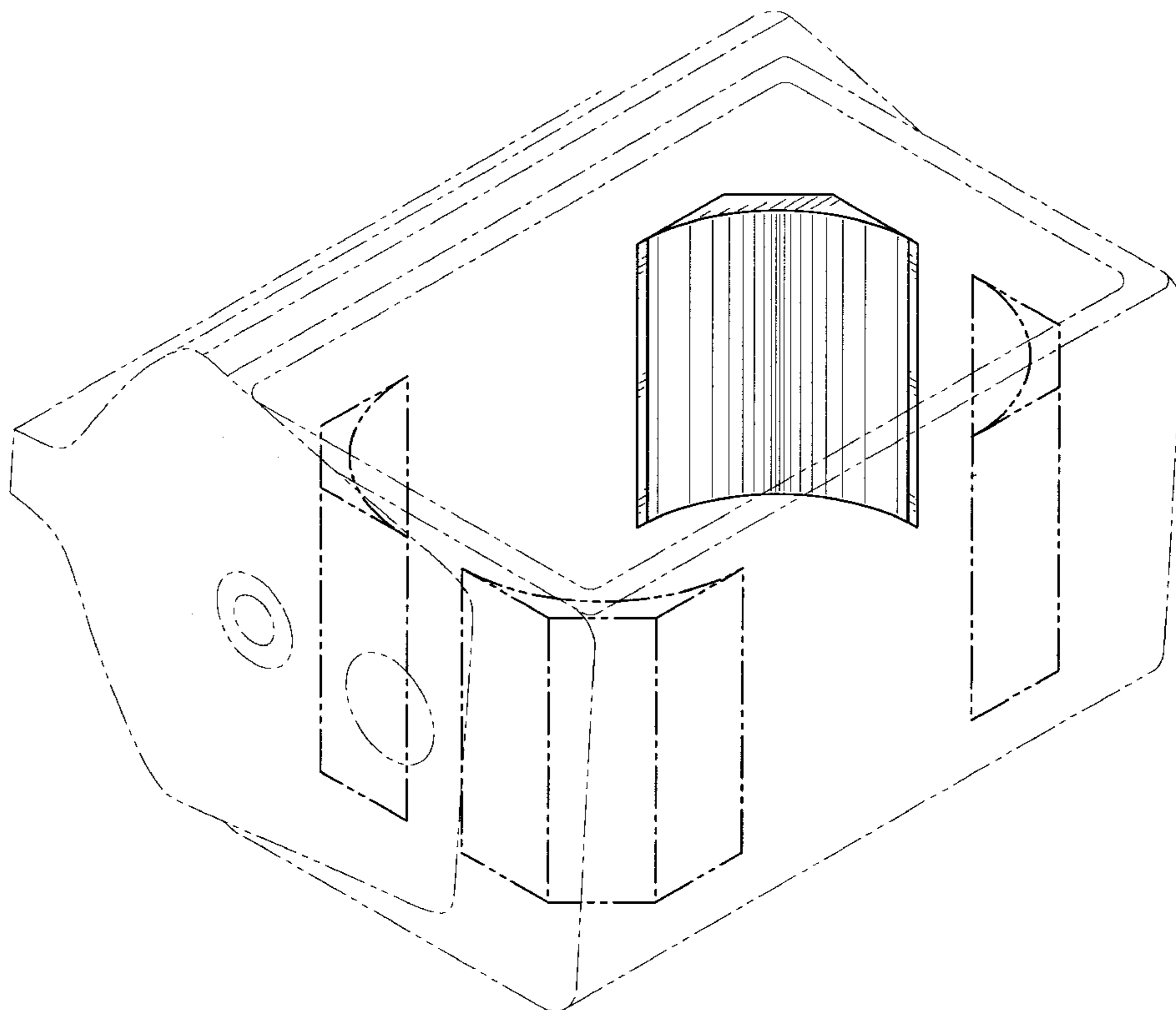
Opposite end view is a mirror image of the view shown in FIG. 6.

The broken line showing of a container and additional inserts is for illustrative purposes only and forms no part of the claimed design.

\* cited by examiner

*Primary Examiner*—Cathron Brooks

**1 Claim, 2 Drawing Sheets**



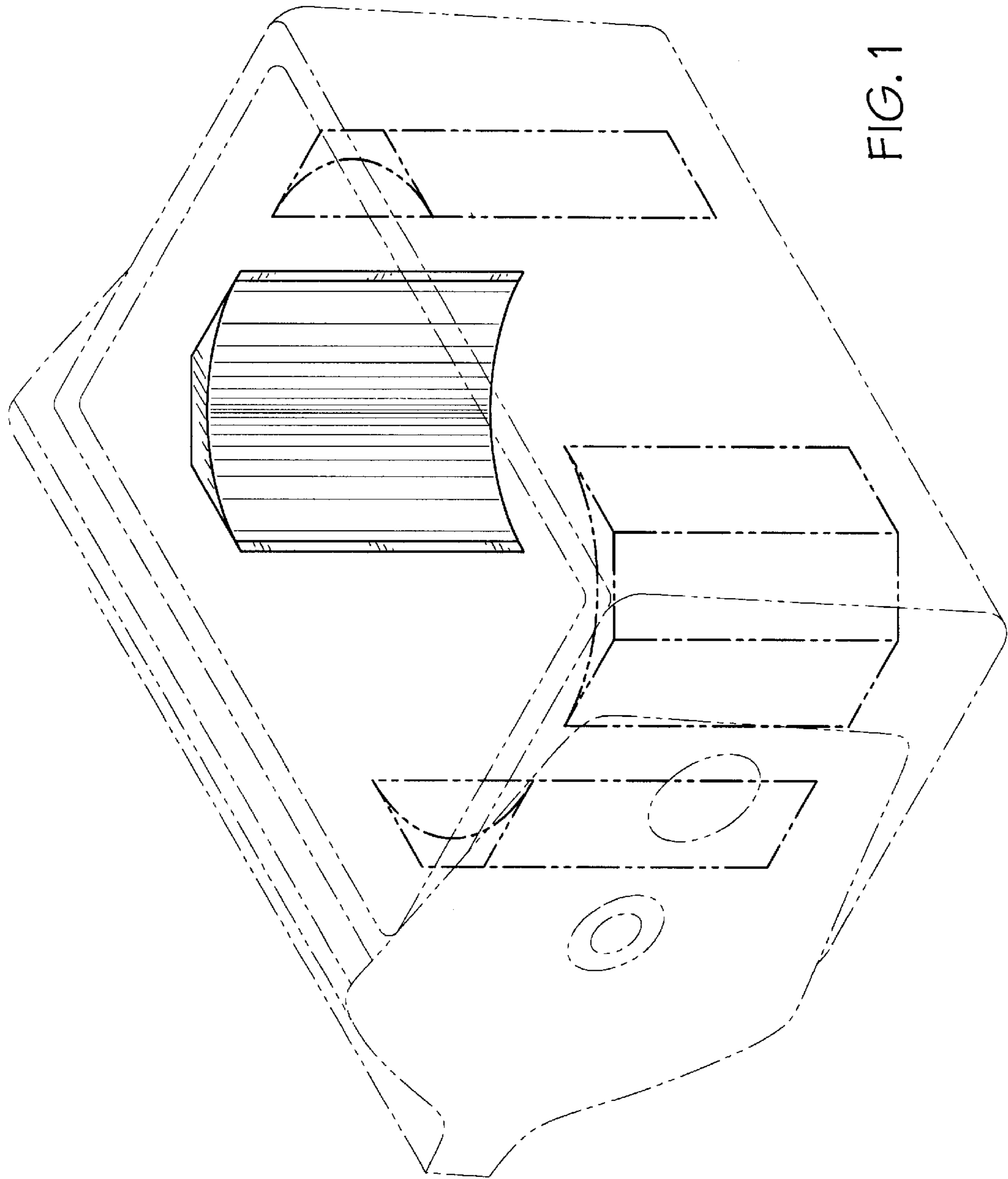


FIG. 1

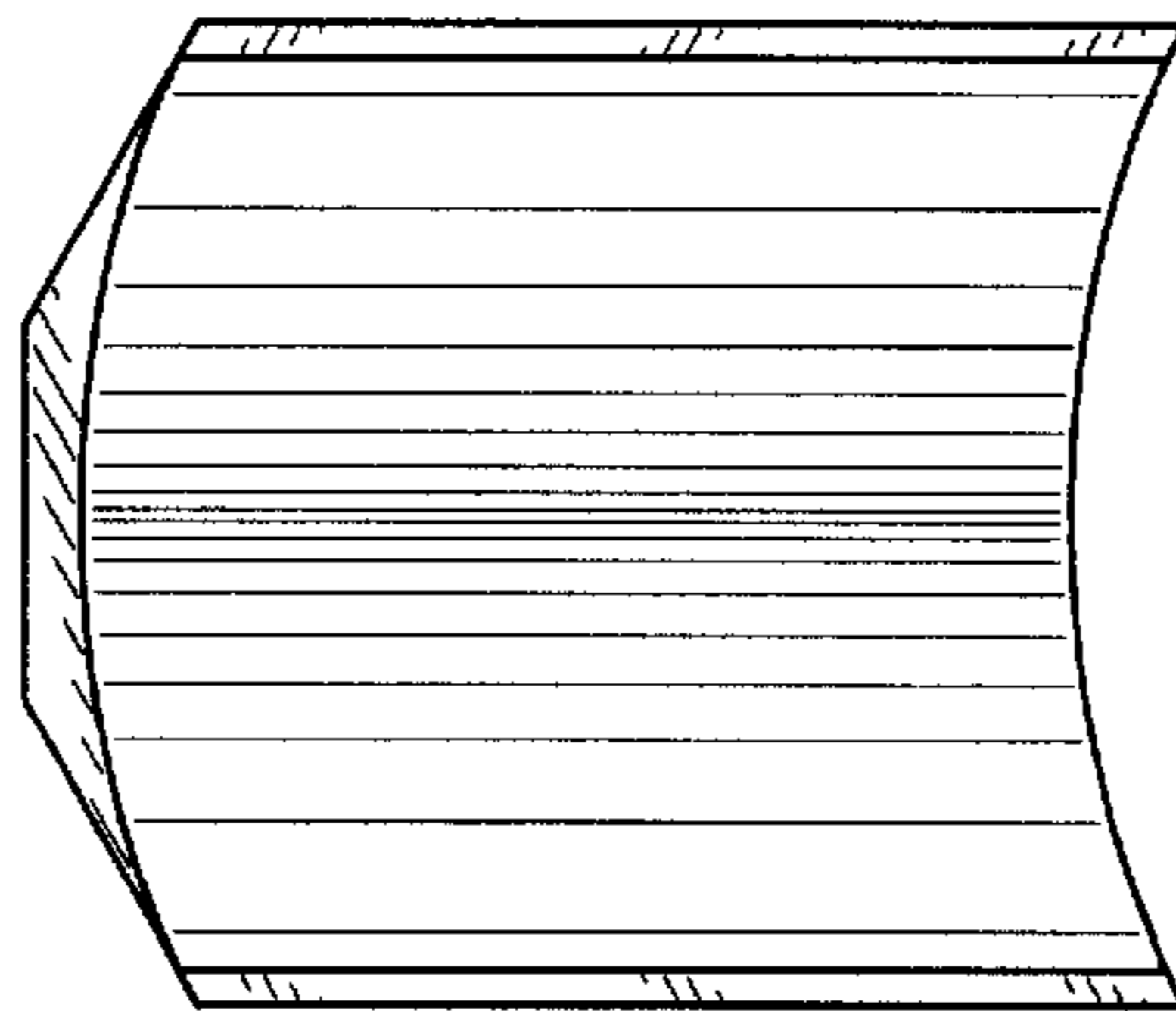


FIG. 2

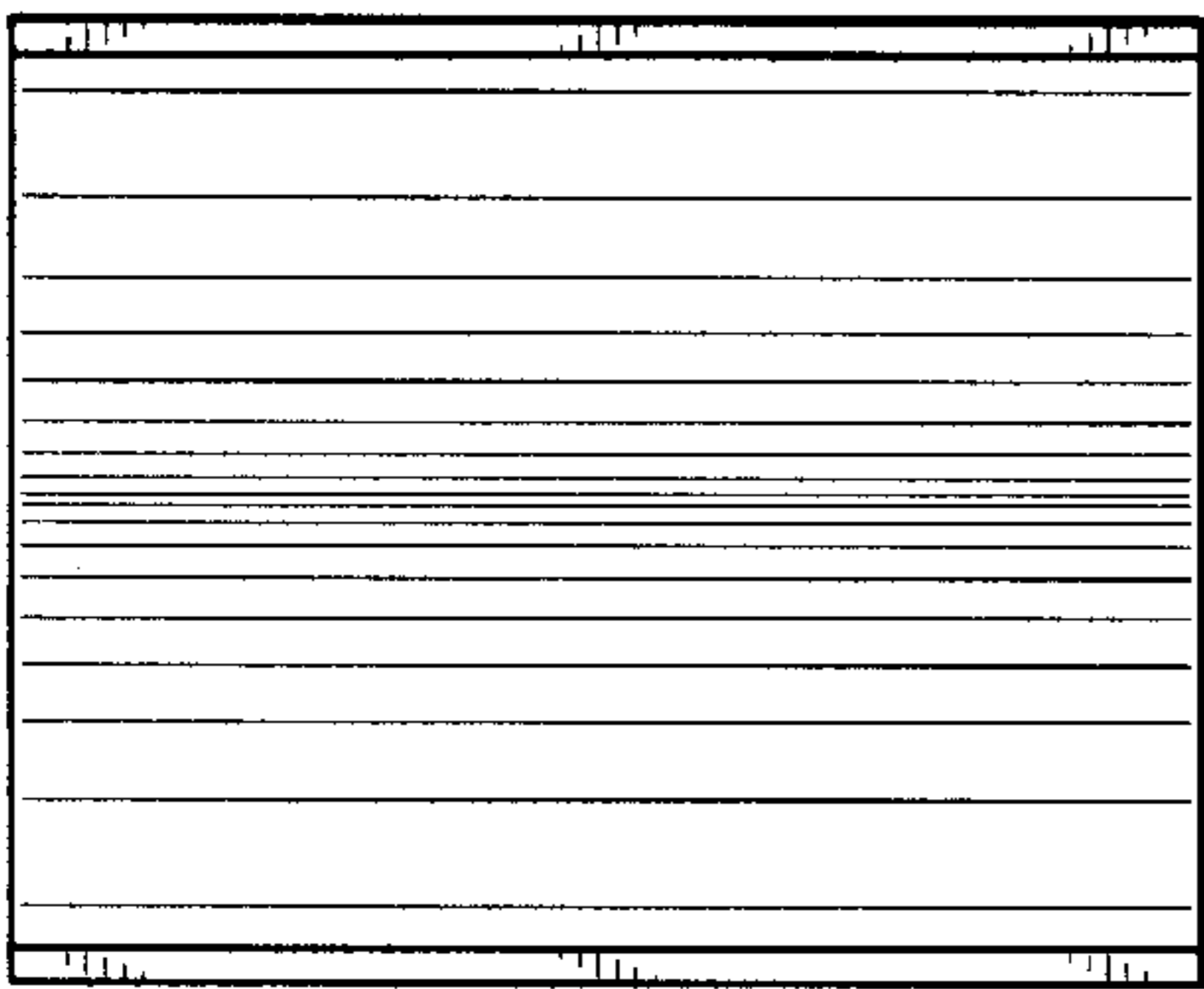


FIG. 3

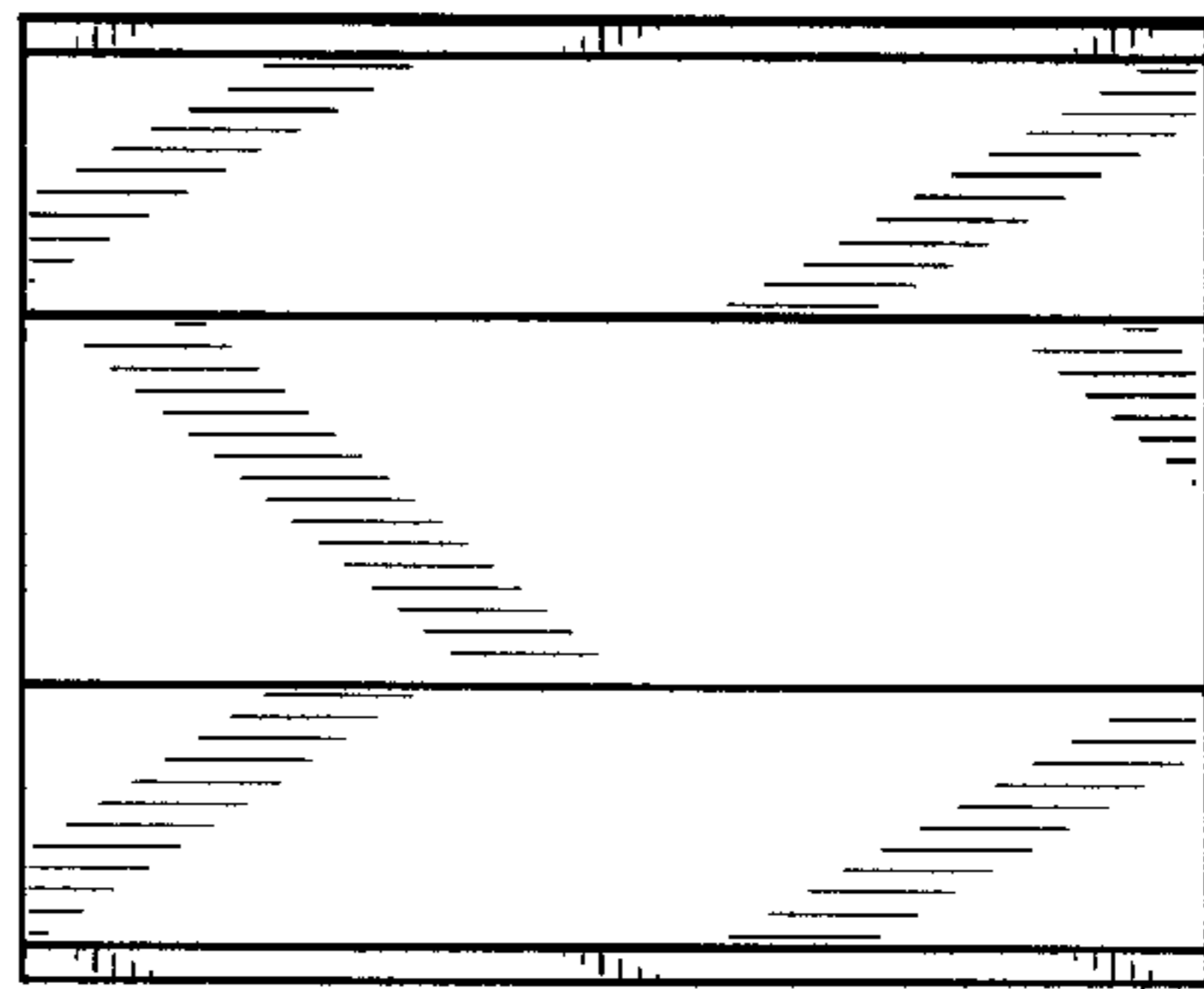


FIG. 4

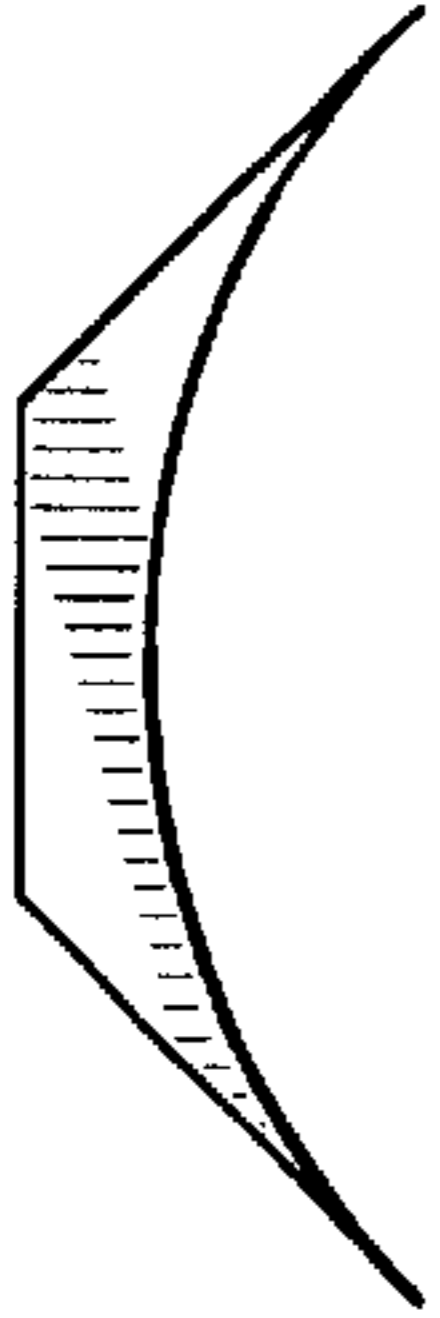


FIG. 5



FIG. 6