



US00D441646S

(12) **United States Design Patent** (10) **Patent No.:** **US D441,646 S**
Adkins (45) **Date of Patent:** **** May 8, 2001**

(54) **DISPLAY PACKAGE**

(75) Inventor: **Richard E Adkins**, Oak Creek, WI (US)

(73) Assignee: **Adkins Collectible Toys, Ltd.**, Franklin, WI (US)

(*) Notice: This patent is subject to a terminal disclaimer.

(**) Term: **14 Years**

(21) Appl. No.: **29/110,758**

(22) Filed: **Sep. 13, 1999**

(51) **LOC (7) Cl.** **09-03**

(52) **U.S. Cl.** **D9/415**

(58) **Field of Search** D9/414, 415, 418, D9/337, 456; 206/461-471, 495, 806, 775-779, 763-769

(56) **References Cited**

U.S. PATENT DOCUMENTS

D. 303,931	*	10/1989	Miller et al.	D9/415
D. 369,547	*	5/1996	Dahlheimer	D9/415
D. 420,905	*	2/2000	Adkins	D9/415
3,939,979	*	2/1976	Neumayer	206/461
4,261,462	*	4/1981	Wysocki	206/462
4,326,546	*	4/1982	Acker	206/461 X
5,735,404	*	4/1998	Kumakura et al.	206/469

* cited by examiner

Primary Examiner—Prabhakar Deshmukh

(74) *Attorney, Agent, or Firm*—Andrus, Scales, Starke & Sawall, LLP

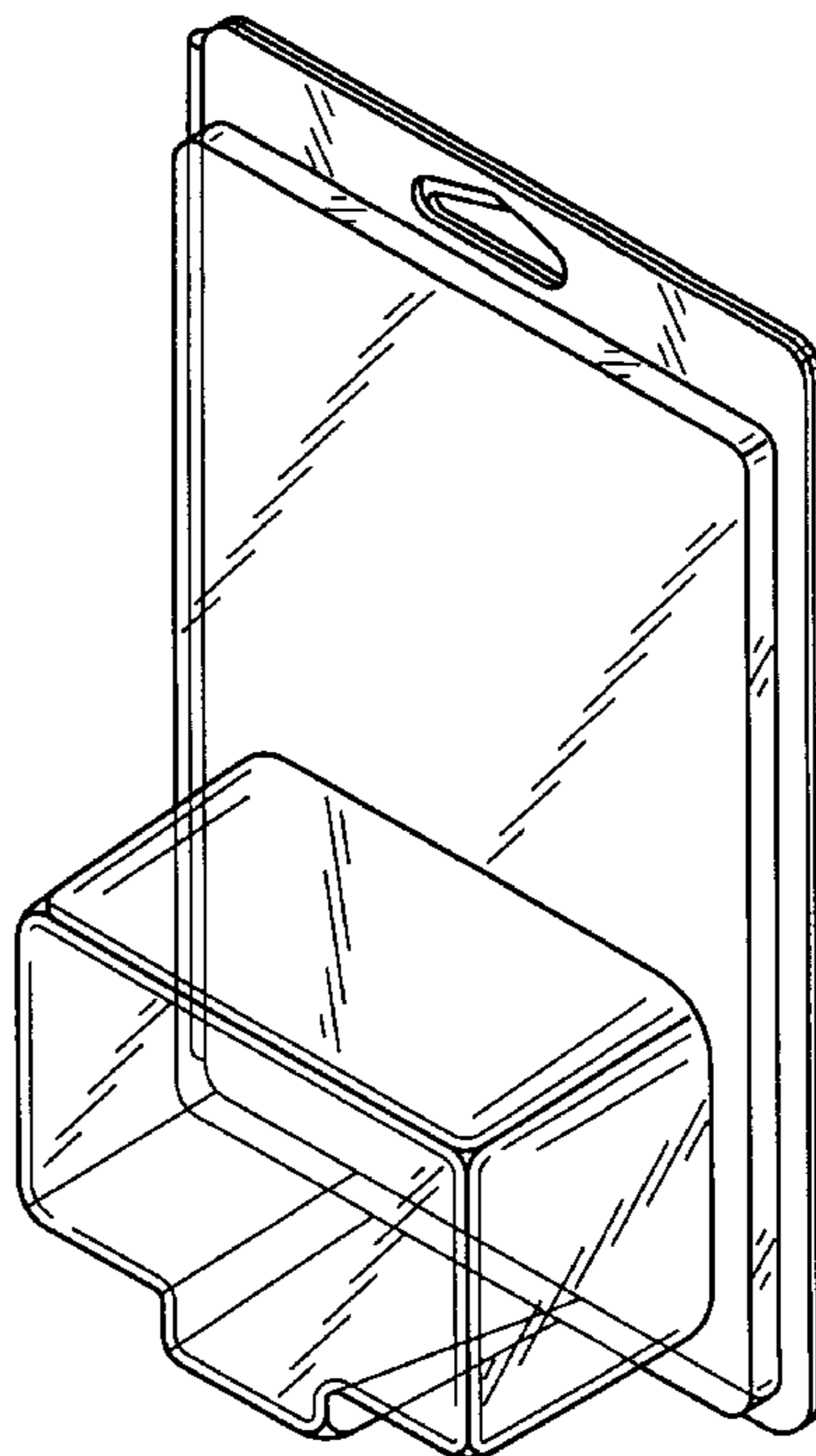
(57) **CLAIM**

I claim the ornamental design for a display package, as shown and described.

DESCRIPTION

FIG. 1 is a perspective view of a display package showing my new design;
 FIG. 2 is a front elevational view of the display package shown in FIG. 1;
 FIG. 3 is a top view of the display package shown in FIG. 1;
 FIG. 4 is a view of the display package taken from the left side of FIG. 1;
 FIG. 5 is a view of the display package taken from the right side of FIG. 1;
 FIG. 6 is a bottom view of the display package shown in FIG. 1;
 FIG. 7 is a rear view of the display package shown in FIG. 1;
 FIG. 8 is a cross-sectional view of the display package taken on line 8—8 of FIG. 7;
 FIG. 9 is a cross-sectional view of the display package taken on line 9—9 of FIG. 7; and,
 FIG. 10 is an enlarged detail view of the display package taken on line 10—10 of FIG. 8.
 The broken line showing of the packaged product is for illustrative purpose only and forms no part of the claimed design.

1 Claim, 3 Drawing Sheets



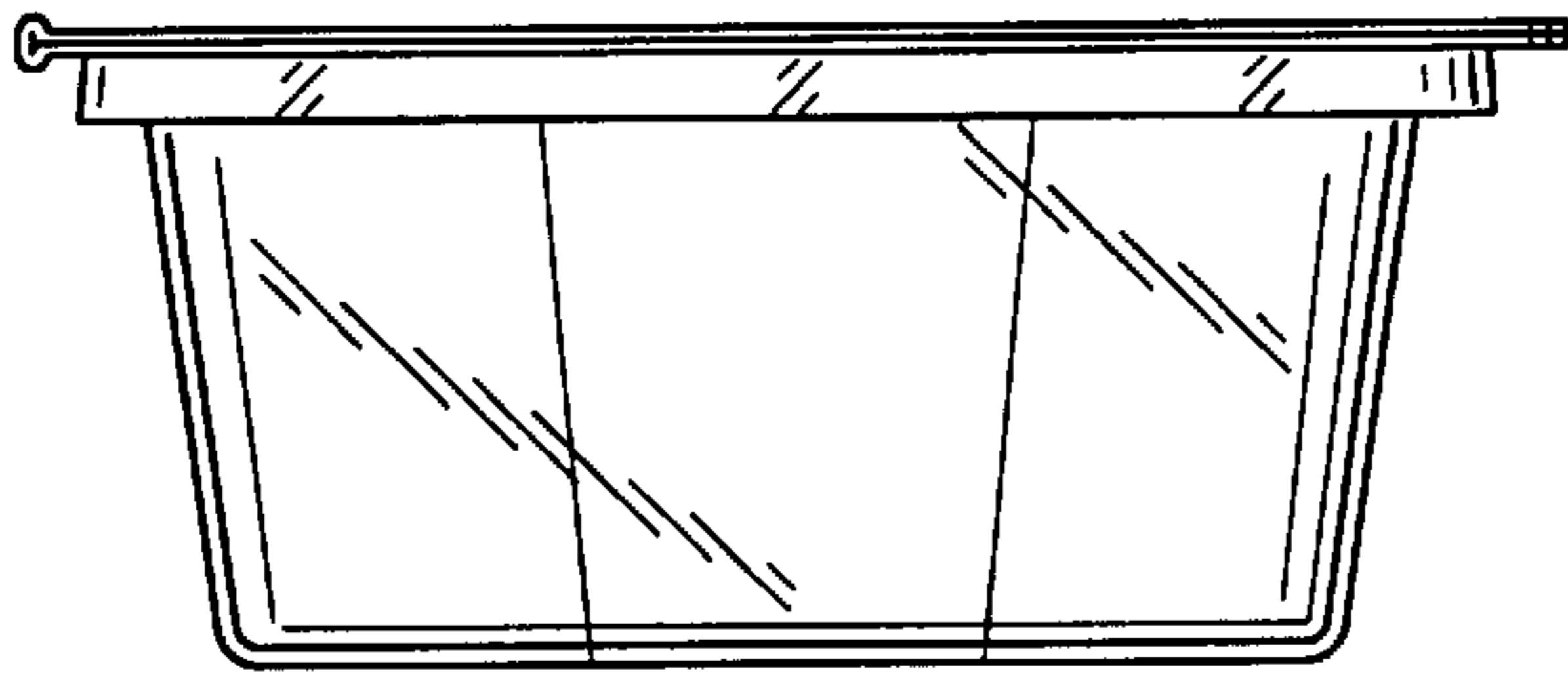


FIG. 3

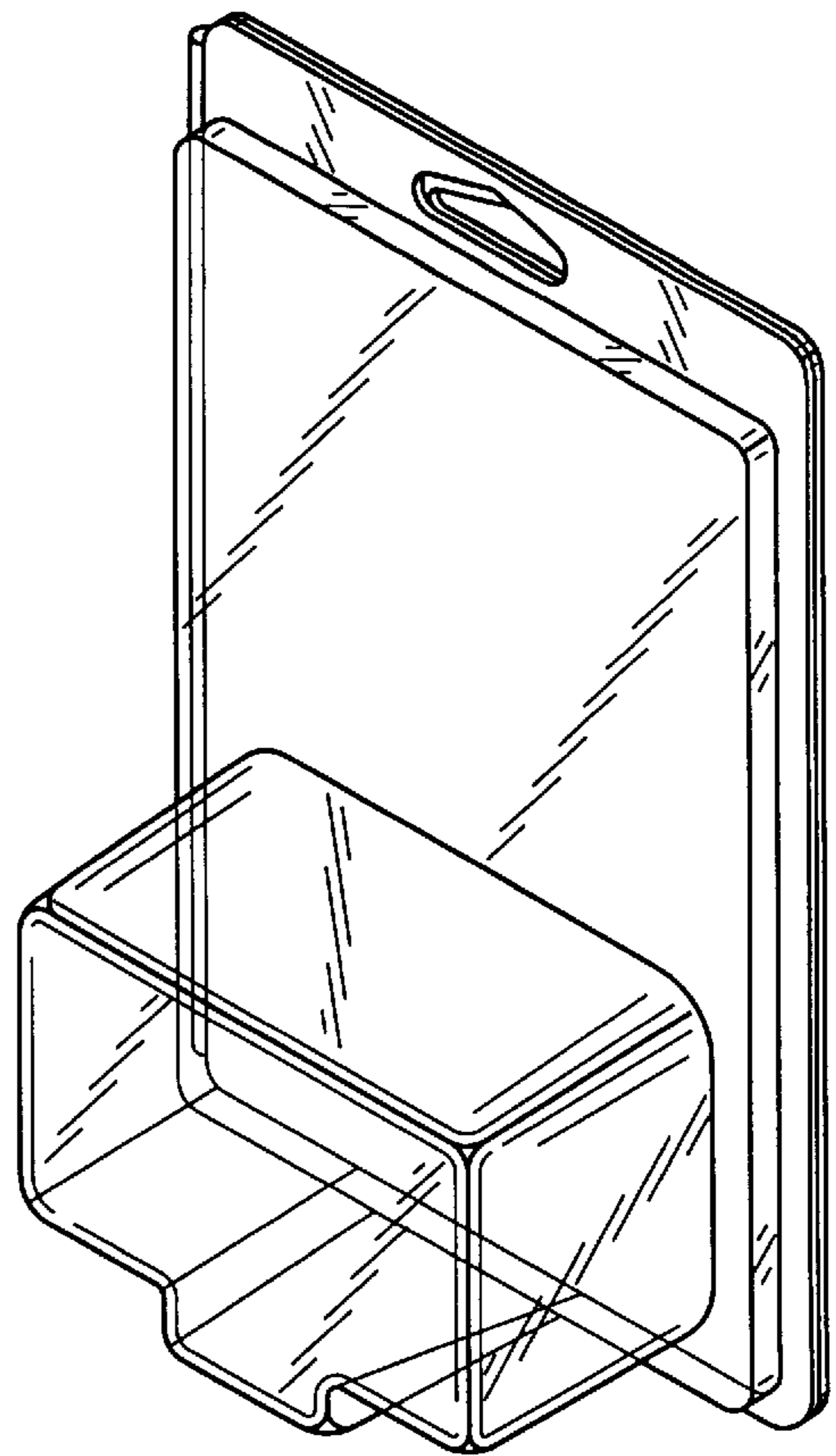


FIG. 1

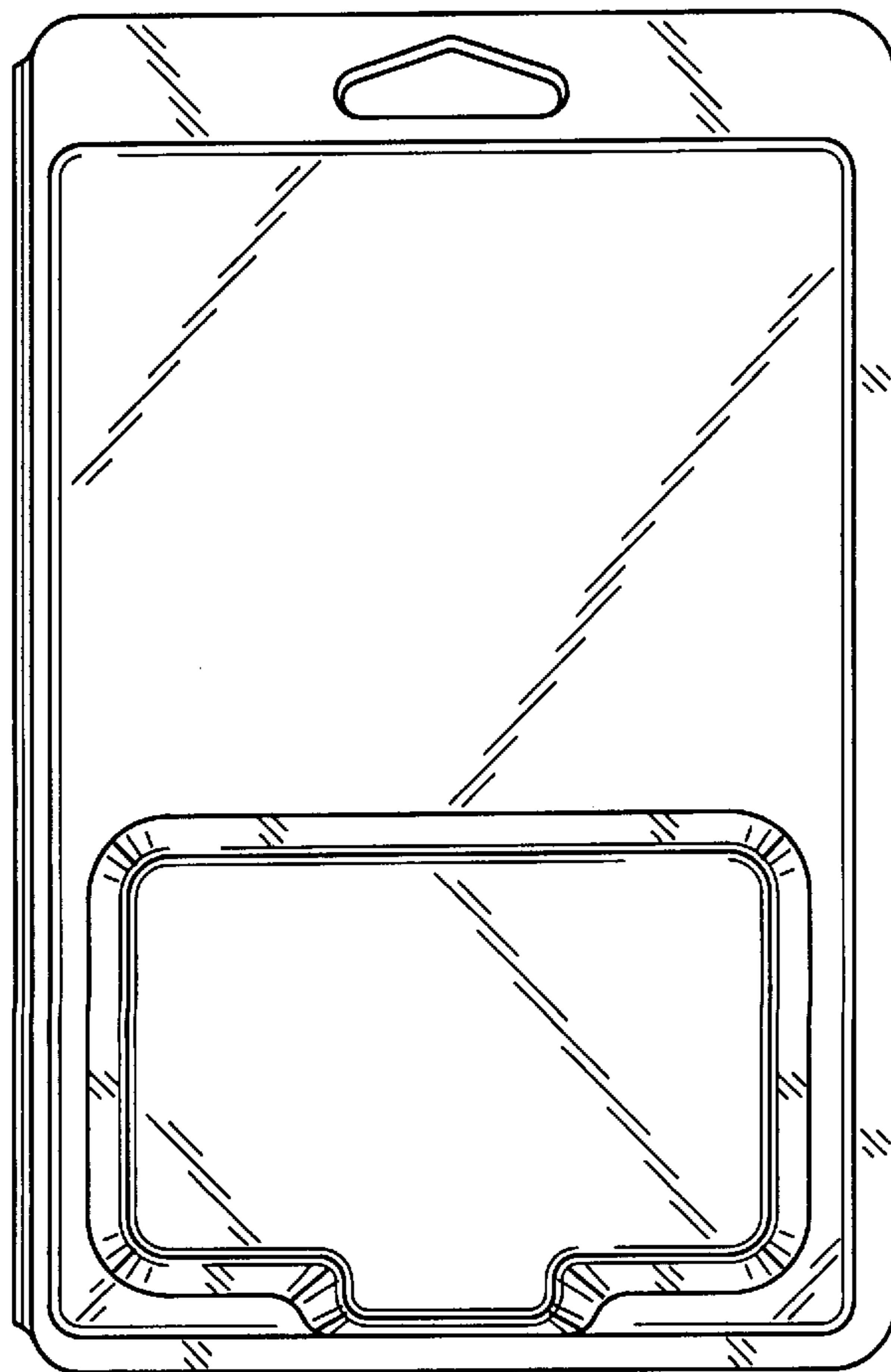


FIG. 2

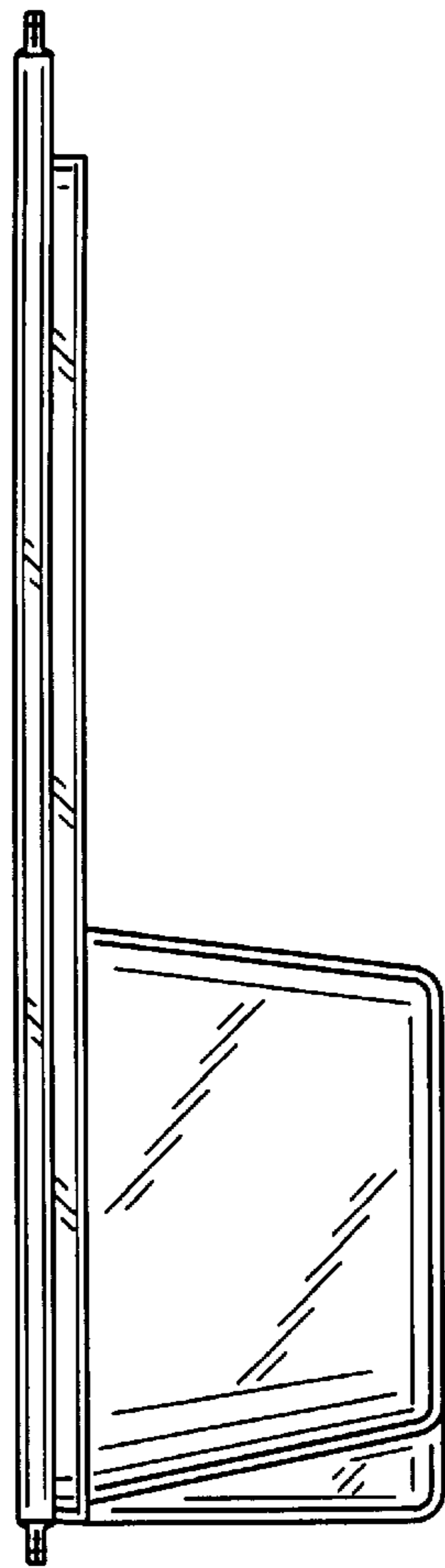


FIG. 4

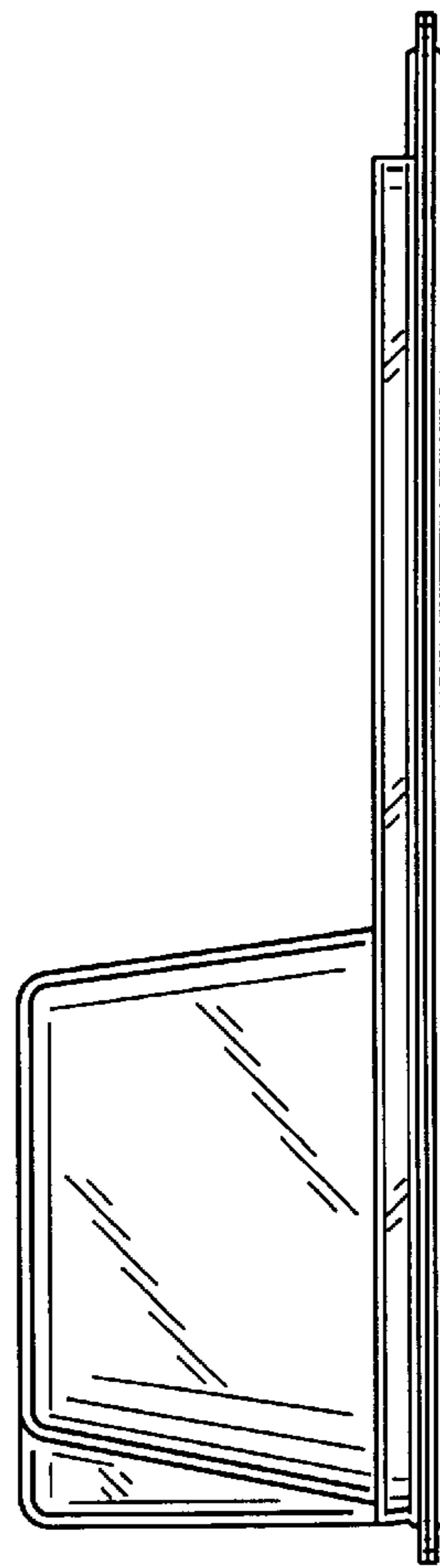


FIG. 5

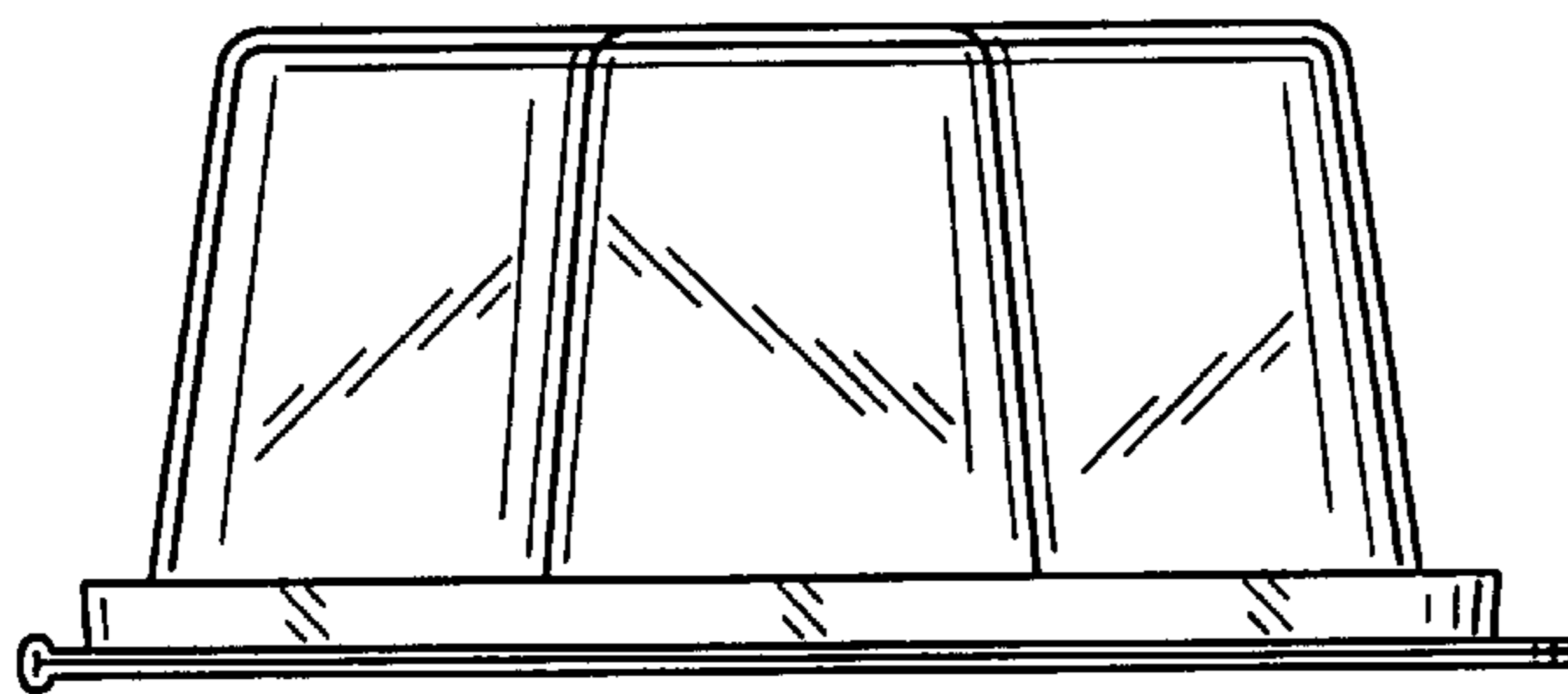


FIG. 6

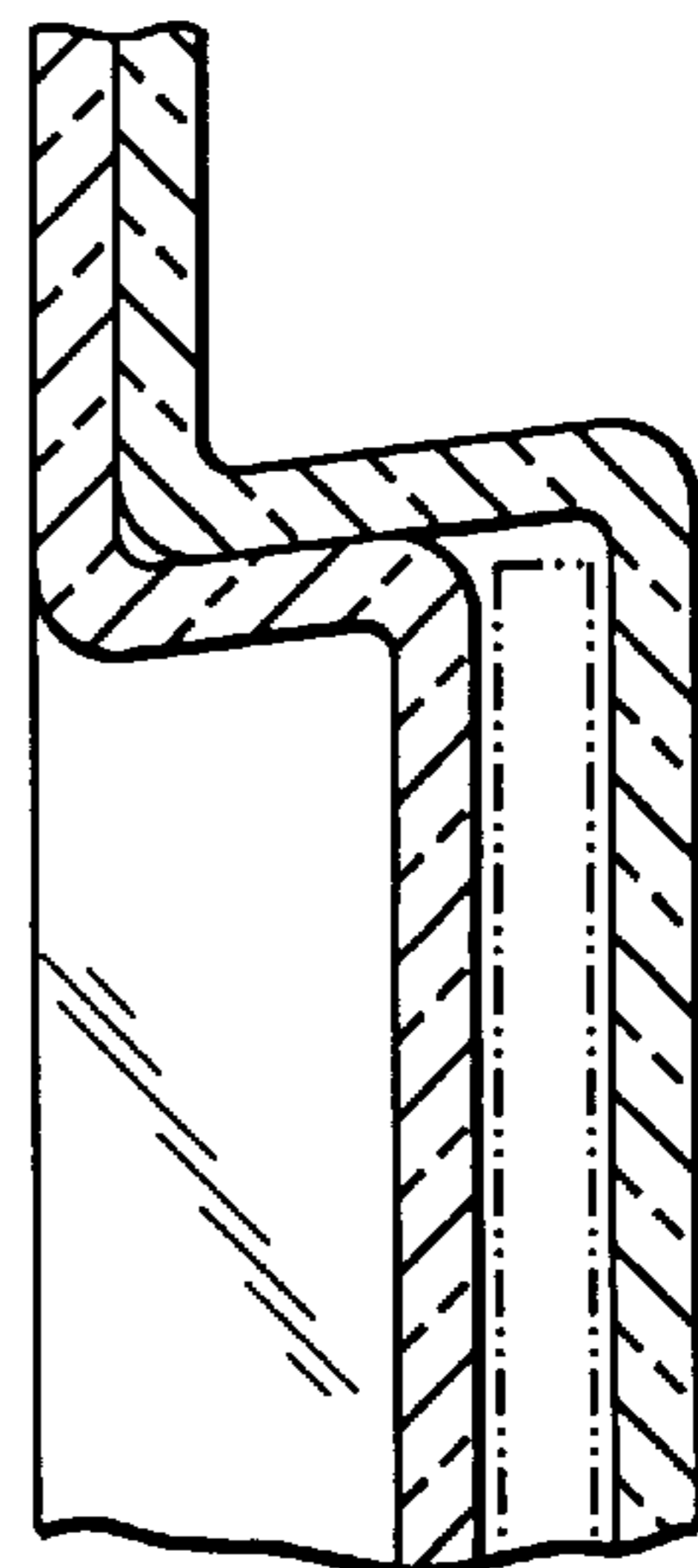


FIG. 10

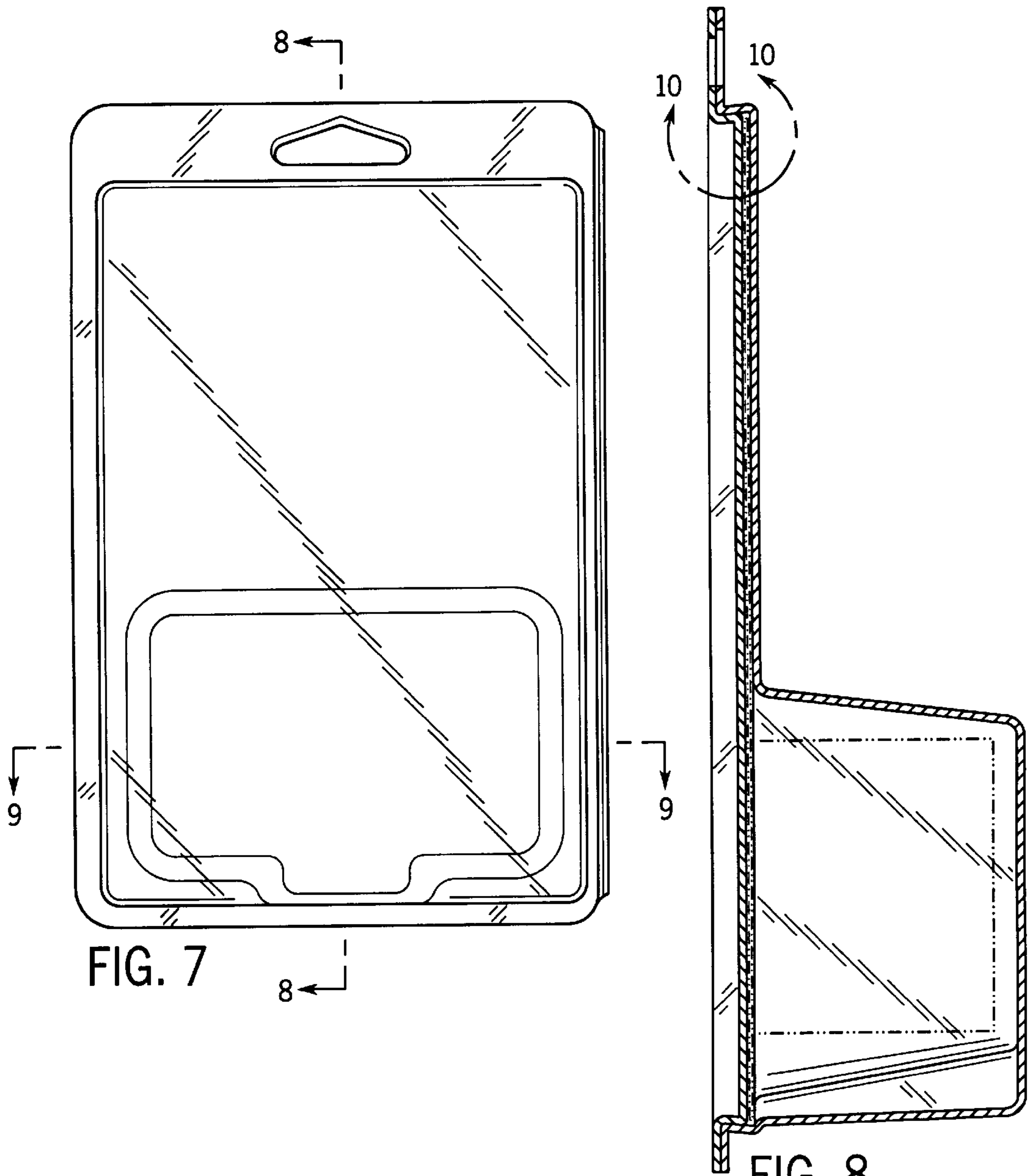


FIG. 7

FIG. 8

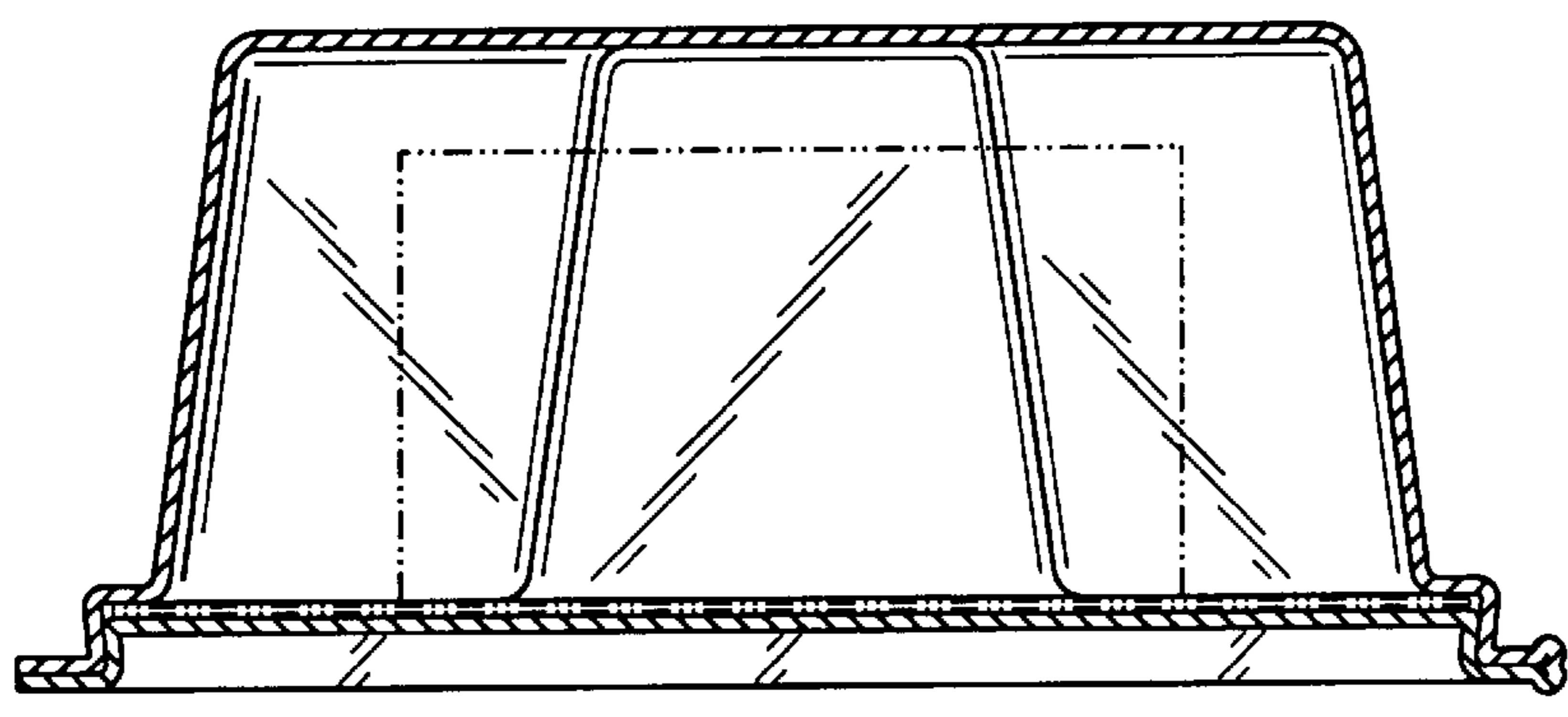


FIG. 9