



US00D441645S

(12) **United States Design Patent**
Longhurst

(10) **Patent No.:** **US D441,645 S**

(45) **Date of Patent:** **** May 8, 2001**

(54) **PACKAGING FOR A BOTTLE**

(75) Inventor: **Richard Nicholas Longhurst,**
Sevenoaks (GB)

(73) Assignee: **Beams Holdings Limited,** West Sussex
(GB)

(**) Term: **14 Years**

(21) Appl. No.: **29/108,403**

(22) Filed: **Jul. 27, 1999**

(30) **Foreign Application Priority Data**

Jan. 27, 1999 (GB) 2080669

(51) **LOC (7) Cl.** **09-03**

(52) **U.S. Cl.** **D9/415; D9/341**

(58) **Field of Search** D9/307, 314, 318,
D9/329, 335, 337, 341, 345, 347, 414-416,
420-421, 423, 425-426, 428, 430-432,
451, 499, 572; 229/92.1, 92.8; 206/461,
468, 471, 472

(56) **References Cited**

U.S. PATENT DOCUMENTS

D. 143,386 * 1/1946 ALtman D9/572

D. 173,640 * 12/1954 Cargill et al. D9/307

D. 173,718 * 12/1954 Cargill et al. D9/416
D. 173,933 * 2/1955 Cargill et al. D9/416
D. 216,306 * 12/1969 Dutch D9/345
D. 222,237 * 10/1971 Schmit D9/416
D. 234,261 * 2/1975 Walton D9/345
D. 271,943 * 12/1983 Beise et al. D9/415
D. 292,879 * 11/1987 Smith D9/345
D. 312,655 * 12/1990 Faiola et al. D19/2

* cited by examiner

Primary Examiner—Ted Shooman

Assistant Examiner—Carol Rademaker

(74) *Attorney, Agent, or Firm*—Dean W. Russell; Kilpatrick
Stockton LLP

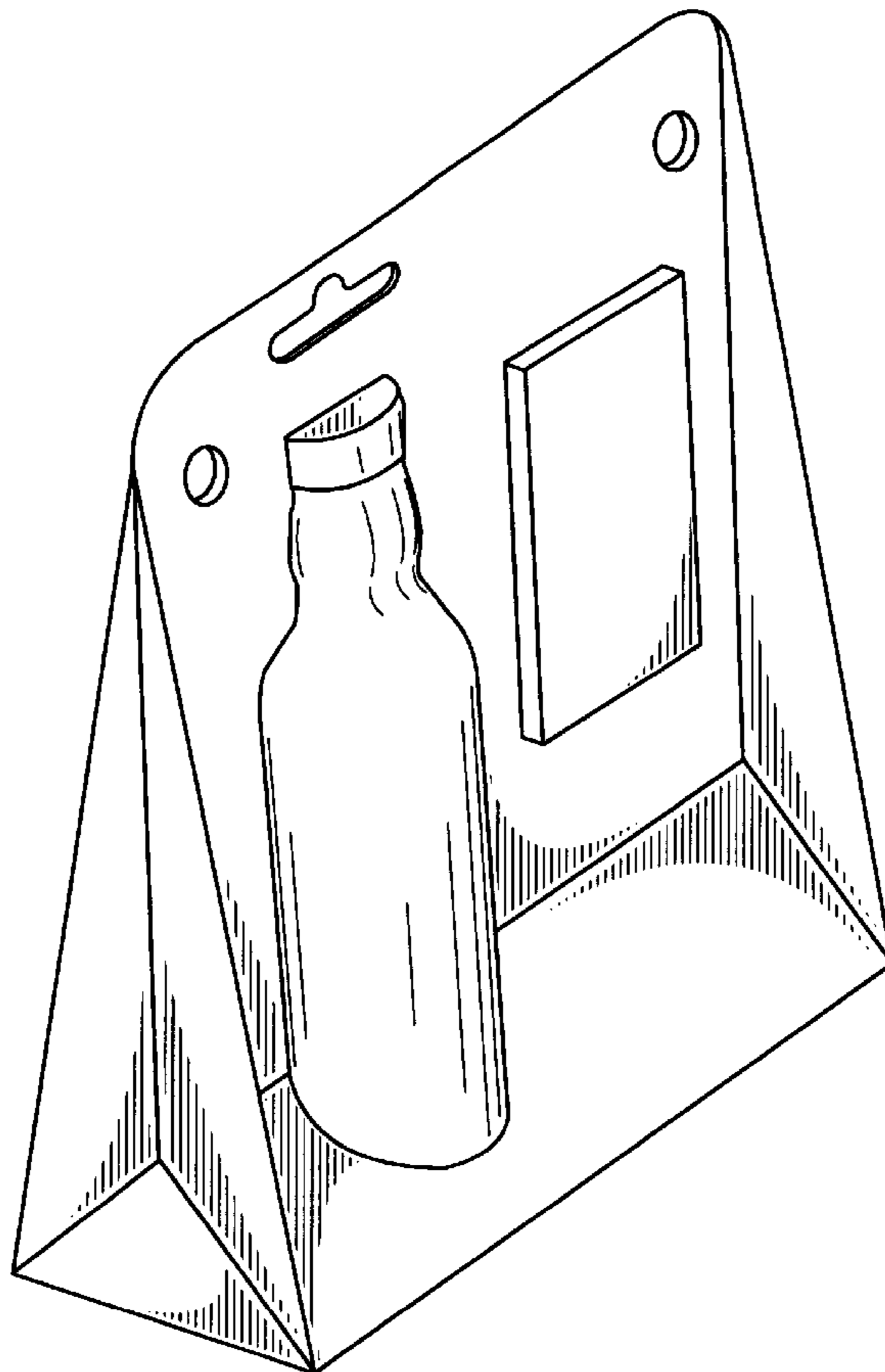
(57) **CLAIM**

The ornamental design for packaging for a bottle, as shown
and described.

DESCRIPTION

FIG. 1 is a perspective view of packaging for a bottle
showing the top, one side, and front of my new design, the
other side and rear corresponding to the portions shown;
FIG. 2 is a perspective view of the packaging of FIG. 1
shown in an opened condition and on a reduced scale; and,
FIG. 3 is a plan view of the bottom of the packaging of FIG.
1, shown on an enlarged scale.

1 Claim, 2 Drawing Sheets



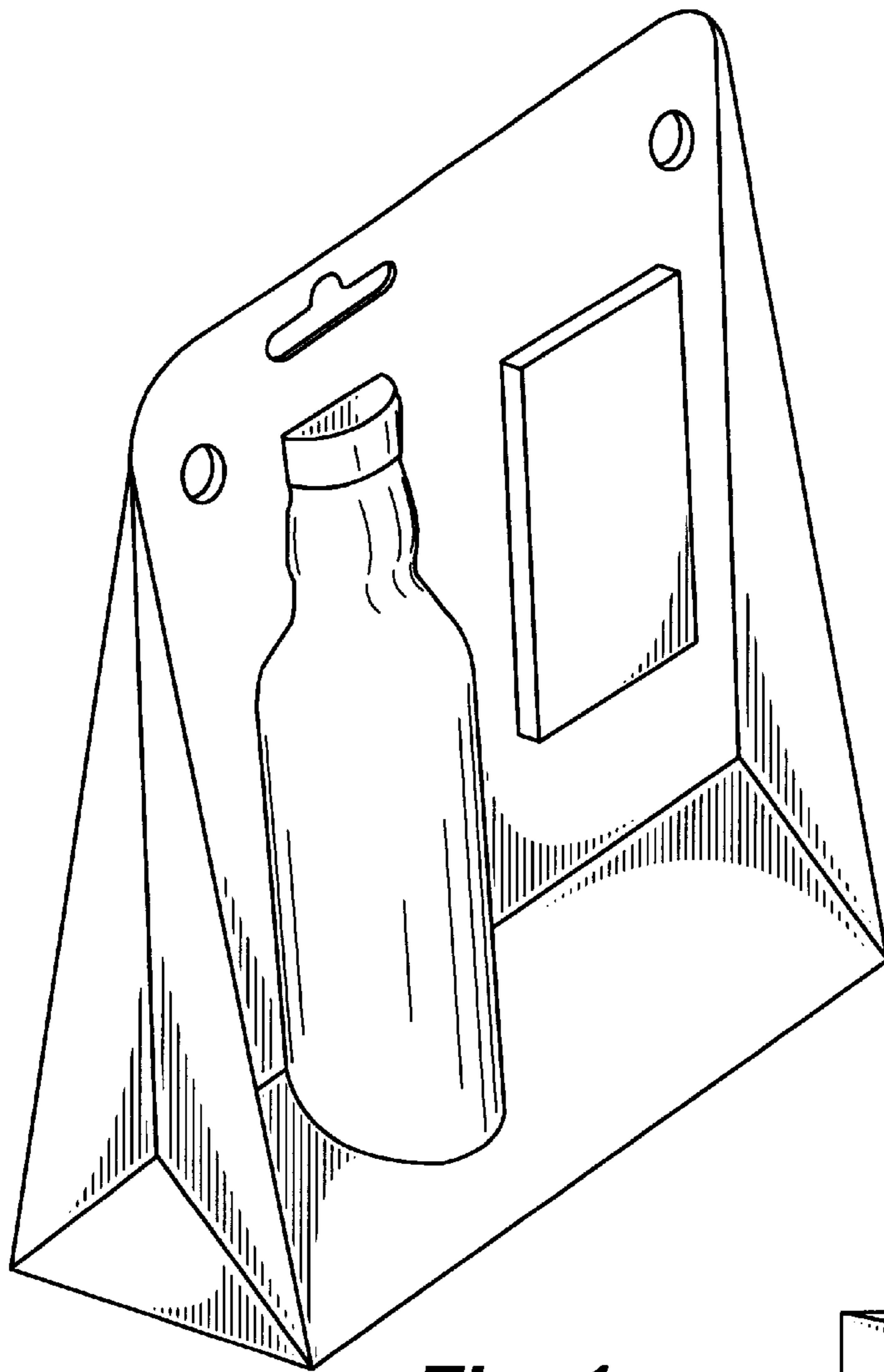


Fig. 1

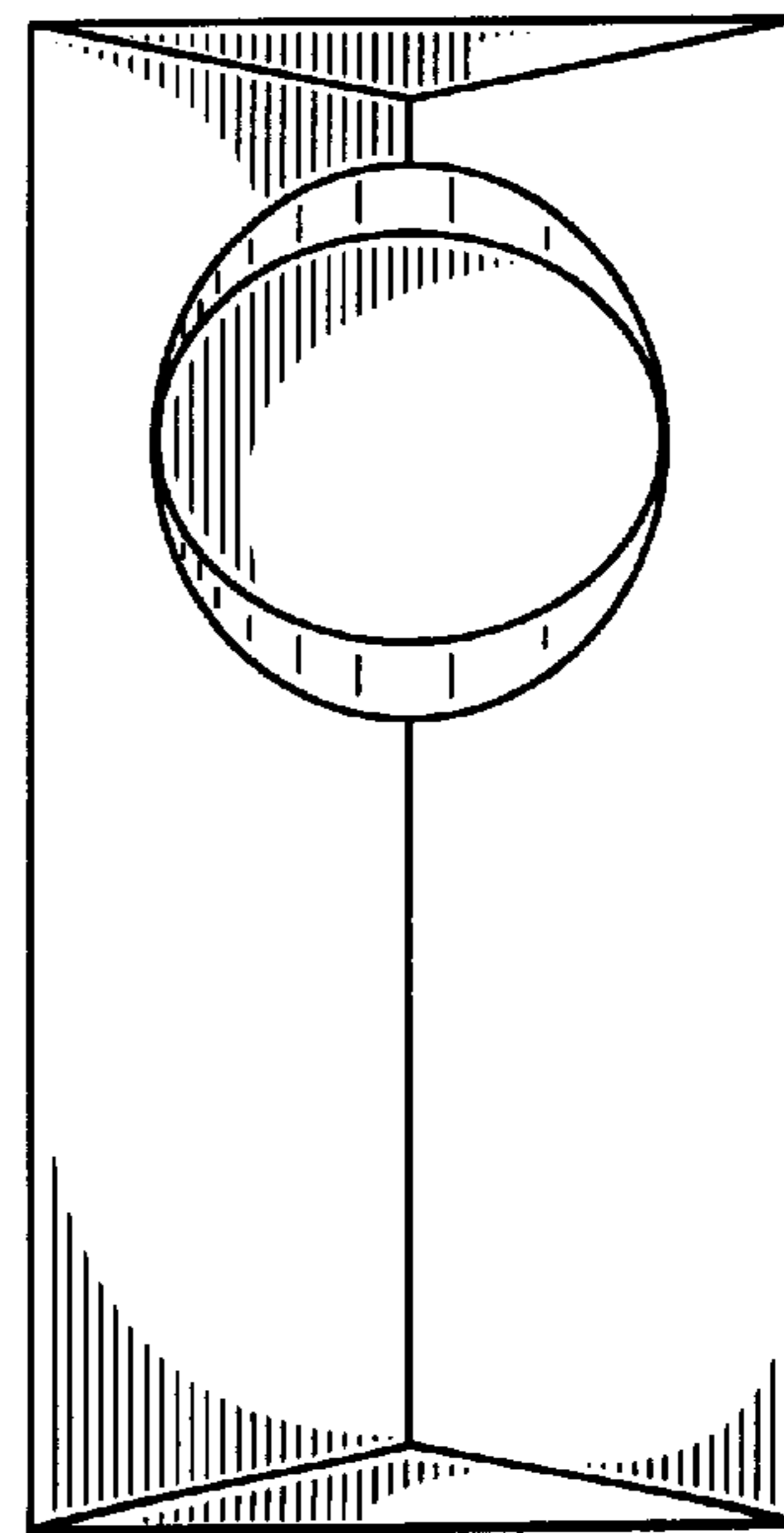


Fig. 3

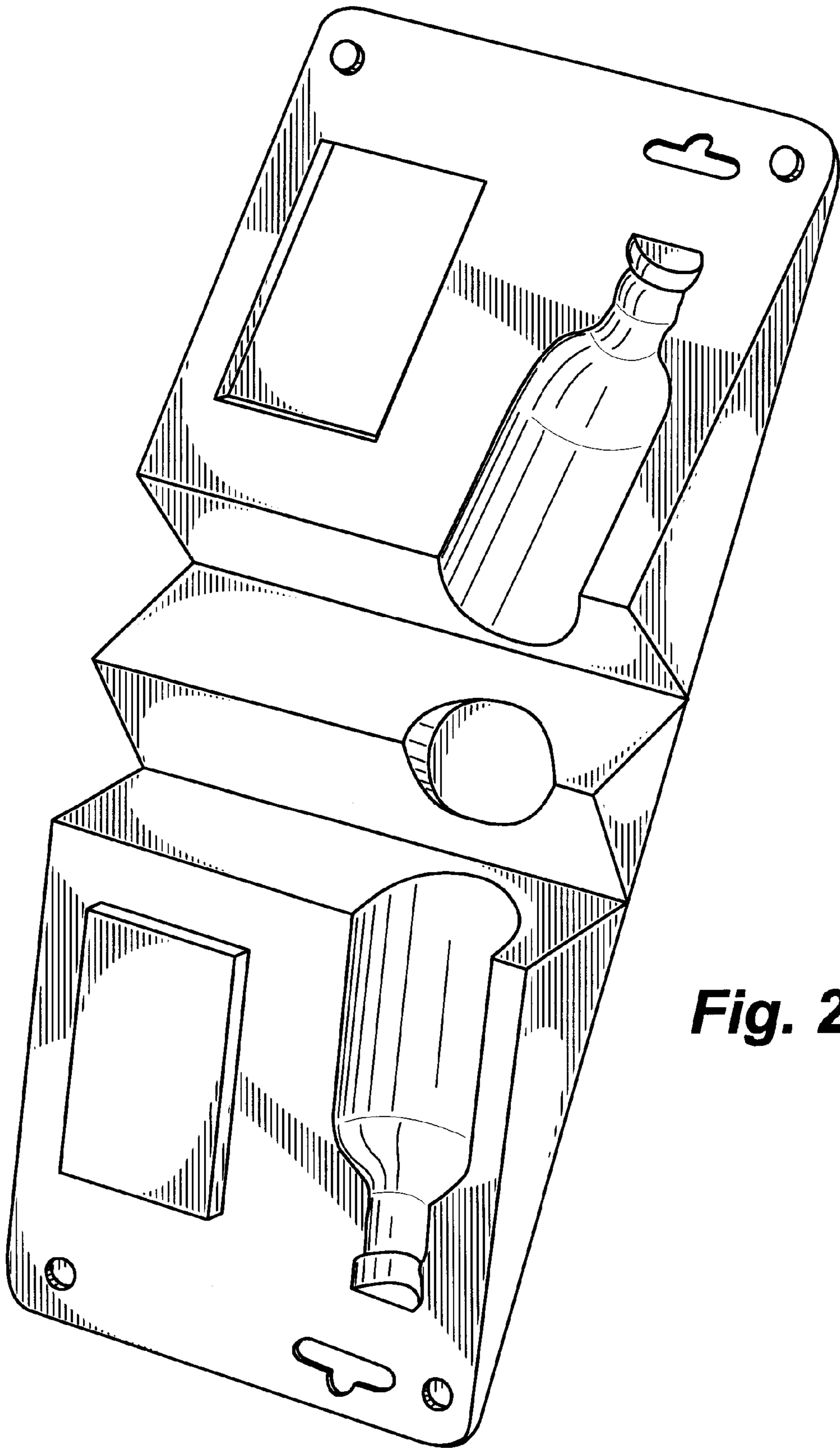


Fig. 2