



US00D441641S

(12) **United States Design Patent**
Piccioli et al.

(10) **Patent No.:** **US D441,641 S**

(45) **Date of Patent:** **** May 8, 2001**

(54) **BOTTLE**

(75) Inventors: **David P. Piccioli**, Auburn; **Suppayan M. Krishnakumar**, Nashua; **Wayne N. Collette**, Merrimack, all of NH (US); **Gerald Zboch**, Barrington; **Jennifer Macritchie**, Winnetka, both of IL (US)

(73) Assignee: **Stokely-Van Camp, Inc.**, Chicago, IL (US)

(**) Term: **14 Years**

(21) Appl. No.: **29/102,540**

(22) Filed: **Mar. 26, 1999**

(51) **LOC (7) Cl.** **09-01**

(52) **U.S. Cl.** **D9/307**

(58) **Field of Search** D9/307, 538-540,
D9/553; 215/381-384, 400

(56) **References Cited**

U.S. PATENT DOCUMENTS

D. 159,616	8/1950	Hoffman .	
D. 183,040	6/1958	Du Pree .	
D. 240,593	7/1976	Koenigsberg .	
D. 293,890	1/1988	Rogler	D9/390
D. 294,224	2/1988	Rogler et al.	D9/349
D. 294,463	3/1988	Lang	D9/392
D. 294,678	3/1988	Papa	D9/392
D. 295,381	4/1988	Papa	D9/392
D. 295,382	4/1988	Rogler	D9/392
D. 308,482	6/1990	Wild	D9/401
D. 320,154	9/1991	Alberghini et al.	D9/370
D. 321,830	11/1991	York et al.	D9/434
D. 345,693	4/1994	Edstrom	D9/332
D. 381,272	7/1997	Coons	D9/540

D. 384,888	10/1997	Diekhoff	D9/500
D. 397,614	9/1998	Krishnakumar et al.	D9/520
D. 398,539	9/1998	Guislain	D9/564
D. 430,493	9/1999	Herr et al.	D9/537
4,818,575	4/1989	Hirata et al.	215/1 C
4,877,141	10/1989	Hayashi et al.	215/1 C
4,907,709	3/1990	Abe et al.	215/252
5,064,081	11/1991	Hayashi et al.	215/1 C
5,178,289	* 1/1993	Krishnakumar et al.	215/382
5,199,588	* 4/1993	Hayashi	215/381
5,704,503	* 1/1998	Krishnakumar et al.	215/382
5,762,221	* 6/1998	Tobias et al.	215/381
5,971,184	10/1999	Krishnakumar et al.	215/384

* cited by examiner

Primary Examiner—Terry A. Wallace

(74) *Attorney, Agent, or Firm*—Lars S. Johnson

(57) **CLAIM**

The ornamental design for a bottle, as shown and described.

DESCRIPTION

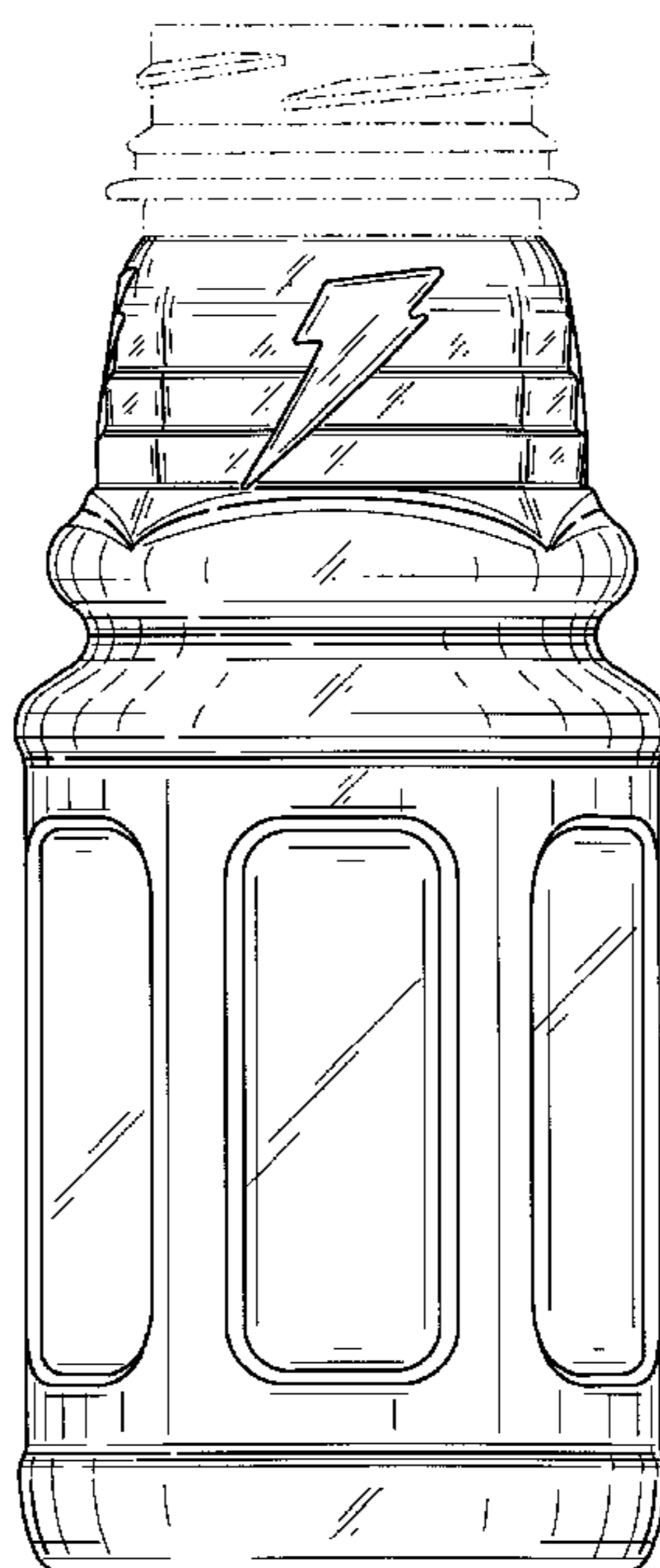
FIG. 1 is a perspective view of a bottle showing a new design;

FIG. 2 is a front elevational view of the bottle depicted in FIG. 1, the opposite rear elevational view being identical; FIG. 3 is a side elevational view of the bottle depicted in FIG. 2, representing a partial rotation of the bottle about its vertical center axis from the front elevational view depicted in FIG. 2, the opposite side elevational view being identical; FIG. 4 is a top plan view of the bottle depicted in FIG. 2; and,

FIG. 5 is a bottom plan view of the bottle depicted in FIG. 2.

The broken line environmental showing is for illustrative purposes only and does not form part of the claimed design.

1 Claim, 2 Drawing Sheets



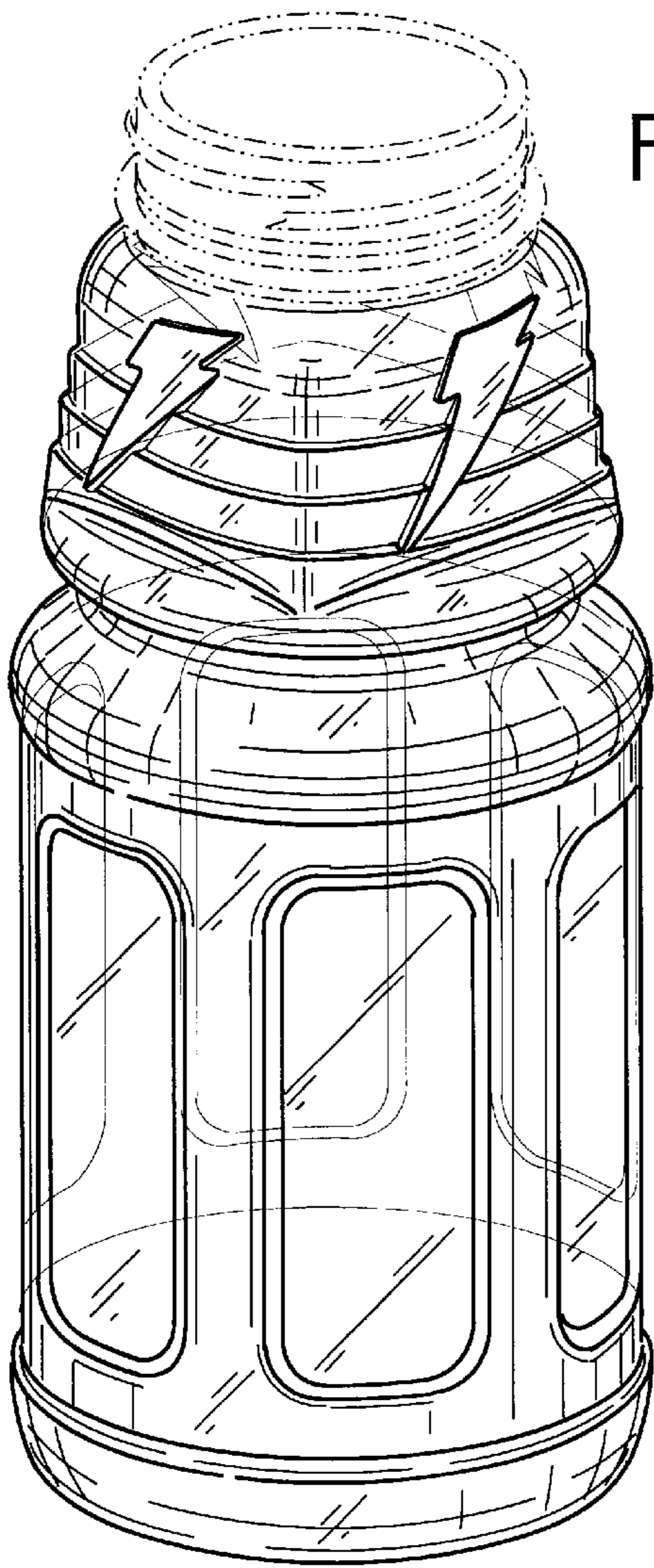


FIG. 1

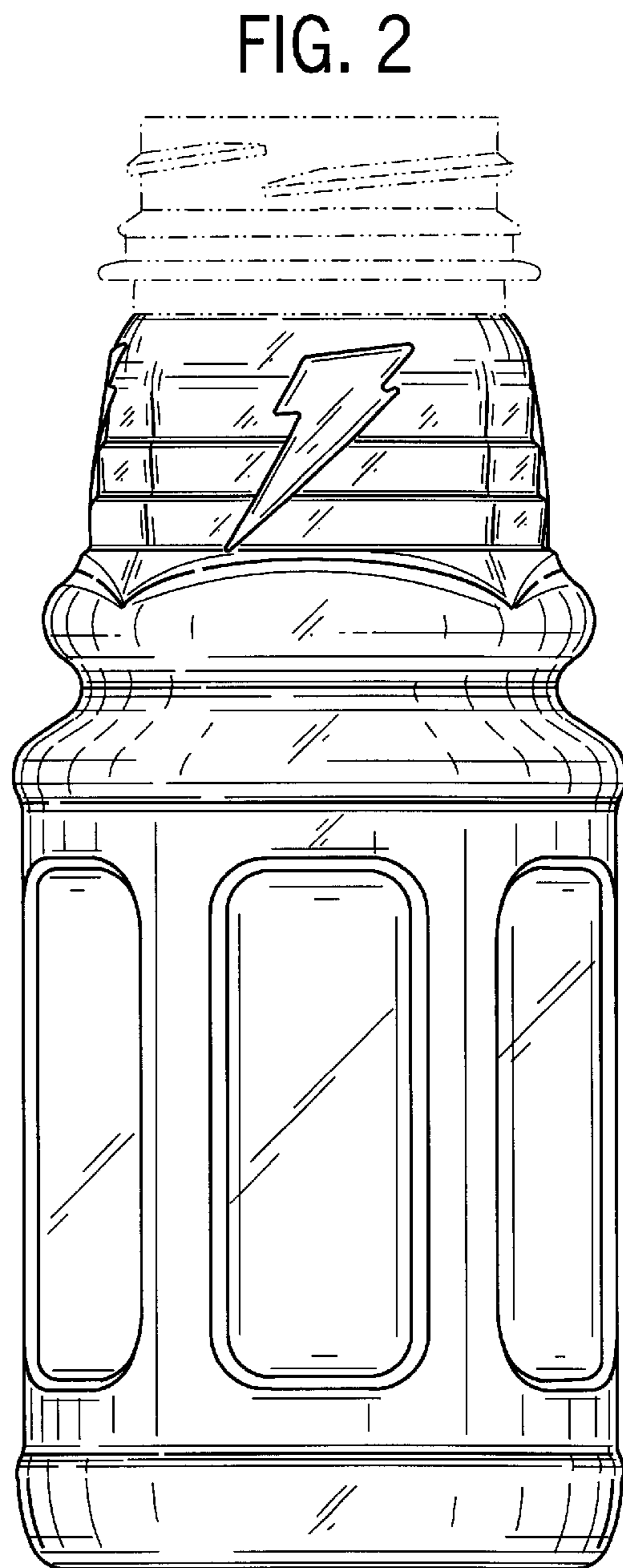


FIG. 2

FIG. 3

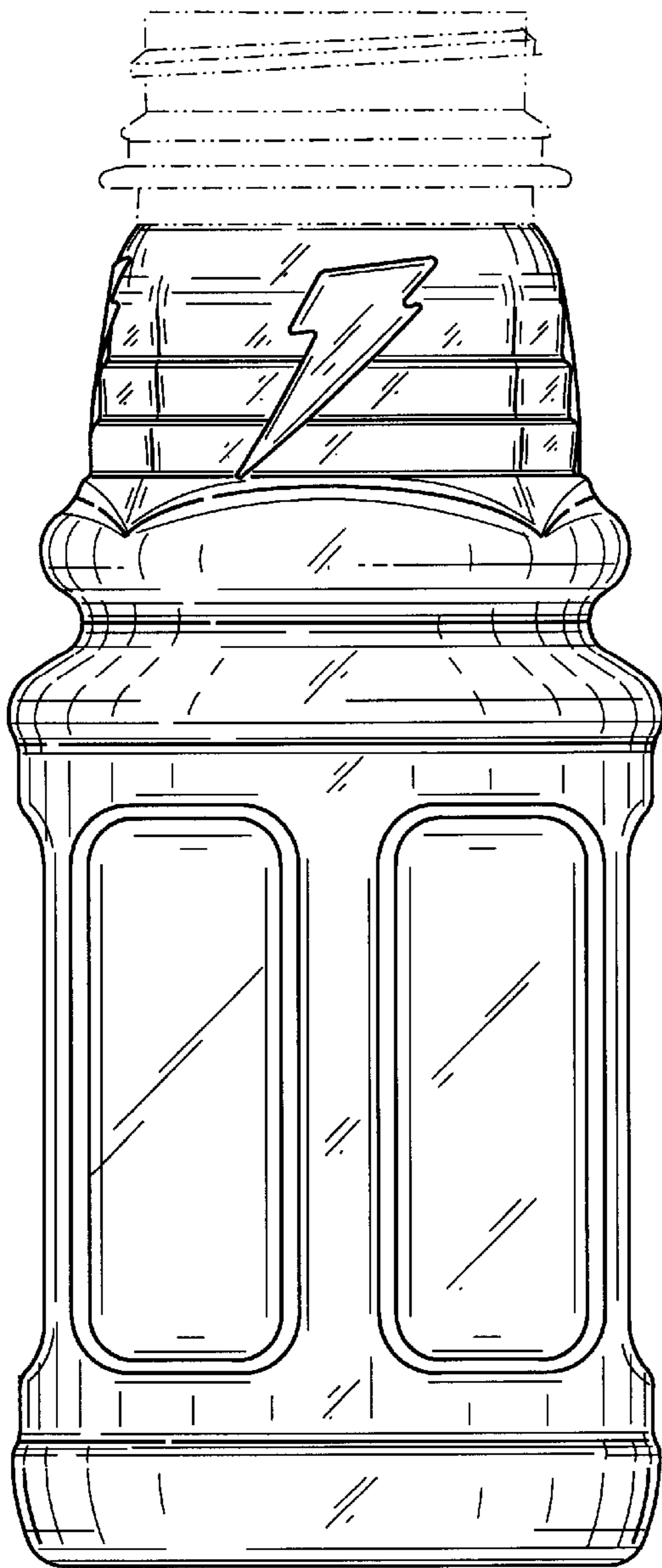


FIG. 4

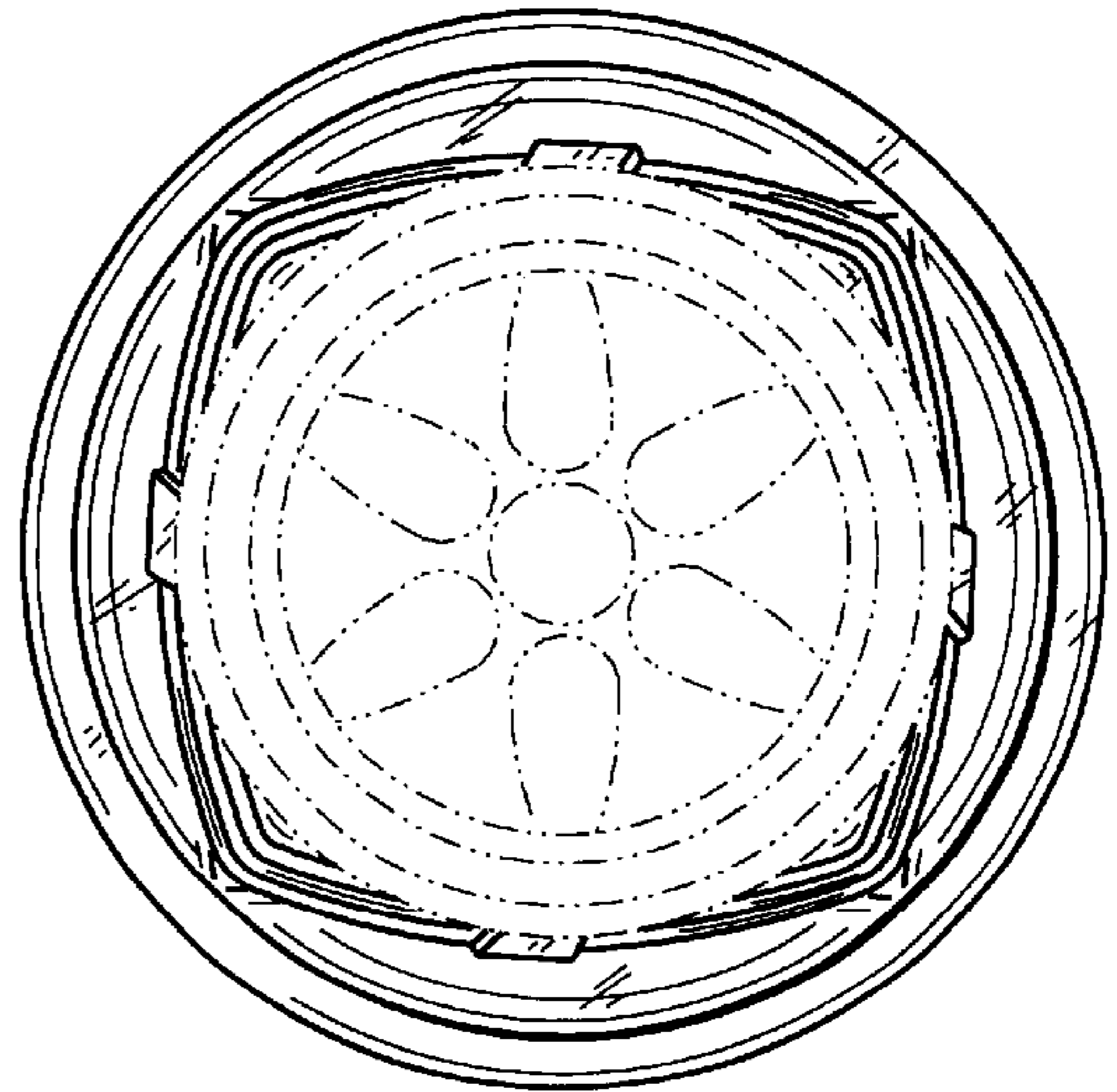


FIG. 5

