



US00D441639S

(12) **United States Design Patent**
Reiter

(10) **Patent No.:** **US D441,639 S**

(45) **Date of Patent:** **** May 8, 2001**

- (54) **MAGNETIC SNAP FASTENER**
- (75) Inventor: **Howard J. Reiter**, Orange, CT (US)
- (73) Assignee: **Romag Fasteners Inc.**, Orange, CT (US)
- (**) Term: **14 Years**
- (21) Appl. No.: **29/133,137**
- (22) Filed: **Nov. 27, 2000**

Related U.S. Application Data

- (62) Division of application No. 29/125,153, filed on Jun. 16, 2000.
- (51) **LOC (7) Cl.** **08-08**
- (52) **U.S. Cl.** **D8/382**
- (58) **Field of Search** D8/382, 383, 373, D8/349, 354; D11/200-220, 224, 231; 24/303, 201

(56) **References Cited**

U.S. PATENT DOCUMENTS

- D. 360,391 * 7/1995 Aoki D11/220
- D. 375,061 * 10/1996 Morita D11/220
- D. 403,952 * 1/1999 Podell D8/382
- D. 404,997 * 2/1999 Podell D8/382

* cited by examiner

Primary Examiner—Louis S. Zarfaz
Assistant Examiner—Catherine R. Oliver
(74) *Attorney, Agent, or Firm*—Cooper & Dunham LLP

(57) **CLAIM**

I claim the ornamental design of a magnetic snap fastener, as shown and described.

DESCRIPTION

FIG. 1 is an exploded top perspective view of a magnetic snap fastener in accordance with one embodiment of the invention;

FIG. 2 is an exploded bottom perspective view of the embodiment of FIG. 1;

FIG. 3 is a top view of the embodiment of FIG. 1;

FIG. 4 is a bottom view of the embodiment of FIG. 1;

FIG. 5 is a front exploded view of the embodiment of FIG. 1, the rear being a mirror image thereof;

FIG. 6 is a side exploded view of the embodiment of FIG. 1, the opposite side being a mirror image thereof;

FIG. 7 is an exploded top perspective view of a magnetic snap fastener in accordance with a second embodiment of the invention;

FIG. 8 is an exploded bottom perspective view of the embodiment of FIG. 7;

FIG. 9 is a top view of the embodiment of FIG. 7;

FIG. 10 is a bottom view of the embodiment of FIG. 7;

FIG. 11 is a front exploded view of the embodiment of FIG. 7, the rear being a mirror image thereof; and,

FIG. 12 is a side exploded view of the embodiment of FIG. 7, the opposite side being a mirror image thereof.

1 Claim, 2 Drawing Sheets

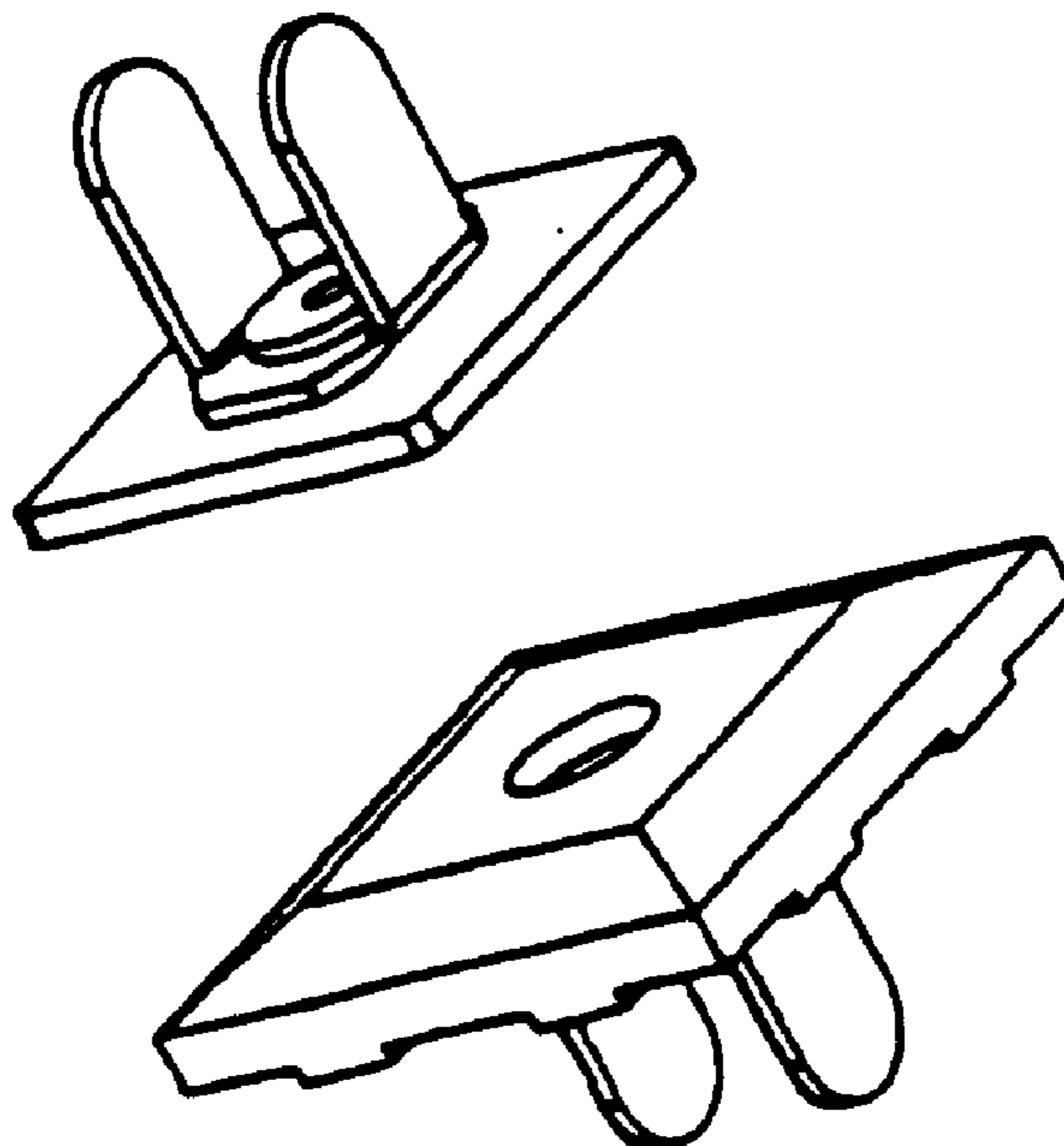


FIGURE 1

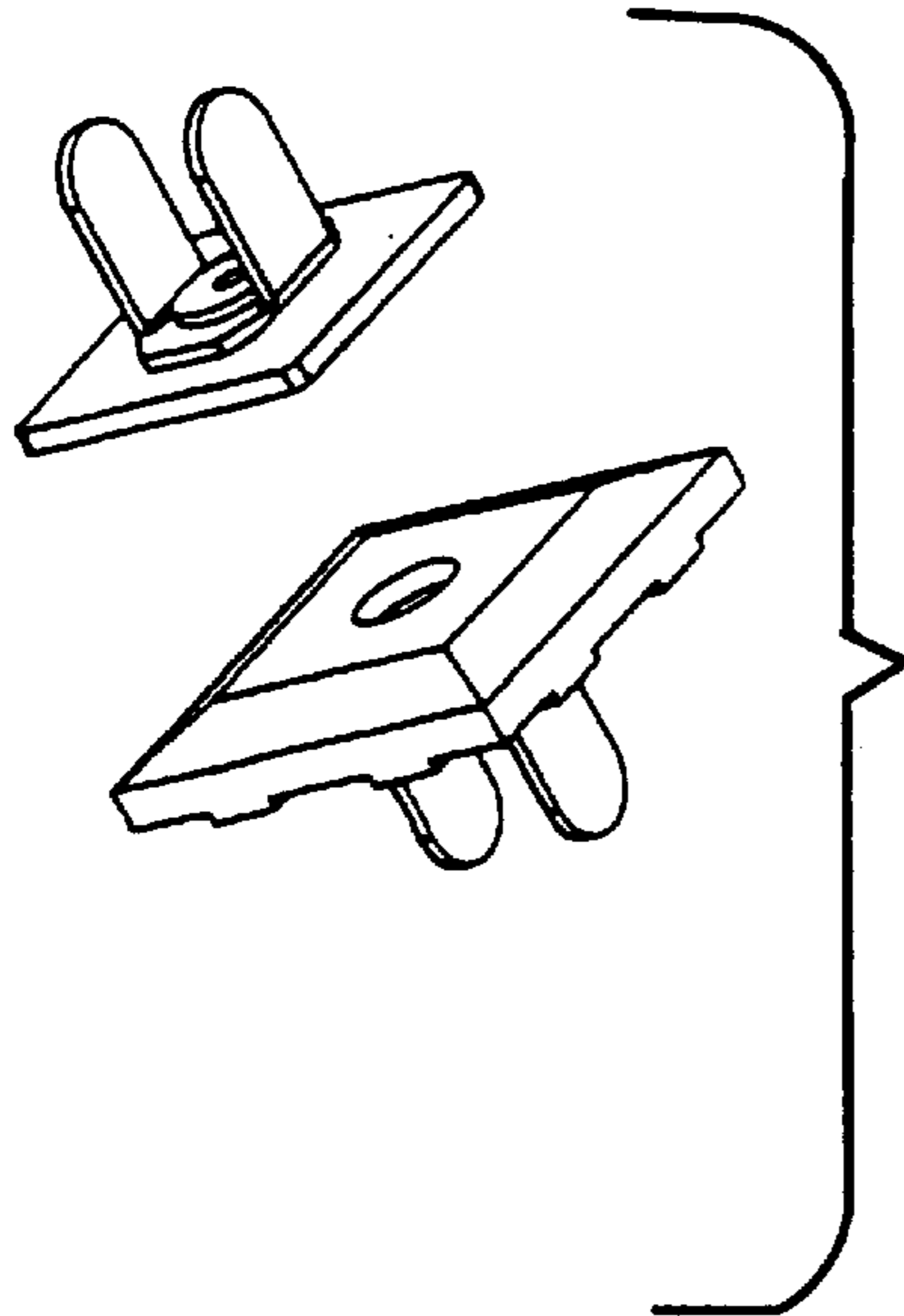


FIGURE 2

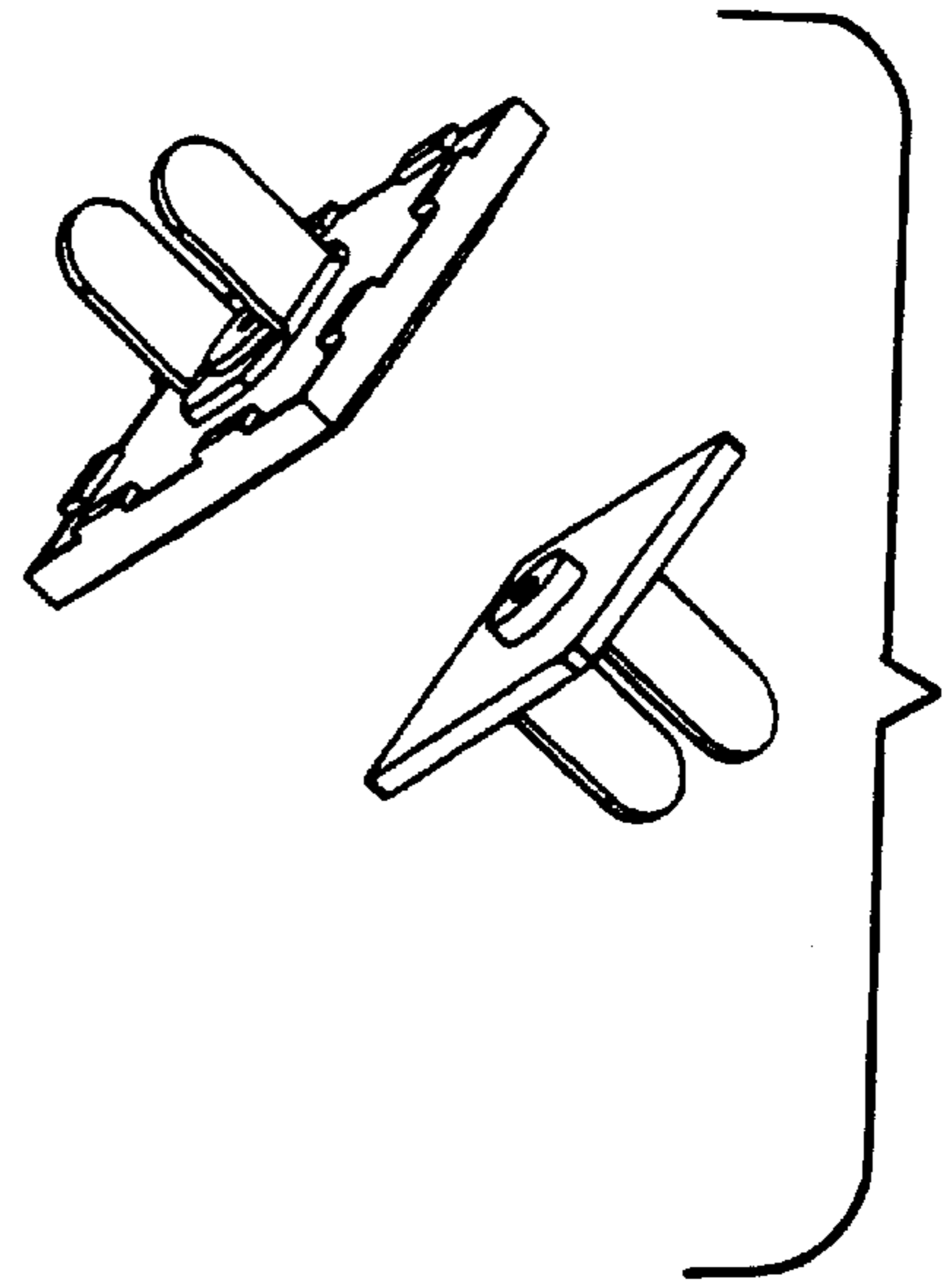


FIGURE 3

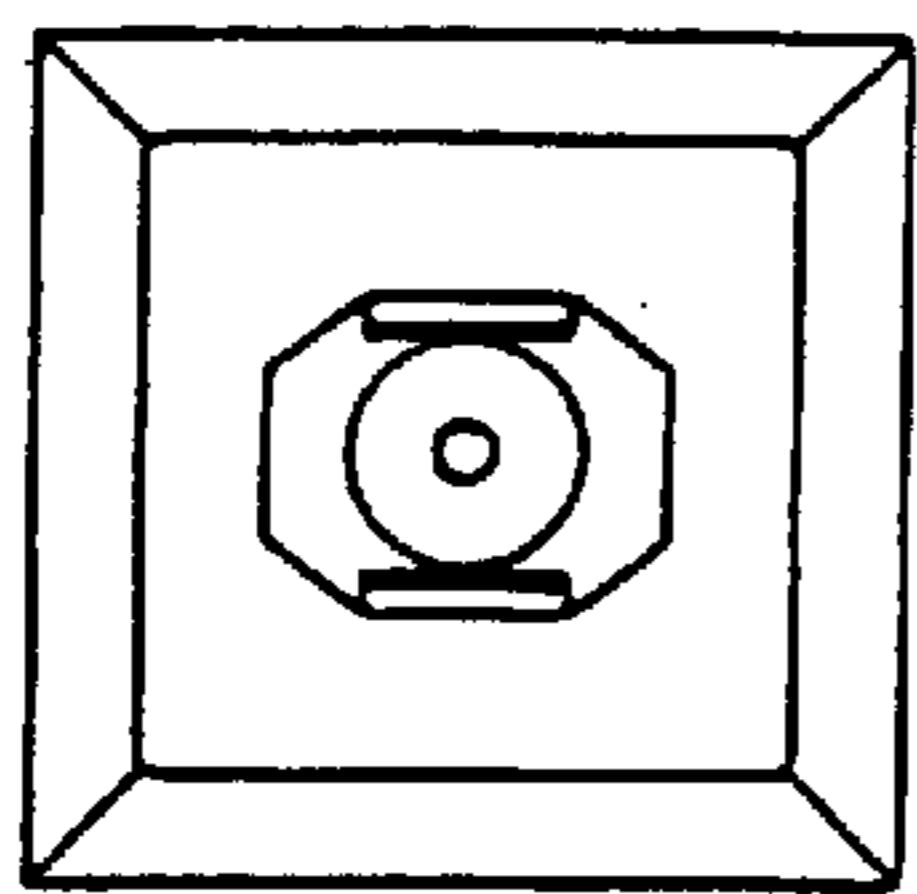


FIGURE 4

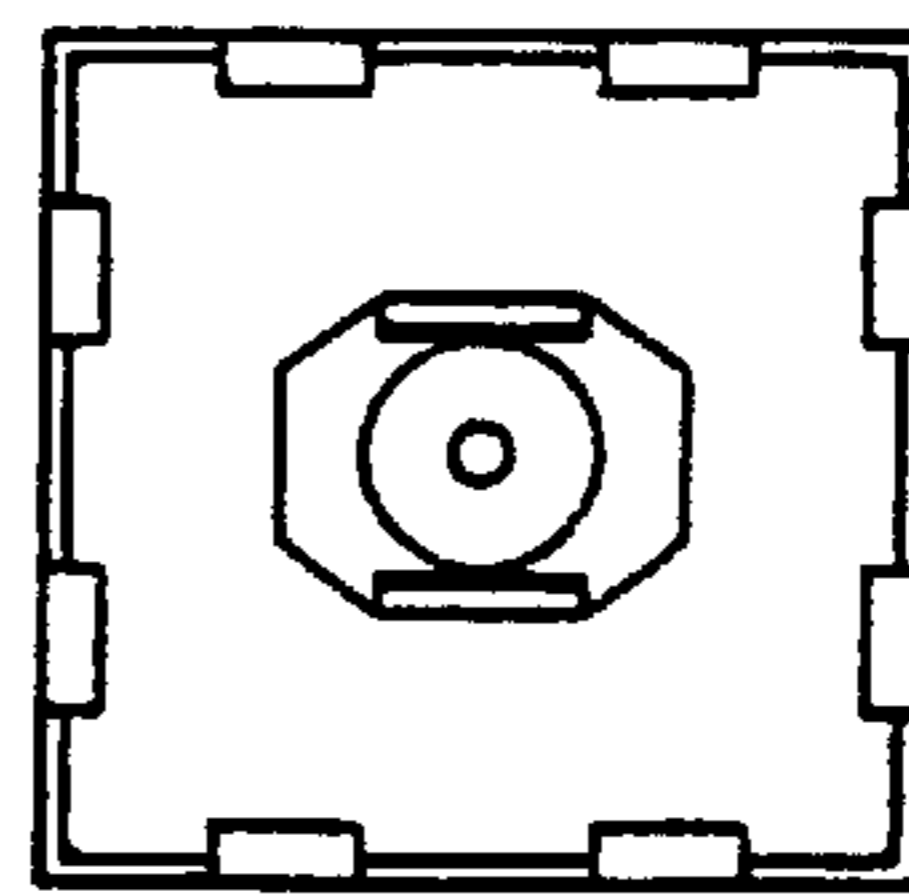


FIGURE 5

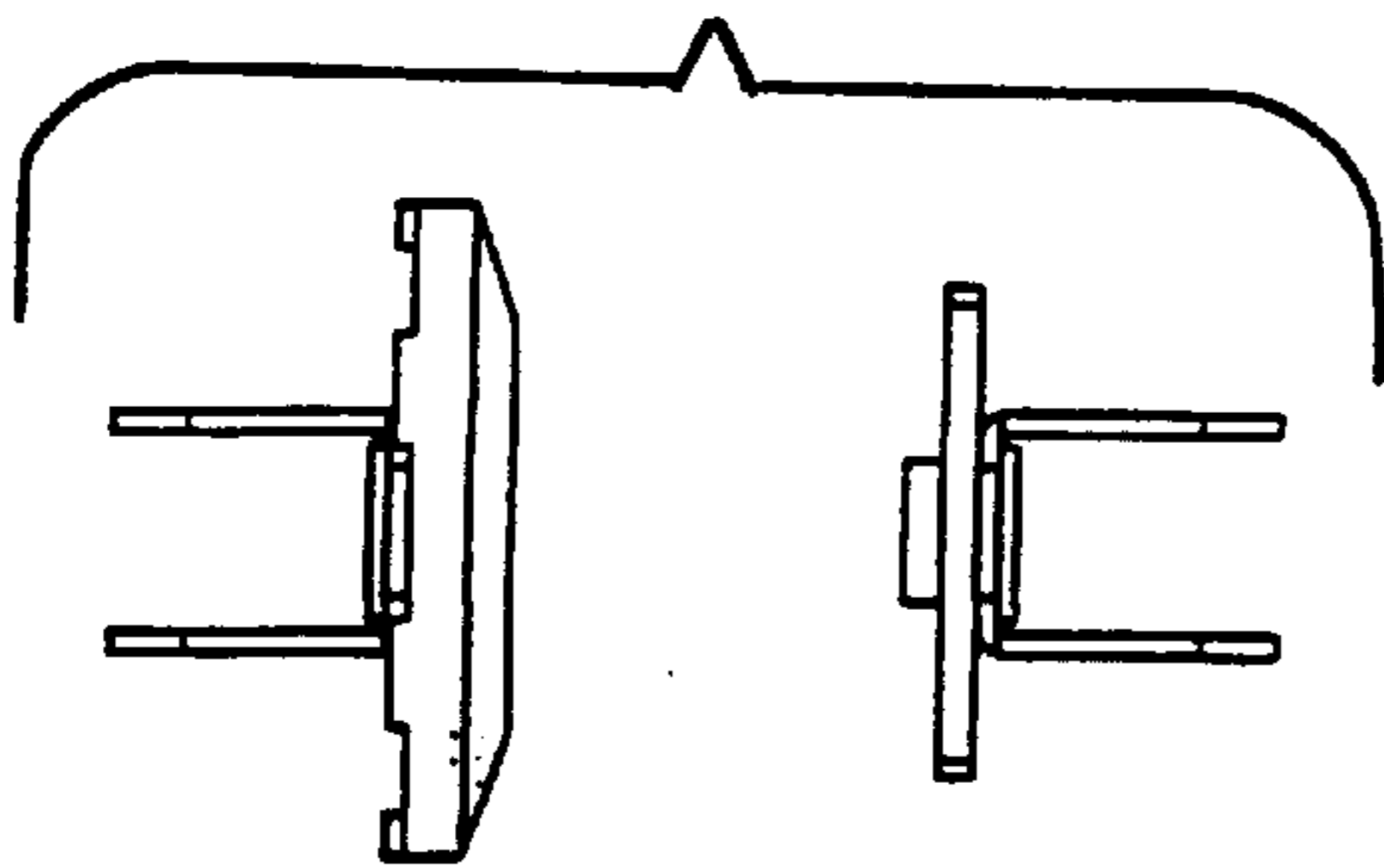


FIGURE 6

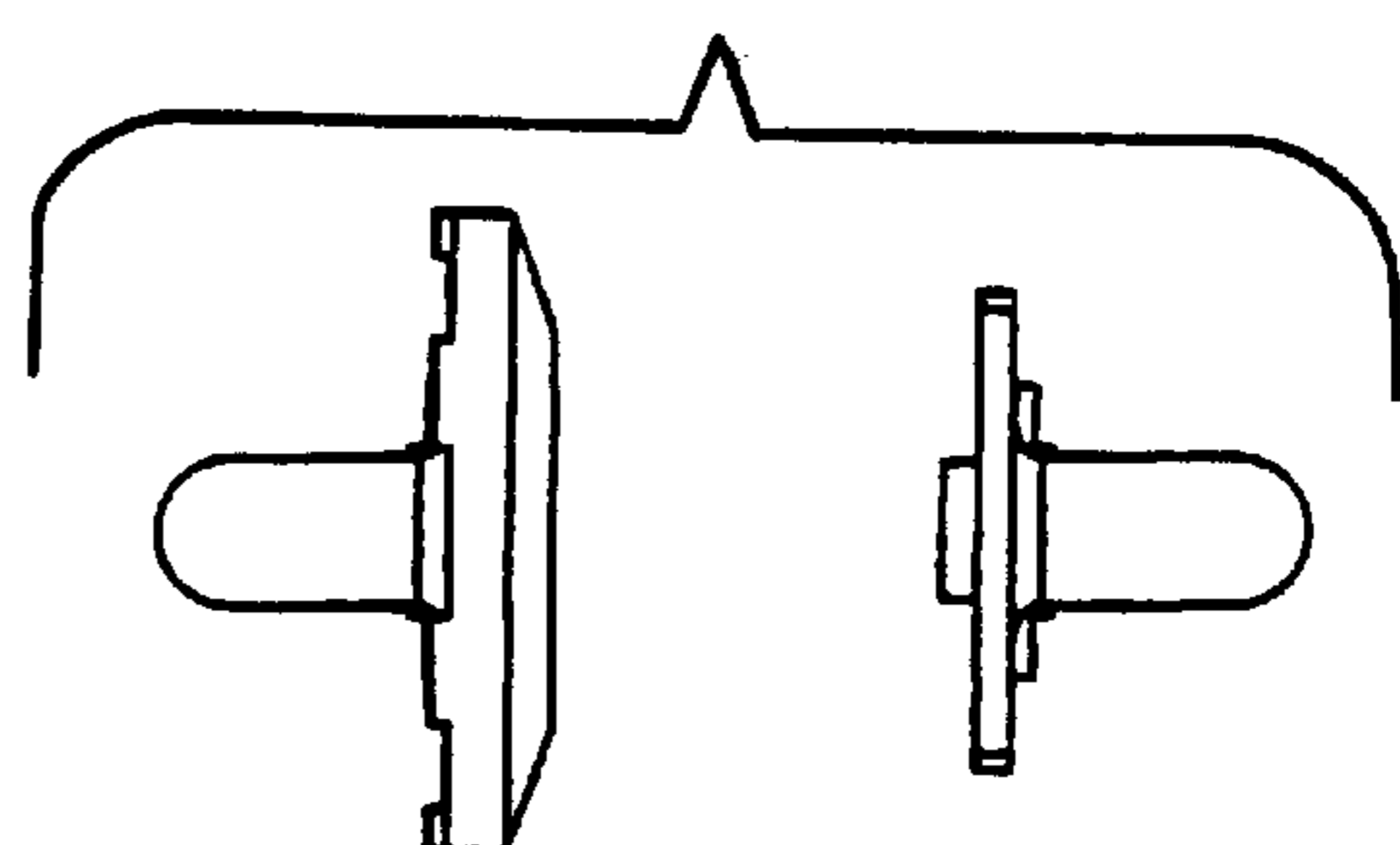


FIGURE 7

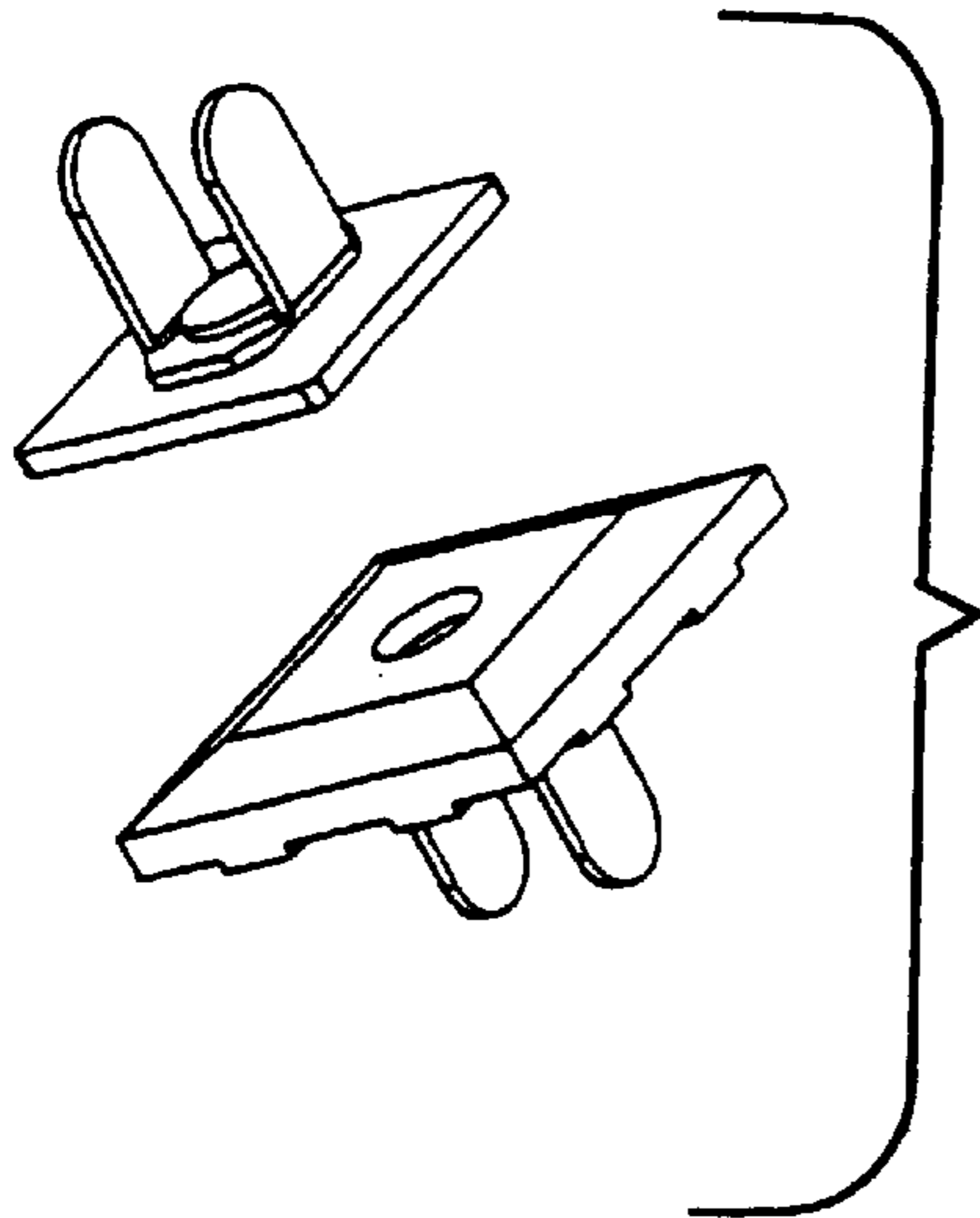


FIGURE 8

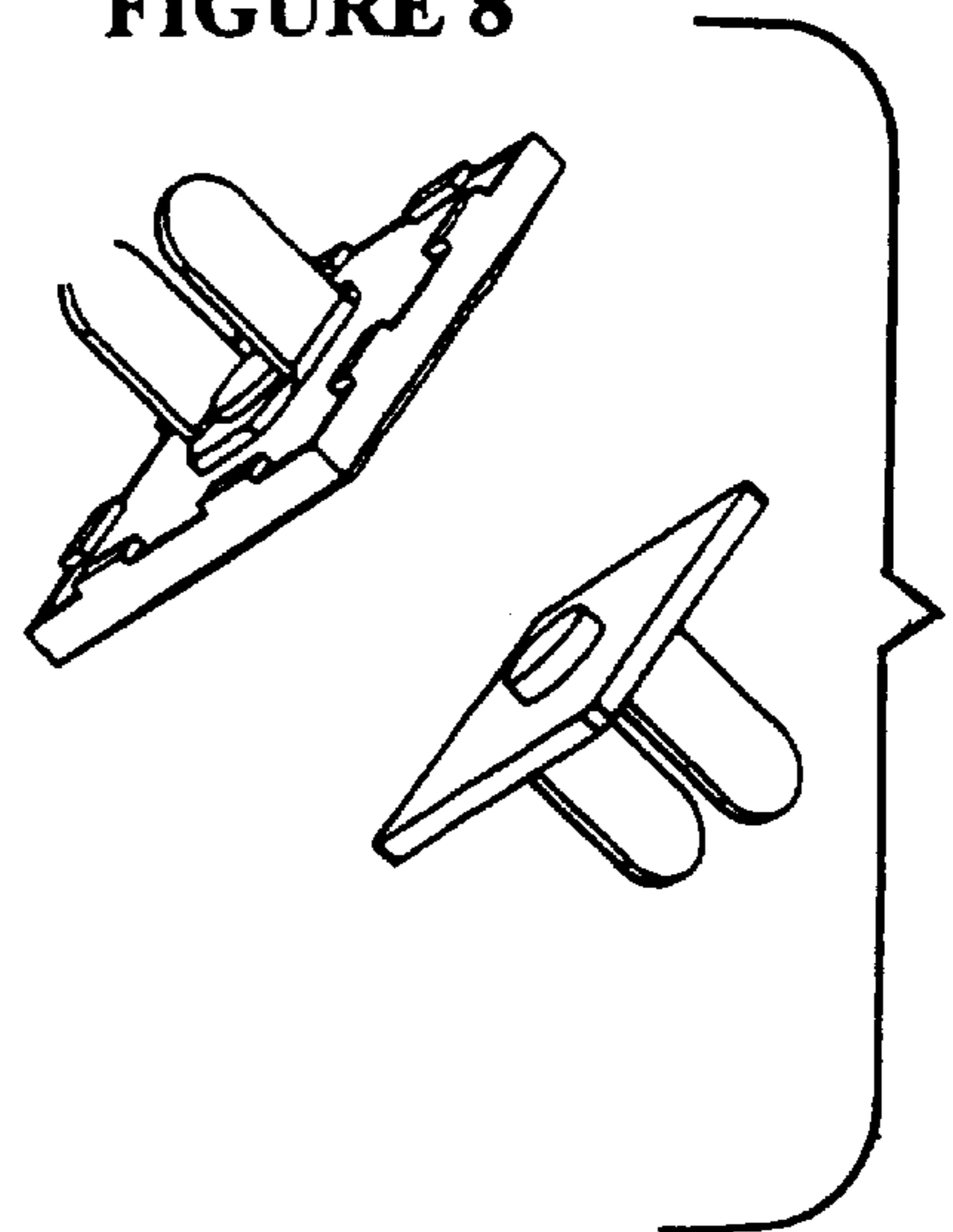


FIGURE 9

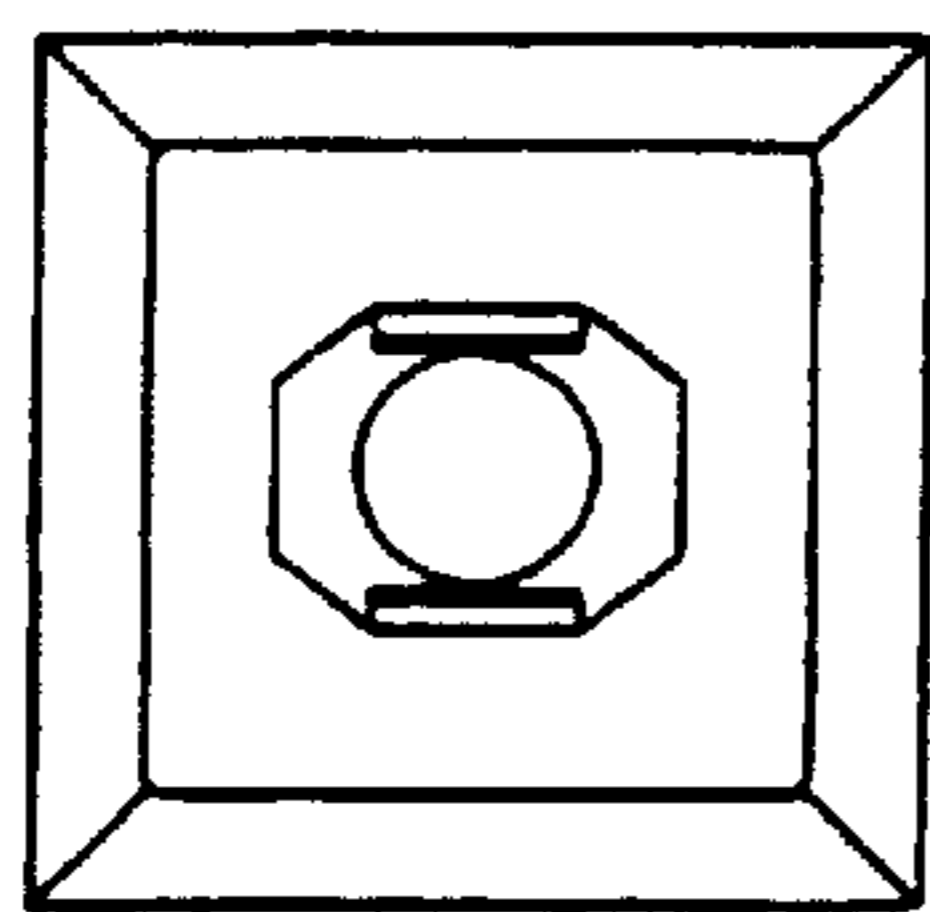


FIGURE 10

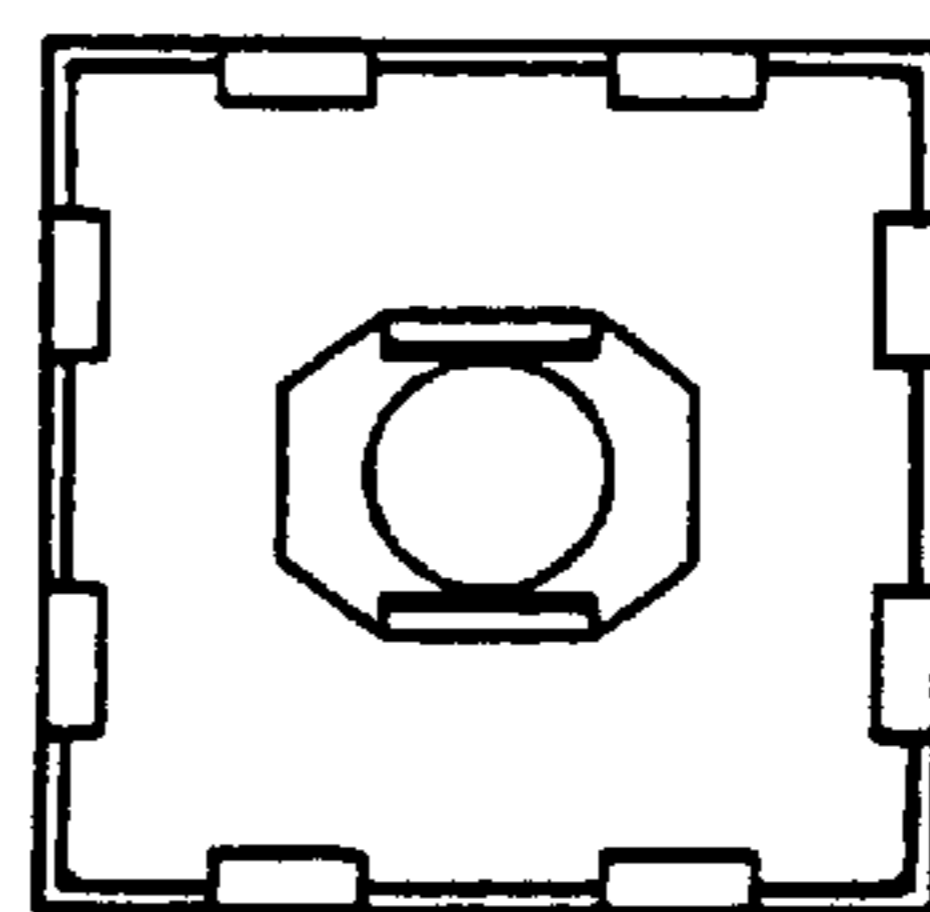


FIGURE 11

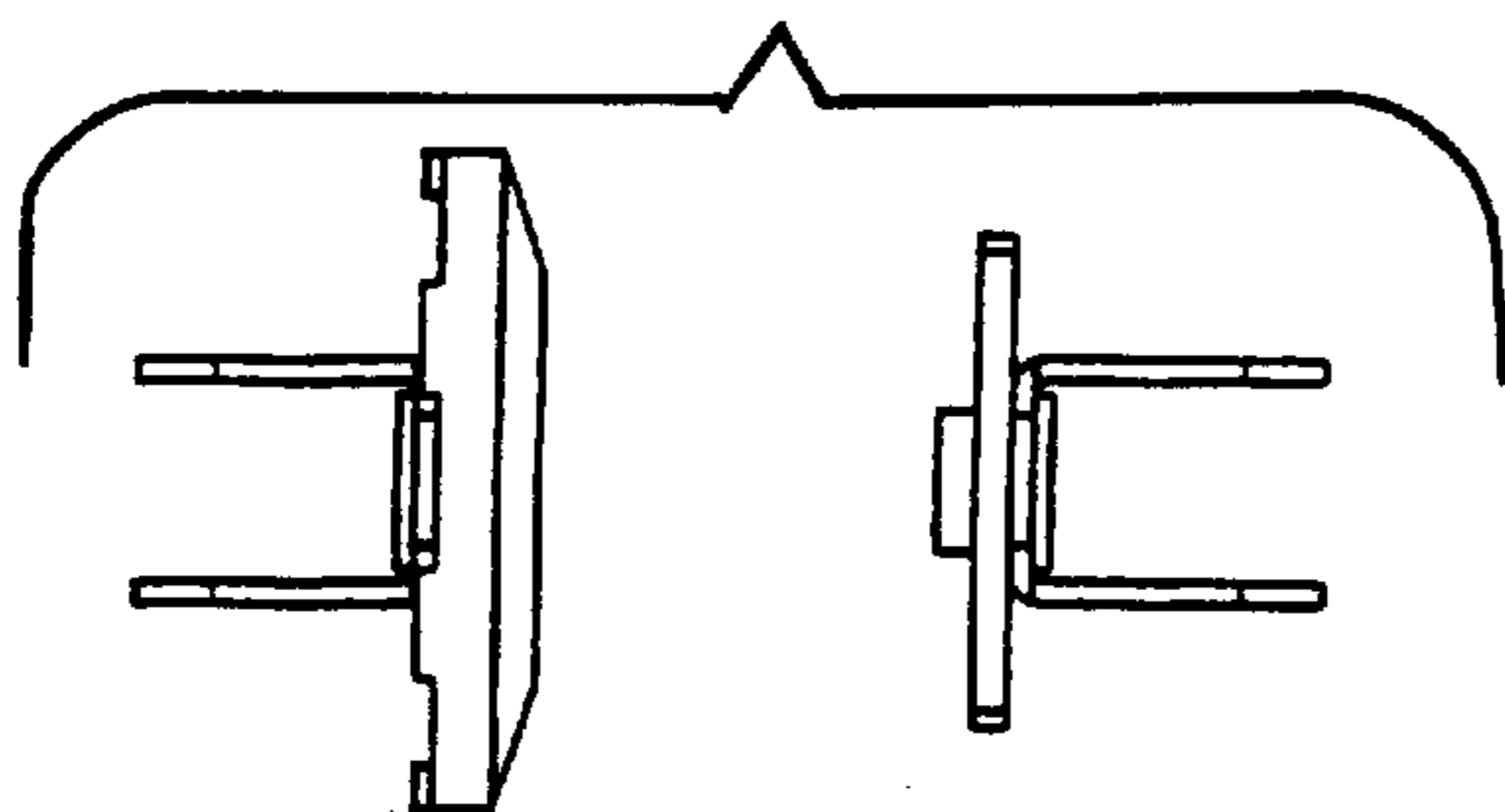


FIGURE 12

