



US00D441634S

(12) **United States Design Patent**
Boscherini

(10) **Patent No.:** **US D441,634 S**

(45) **Date of Patent:** **** May 8, 2001**

(54) **HANDLE**

(75) **Inventor:** **Camille Boscherini, Oxon (GB)**

(73) **Assignee:** **Allgood Holdings Limited, London (GB)**

(**) **Term:** **14 Years**

(21) **Appl. No.:** **29/113,762**

(22) **Filed:** **Nov. 10, 1999**

(30) **Foreign Application Priority Data**

May 12, 1999	(GB)	2083330
May 12, 1999	(GB)	2083331
May 12, 1999	(GB)	2083332

(51) **LOC (7) Cl.** **08-06**

(52) **U.S. Cl.** **D8/308**

(58) **Field of Search** D8/300-302, 308;
16/110.1, 412; 292/356

(56) **References Cited**

U.S. PATENT DOCUMENTS

D. 91,356 * 1/1934 Hibbard .

D. 260,478	*	9/1981	Belaiche	D8/308
D. 315,857	*	4/1991	Fratini	D8/308
D. 323,101	*	1/1992	Holscher	D8/308
D. 323,610	*	2/1992	Tye et al.	D8/308

OTHER PUBLICATIONS

Schlage Residential Cat.; p. 23; Neptune lever.*

* cited by examiner

Primary Examiner—B. J. Bullock

(74) *Attorney, Agent, or Firm*—Wenderoth, Lind & Ponack, L.L.P.

(57) **CLAIM**

The ornamental design for a handle, as shown and described.

DESCRIPTION

FIG. 1 is a perspective view from the front, bottom, and left side of the handle according to the present invention; FIG. 2 is a front view of the handle; FIG. 3 is a bottom view of the handle; FIG. 4 is a left end view of the handle; and, FIG. 5 is a right end view of the handle.

1 Claim, 1 Drawing Sheet

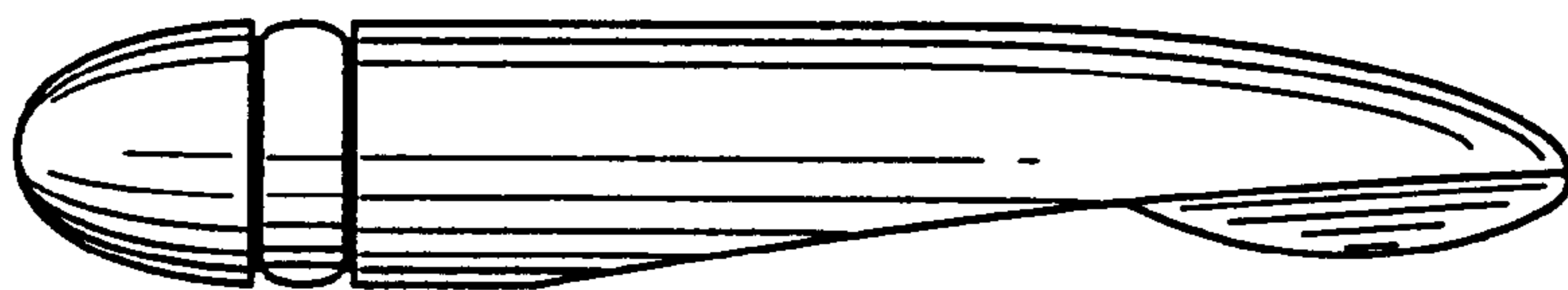
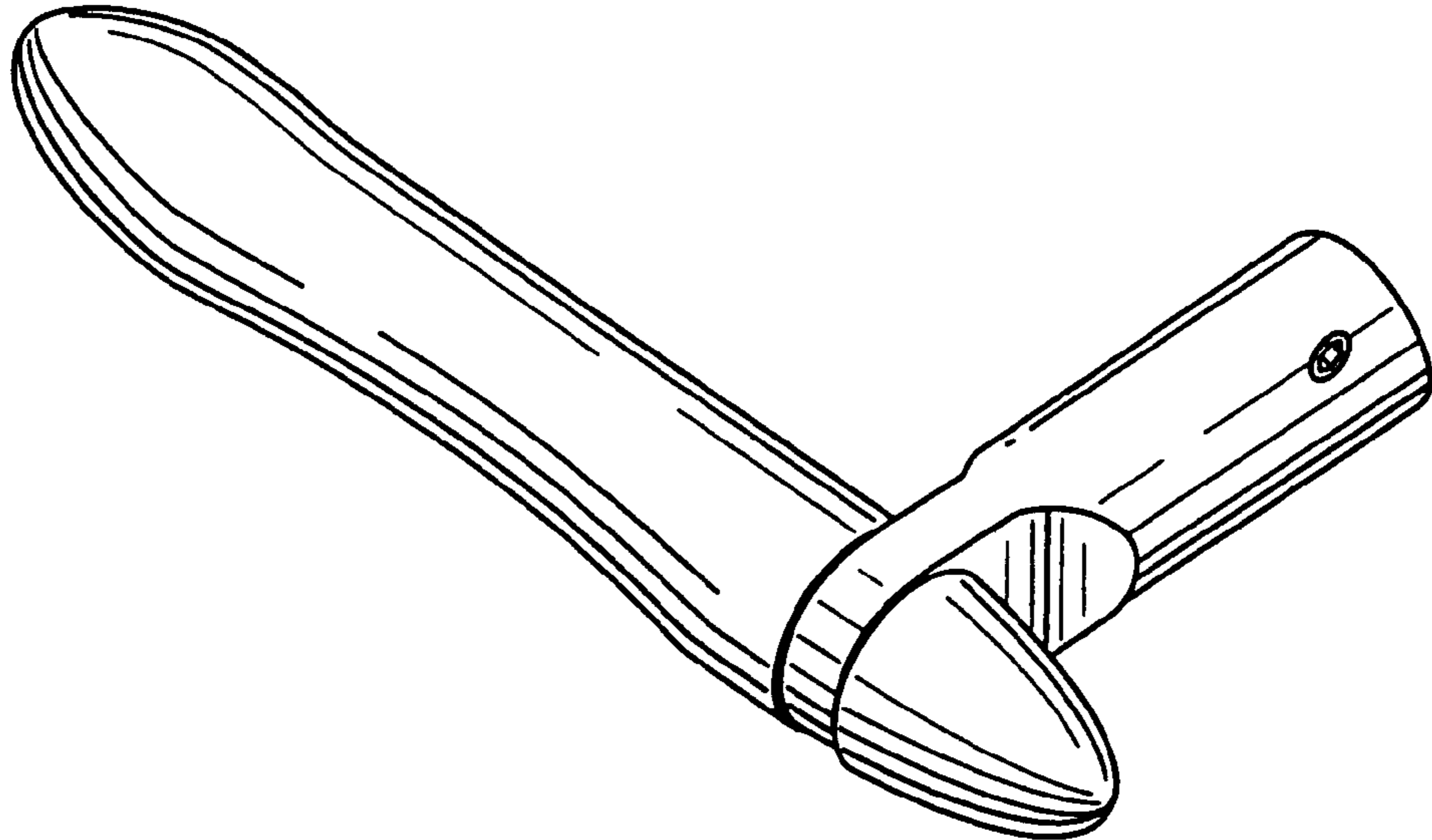


FIG. 1

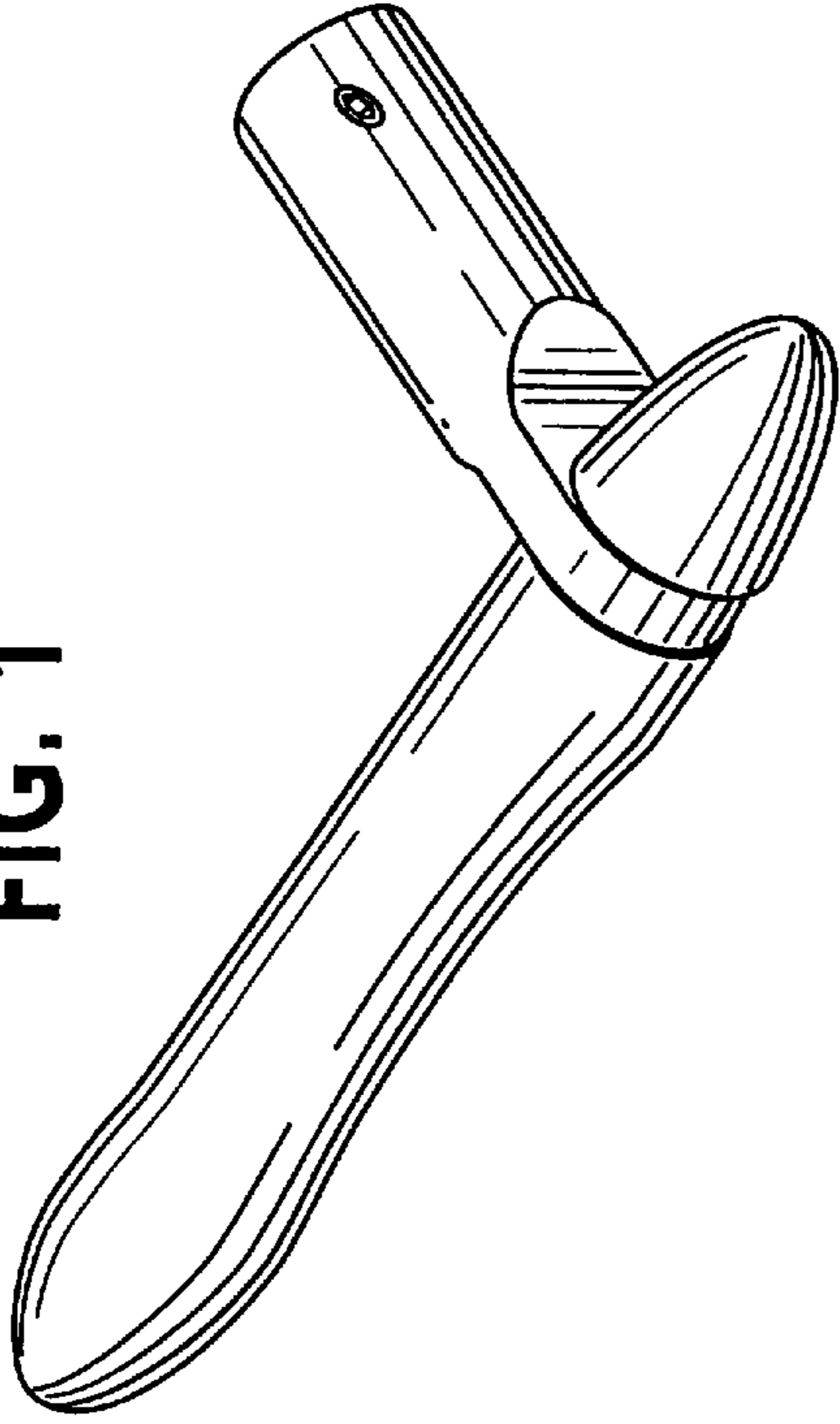


FIG. 4

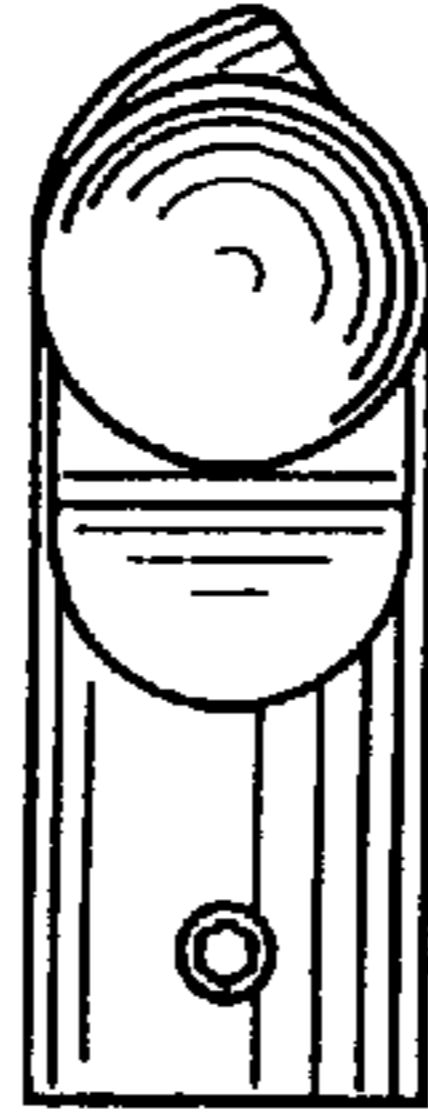


FIG. 2

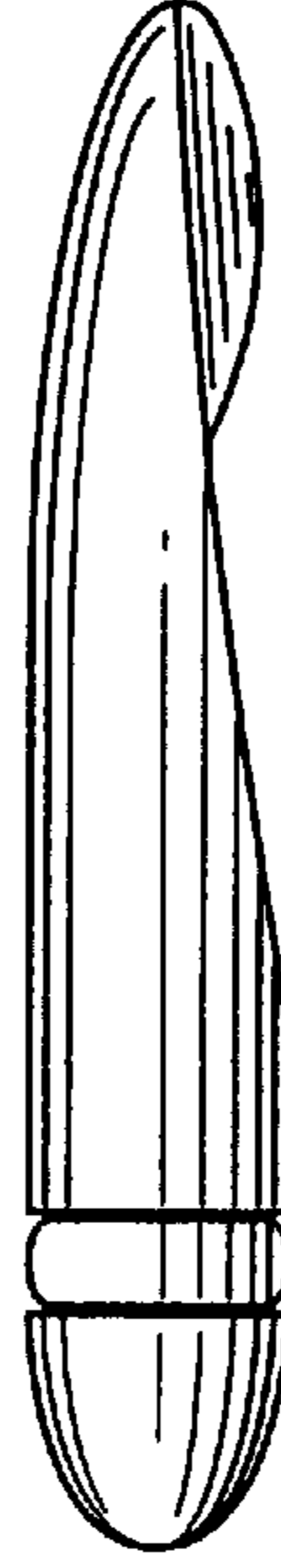


FIG. 5



FIG. 3

