



US00D441633S

(12) **United States Design Patent**  
**Jenks**

(10) **Patent No.:** **US D441,633 S**

(45) **Date of Patent:** **\*\* May 8, 2001**

(54) **T-HANDLE LOCK**

5,038,588 8/1991 Hall ..... 70/208

5,212,972 5/1993 Kincaid et al. .... 70/208

5,921,119 \* 7/1999 Myers et al. .... 70/208

(76) Inventor: **Bruce Jenks**, 772 Newton Way, Costa  
Mesa, CA (US) 92627

\* cited by examiner

(\*\*) Term: **14 Years**

*Primary Examiner*—B. J. Bullock

(74) *Attorney, Agent, or Firm*—Walter A. Hackler

(21) Appl. No.: **29/123,073**

(22) Filed: **May 10, 2000**

(57) **CLAIM**

(51) **LOC (7) Cl.** ..... **08-06**

The ornamental design for a T-handle lock, as shown and described.

(52) **U.S. Cl.** ..... **D8/307**

(58) **Field of Search** ..... D8/307, 338, 341;  
292/DIG. 31; 16/110.1, 414, 412, 415,  
417, 441; 70/207, 208, 215, 56, 358, 85

**DESCRIPTION**

(56) **References Cited**

FIG. 1 is a three dimensional view looking at the top, front left corner;

FIG. 2 is a top plan view;

FIG. 3 is a right side elevation view and the left side is an exact mirror image of the right side; and,

FIG. 4 is an end elevational view the ends being exact mirror images of one another.

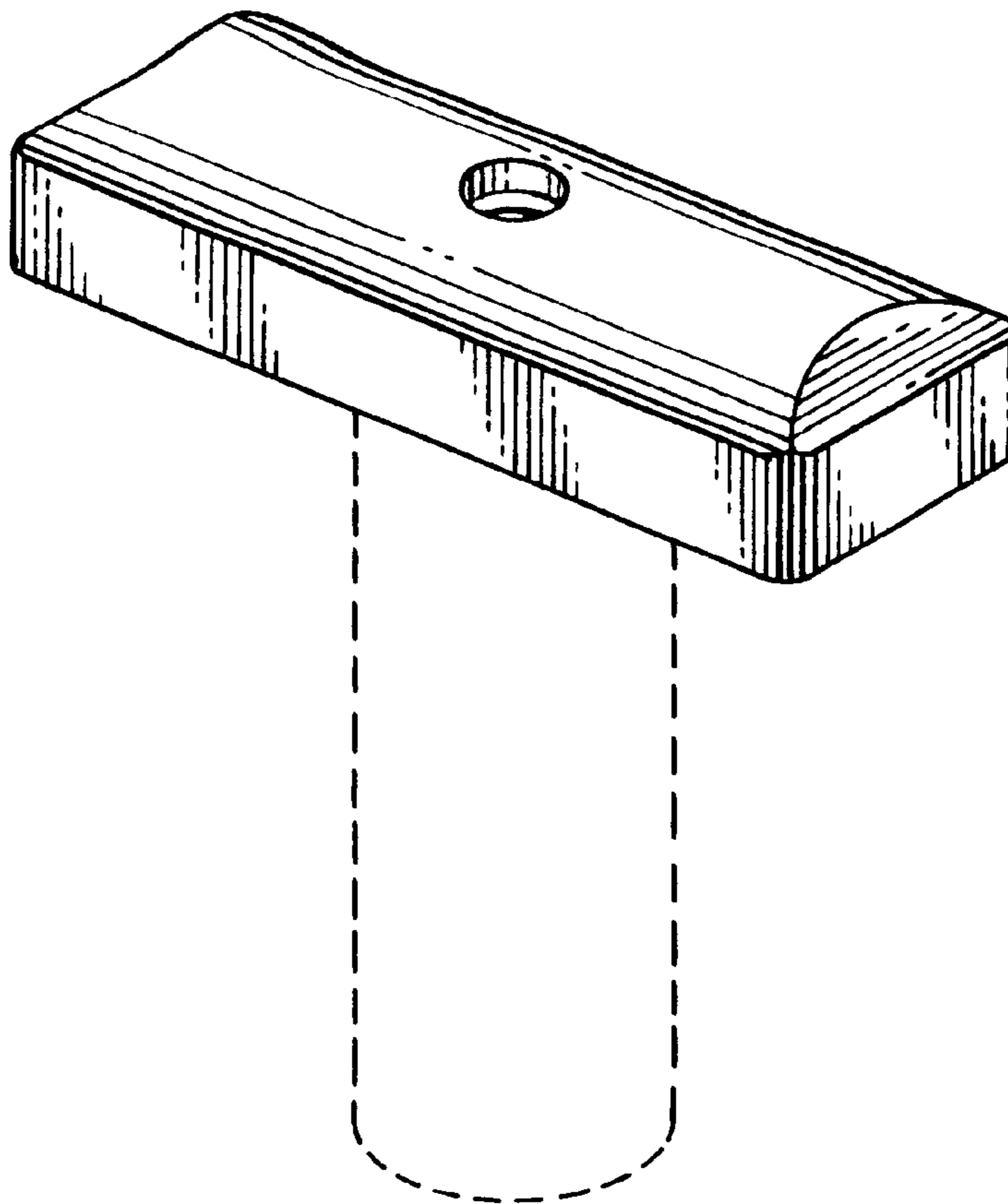
No ornamental feature is present on the bottom of the enclosure and accordingly it is not shown herein.

The broken lines are for illustrative purposes only and form no part of the claimed design.

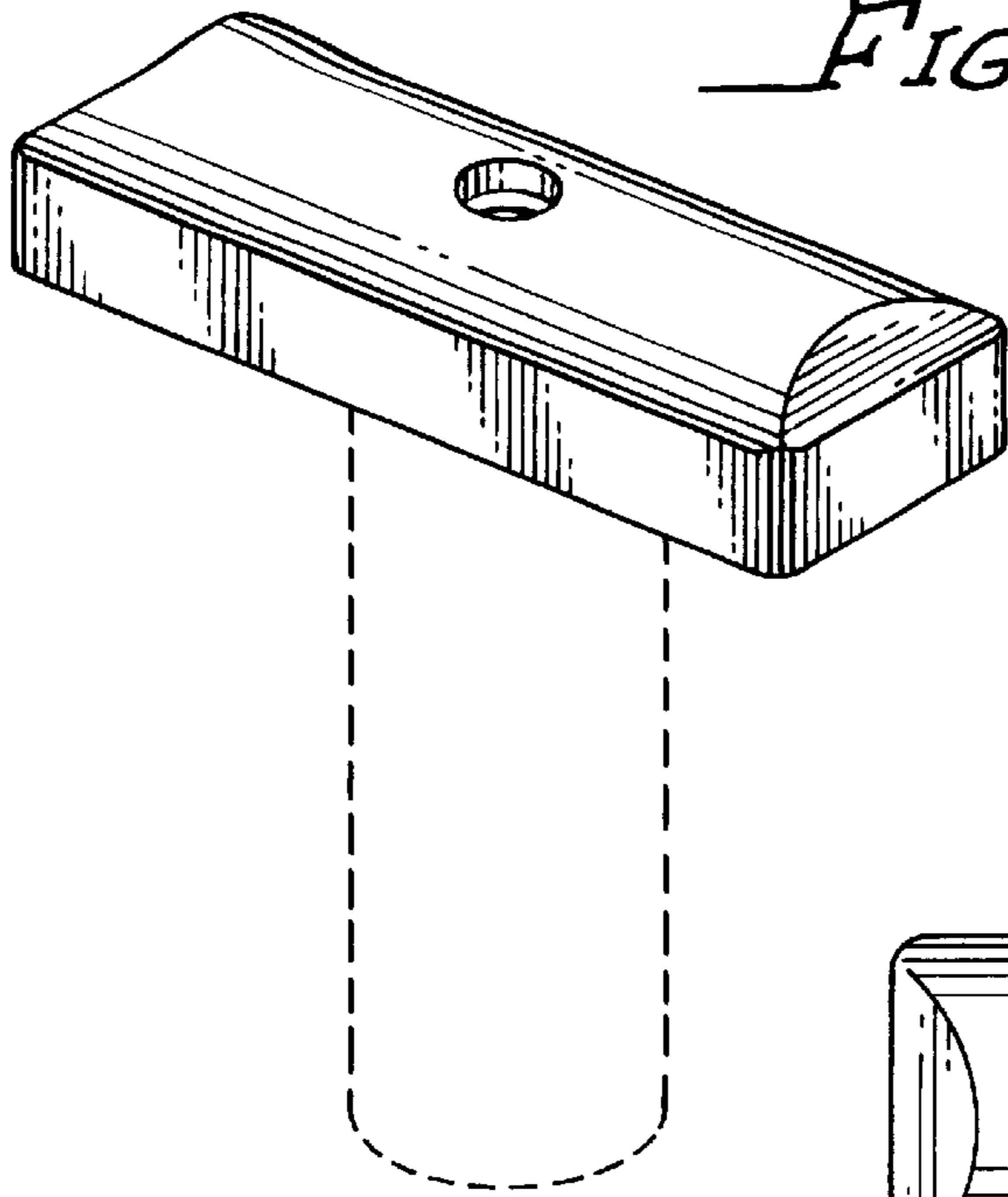
**U.S. PATENT DOCUMENTS**

- D. 214,713 \* 7/1969 Unter .
- 3,285,043 \* 11/1966 Davenbaugh .
- 3,550,412 \* 12/1970 Pixel .
- 4,132,092 1/1979 Steinback ..... 70/208
- 4,552,001 11/1985 Roop ..... 70/208
- 4,689,976 9/1987 Larsen ..... 70/208
- 4,835,998 6/1989 Steinback ..... 70/208
- 4,899,561 2/1990 Myers ..... 70/208
- 4,966,018 \* 10/1990 Hauber ..... 70/208

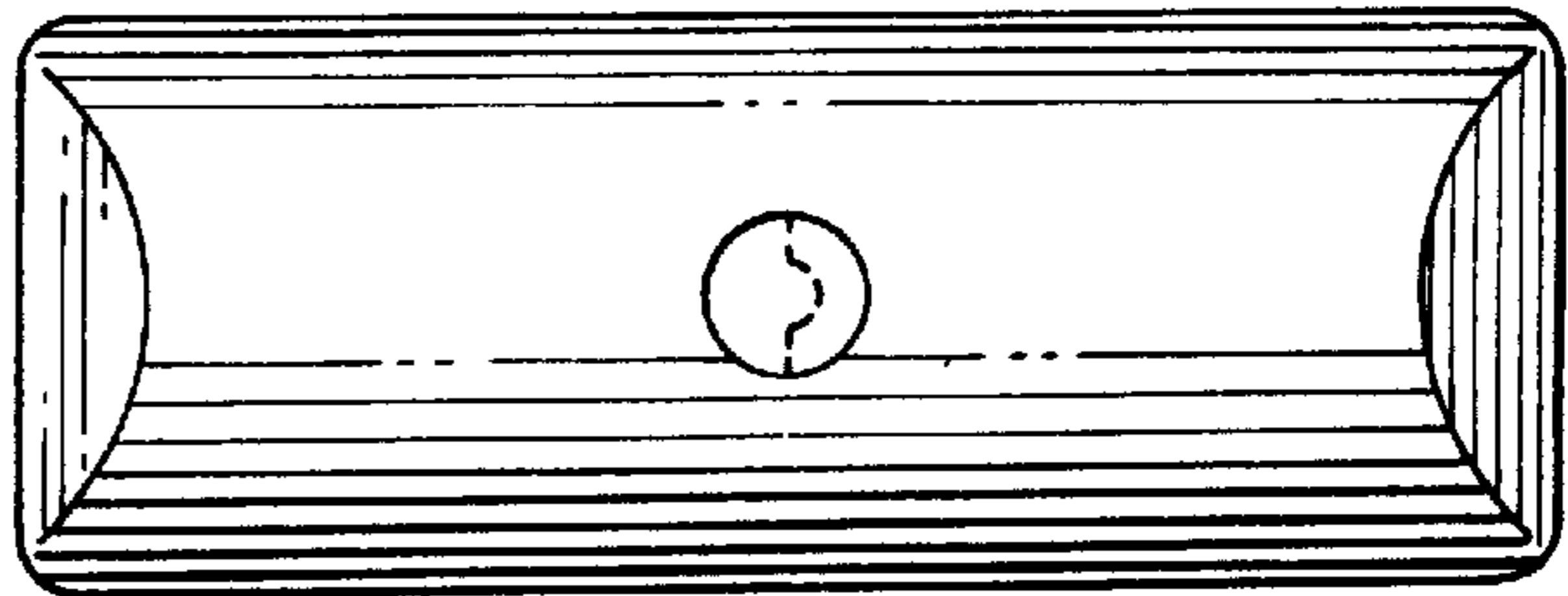
**1 Claim, 1 Drawing Sheet**



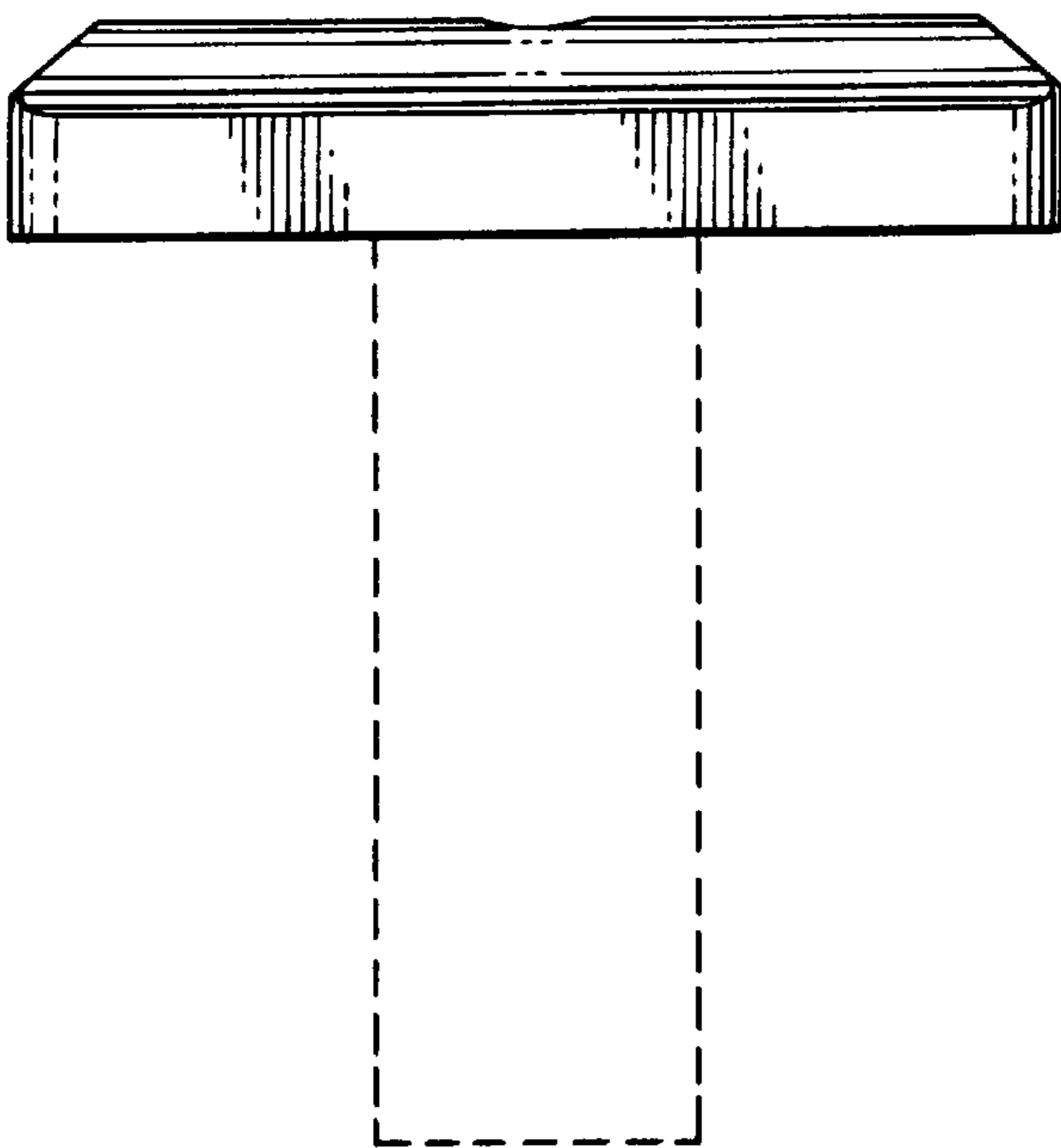
*FIG. 1.*



*FIG. 2.*



*FIG. 3.*



*FIG. 4.*

