



US00D441626S

(12) **United States Design Patent**
Greiner

(10) **Patent No.:** **US D441,626 S**

(45) **Date of Patent:** **** May 8, 2001**

(54) **CAN OPENER**

(75) Inventor: **Ulrich Greiner**, Langenau (DE)

(73) Assignee: **MOHA Moderne Haushaltwaren AG**,
Zollikofen (CH)

(**) Term: **14 Years**

(21) Appl. No.: **29/126,467**

(22) Filed: **Jul. 17, 2000**

(30) **Foreign Application Priority Data**

Feb. 17, 2000 (WO) DM/051 375

(51) **LOC (7) Cl.** **07-99**

(52) **U.S. Cl.** **D8/41**

(58) **Field of Search** D8/33-43, 18,
D8/19; 30/400-443; 81/3.07-3.49; 7/151-156

(56) **References Cited**

U.S. PATENT DOCUMENTS

Re. 27,504	*	10/1972	Smith	30/418
D. 277,926	*	3/1985	Chow	D8/41
D. 301,539	*	6/1989	Cheung	D8/41
D. 326,039	*	5/1992	Viemeister	D8/33
D. 366,197	*	1/1996	Laib	D8/41
D. 366,198	*	1/1996	Laib	D8/42
D. 393,403	*	4/1998	Tse	D8/40
D. 404,269	*	1/1999	Chang	D8/39
D. 404,270	*	1/1999	Chang	D8/40
D. 406,027	*	2/1999	So	D8/39
D. 406,222	*	3/1999	Wong	D8/40
D. 410,180	*	5/1999	So	D8/39
D. 415,666	*	10/1999	Ho	D8/39

4,301,595	*	11/1981	Franek	30/427
5,121,546	*	6/1992	Chong	30/418
5,363,725	*	11/1994	Cellini	81/3.09
5,367,776	*	11/1994	Chong	30/417
5,794,353	*	8/1998	Lin	30/418
6,094,828	*	8/2000	Chong	30/417

* cited by examiner

Primary Examiner—Jeffrey Asch

(74) *Attorney, Agent, or Firm*—Pauley Petersen Kinne & Fejer

(57) **CLAIM**

The ornamental design for a can opener, as shown and described.

DESCRIPTION

FIG. 1 is a perspective view of a can opener, with a lever in a retracted position according to one preferred embodiment of this invention;

FIG. 2 is a top view of the can opener, as shown in FIG. 1;

FIG. 3 is a bottom view of the can opener, as shown in FIG. 1;

FIG. 4 is a front view of the can opener, as shown in FIG. 1;

FIG. 5 is a rear view of the can opener, as shown in FIG. 1;

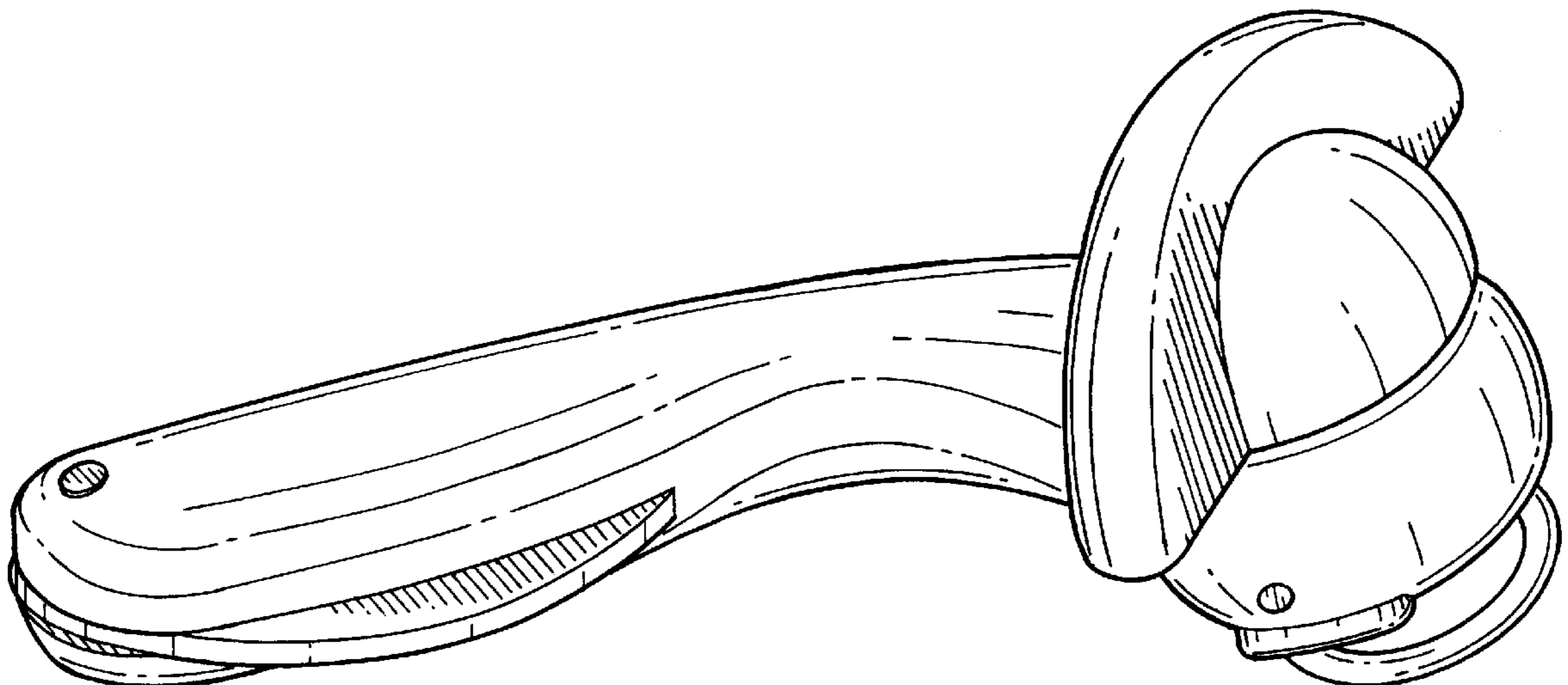
FIG. 6 is a side view of the can opener, as shown in FIG. 1;

FIG. 7 is a side view, opposite the side view shown in FIG. 6, of the can opener, as shown in FIG. 1;

FIG. 8 is a perspective view of the can opener, as shown in FIG. 1 but with a lever in an extended position; and,

FIG. 9 is a top view of the can opener, as shown in FIG. 8.

1 Claim, 7 Drawing Sheets



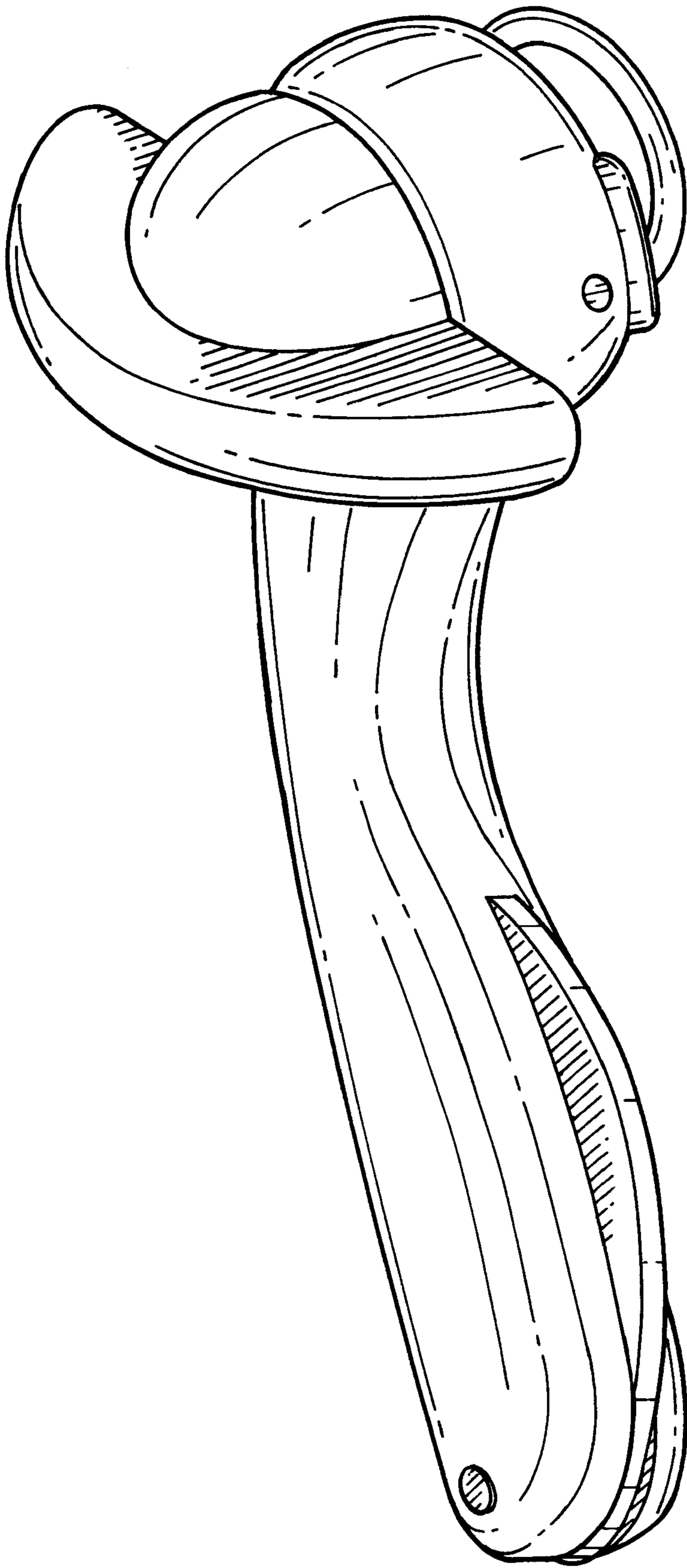


FIG. 1

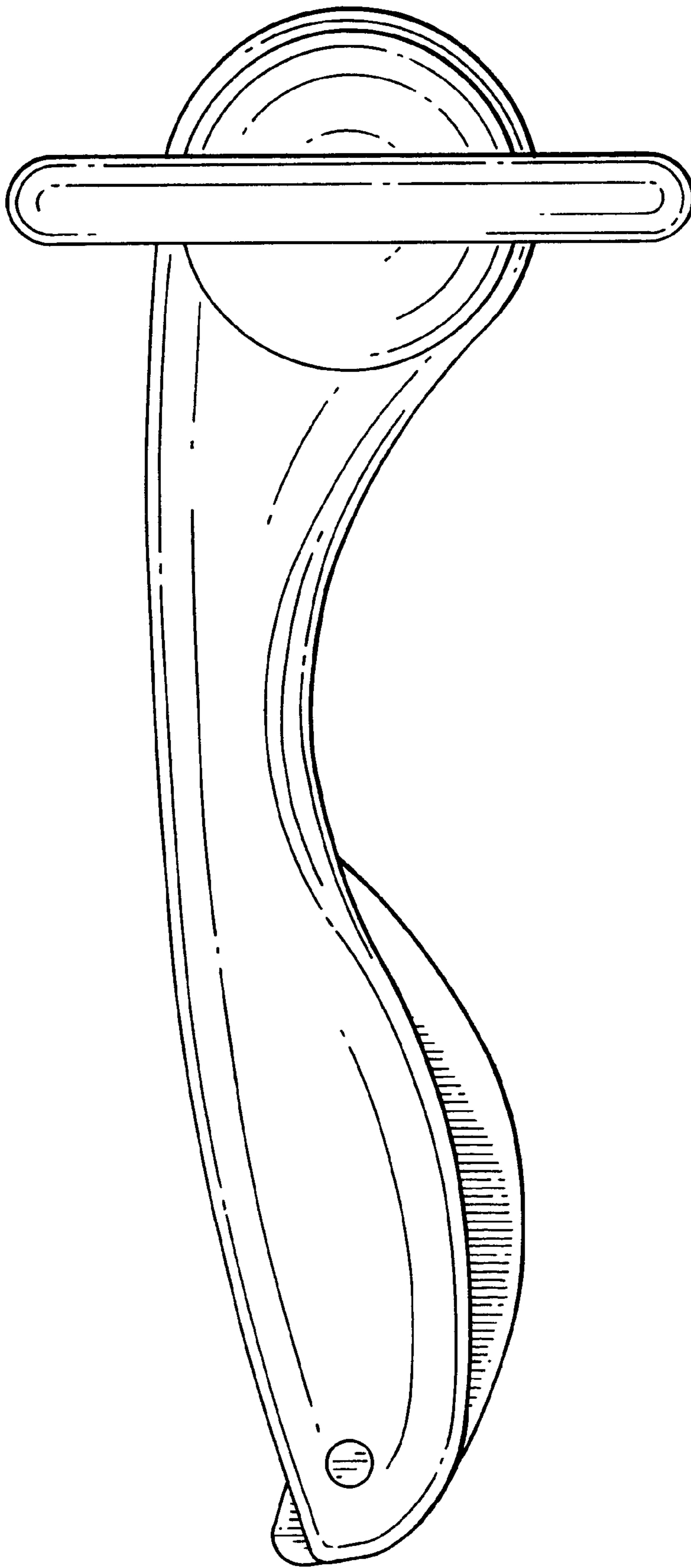


FIG. 2

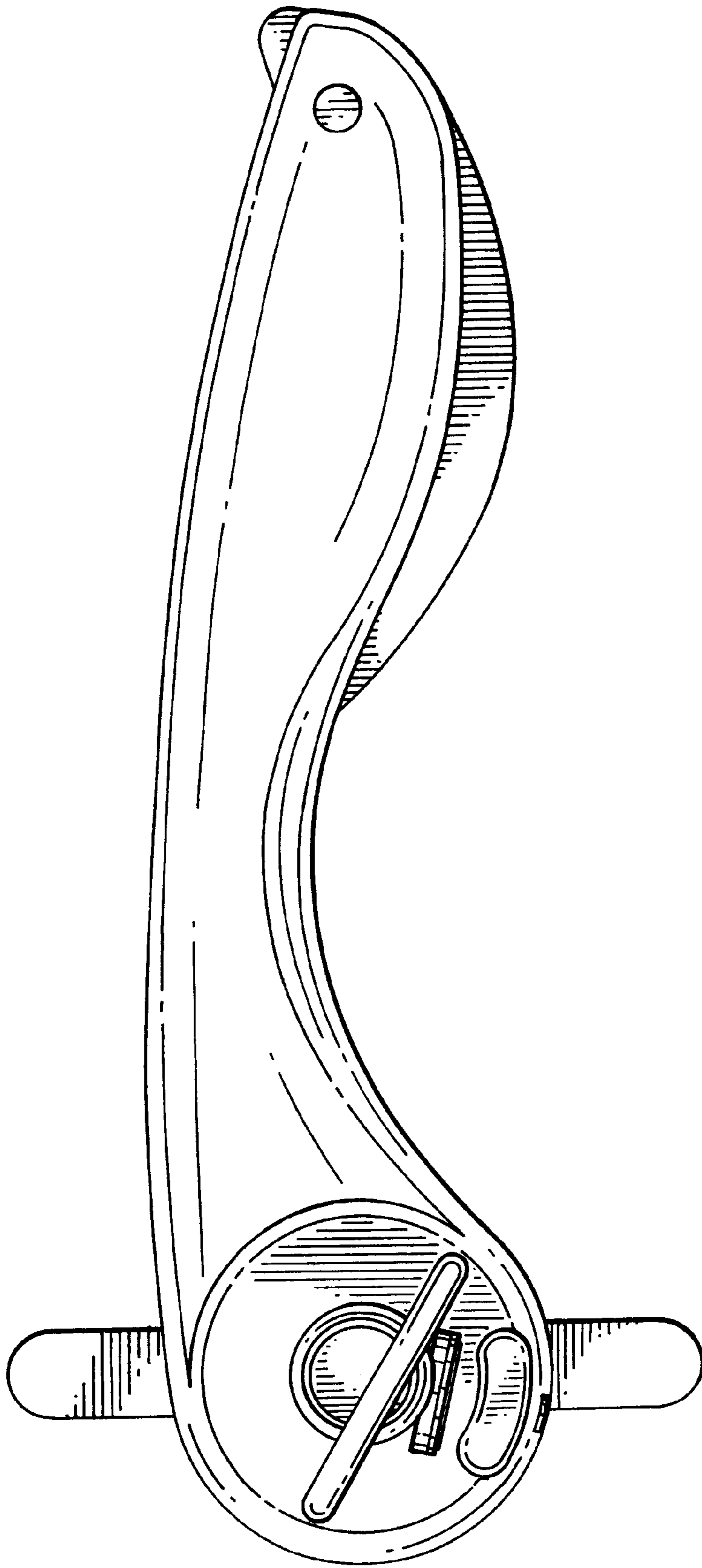


FIG. 3

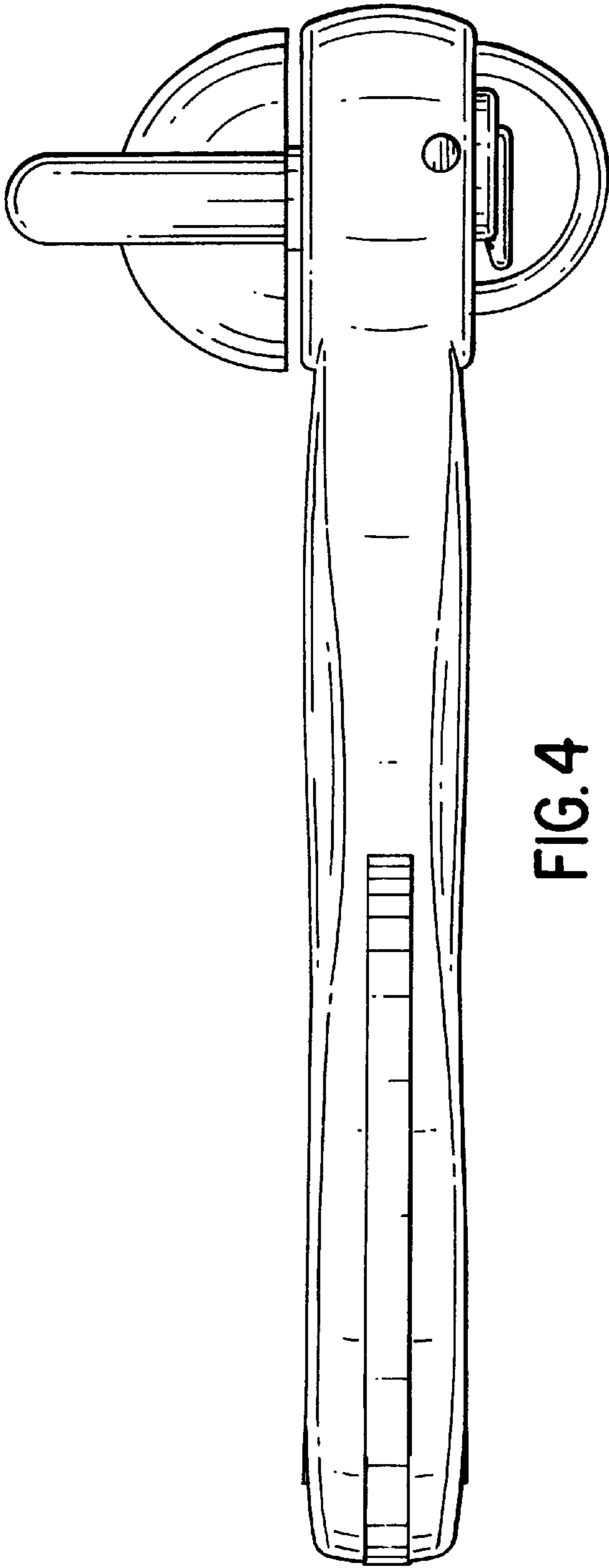


FIG. 4

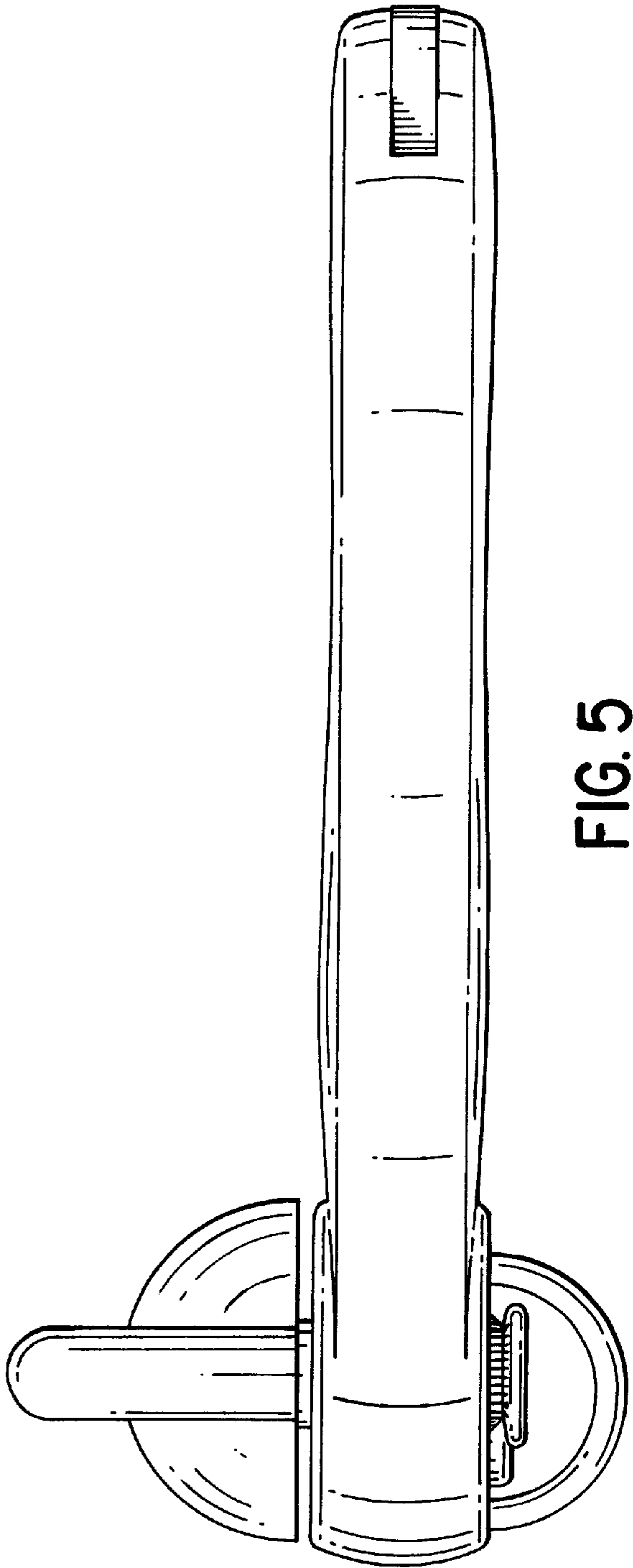


FIG. 5

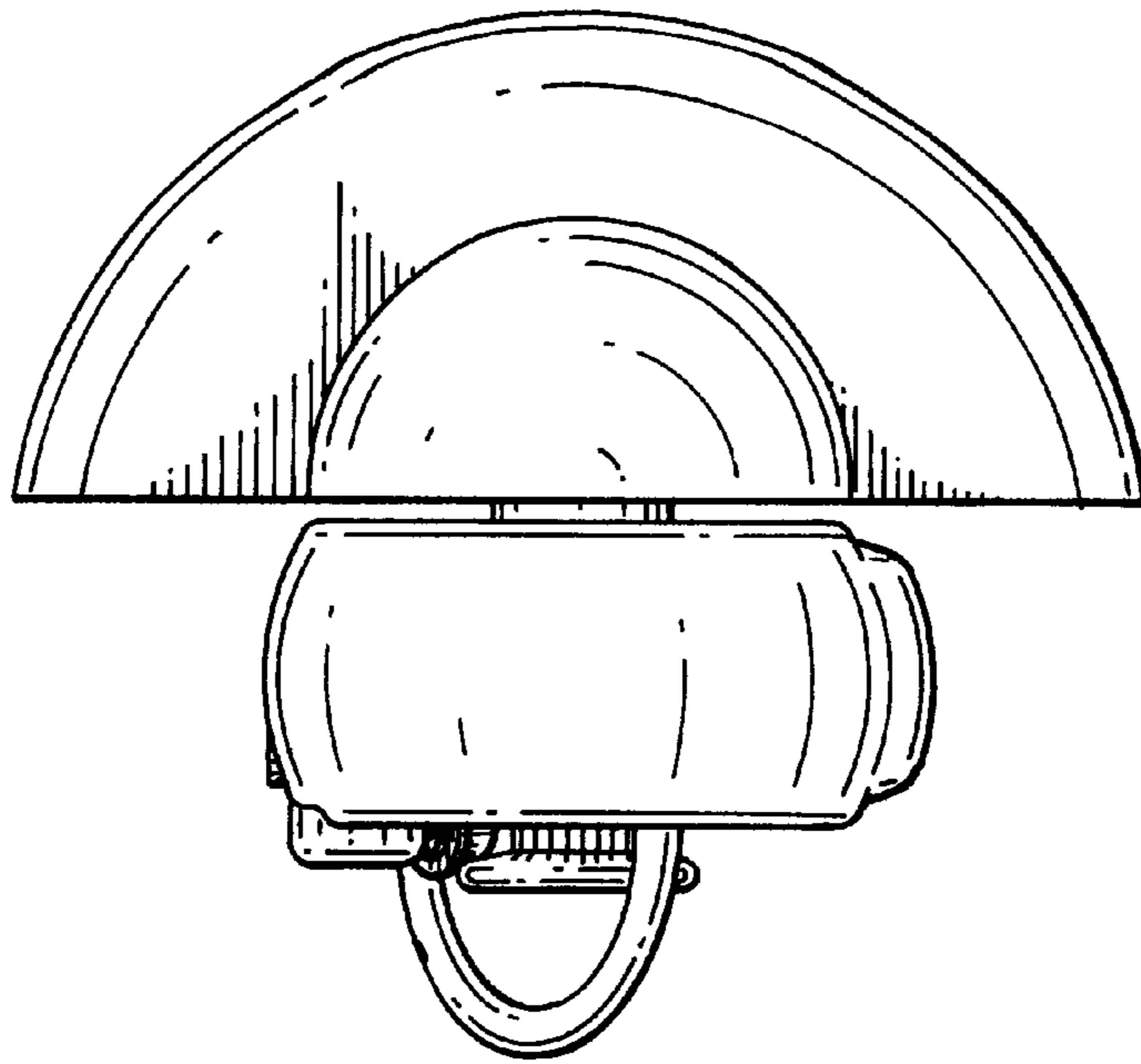


FIG. 6

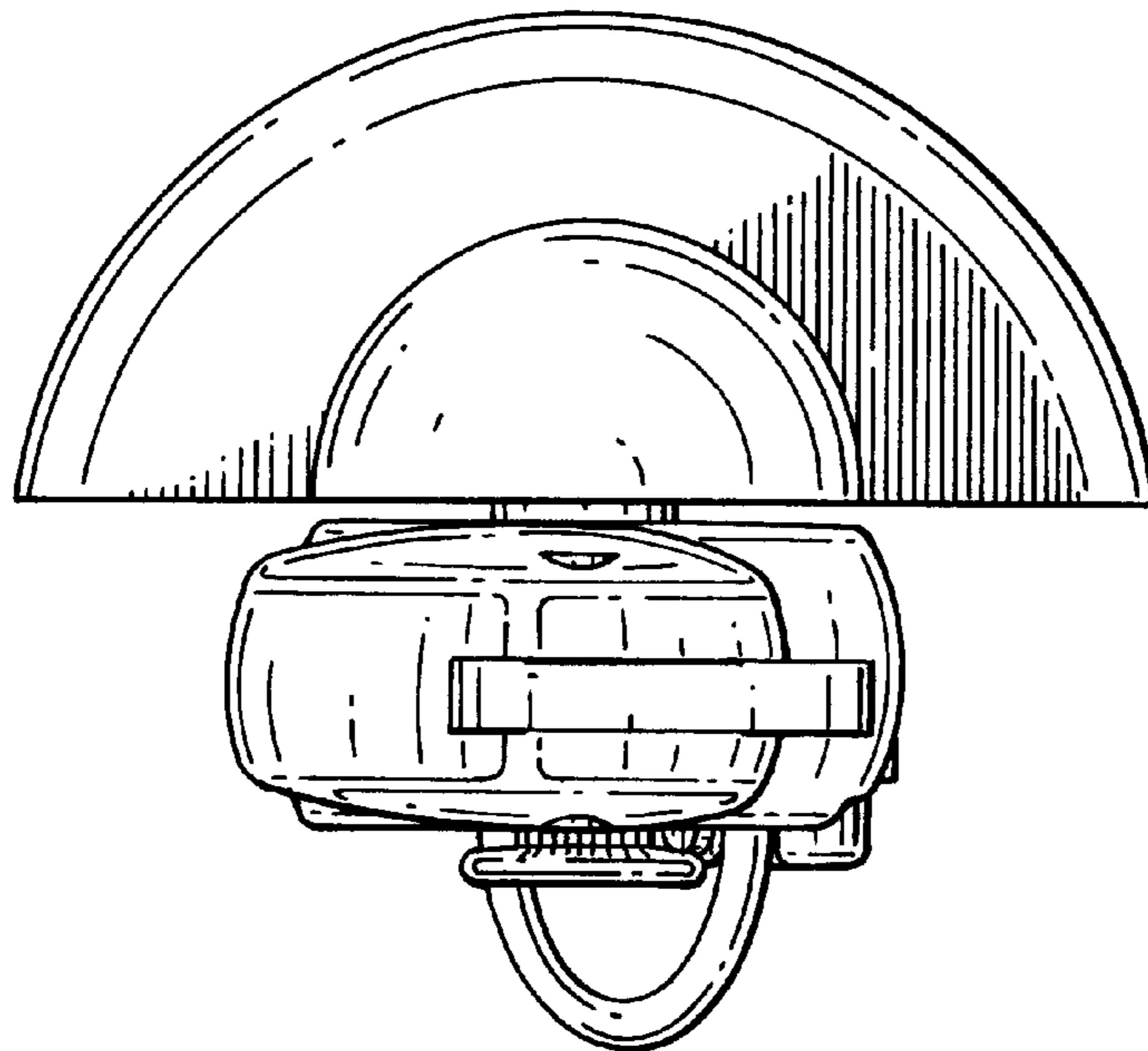


FIG. 7

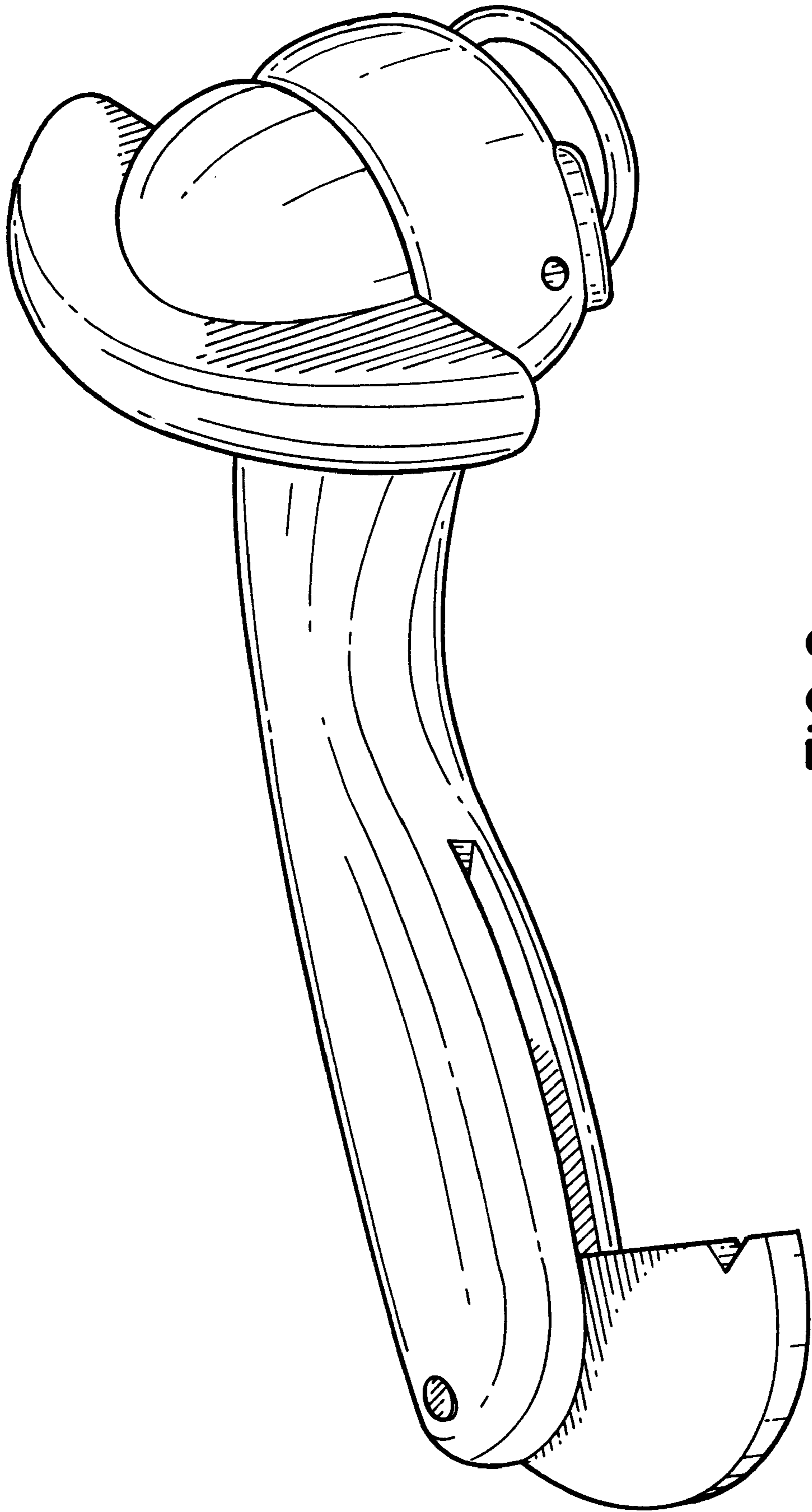


FIG. 8

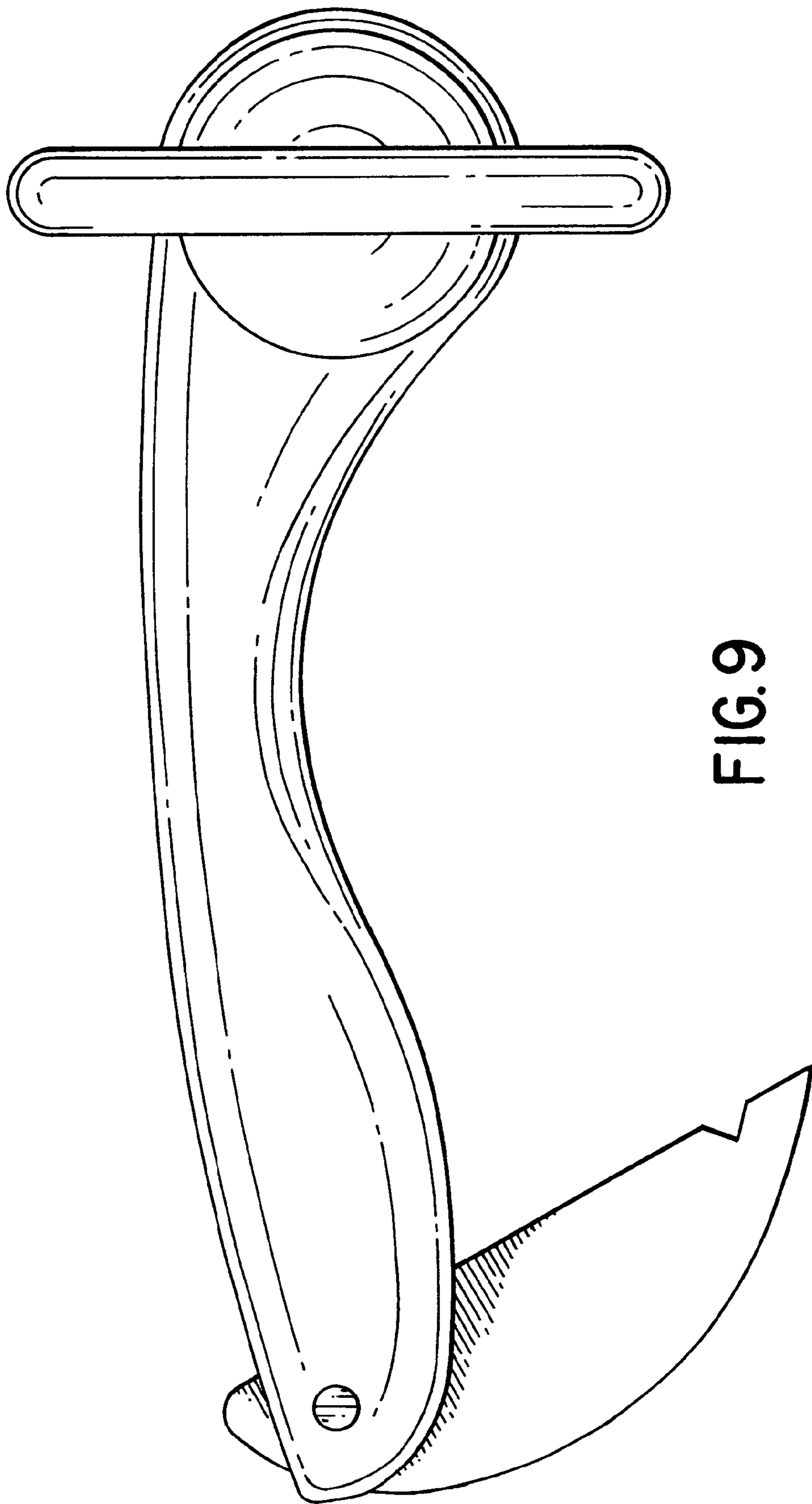


FIG. 9