



US00D441623S

(12) **United States Design Patent**
Storlie

(10) **Patent No.:** **US D441,623 S**

(45) **Date of Patent:** **** May 8, 2001**

(54) **DUAL HANDLED SHOVEL**

(76) Inventor: **John Storlie**, Box 56, Santiago, MN
(US) 55377

(**) Term: **14 Years**

(21) Appl. No.: **29/116,463**

(22) Filed: **Dec. 23, 1999**

(51) **LOC (7) Cl.** **08-01**

(52) **U.S. Cl.** **D8/10**

(58) **Field of Search** D8/1, 10; 294/49,
294/54.5, 57, 58

(56) **References Cited**

U.S. PATENT DOCUMENTS

D. 270,612	9/1983	Storlie .	
D. 377,300 *	1/1997	Frederick Von Essen	D8/10
911,291	2/1909	Byor .	
1,374,061	4/1921	Coleman .	
1,586,056	5/1926	Walsh .	
2,416,414	2/1947	Spencer .	
2,772,910	12/1956	Doyle .	
4,200,324	4/1980	Helton .	
4,944,541 *	7/1990	Waldschmidt	294/58
5,133,582 *	7/1992	Rocha	294/58
5,499,852 *	3/1996	Seigendall	294/58
5,669,650	9/1997	Rutz .	
5,704,672 *	1/1998	Sims	294/58
5,921,600	7/1999	Lucas .	

* cited by examiner

Primary Examiner—Robin V. Taylor

(74) *Attorney, Agent, or Firm*—Burd, Bartz & Gutenkauf

(57) **CLAIM**

I claim the ornamental design of the dual handled shovel, as shown and described.

DESCRIPTION

FIG. 1 is a perspective view of the dual handled shovel of my new design;

FIG. 2 is a reduced scale side elevation view thereof, the opposite side being a mirror image thereof;

FIG. 3 is a top plan view of FIG. 2;

FIG. 4 is a bottom plan view of FIG. 2;

FIG. 5 is a front elevational view of FIG. 2;

FIG. 6 is a rear elevational view of FIG. 2;

FIG. 7 is a sectional view take along the line 7—7 of FIG. 3;

FIG. 8 is a perspective view of a first modification of the dual handle shovel of my new design;

FIG. 9 is a reduced scale side elevational view of FIG. 8, the opposite side being a mirror image thereof;

FIG. 10 is a top plan view of FIG. 8;

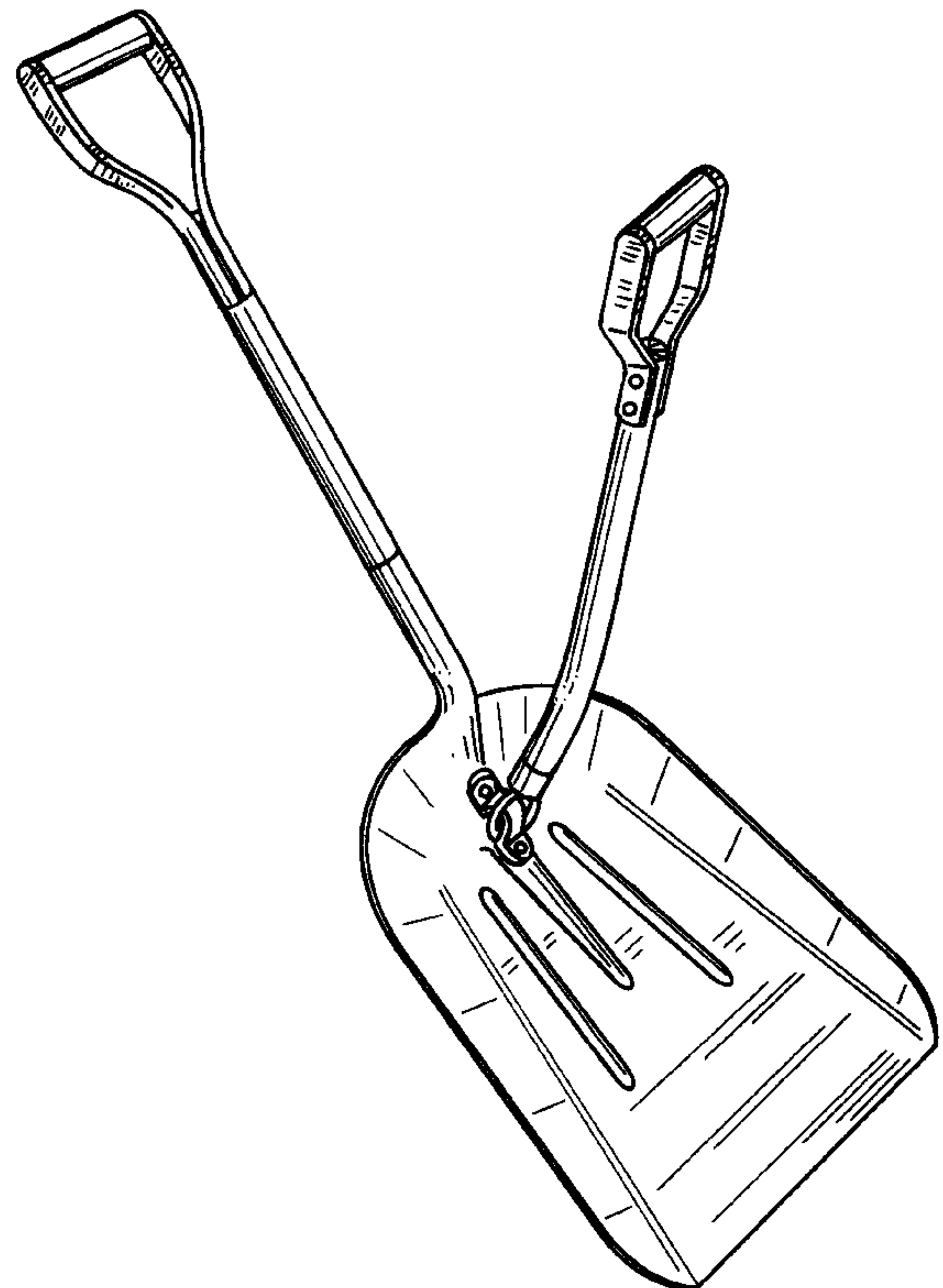
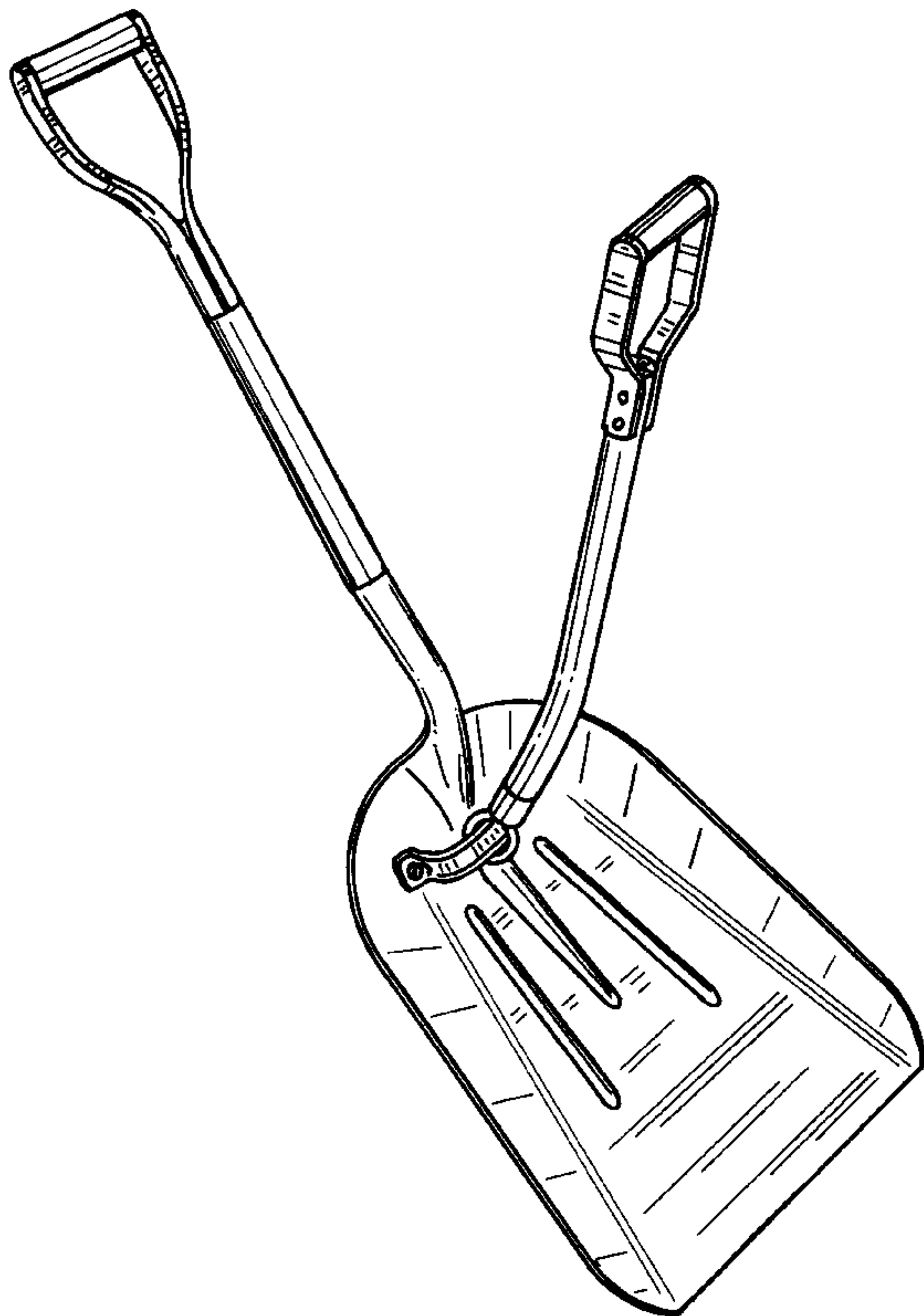
FIG. 11 is a bottom plan view of FIG. 8;

FIG. 12 is a front elevational view of FIG. 8;

FIG. 13 is a rear elevational view of FIG. 8; and,

FIG. 14 is a sectional view taken along line 14—14 of FIG. 10.

1 Claim, 5 Drawing Sheets



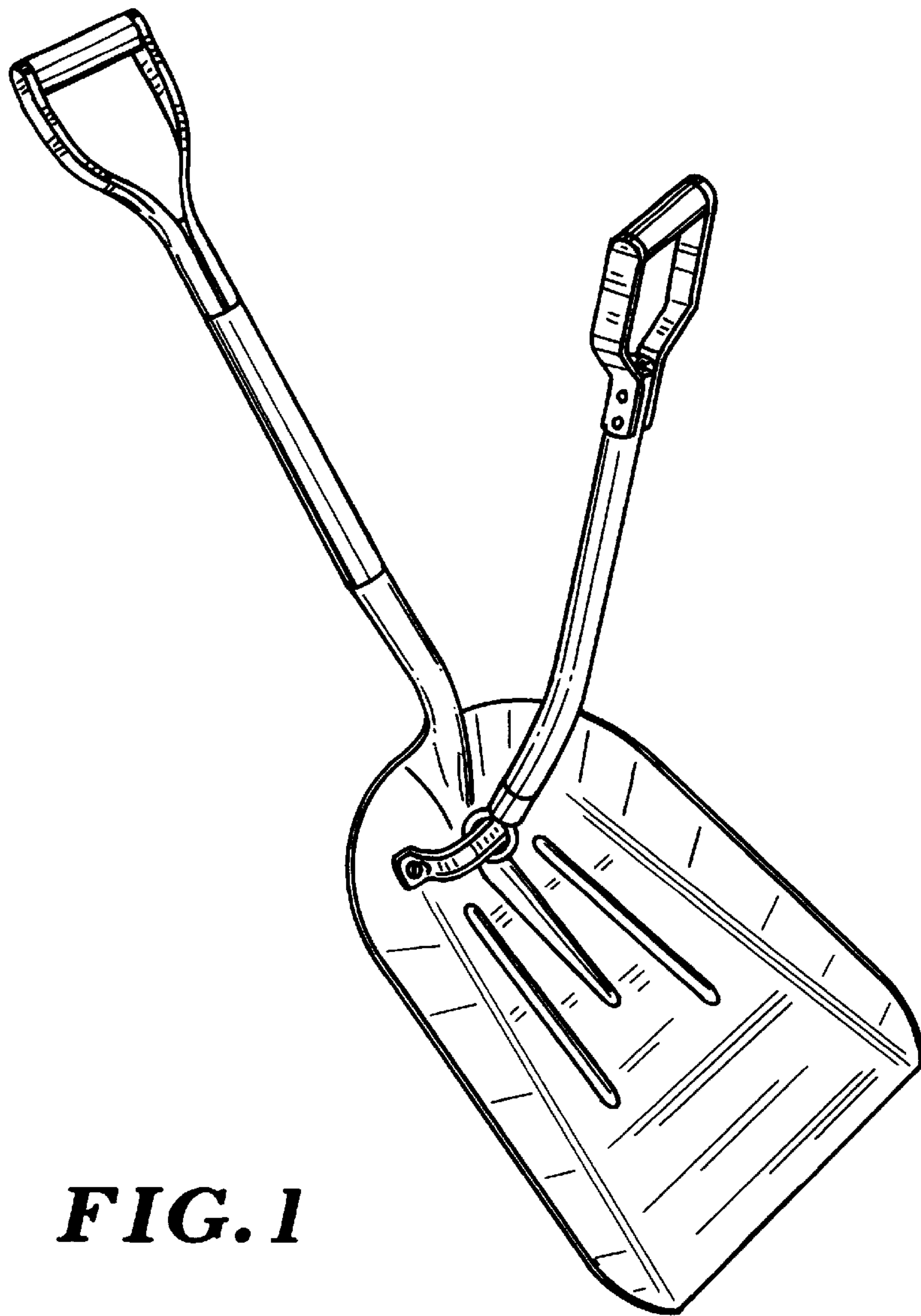


FIG. 1

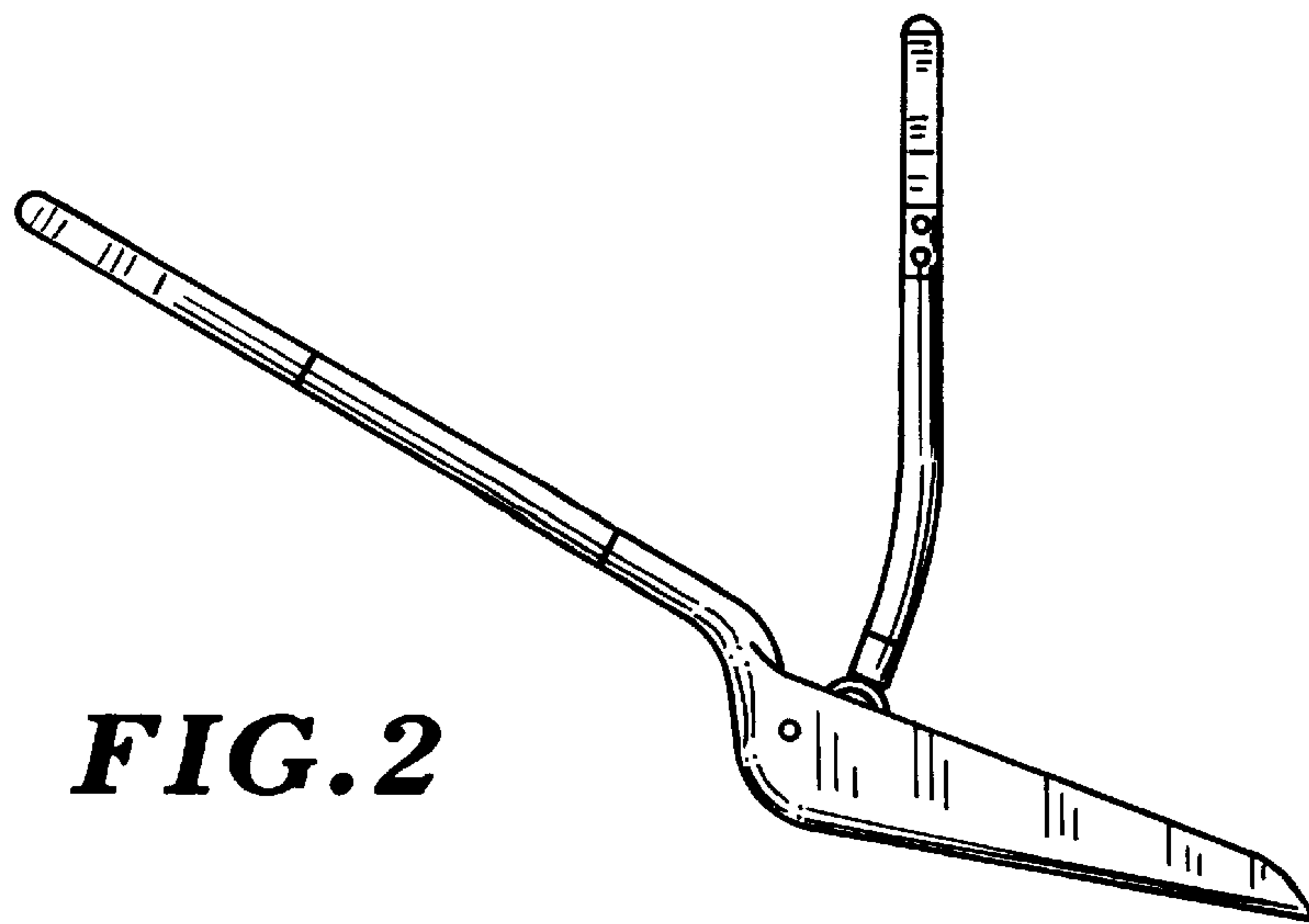
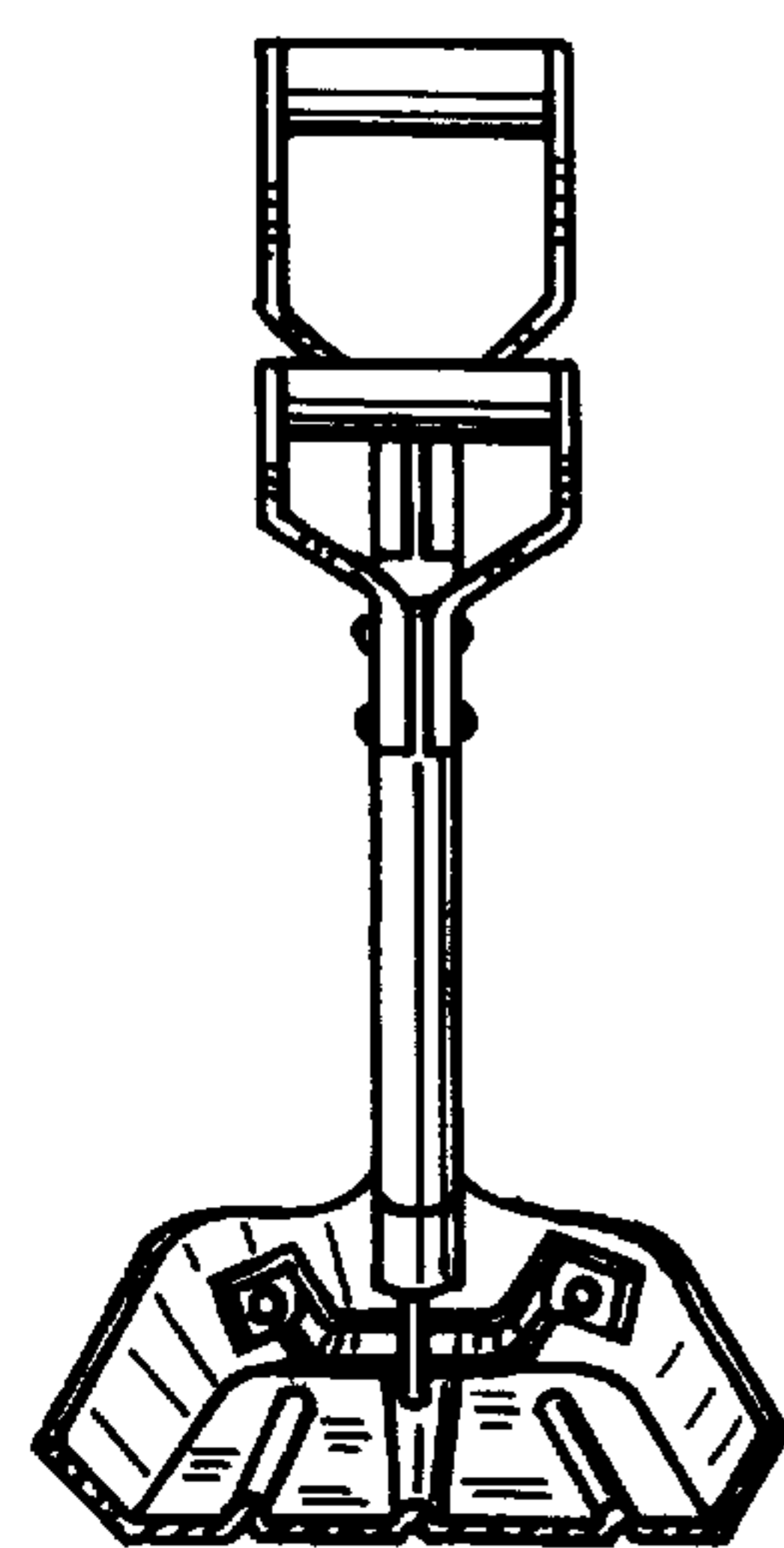
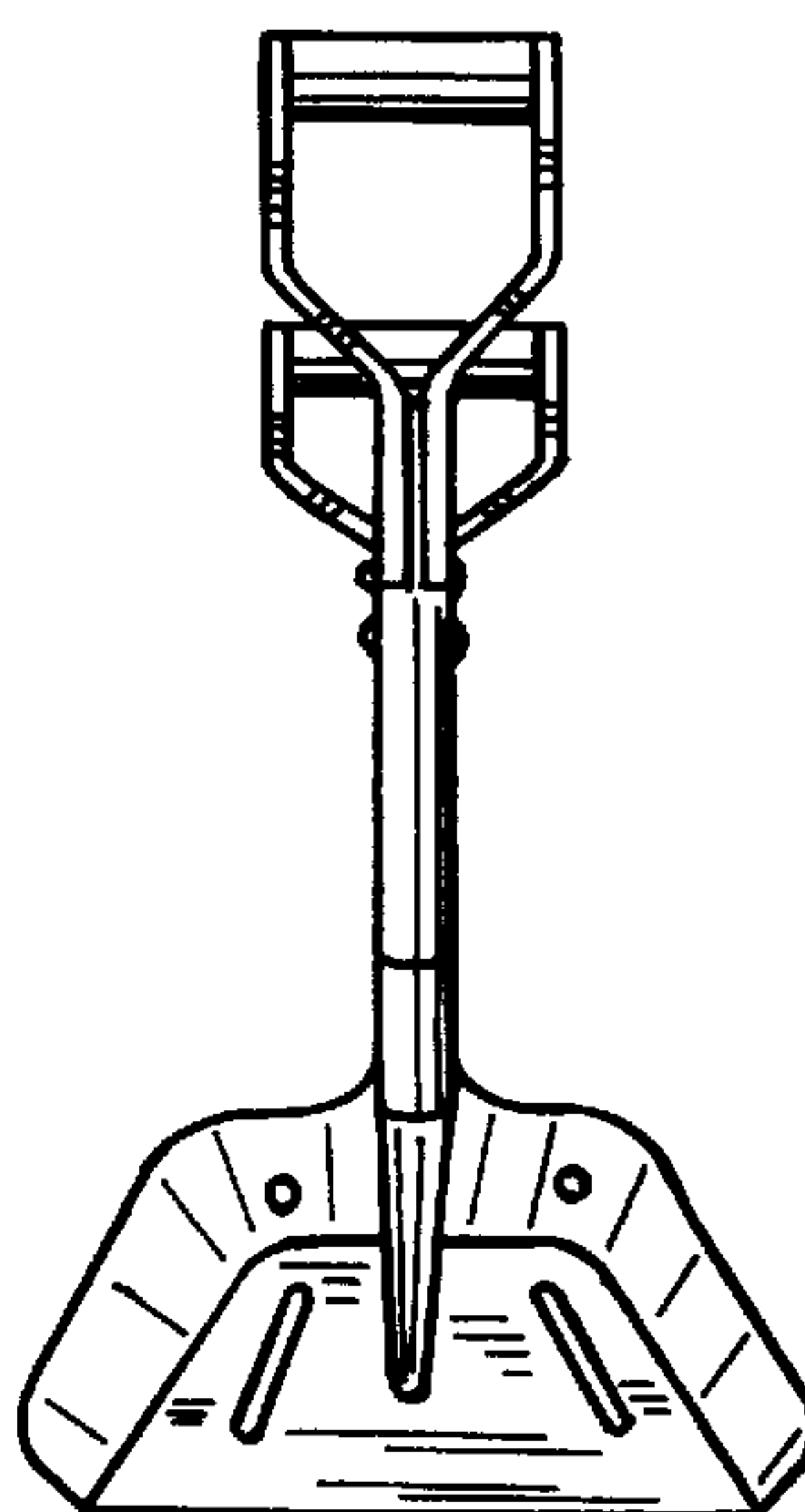
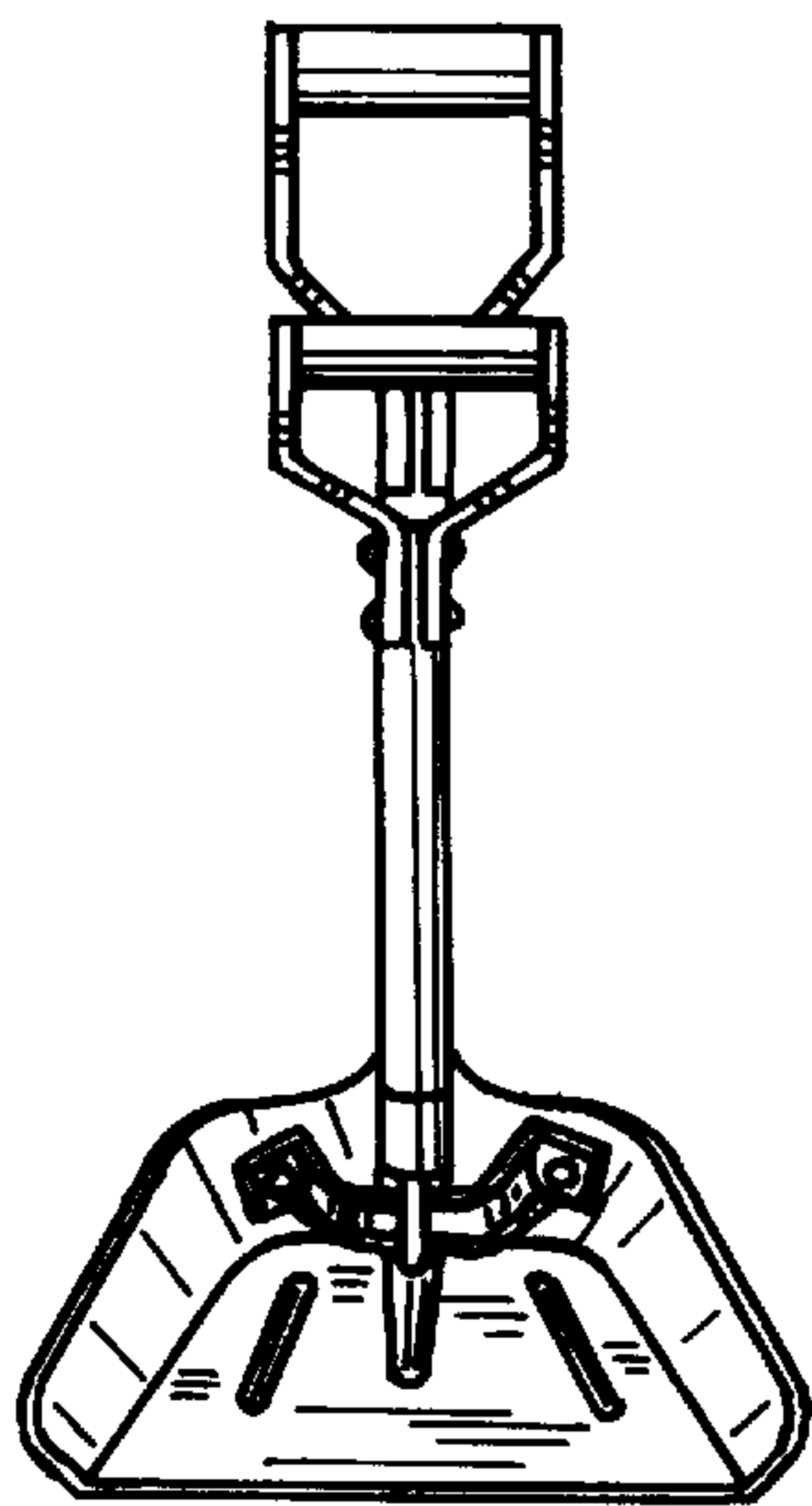
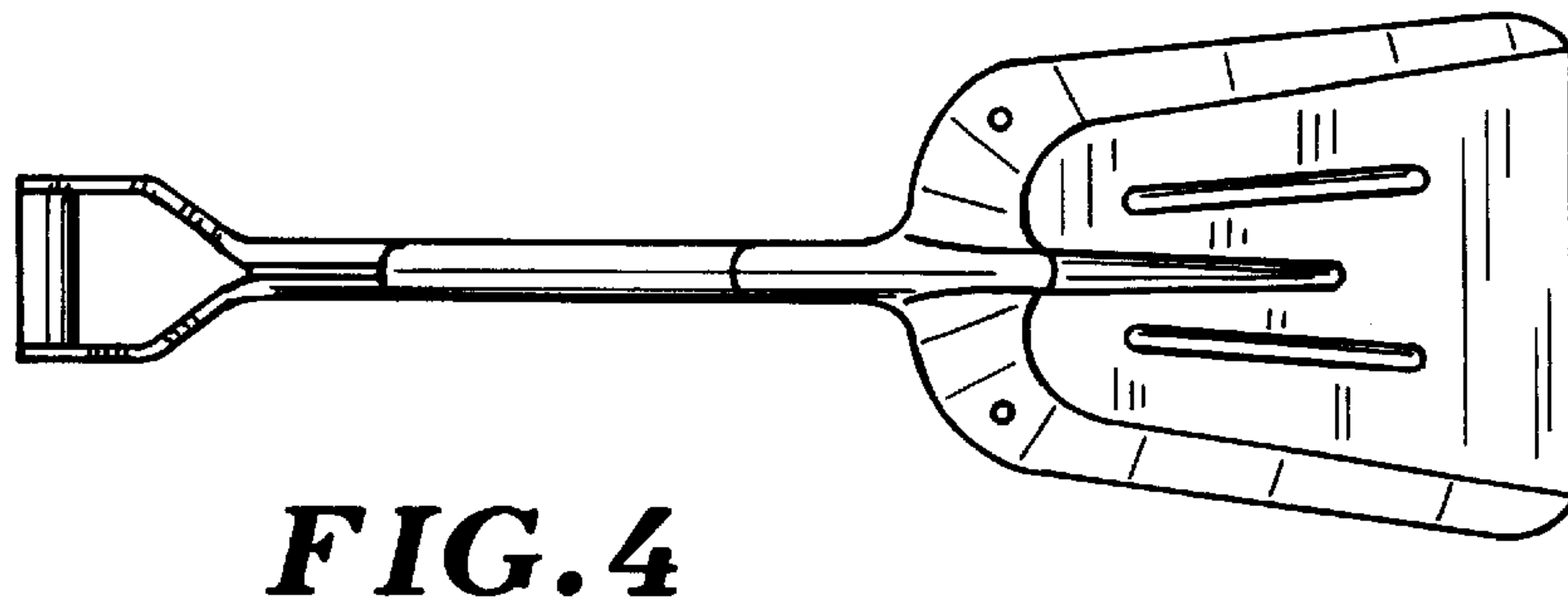
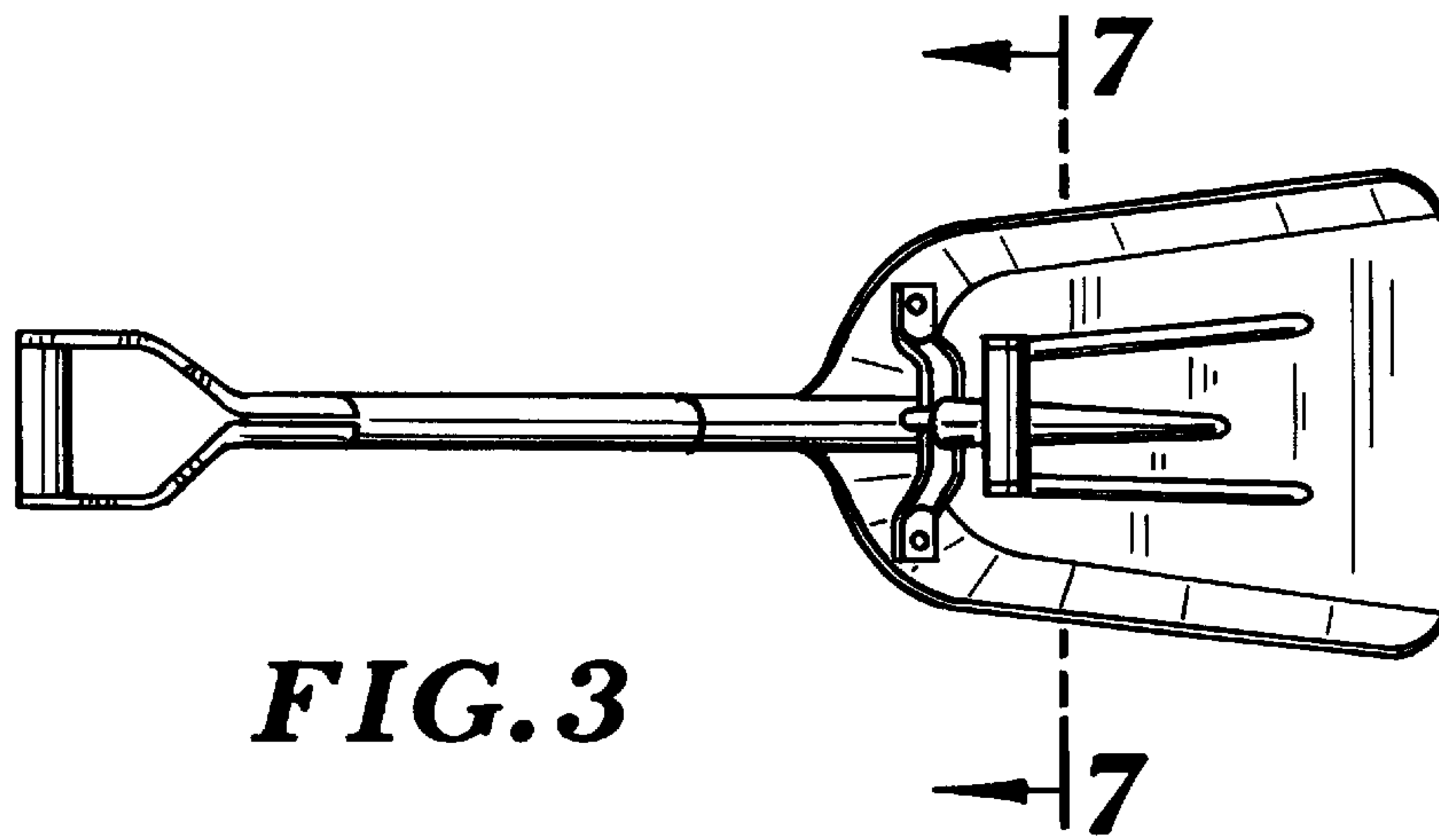


FIG. 2



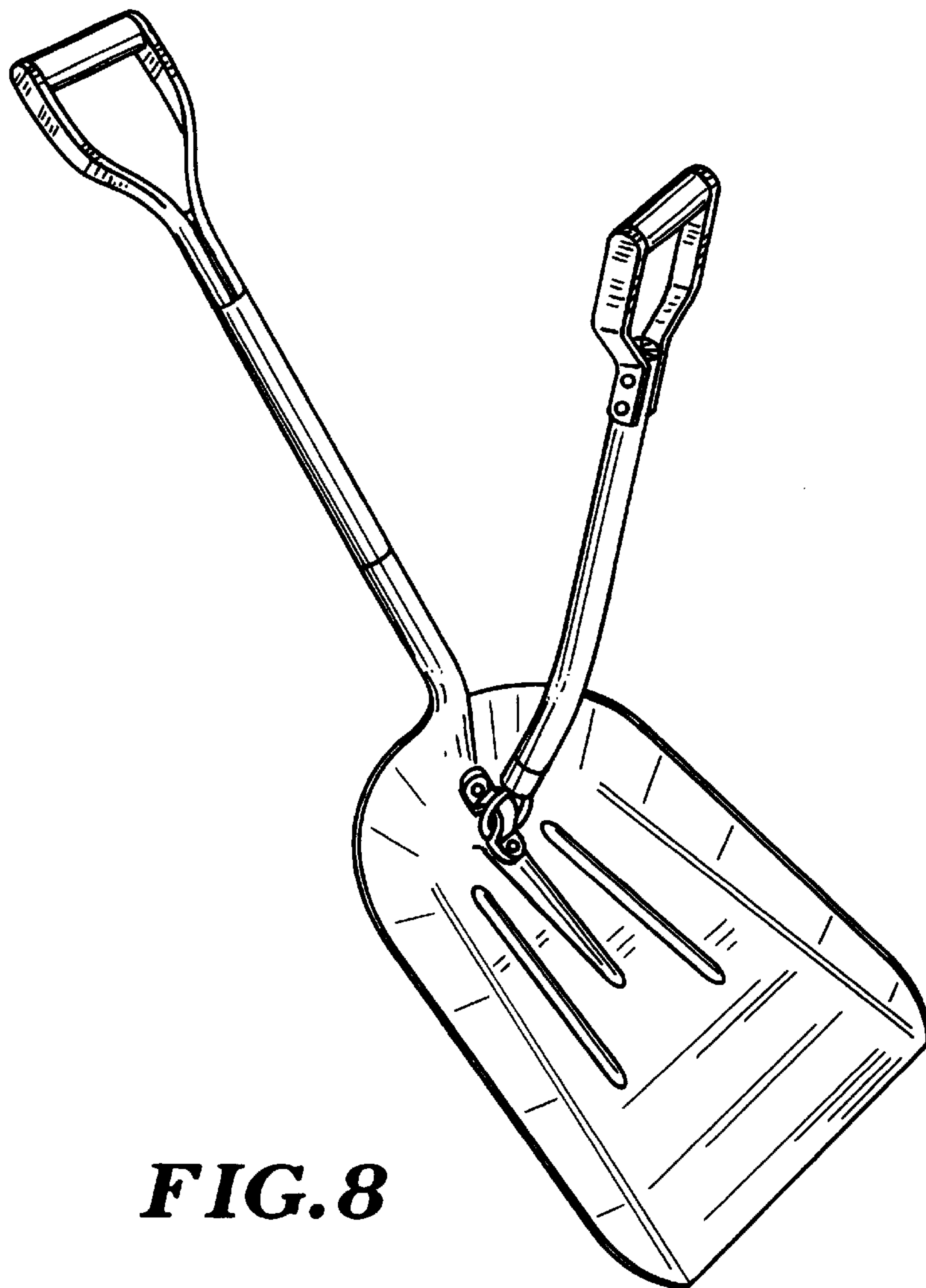


FIG. 8

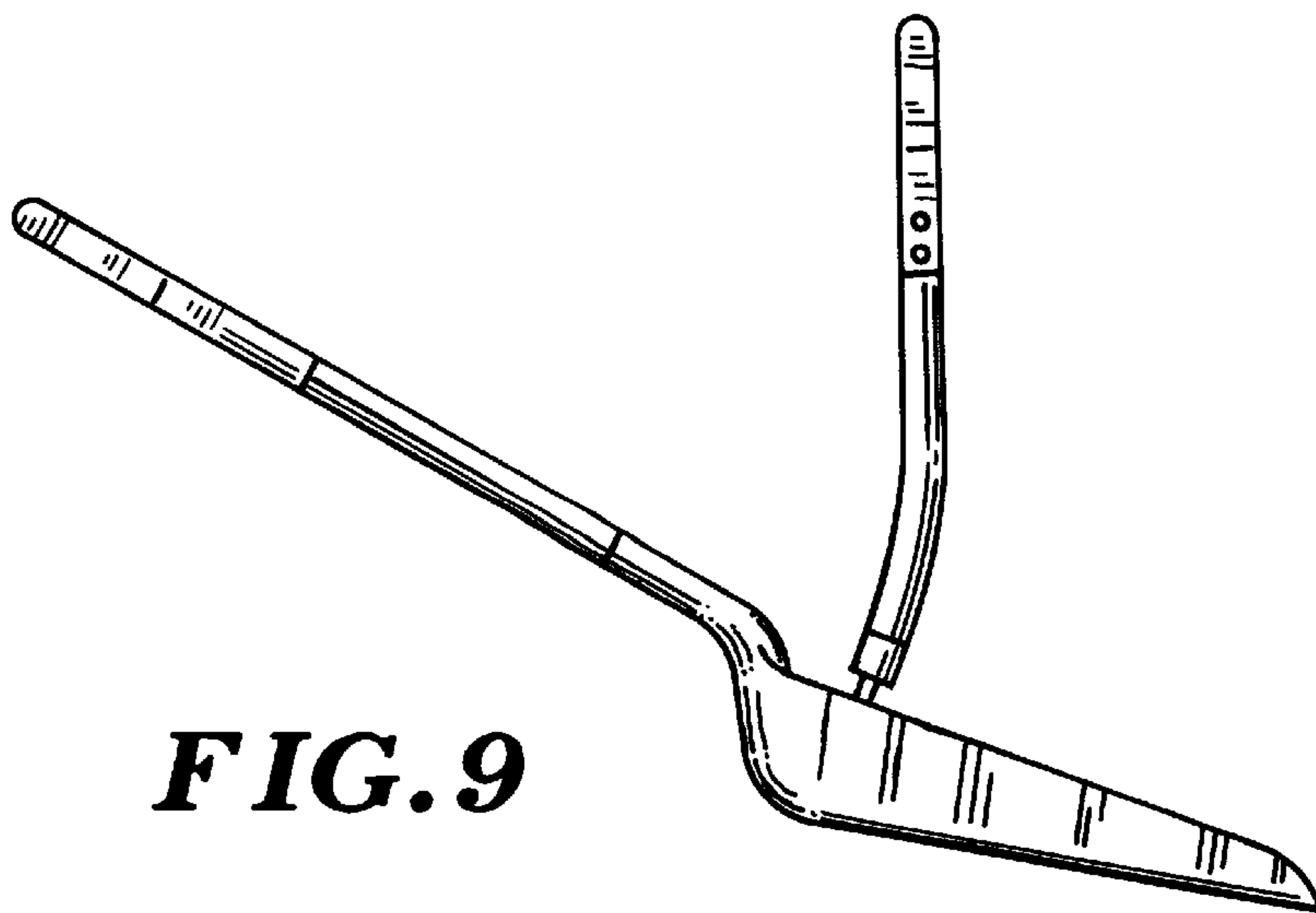


FIG. 9

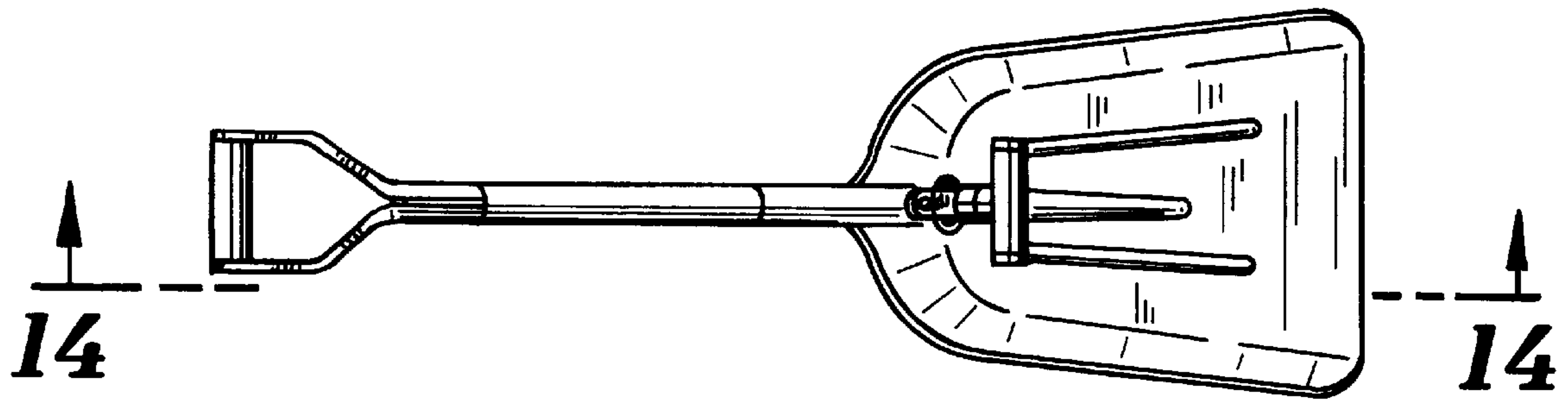


FIG. 10

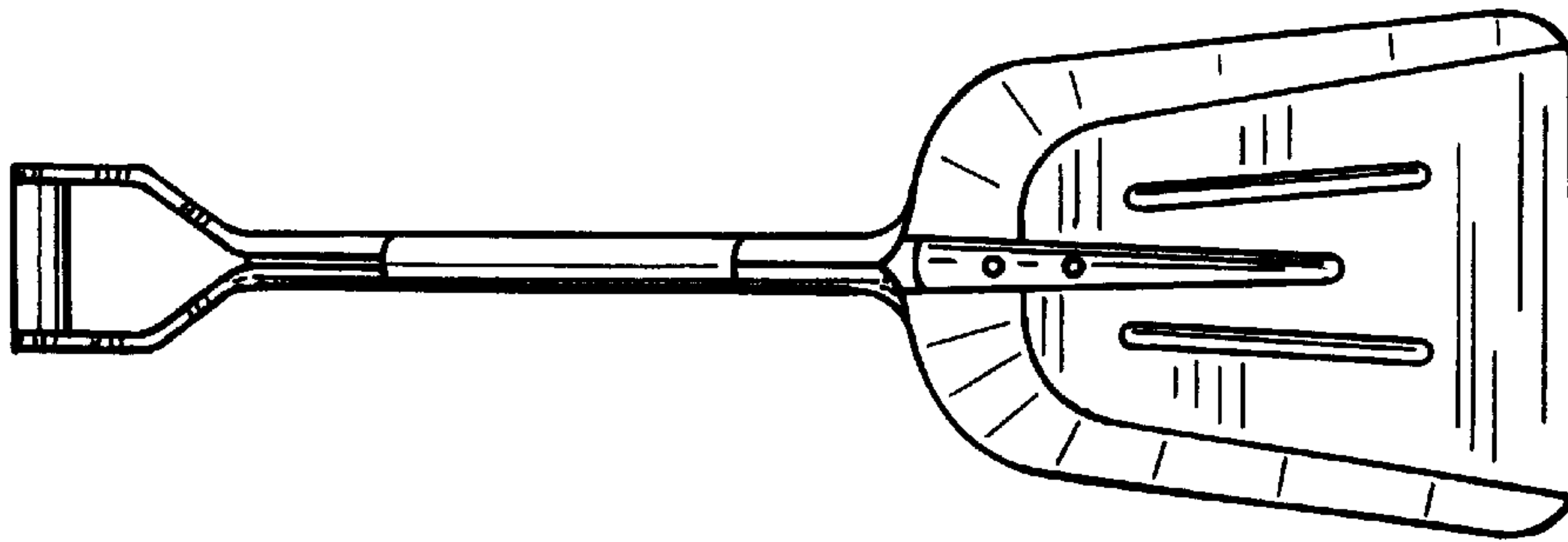


FIG. 11

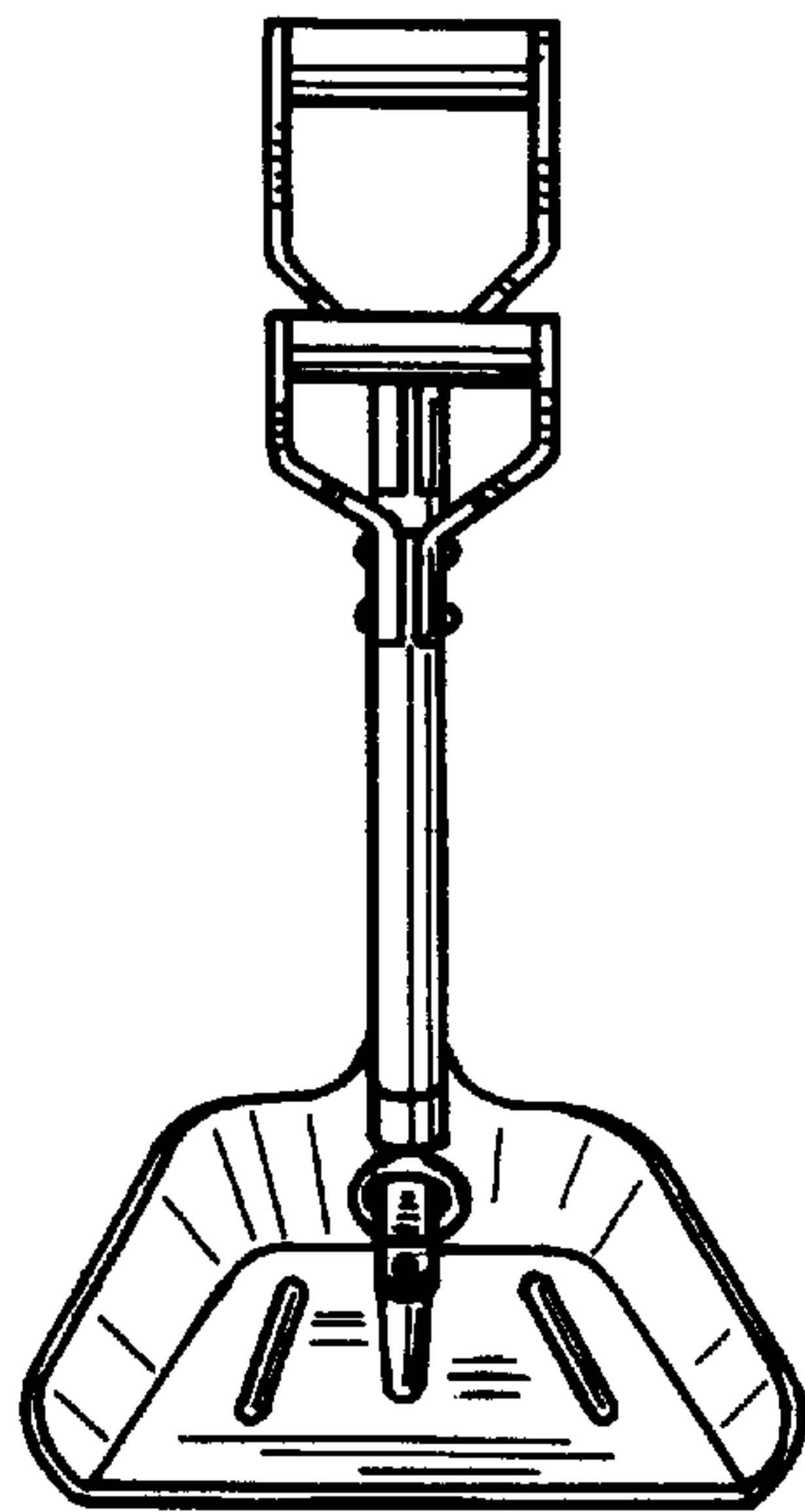


FIG. 12

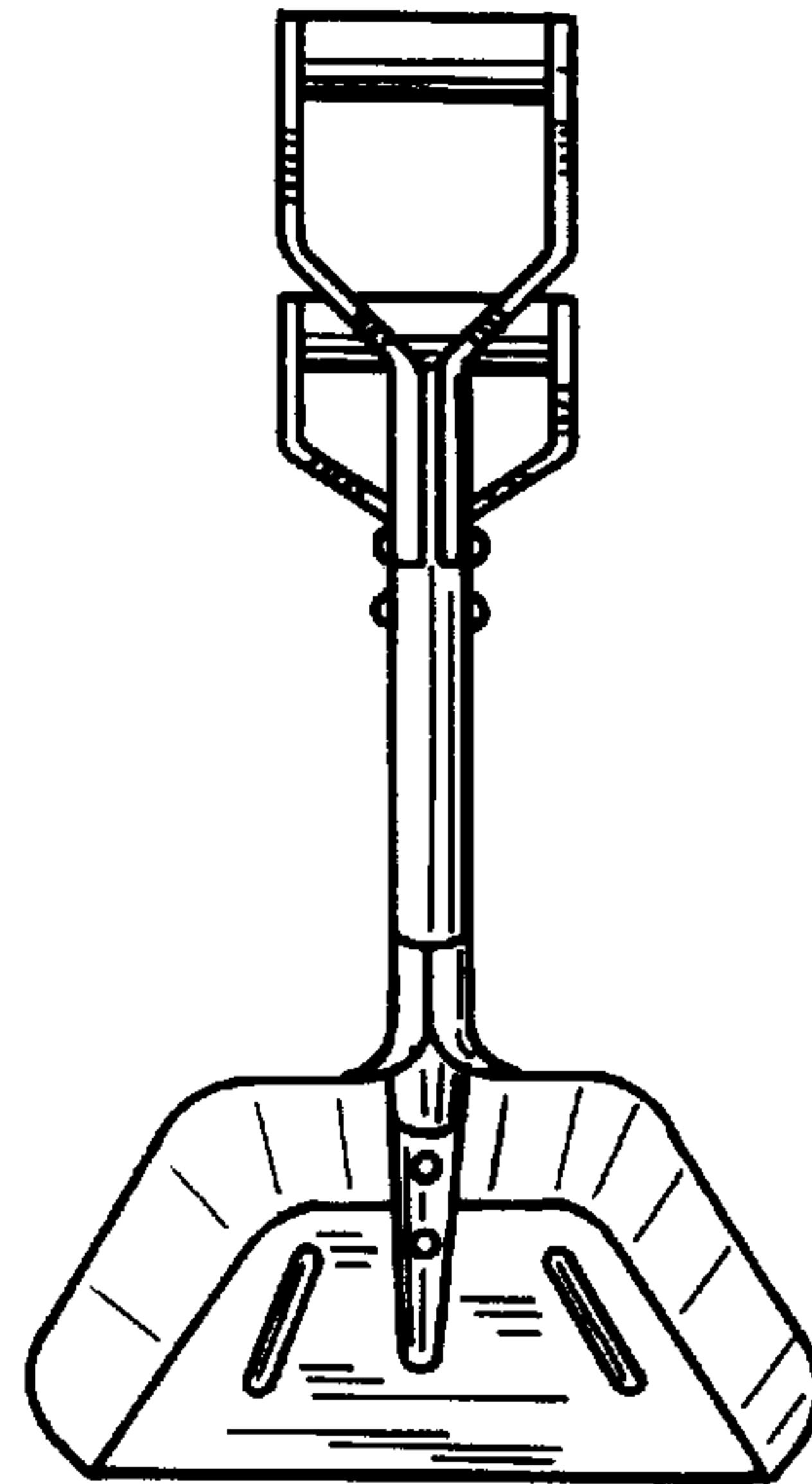


FIG. 13

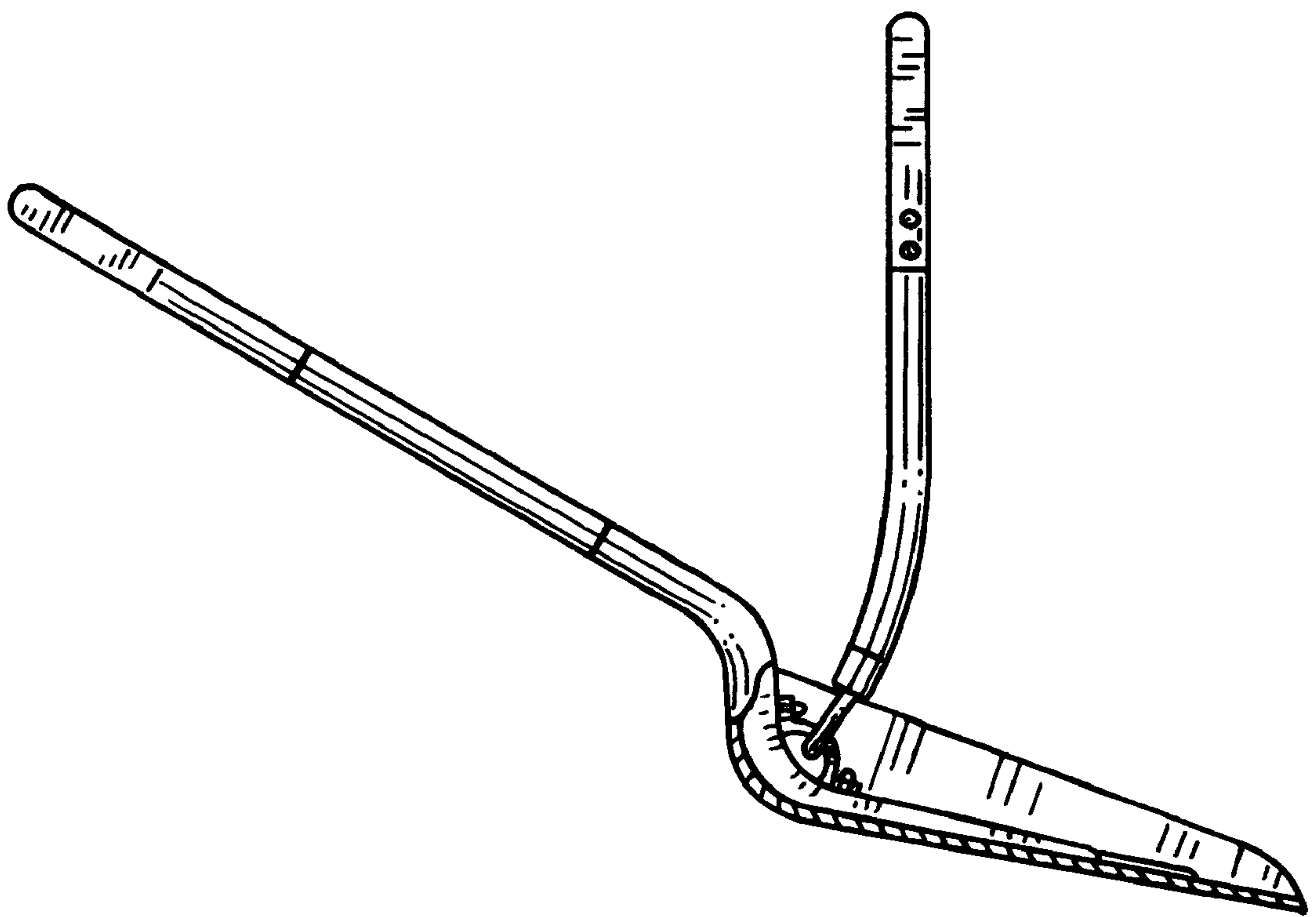


FIG. 14