



US00D441621S

(12) **United States Design Patent**
Levy

(10) **Patent No.:** **US D441,621 S**

(45) **Date of Patent:** **** May 8, 2001**

(54) **SERVING STAND**

5,178,286 * 1/1993 Allison, III 211/85.23

(76) Inventor: **Zubin Levy**, 2150 Gridley Rd., Ojai,
CA (US) 93023

* cited by examiner

(**) Term: **14 Years**

Primary Examiner—Terry A. Wallace

(74) *Attorney, Agent, or Firm*—Dowell & Dowell, P.C.

(21) Appl. No.: **29/124,262**

(57) **CLAIM**

(22) Filed: **Jun. 5, 2000**

The ornamental design for a serving stand, as shown and described.

(51) **LOC (7) Cl.** **07-06**

DESCRIPTION

(52) **U.S. Cl.** **D7/704**

FIG. 1 is a front perspective view of a serving stand showing my new design;

(58) **Field of Search** D7/701, 704, 707,
D7/708; D6/462, 467; 211/41.2, 41.7, 71.01,
74, 85.23, 85.31, 119.12, 128.1, 181.1

FIG. 2 is a front elevational view;

FIG. 3 is a left view, a view from the right side being a mirror image;

(56) **References Cited**

FIG. 4 is a rear elevational view;

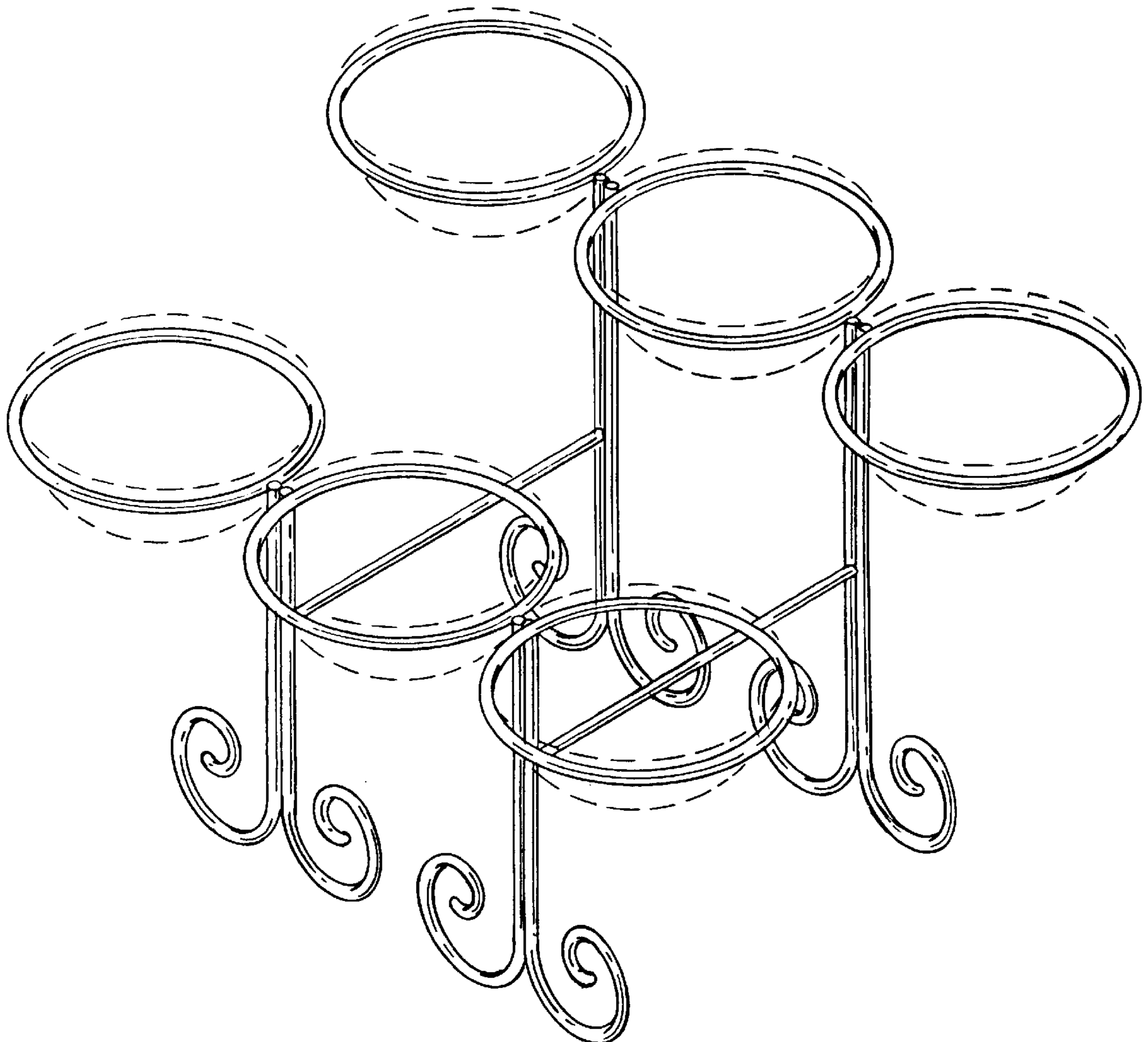
U.S. PATENT DOCUMENTS

FIG. 5 is a top plan view thereof; and,

FIG. 6 is a bottom plan view.

681,936 * 9/1901 Soady 211/181.1
1,093,337 * 4/1914 Kishler 211/181.1 X

1 Claim, 4 Drawing Sheets



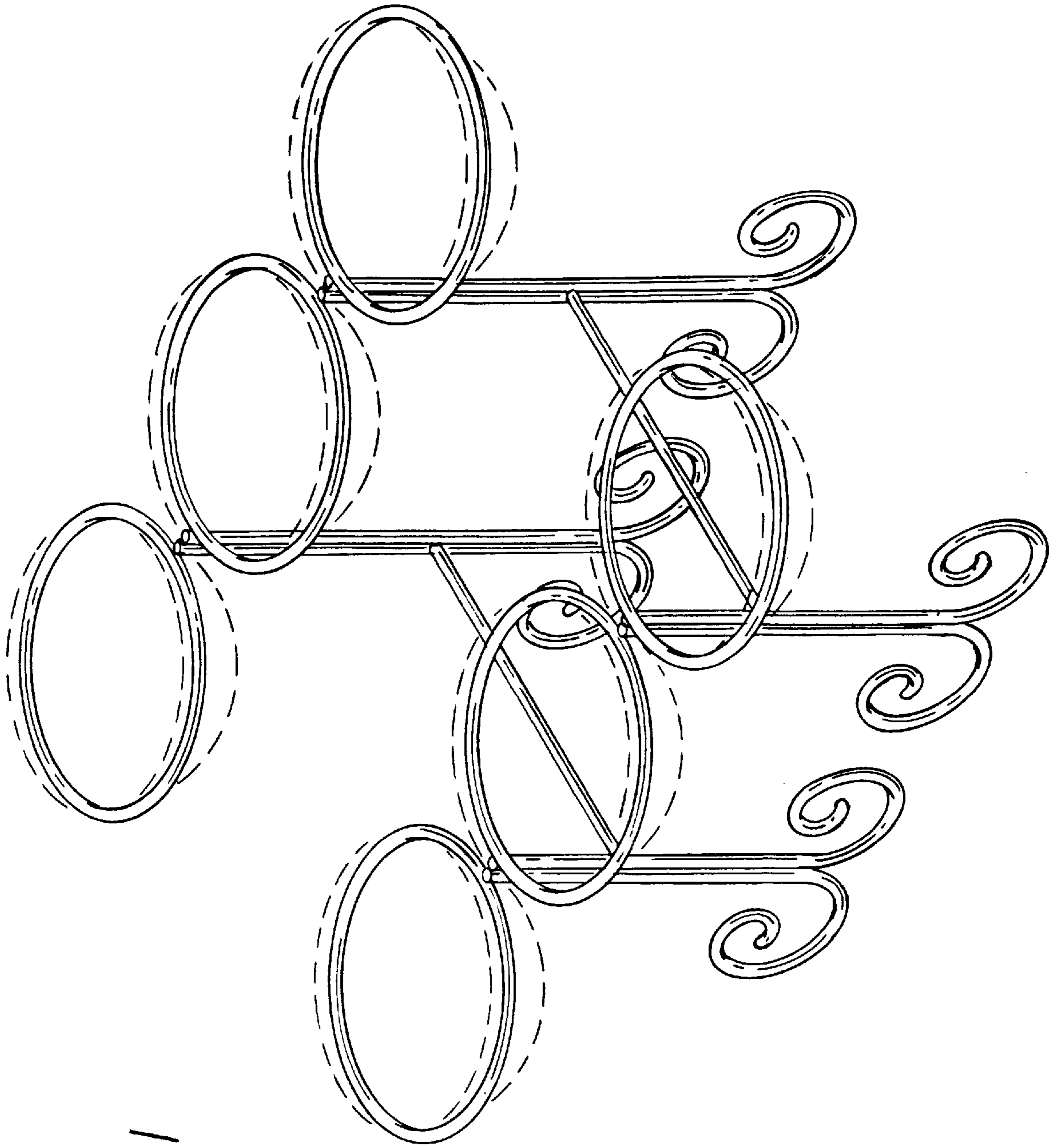


FIG. 1

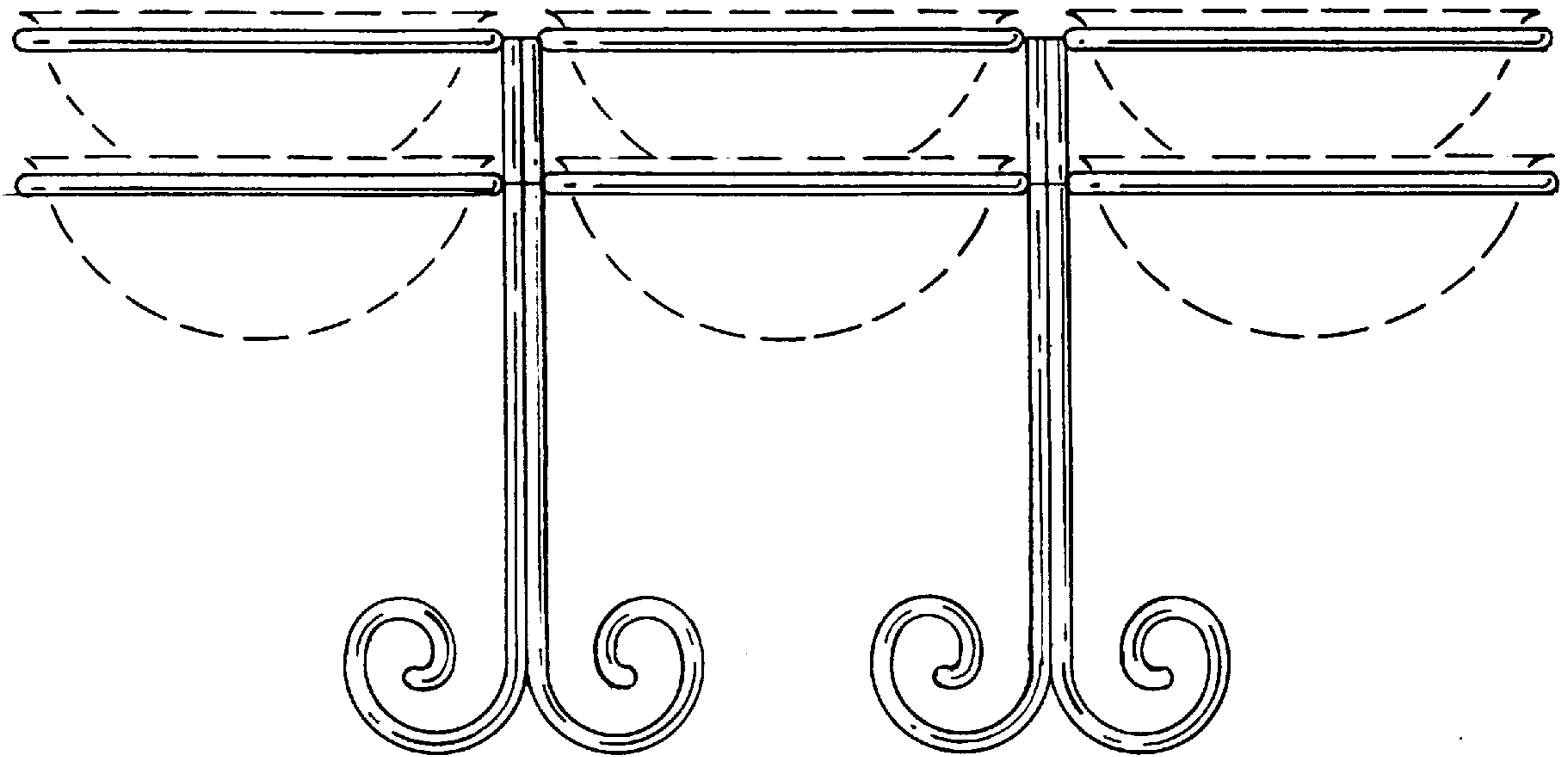


FIG. 2

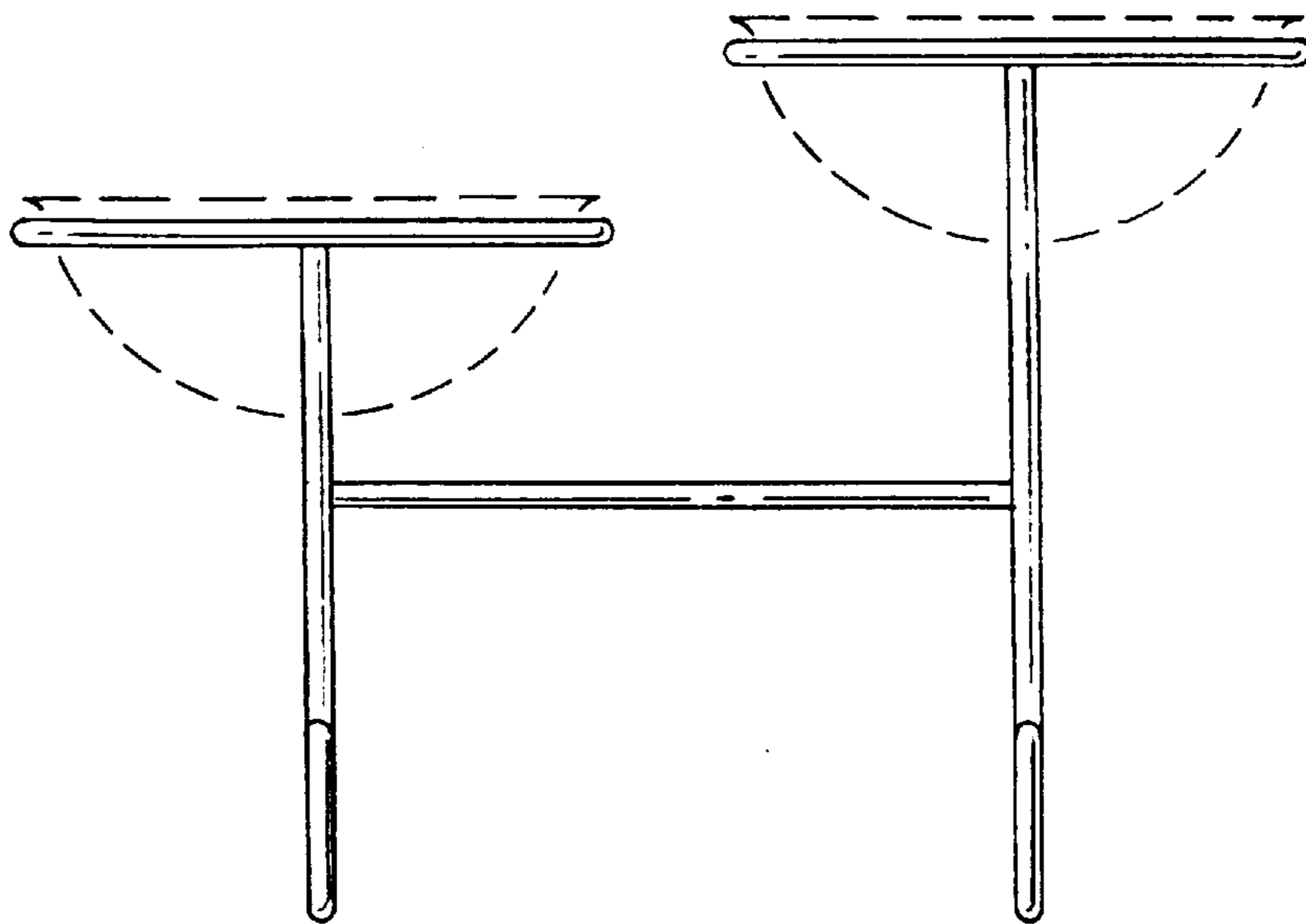


FIG. 3

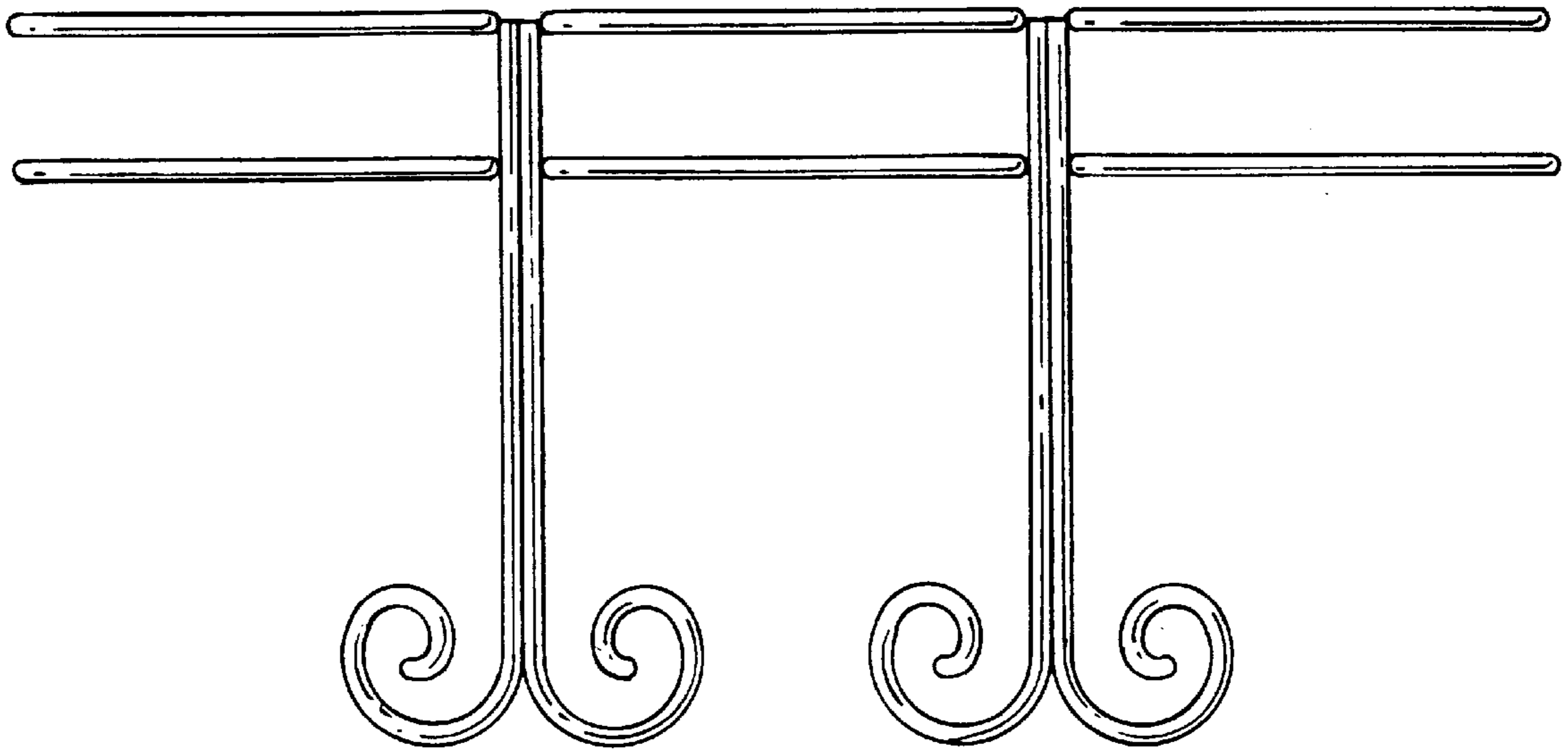


FIG. 4

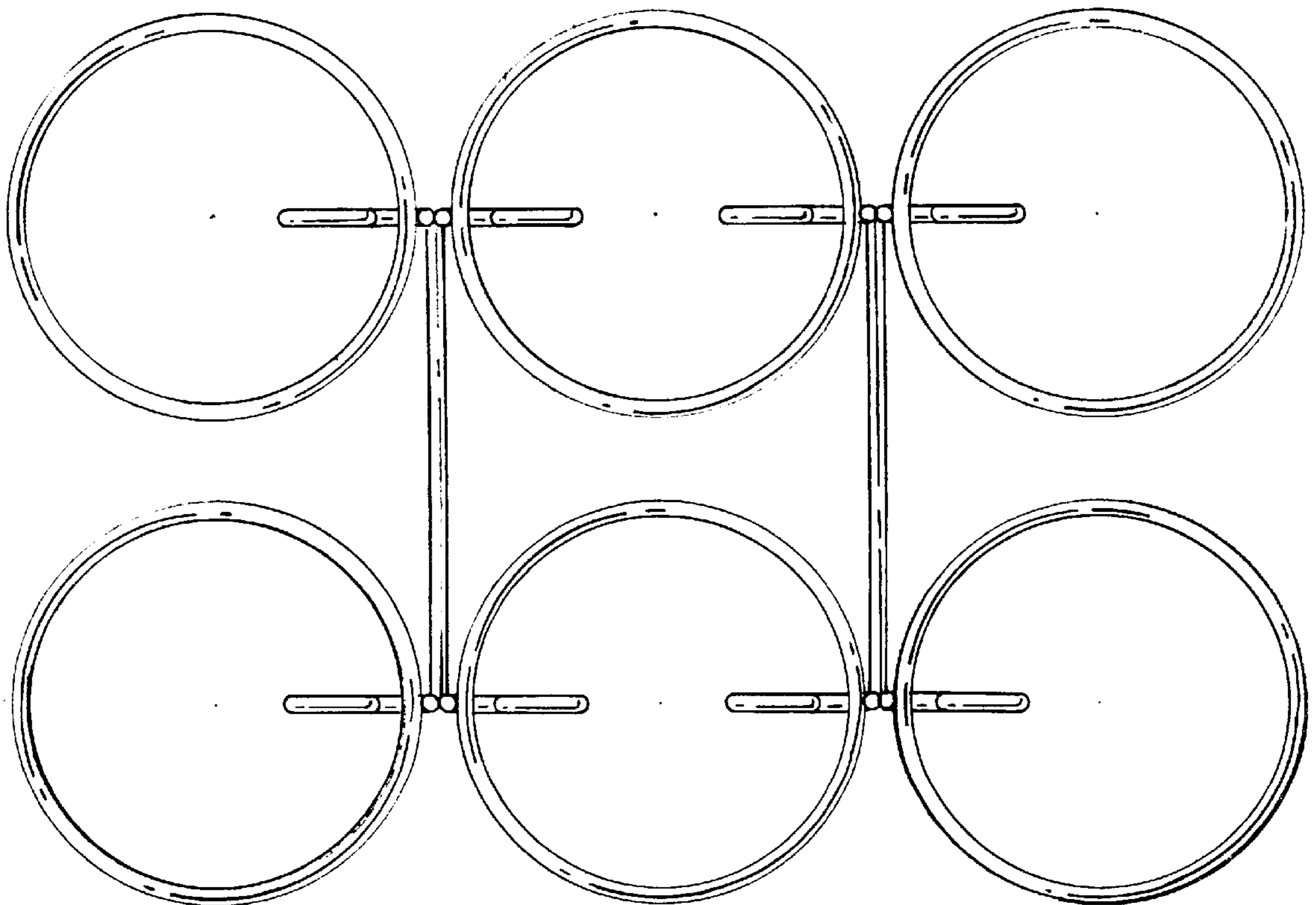


FIG. 5

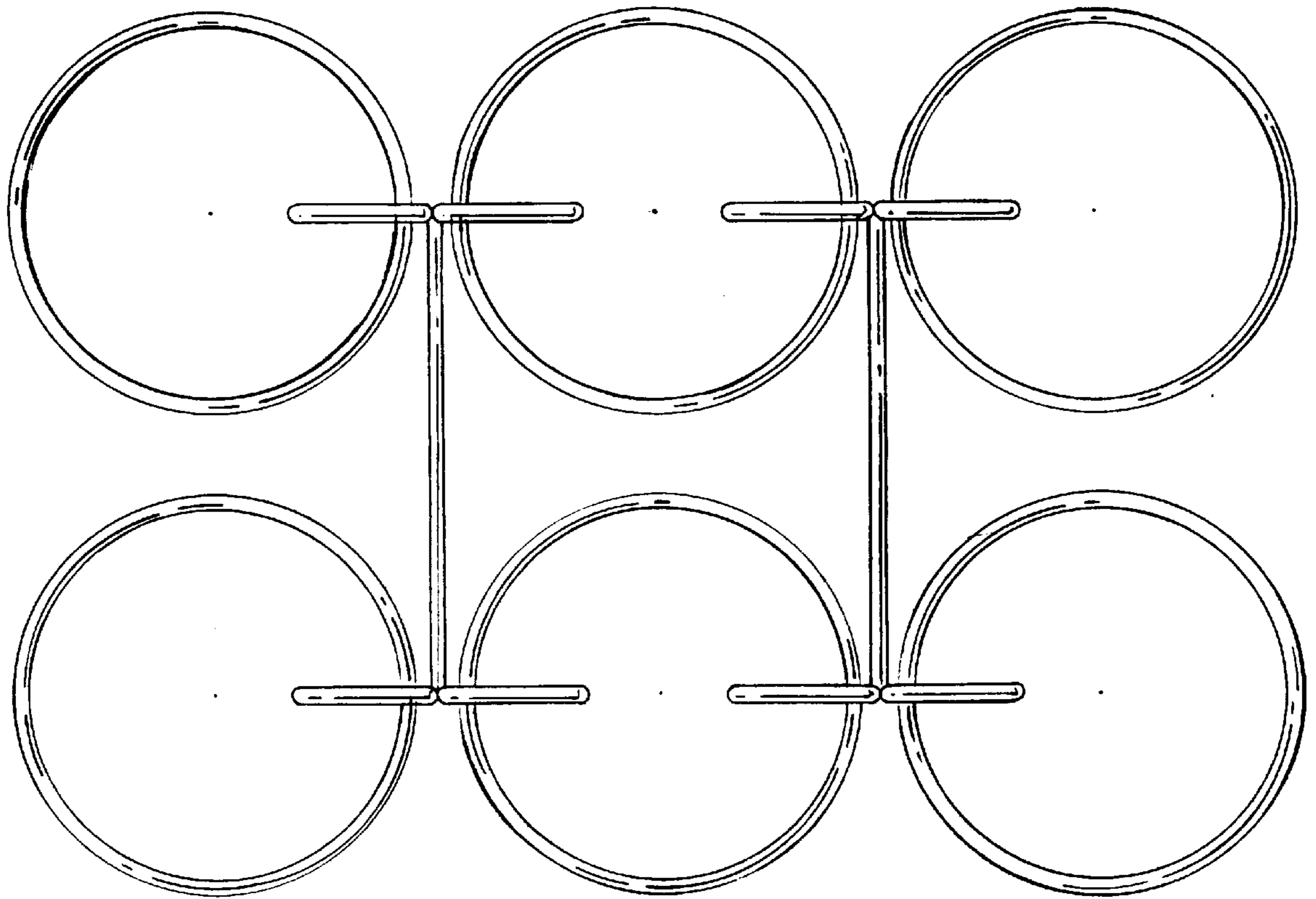


FIG. 6