



US00D441618S

(12) **United States Design Patent**  
**Yip**

(10) **Patent No.:** **US D441,618 S**

(45) **Date of Patent:** **\*\* May 8, 2001**

(54) **PEPPER MILL**

D. 284,252 \* 6/1986 Lichtenvort ..... D7/679  
D. 362,598 \* 9/1995 Kibbe ..... D7/679 X

(76) Inventor: **Chung Lun Yip**, 3rd Floor, Blocks A & C, King Yip Factory Building, No. 59 King Yip Street, Kwun Tong, Kowloon (HK)

\* cited by examiner

*Primary Examiner*—Terry A. Wallace  
(74) *Attorney, Agent, or Firm*—Brinks Hofer Gilson & Lione

(\*\*) Term: **14 Years**

(21) Appl. No.: **29/116,583**

(22) Filed: **Jan. 5, 2000**

(51) **LOC (7) Cl.** ..... **07-06**

(52) **U.S. Cl.** ..... **D7/679**

(58) **Field of Search** ..... D7/590, 591, 596,  
D7/597, 679; 241/168, 169.1, 169.2; 222/142.1–142.9;  
D9/515

(57) **CLAIM**

The ornamental design for a pepper mill, as shown.

**DESCRIPTION**

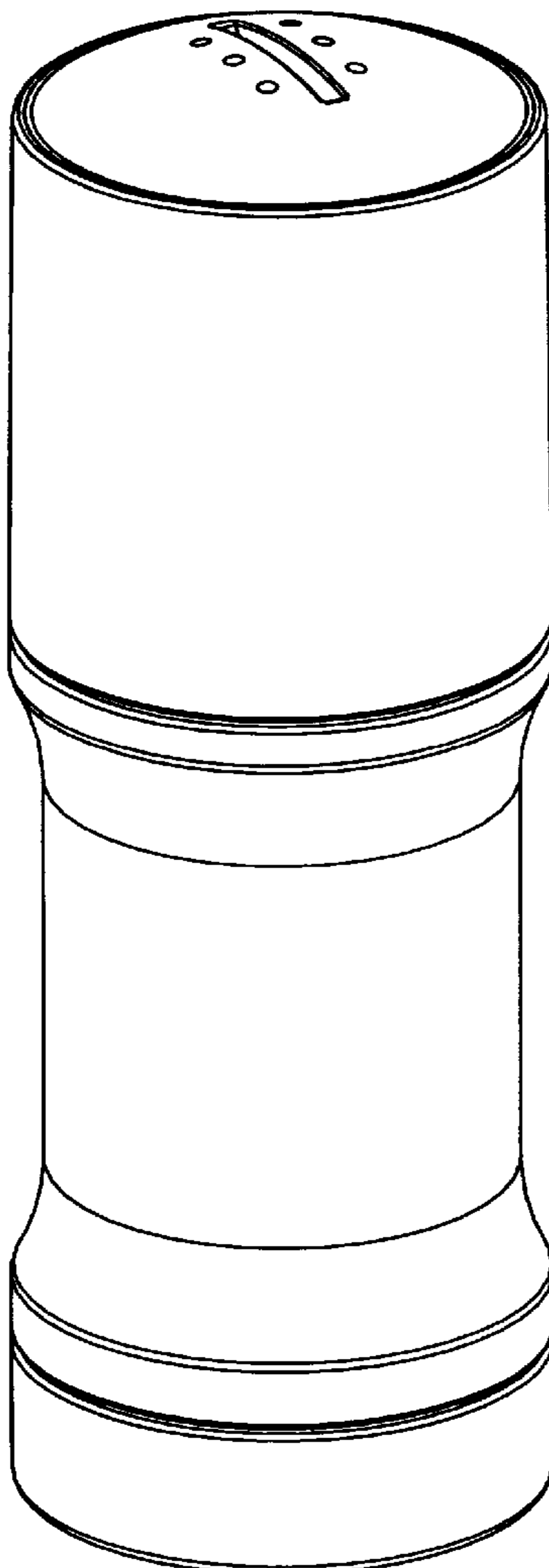
FIG. 1 is a top perspective view of a pepper mill that incorporates my new design;  
FIG. 2 is a front view thereof;  
FIG. 3 is a rear view thereof;  
FIG. 4 is a left side view thereof;  
FIG. 5 is a right side view thereof;  
FIG. 6 is a top view thereof; and,  
FIG. 7 is a bottom view thereof.

(56) **References Cited**

**U.S. PATENT DOCUMENTS**

D. 187,162 \* 2/1960 Lerner et al. .... D9/515  
D. 248,811 \* 8/1978 Schlessel ..... D7/679

**1 Claim, 7 Drawing Sheets**



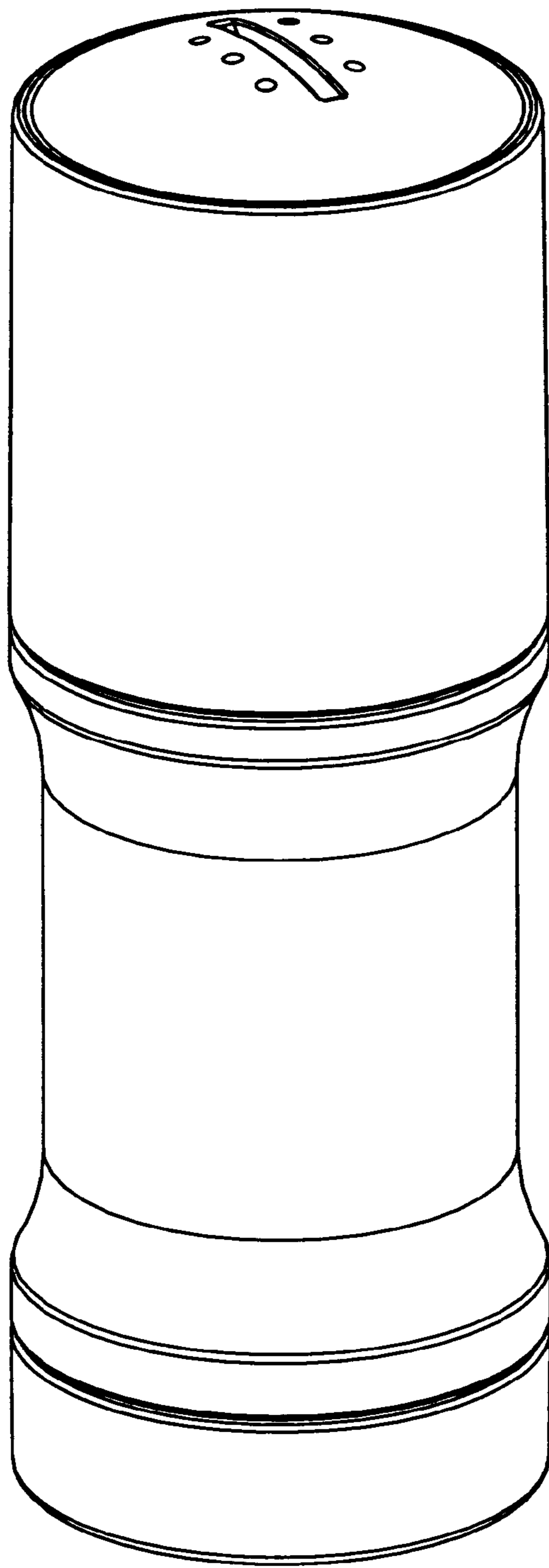


Fig.1

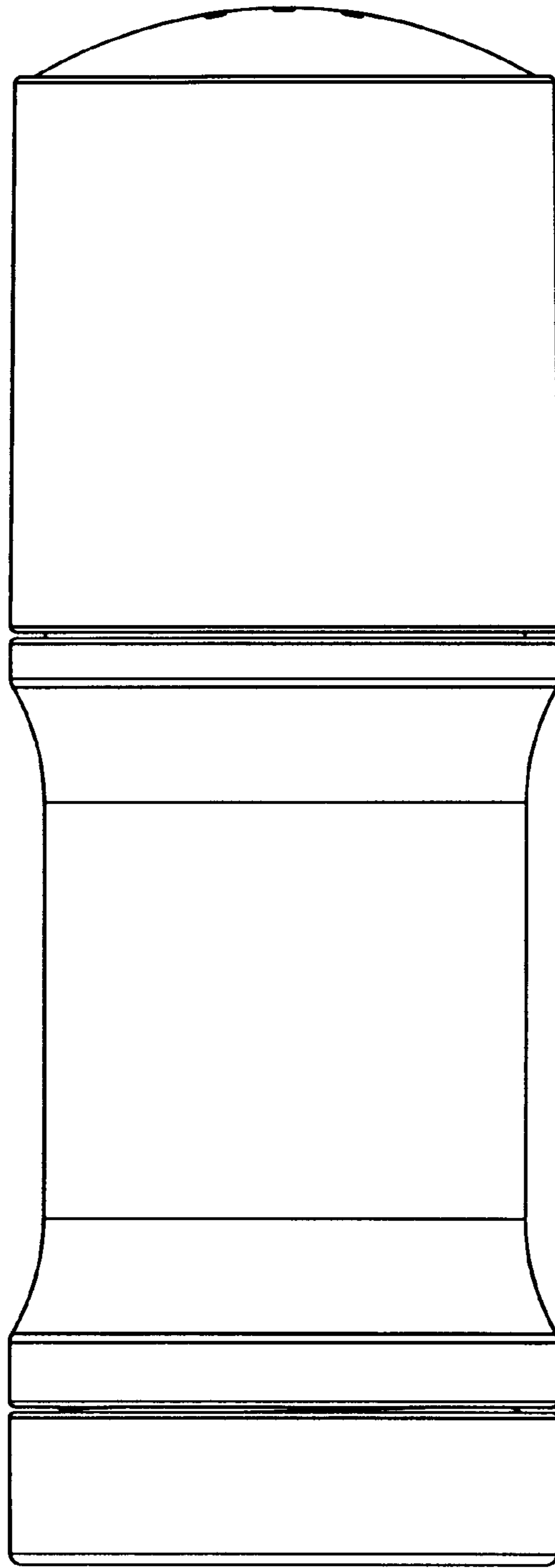


Fig.2

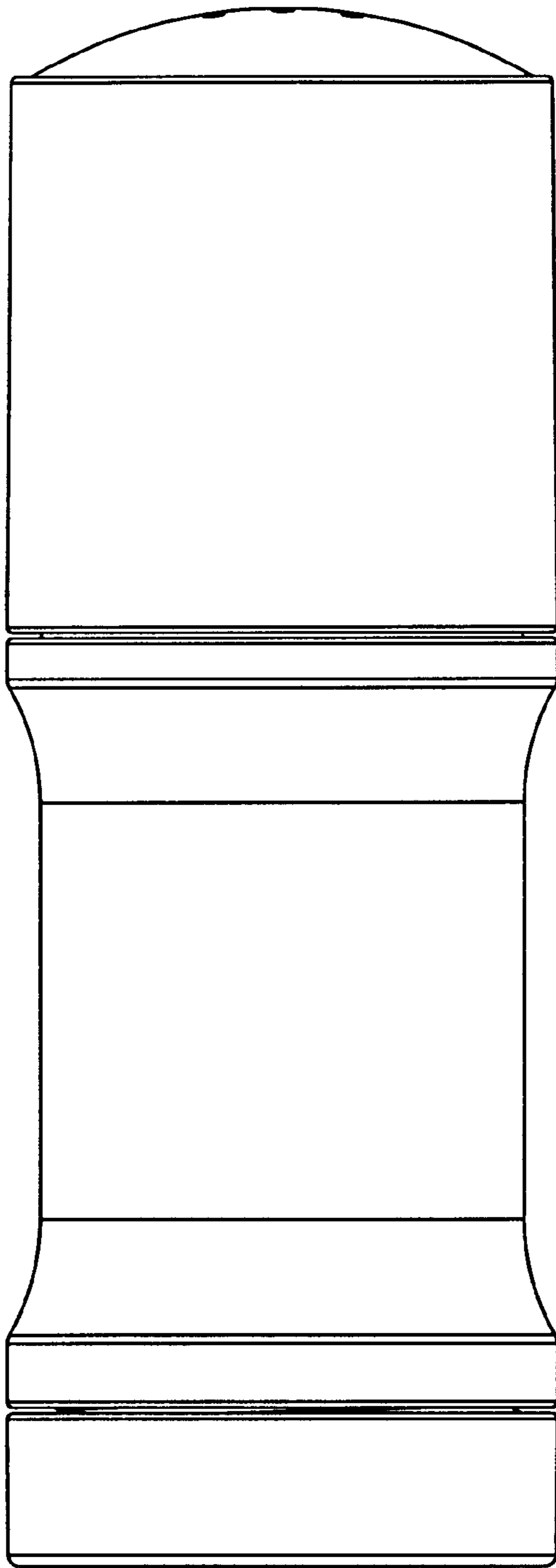


Fig.3

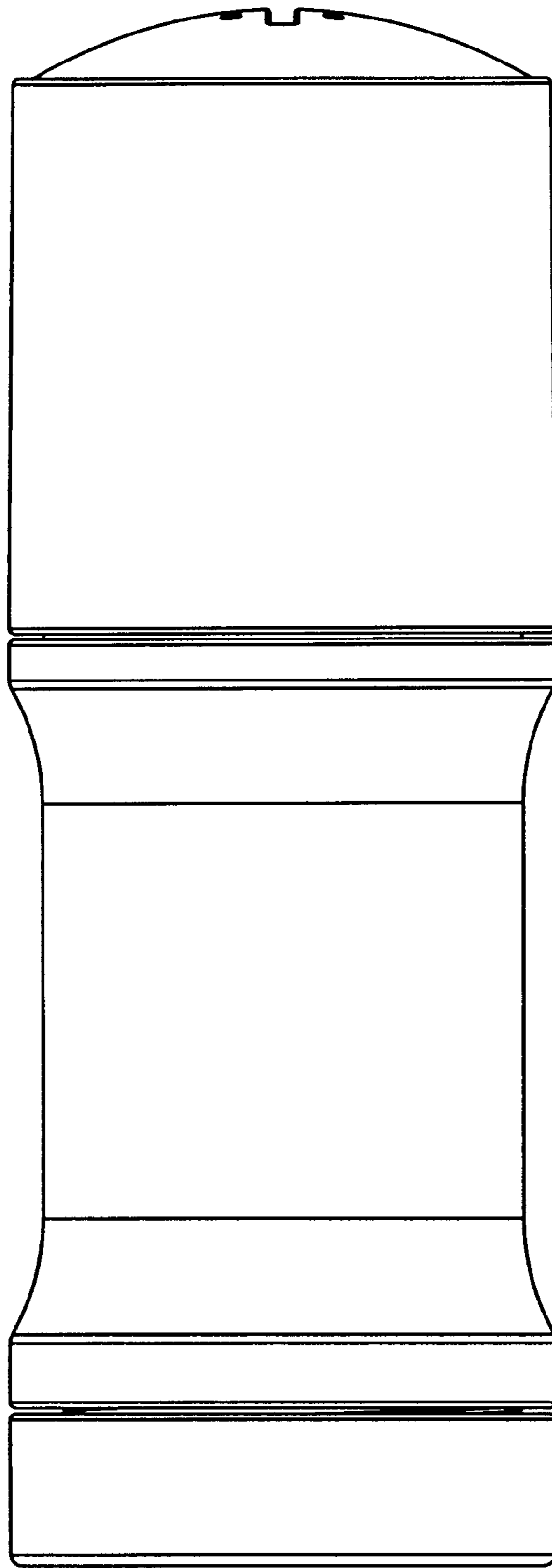


Fig.4

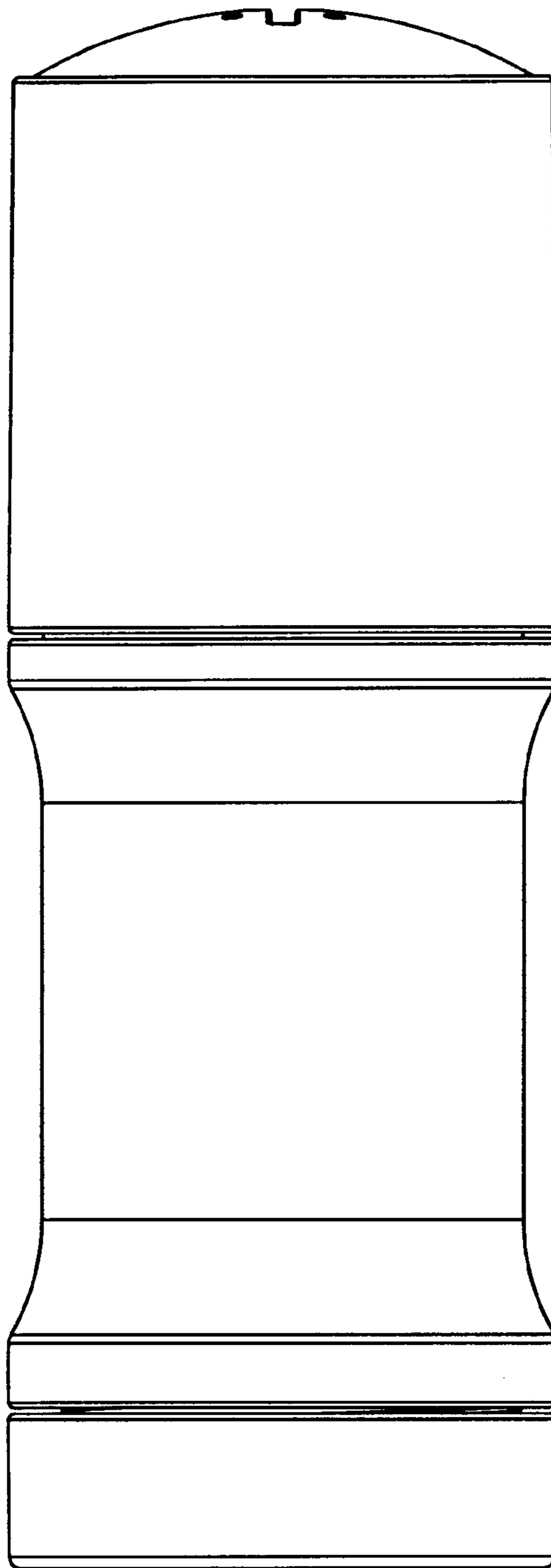


Fig.5

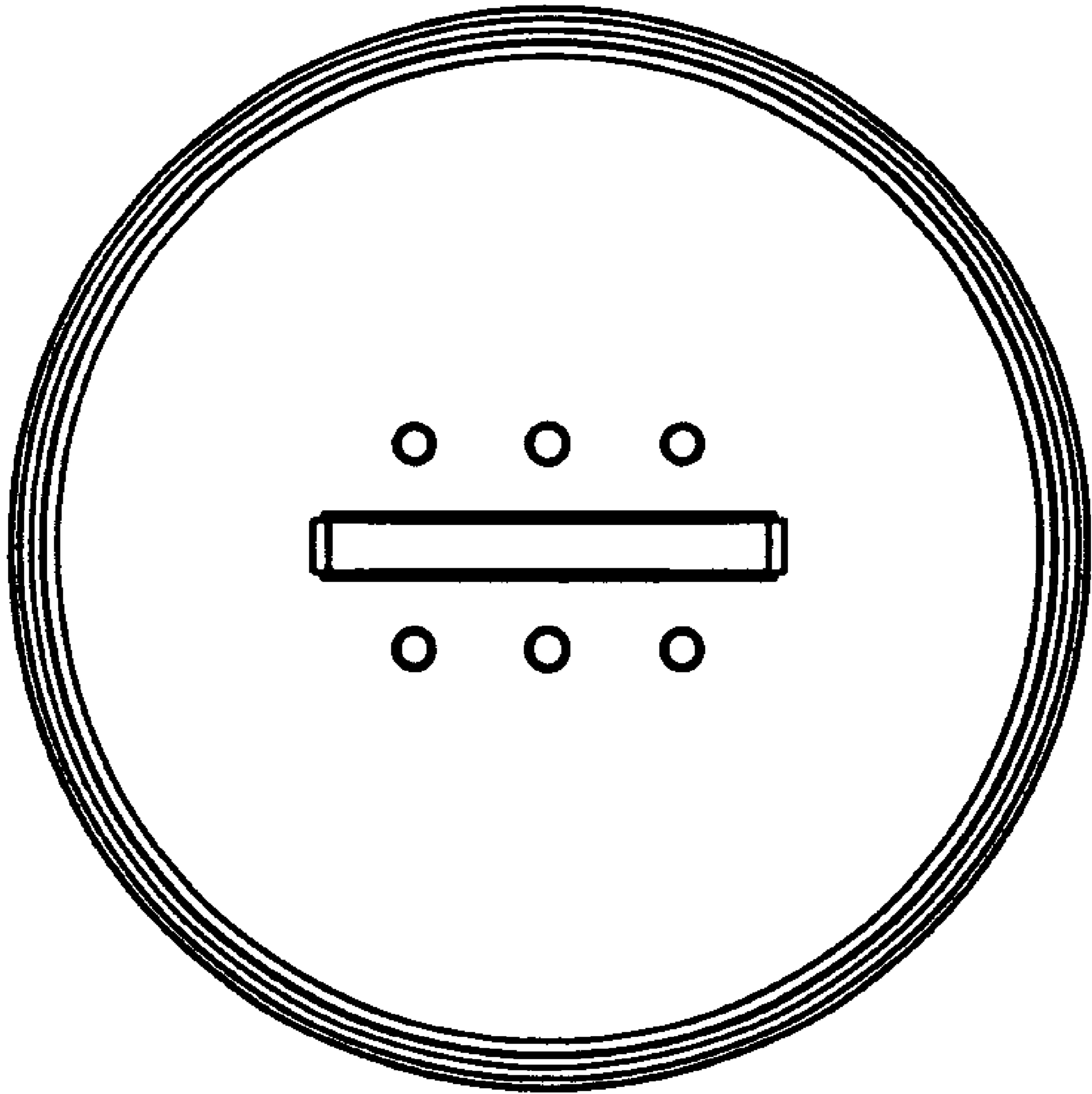


Fig. 6

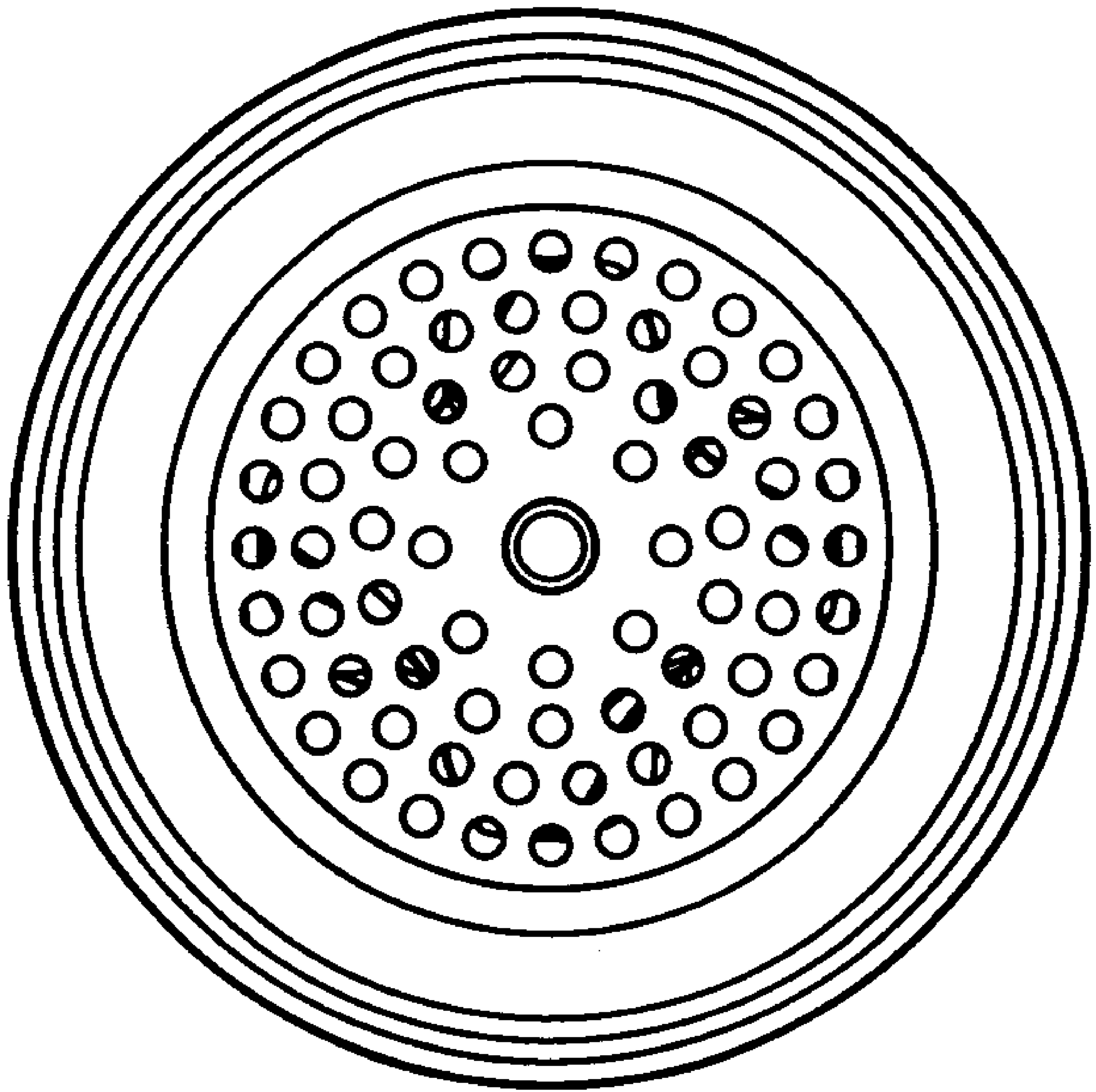


Fig. 7