



US00D441617S

(12) **United States Design Patent**
Lin

(10) **Patent No.:** **US D441,617 S**

(45) **Date of Patent:** **** May 8, 2001**

(54) **KITCHENWARE ORGANIZER**

(76) Inventor: **Cheng Tung Lin**, No. 11, Shing Gong Road, Yung Kang, Tainan Hsien (TW)

(**) Term: **14 Years**

(21) Appl. No.: **29/125,379**

(22) Filed: **Jun. 22, 2000**

(51) **LOC (7) Cl.** **06-04**

(52) **U.S. Cl.** **D7/640**

(58) **Field of Search** D7/637-641; D19/75, D19/77, 78, 81, 84; 211/13.1, 70.6, 70.7; 248/37.3, 37.6

(56) **References Cited**

U.S. PATENT DOCUMENTS

- D. 380,353 * 7/1997 Cohen et al. D7/641
- 5,361,915 * 11/1994 Cohen et al. 211/70.7
- 5,775,518 * 7/1998 Connor 211/70.7

* cited by examiner

Primary Examiner—Terry A. Wallace

(74) *Attorney, Agent, or Firm*—Bacon & Thomas, PLLC

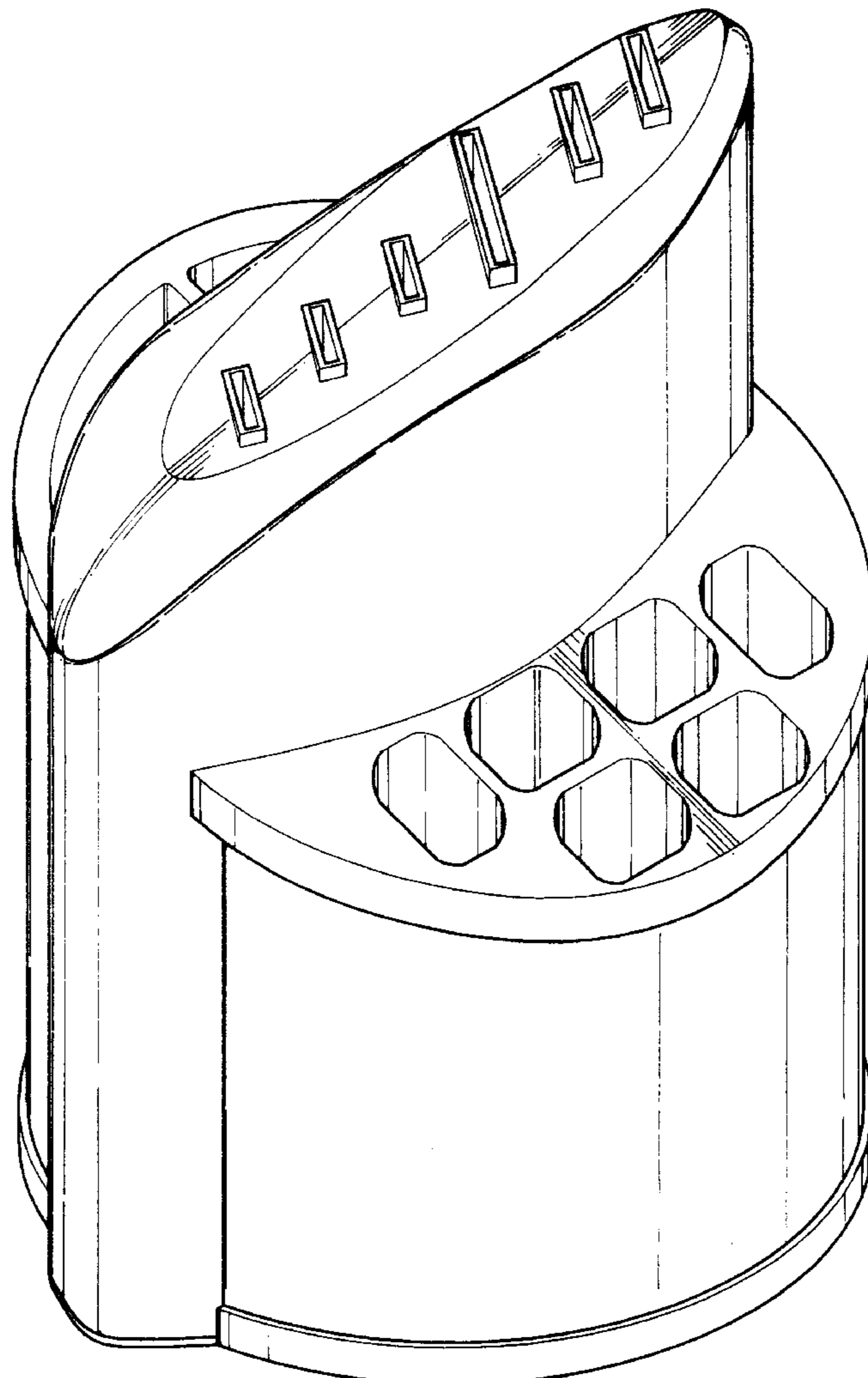
(57) **CLAIM**

The ornamental design for a kitchenware organizer, as shown and described.

DESCRIPTION

FIG. 1 is a perspective view of a kitchenware organizer showing my new design;
 FIG. 2 is a right side elevational view thereof;
 FIG. 3 is a top plan view thereof;
 FIG. 4 is a front elevational view thereof;
 FIG. 5 is a bottom plan view thereof;
 FIG. 6 is a left side elevational view thereof; and,
 FIG. 7 is a rear elevational view thereof.

1 Claim, 7 Drawing Sheets



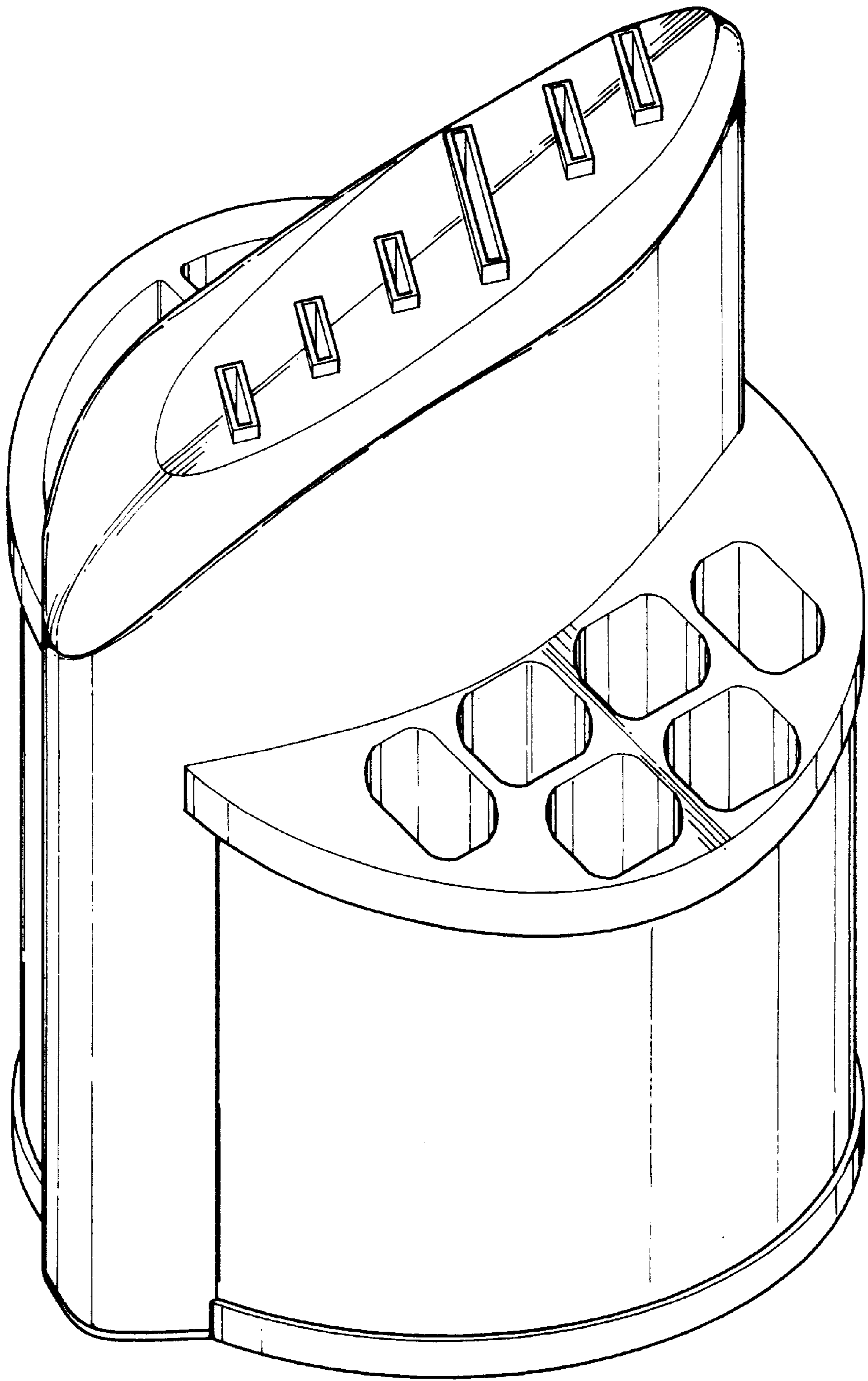


FIG. 1

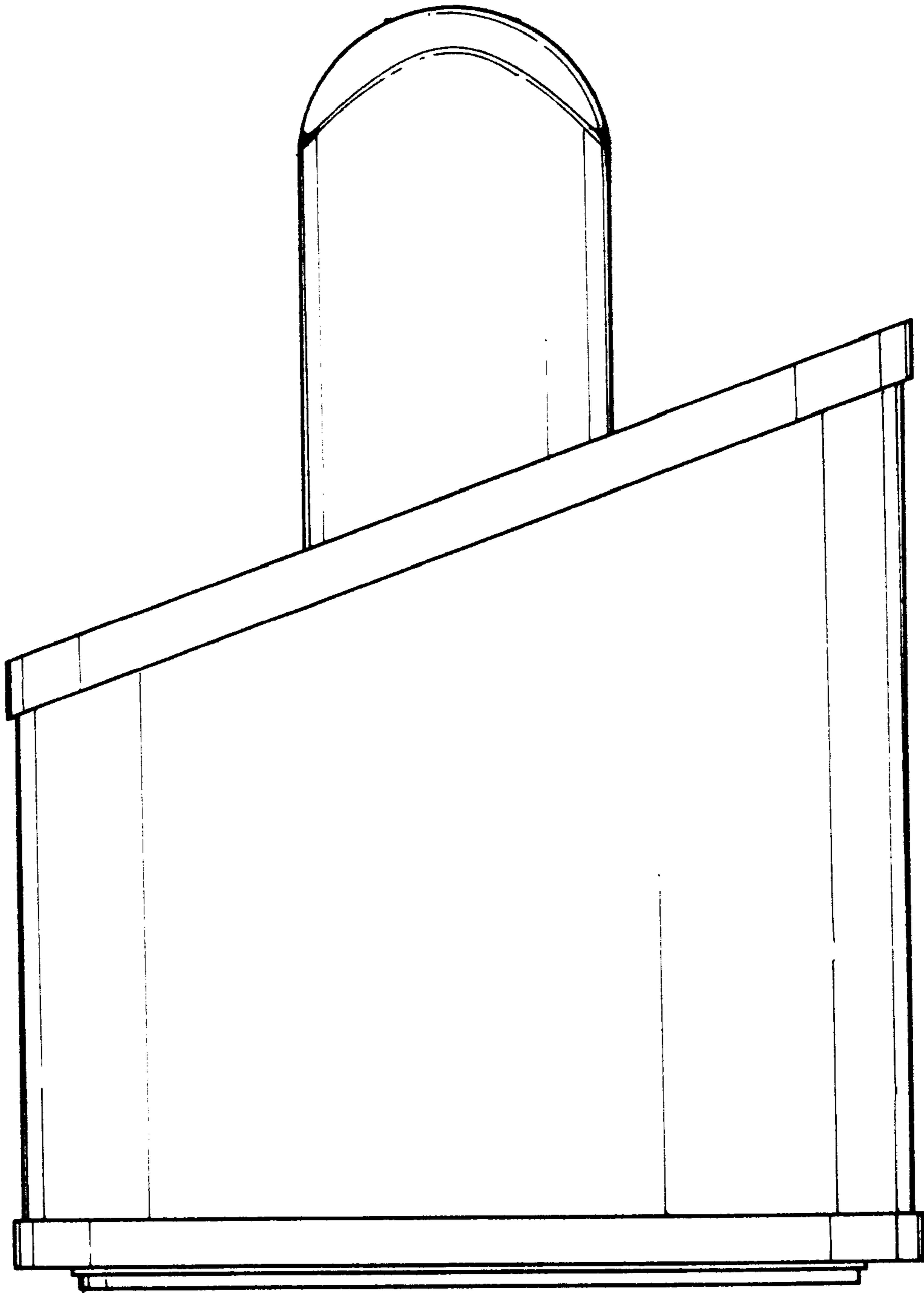


FIG. 2

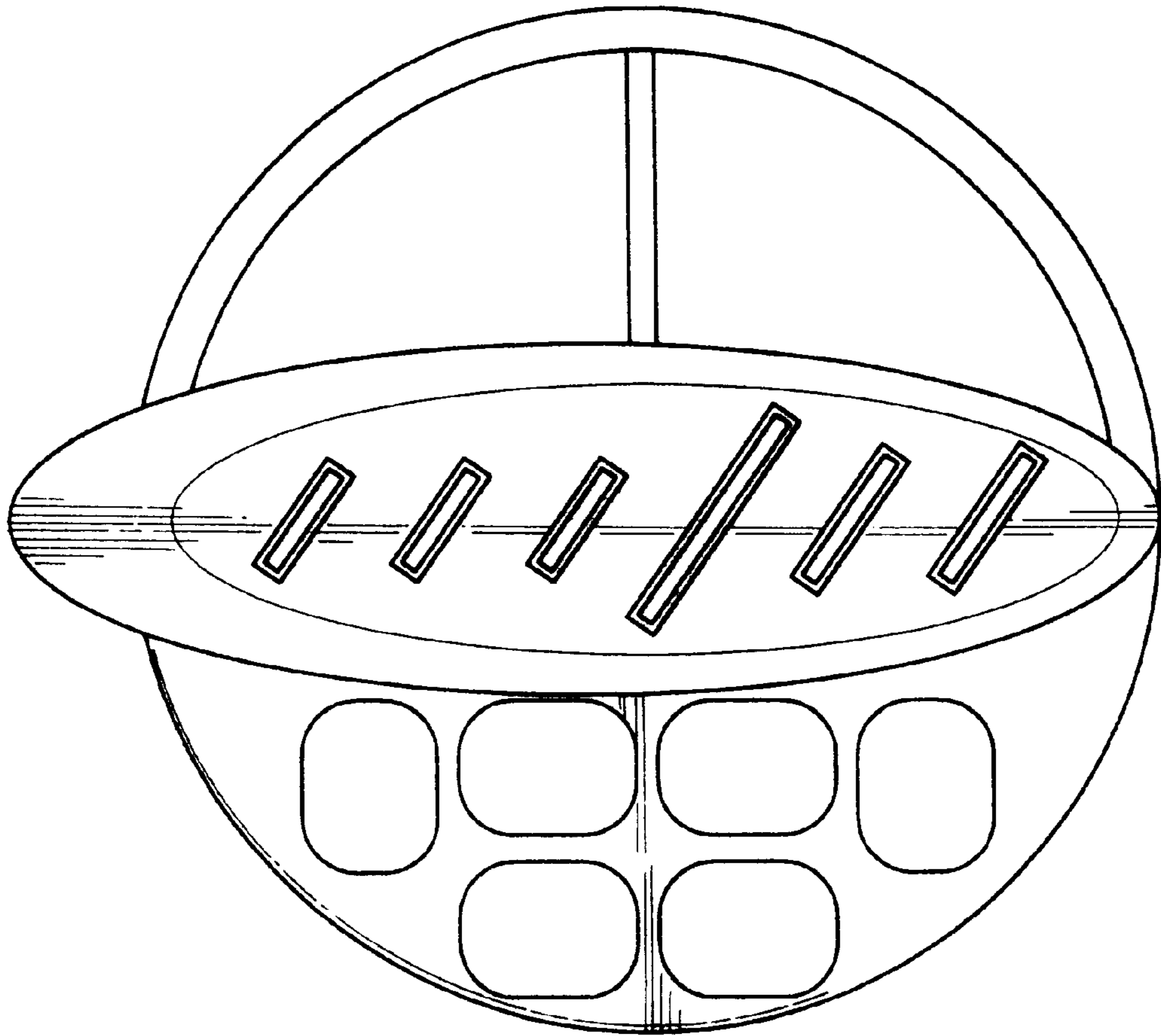


FIG. 3

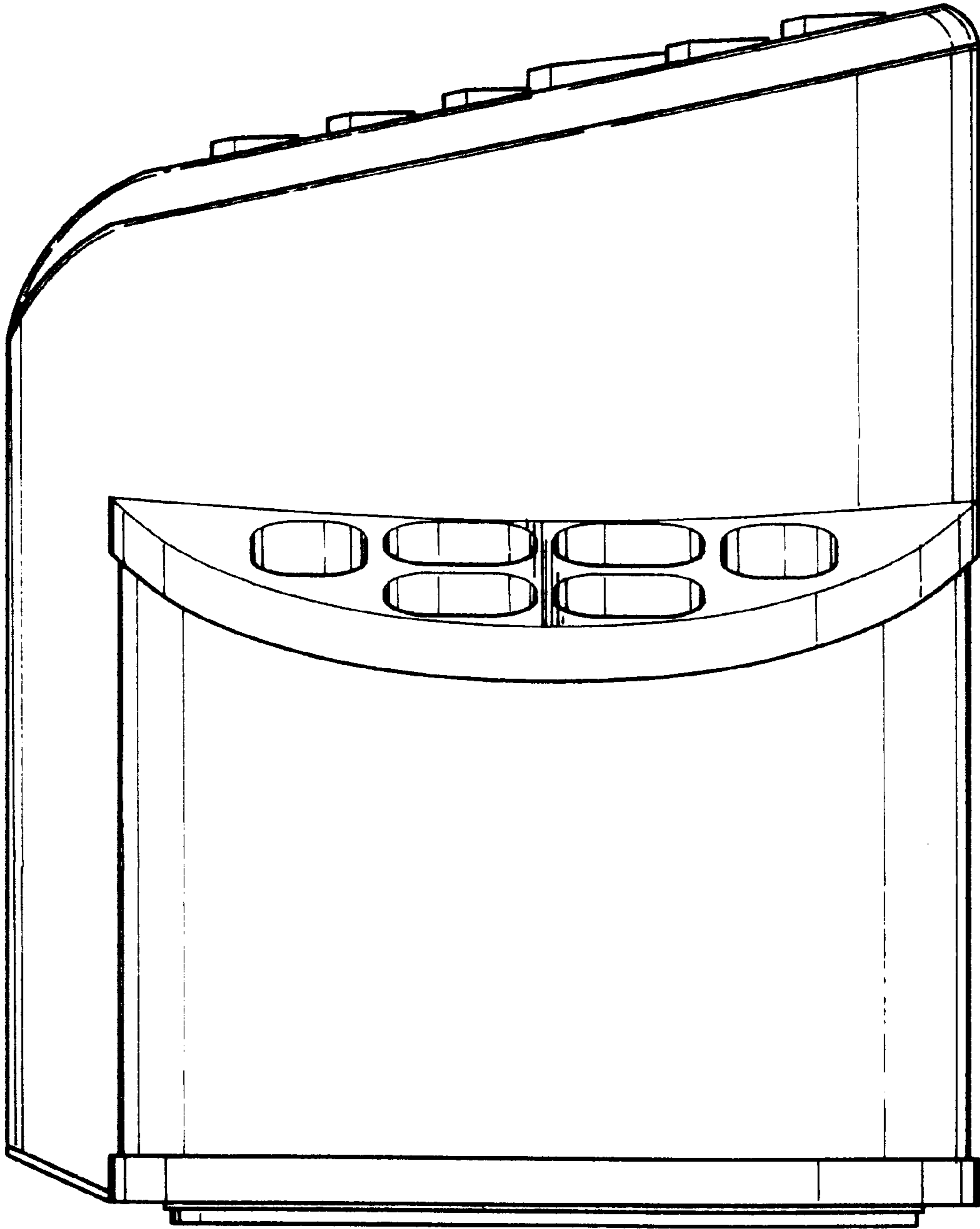


FIG. 4

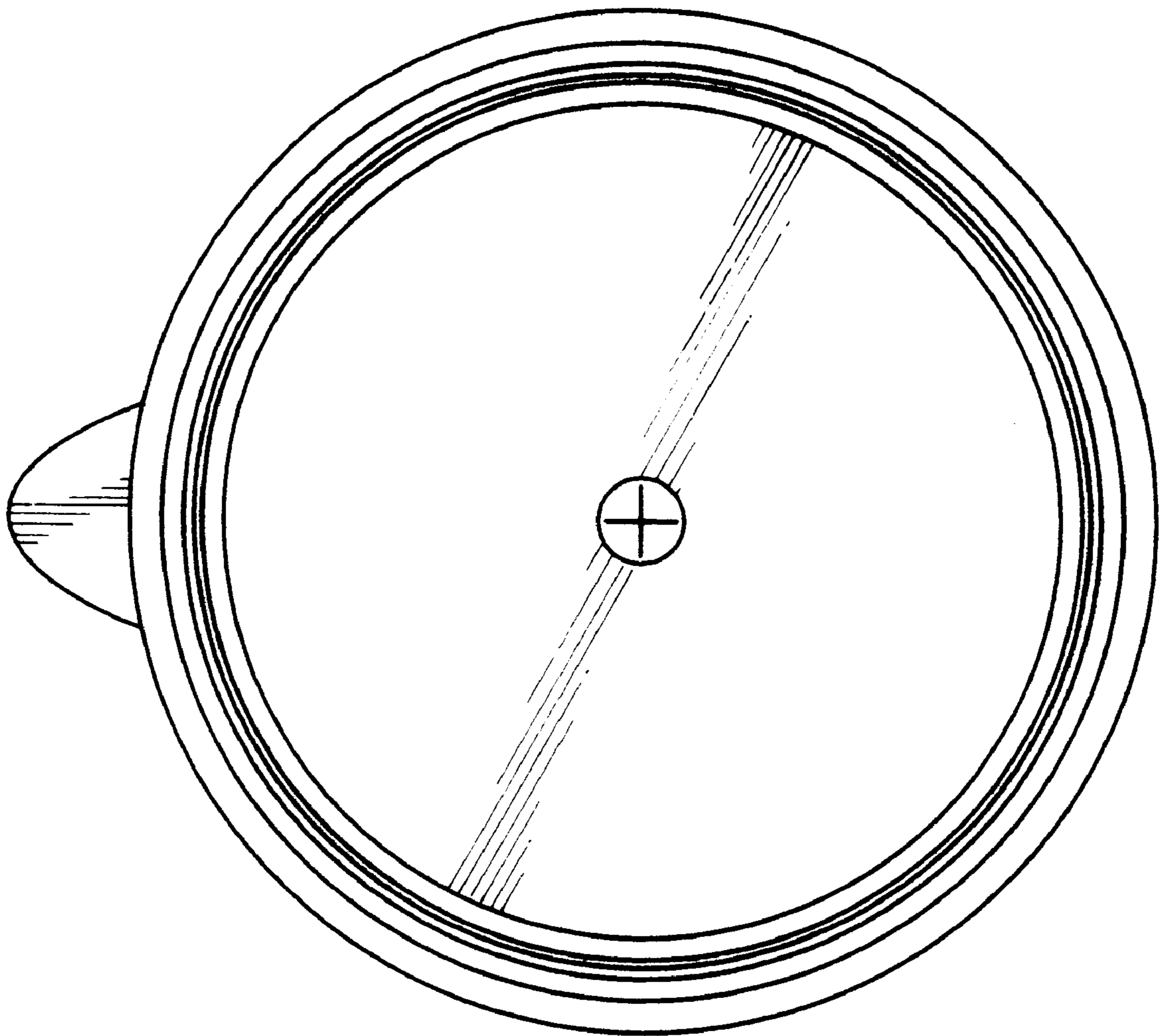


FIG. 5

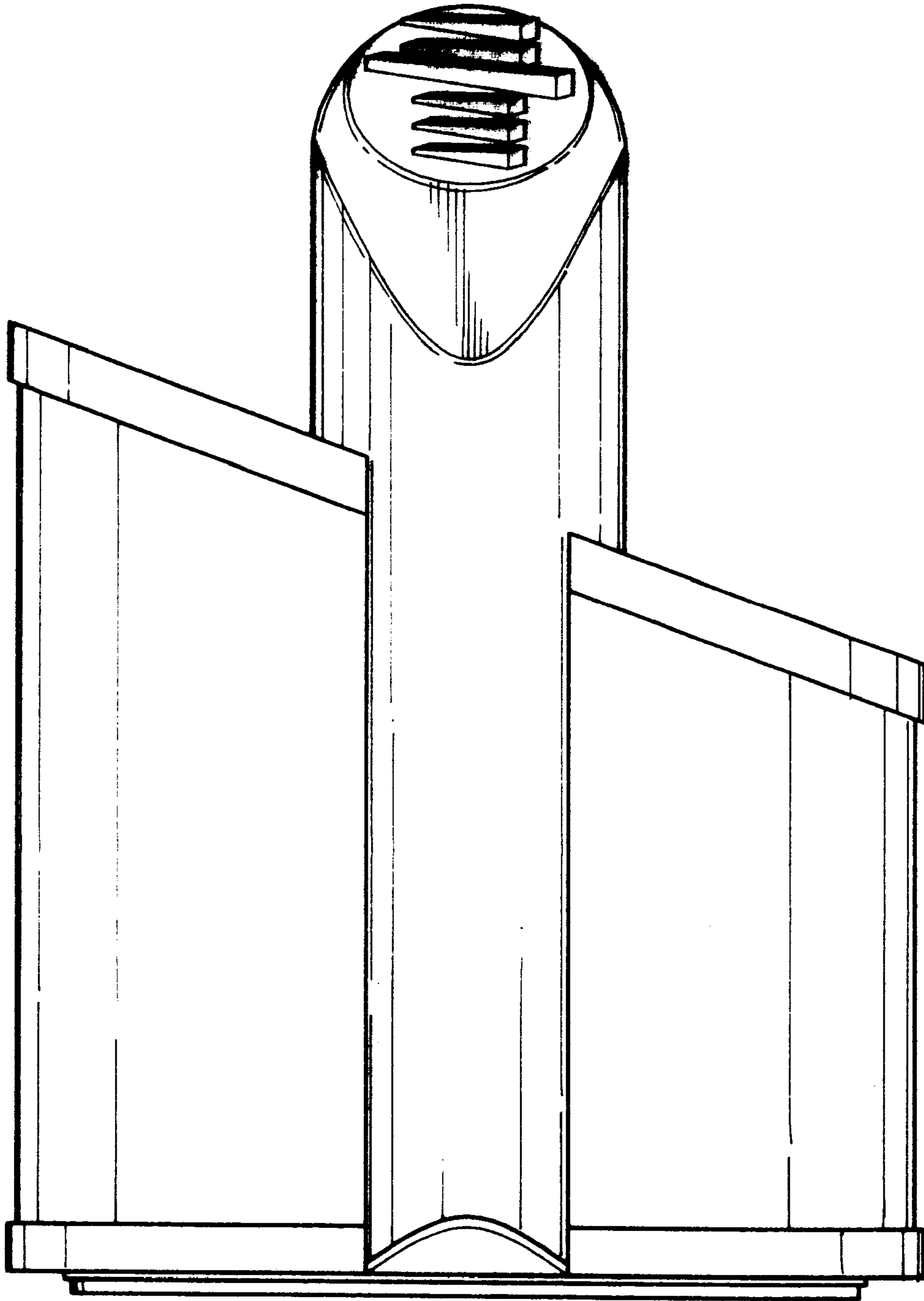


FIG. 6

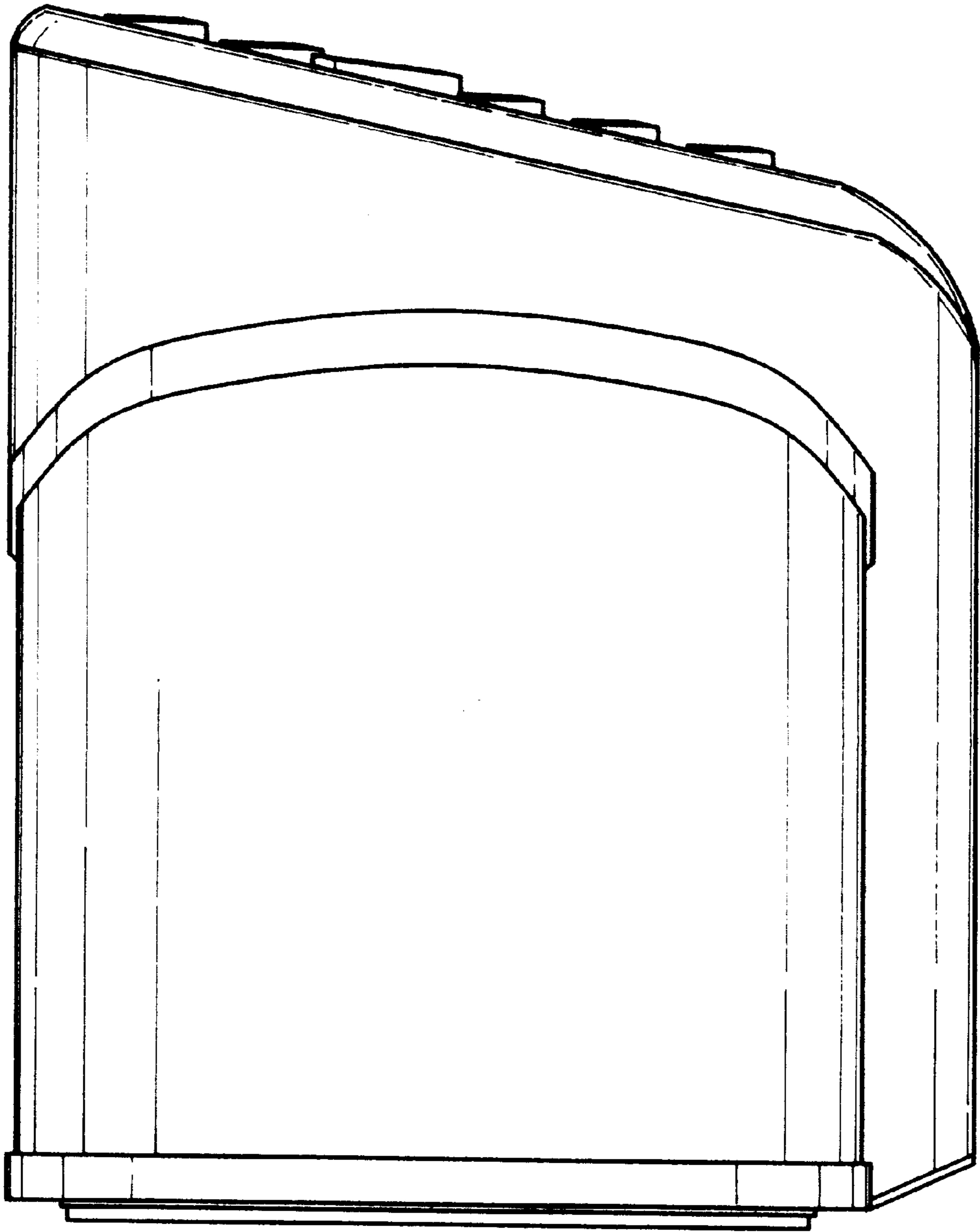


FIG. 7