



US00D441614S

(12) **United States Design Patent**
Carroll

(10) **Patent No.:** **US D441,614 S**

(45) **Date of Patent:** **** May 8, 2001**

(54) **DRINK HOLDER**

(76) **Inventor:** **Don Carroll**, 188 Grand St., New York, NY (US) 10013

(**) **Term:** **14 Years**

(21) **Appl. No.:** **29/124,135**

(22) **Filed:** **May 31, 2000**

(51) **LOC (7) Cl.** **07-06**

(52) **U.S. Cl.** **D7/624; D7/608**

(58) **Field of Search** **D7/605, 608, 619, D7/624; 215/392-396; 220/737, 739, 903; 62/457.1-457.5**

(56) **References Cited**

U.S. PATENT DOCUMENTS

D. 199,592	*	11/1964	Tolciss	D7/608 X
D. 236,086		7/1975	Manley	.	
D. 261,986		11/1981	Abramo	.	
D. 302,509		8/1989	Byrns	.	
D. 304,538	*	11/1989	Byrns	D7/608
D. 309,847		8/1990	Scheurer	.	
D. 323,602		2/1992	Katz	.	
D. 340,076		10/1993	Turner	.	
D. 343,574		1/1994	Flugger	.	
D. 347,972	*	6/1994	Gaudet	D7/619
D. 349,216		8/1994	Steinfels	.	
D. 350,878		9/1994	Hoekstra	.	
D. 352,211		11/1994	Rucks	.	

D. 369,529		5/1996	Blankenburg	.	
D. 370,836		6/1996	Van Blankenburg	.	
D. 405,318		2/1999	Steinfels	.	
4,462,444	*	7/1984	Larson	215/395

* cited by examiner

Primary Examiner—Terry A. Wallace

(74) *Attorney, Agent, or Firm*—Donald Baricevac

(57) **CLAIM**

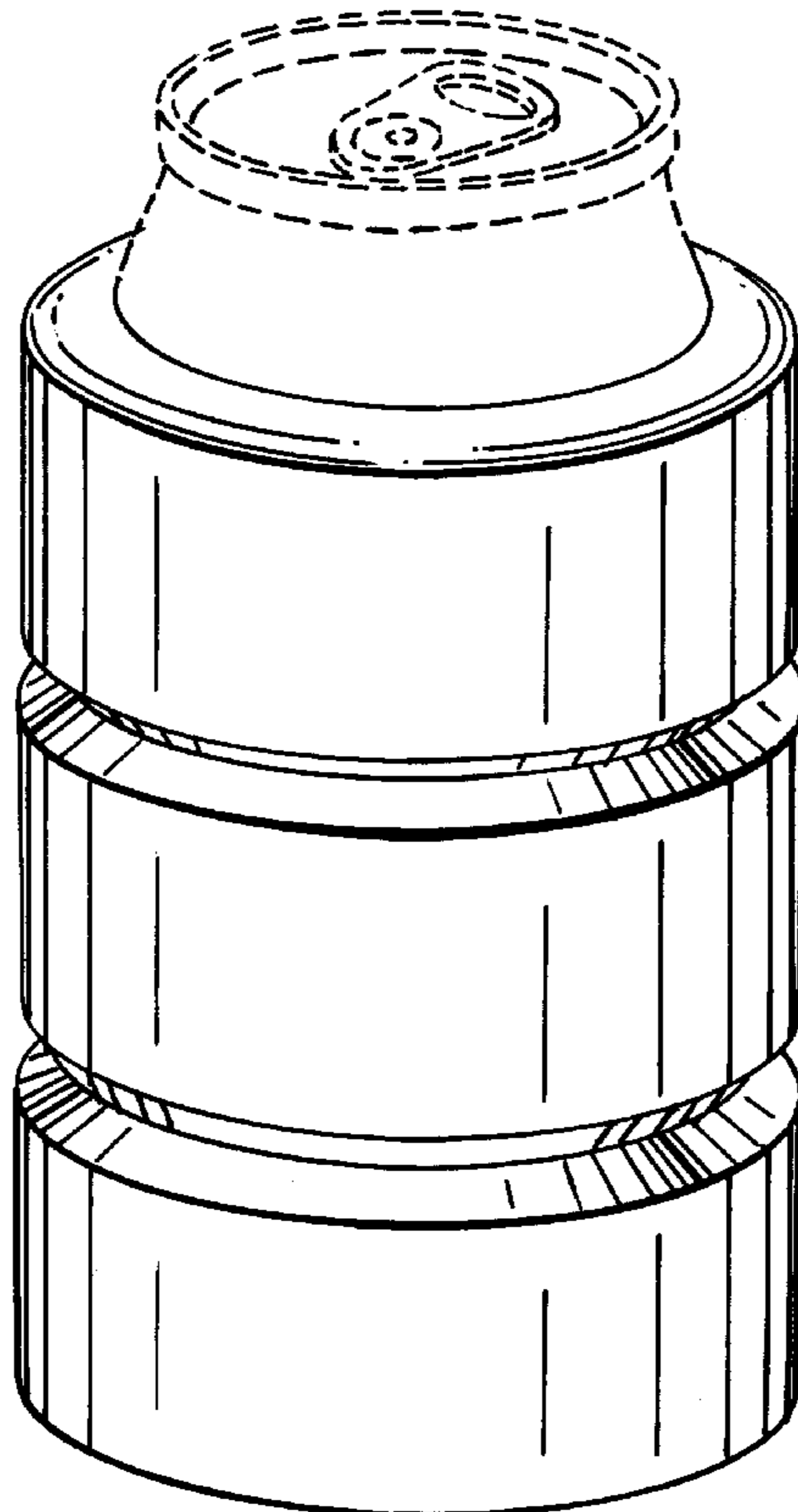
The ornamental design for a drink holder, as shown and described.

DESCRIPTION

FIG. 1 is a top and side perspective view of a first embodiment of the drink holder of the invention, shown with a beverage can disposed therein; FIG. 2 is a side view thereof; FIG. 3 is a top view thereof, the bottom view being substantially identical thereto; FIG. 4 is a top and side perspective view of an alternative embodiment of the drink holder of the invention, shown with a beverage bottle disposed therein; FIG. 5 is a side view thereof; and, FIG. 6 is a top view thereof, the bottom view being substantially identical thereto.

The broken lines showing a beverage can in FIG. 1 and a beverage bottle in FIG. 4 are for illustrative purposes only and form no part of the claimed design.

1 Claim, 2 Drawing Sheets



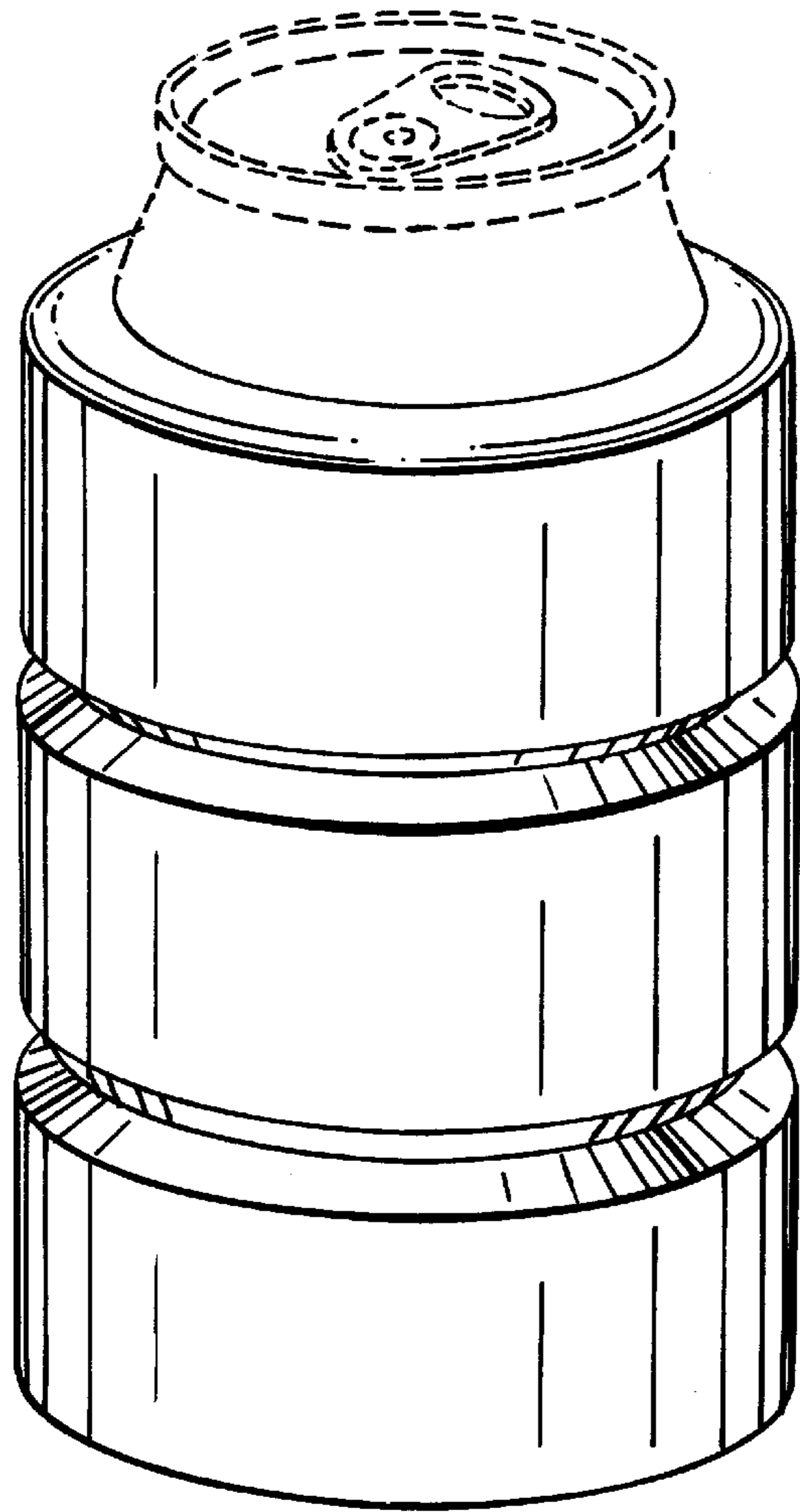


FIG. 1

FIG. 2

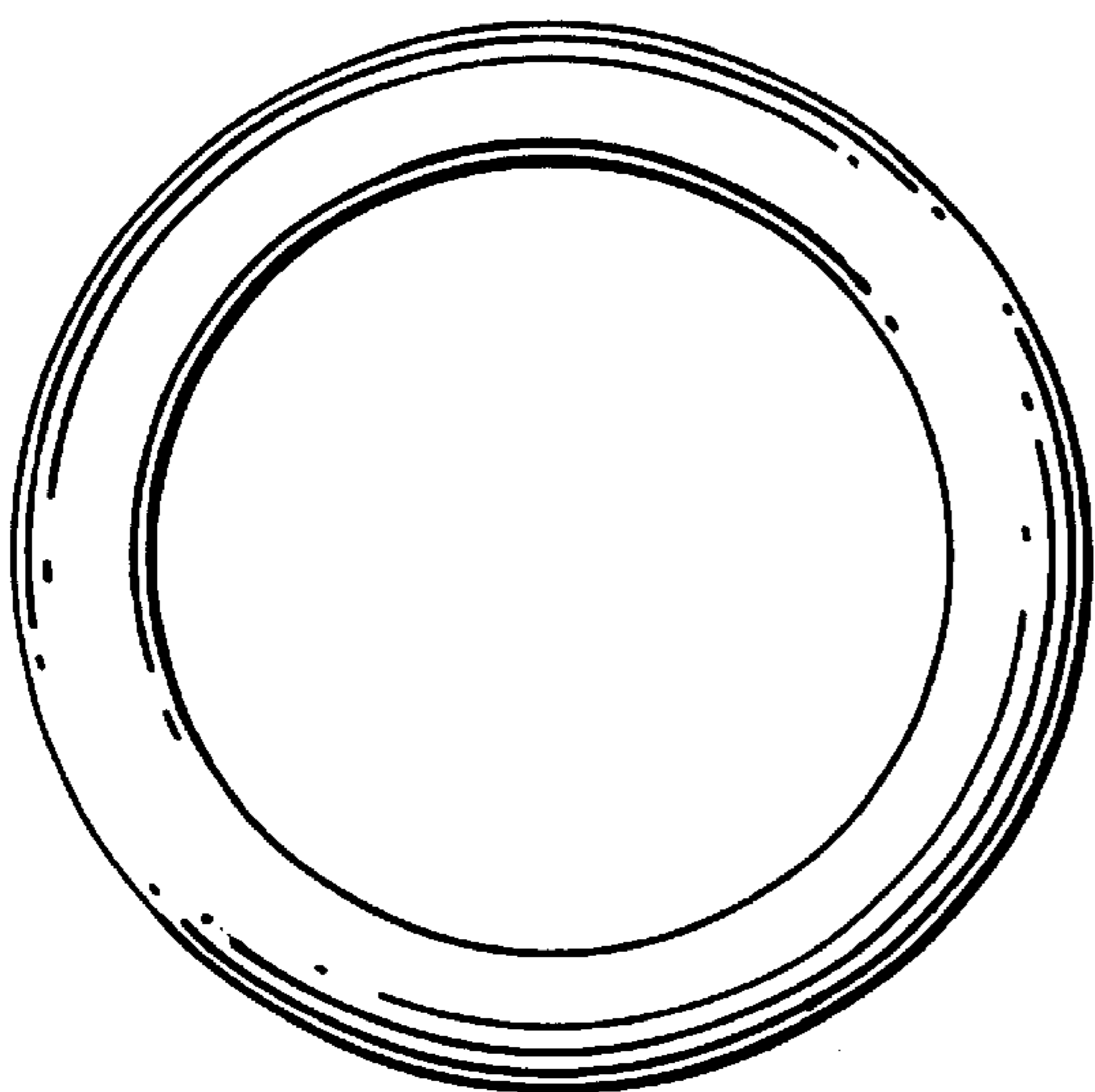
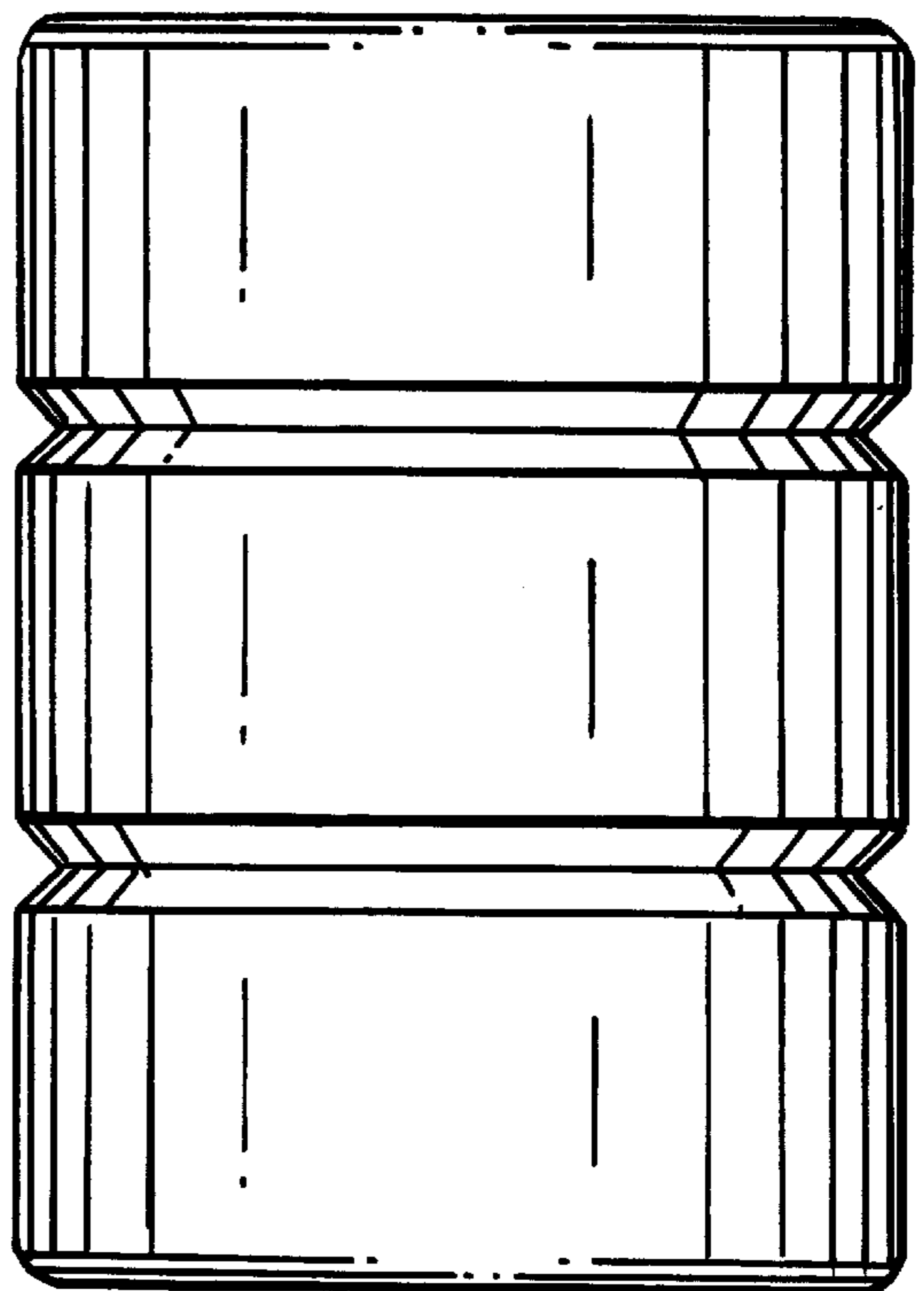


FIG. 3

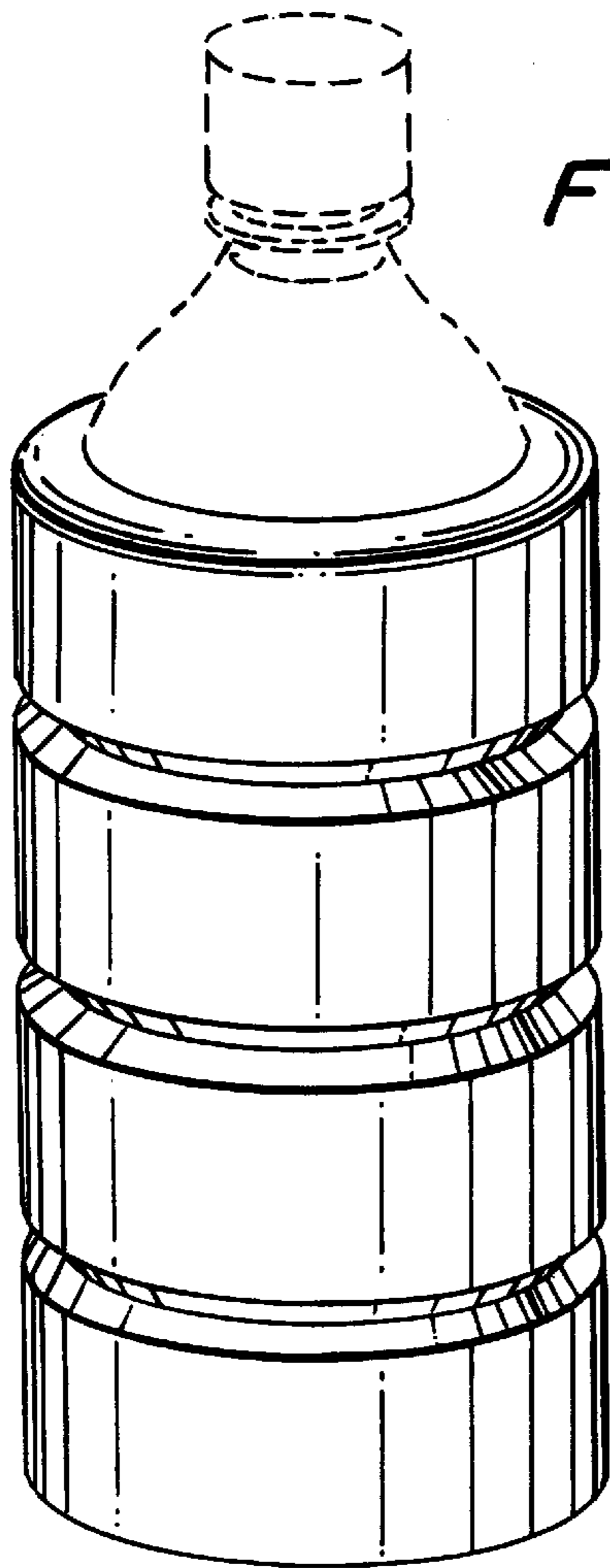


FIG. 4

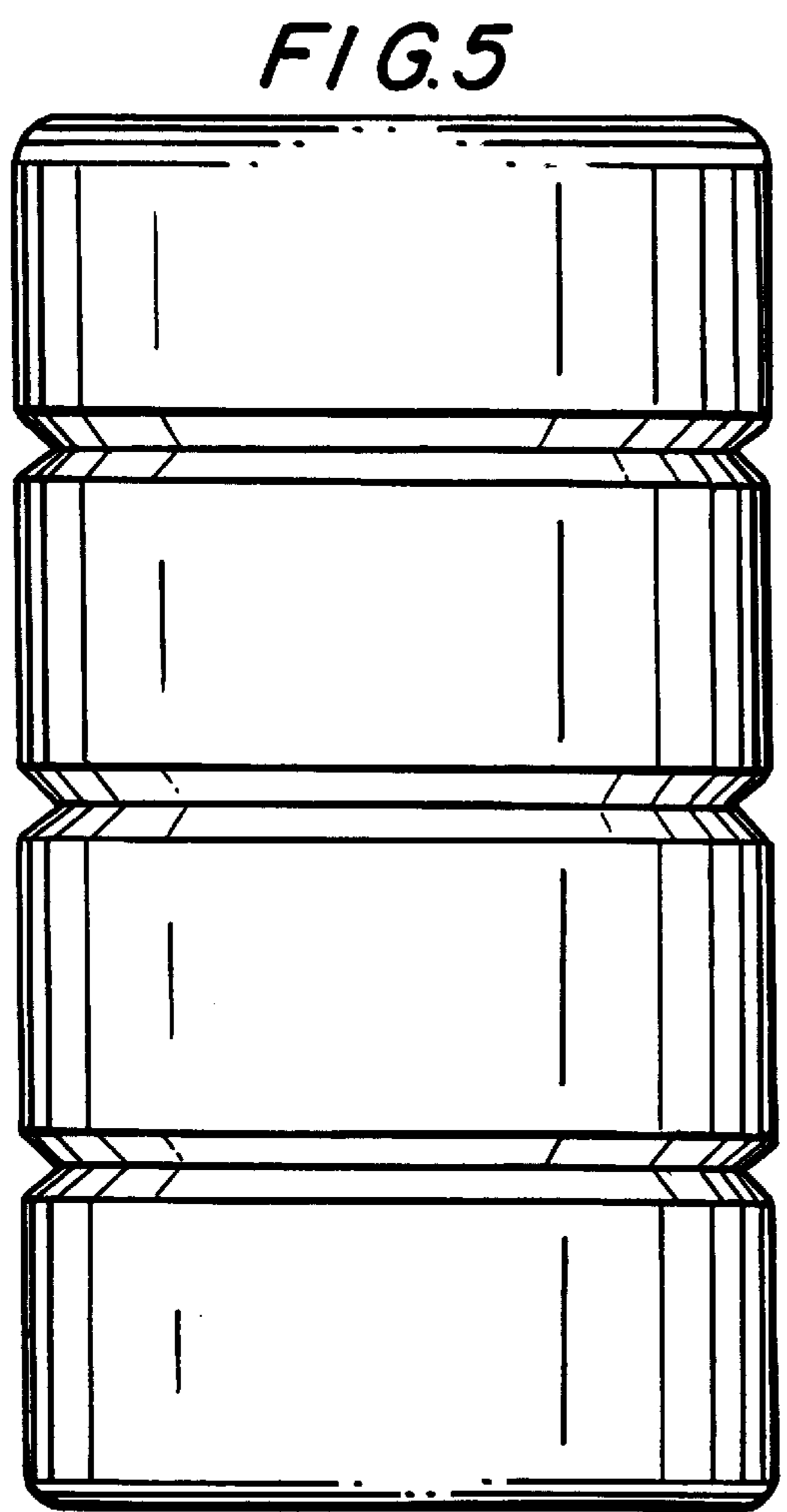


FIG. 5

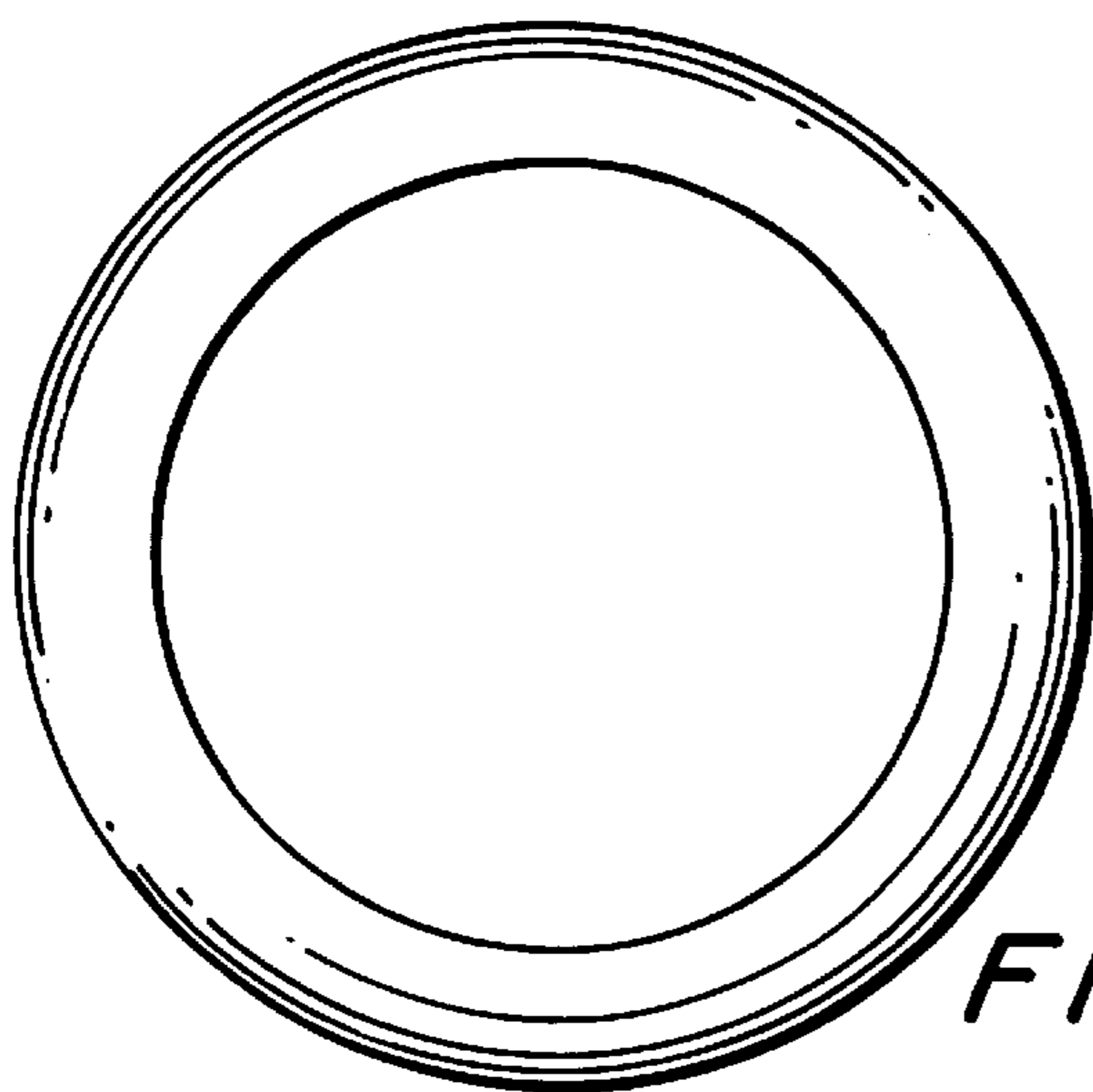


FIG. 6