



US00D441607S

(12) **United States Design Patent**  
**Steinfels**

(10) **Patent No.:** **US D441,607 S**

(45) **Date of Patent:** **\*\* May 8, 2001**

(54) **OPEN FACE RACING HELMET MUG**

(76) **Inventor:** **Craig R. Steinfels**, 7554 Canter Ridge  
La., Worthington, OH (US) 43085

(\*\*) **Term:** **14 Years**

(21) **Appl. No.:** **29/109,955**

(22) **Filed:** **Aug. 26, 1999**

(51) **LOC (7) Cl.** ..... **07-01**

(52) **U.S. Cl.** ..... **D7/515; D7/536**

(58) **Field of Search** ..... D7/536, 535, 533,  
D7/514, 516, 515, 519, 517, 605, 606,  
619, 622, 623, 624, 625; D29/106; 220/712,  
717, 713, 662; 206/779

(56) **References Cited**

**U.S. PATENT DOCUMENTS**

D. 243,578	*	3/1977	Danat	.....	D7/515
D. 250,444	*	12/1978	Danat et al.	.....	D7/515
D. 314,492	*	2/1991	Weller et al.	.....	D7/623
D. 337,242	*	7/1993	Steinfels, III	.....	D7/623
D. 344,659	*	3/1994	Hsu	.....	D7/514 X
D. 349,216	*	8/1994	Steinfels, III	.....	D7/623
D. 349,630	*	8/1994	Redmon	.....	D7/606
D. 352,211	*	11/1994	Rucks	.....	D7/607 X

D. 363,855	*	11/1995	Van Blankenburg	.....	D7/515
D. 370,836	*	6/1996	Van Blankenburg	.....	D7/515 X
D. 372,402	*	8/1996	Van Blankenburg	.....	D7/623
D. 399,393	*	10/1998	Steinfels	.....	D7/515
D. 405,318	*	2/1999	Steinfels	.....	D7/625 X
5,485,913	*	1/1996	Steinfels, III	.....	206/779
5,511,685	*	4/1996	Nelson	.....	220/662

\* cited by examiner

*Primary Examiner*—M. N. Pandozzi

(74) *Attorney, Agent, or Firm*—James R. Eley, Esq.;  
Kegler, Brown, Hill & Ritter, LPA

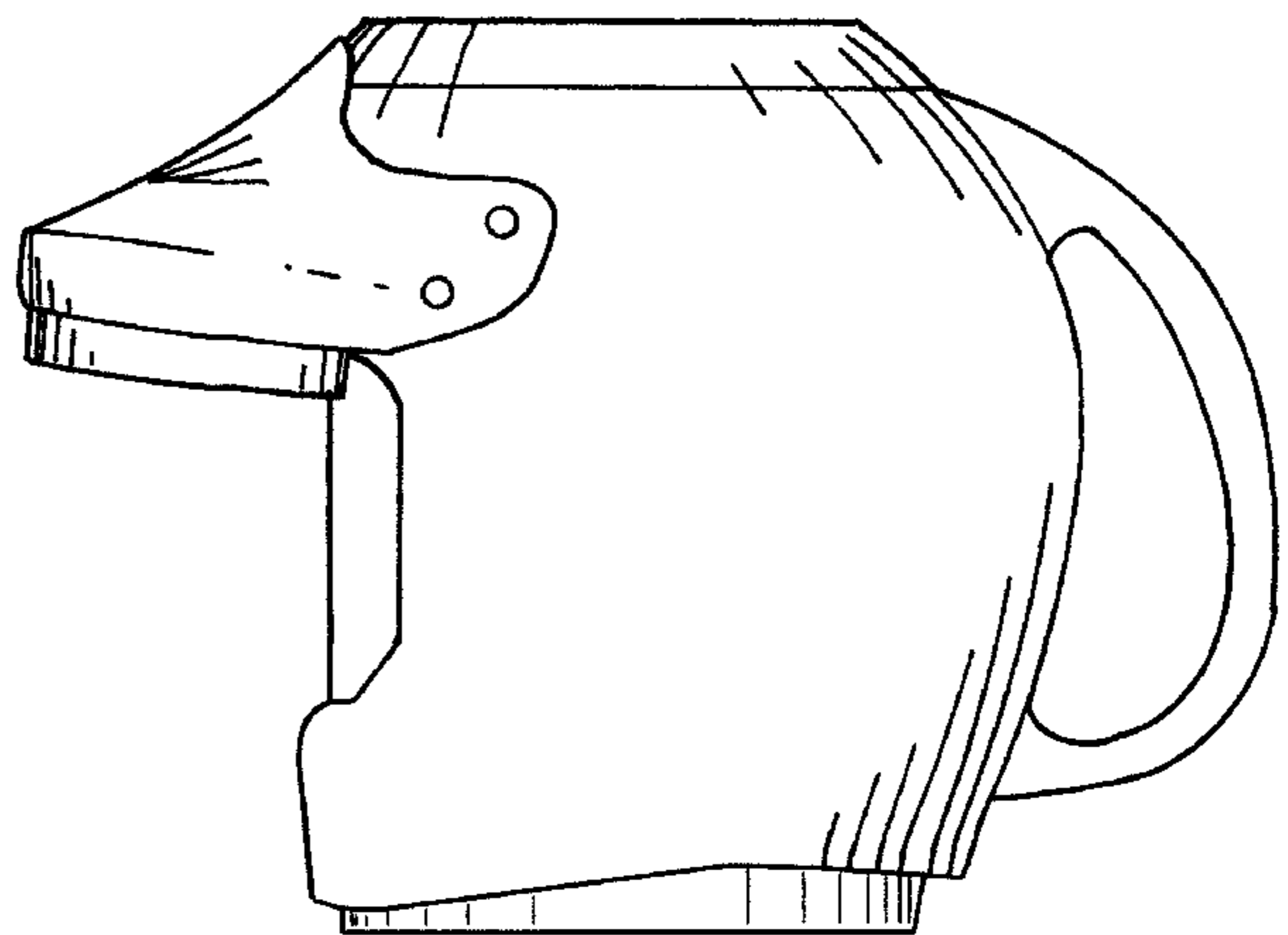
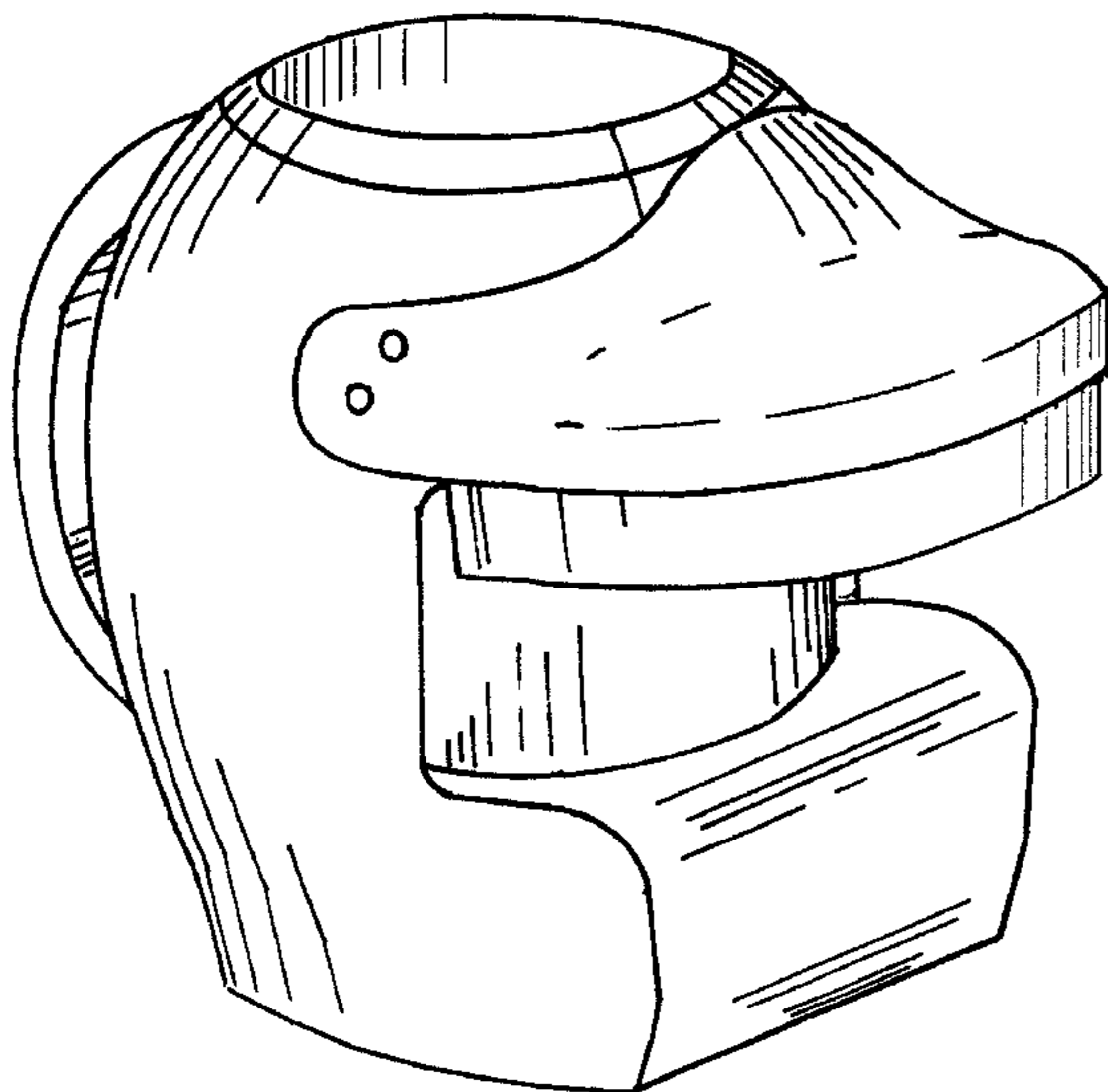
(57) **CLAIM**

The ornamental design for an open face racing helmet mug,  
as shown and described.

**DESCRIPTION**

FIG. 1 is a top, front, and left-side perspective view of an  
open face racing helmet mug;  
FIG. 2 is a top plan view thereof;  
FIG. 3 is a bottom plan view thereof;  
FIG. 4 is a right-side elevational view thereof;  
FIG. 5 is a left-side elevational view thereof;  
FIG. 6 is a front elevational view thereof; and,  
FIG. 7 is a rear elevational view thereof.

**1 Claim, 4 Drawing Sheets**



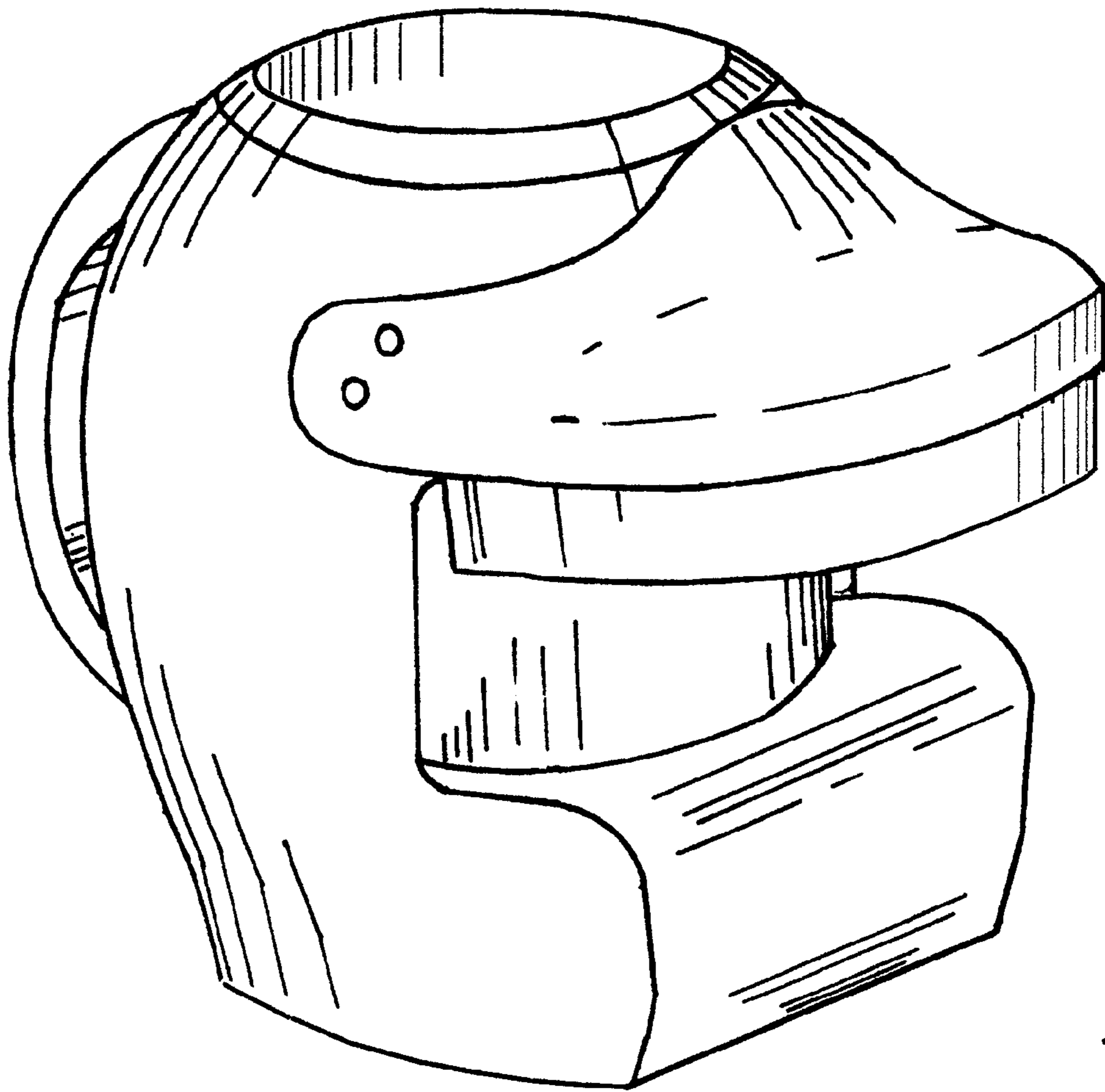


fig. 1

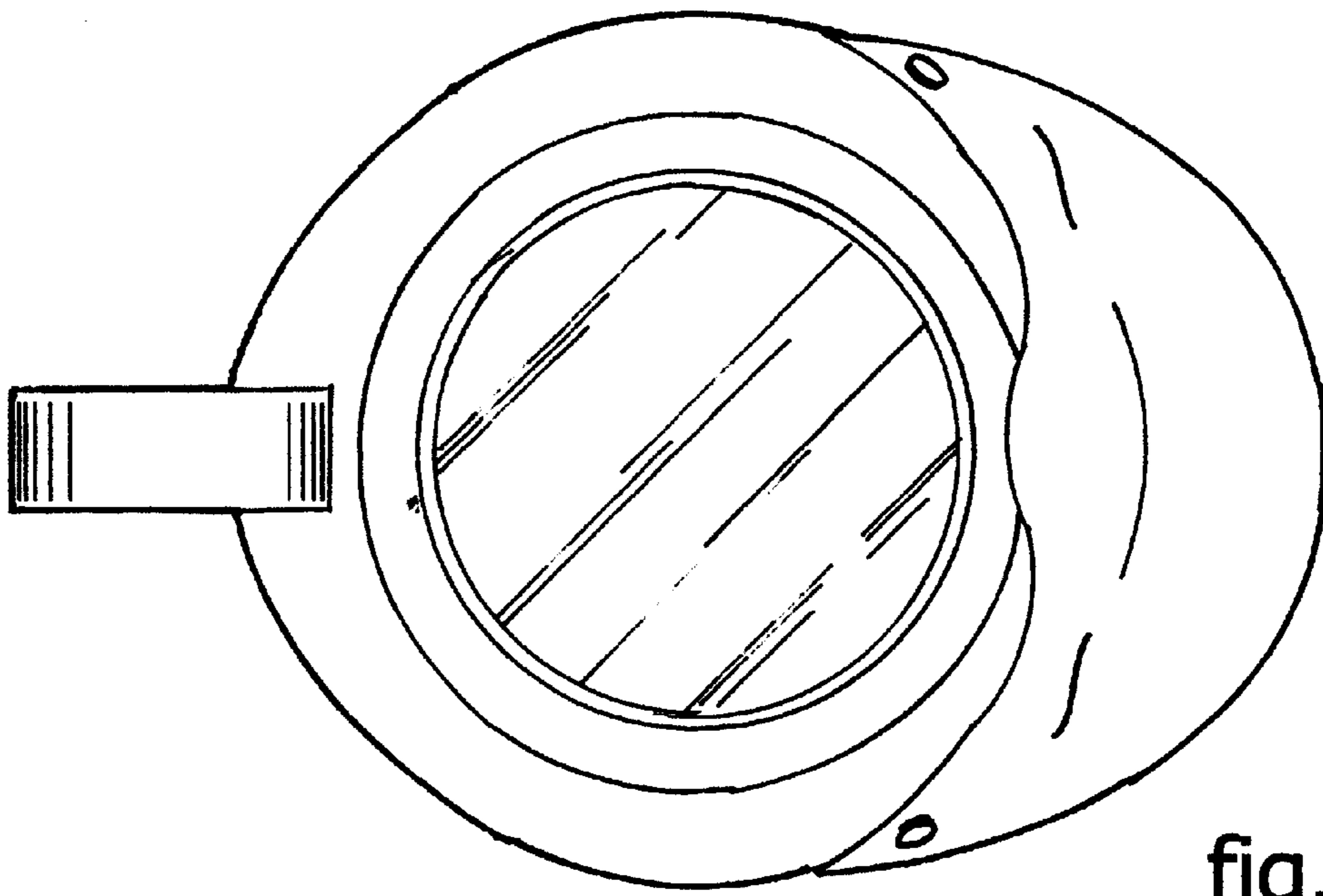


fig. 2

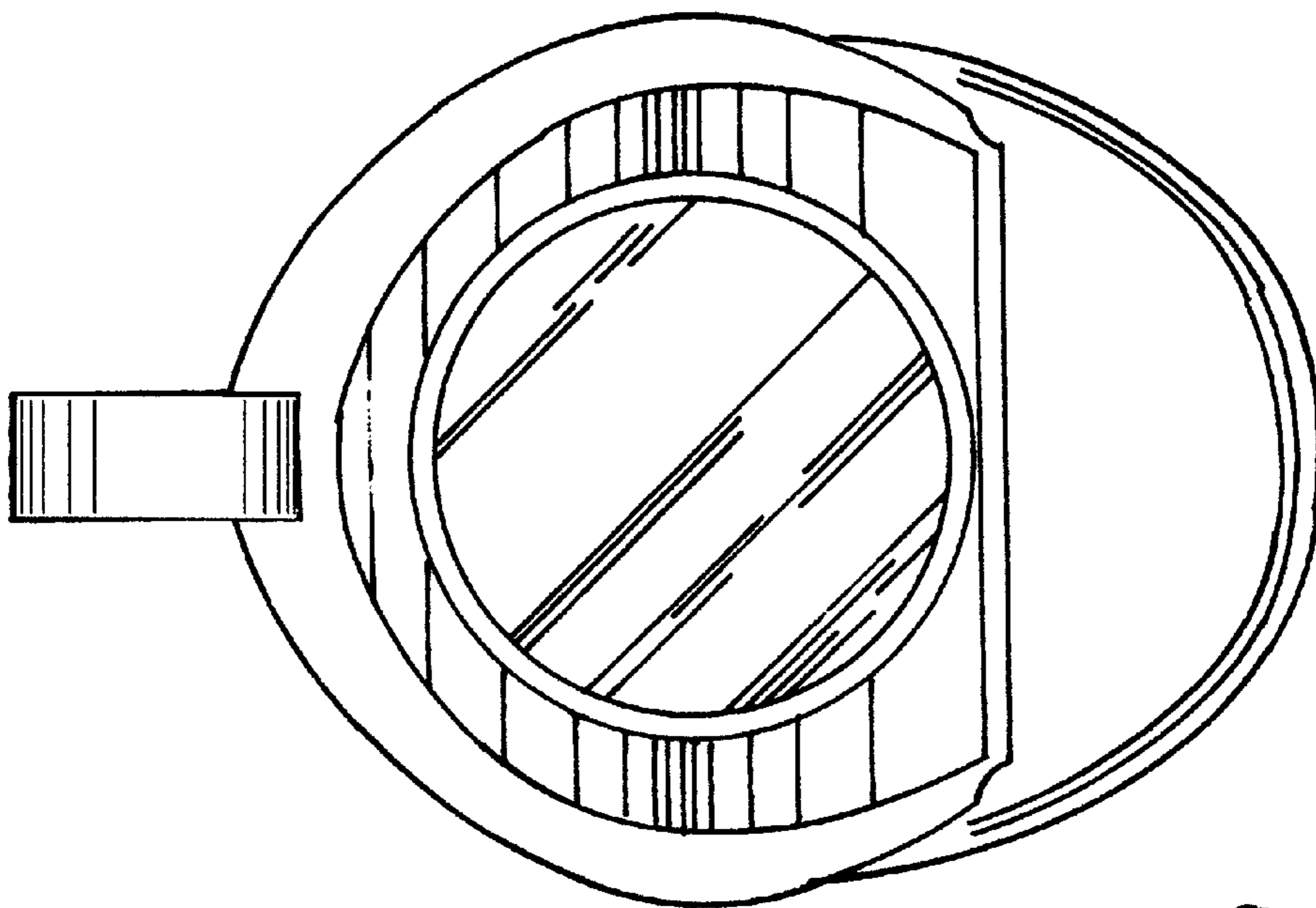


fig. 3

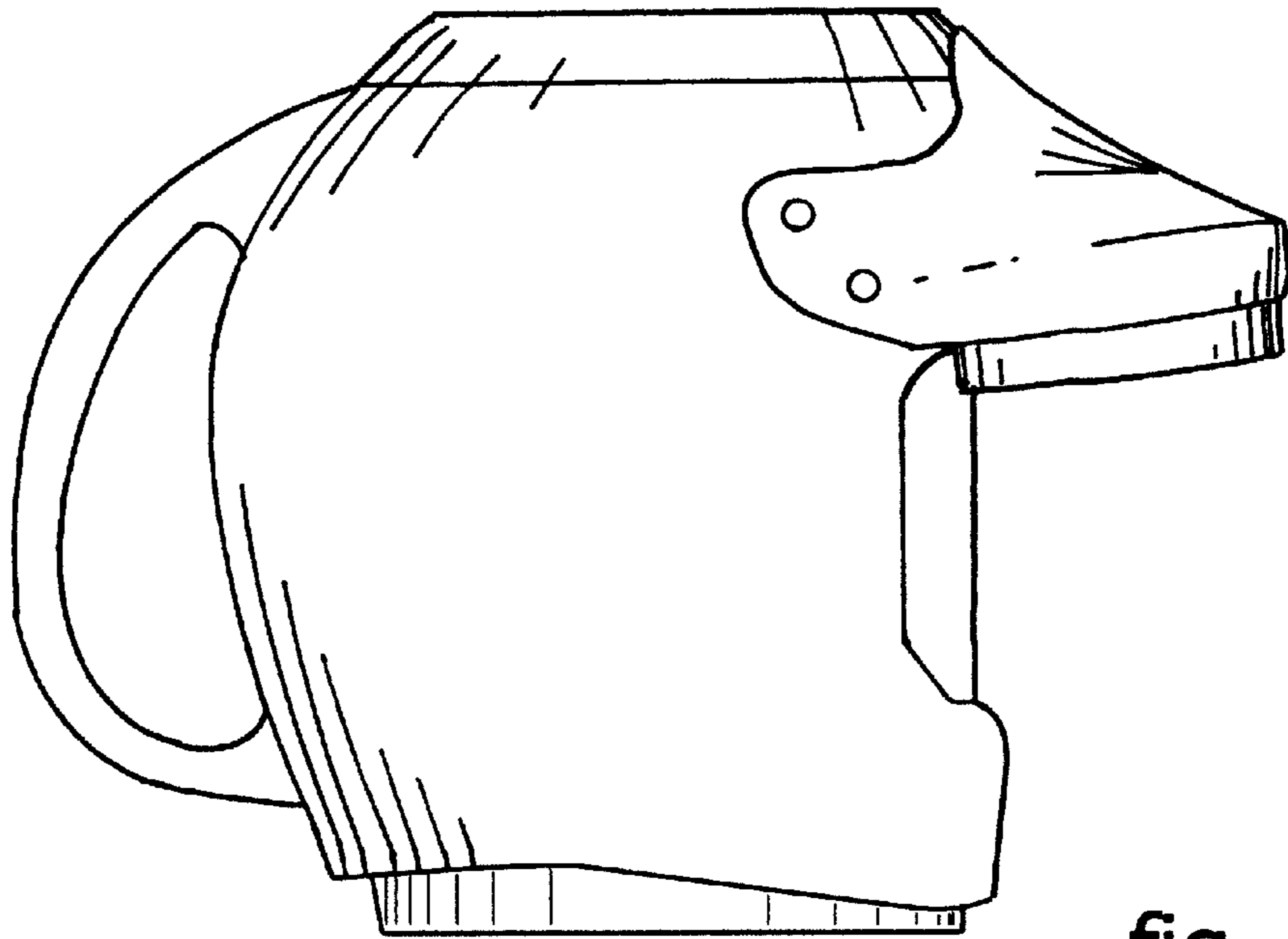


fig. 4

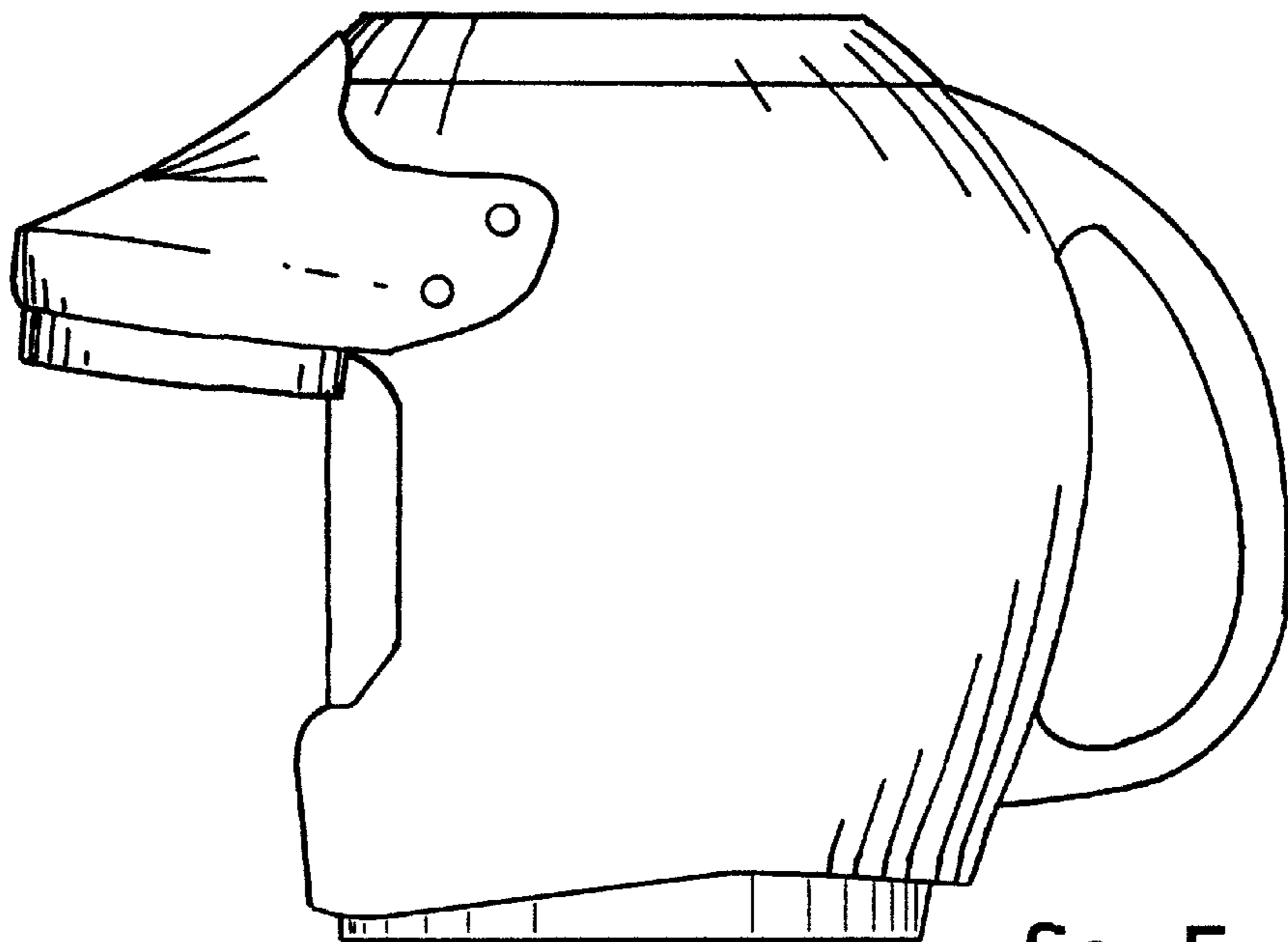


fig. 5

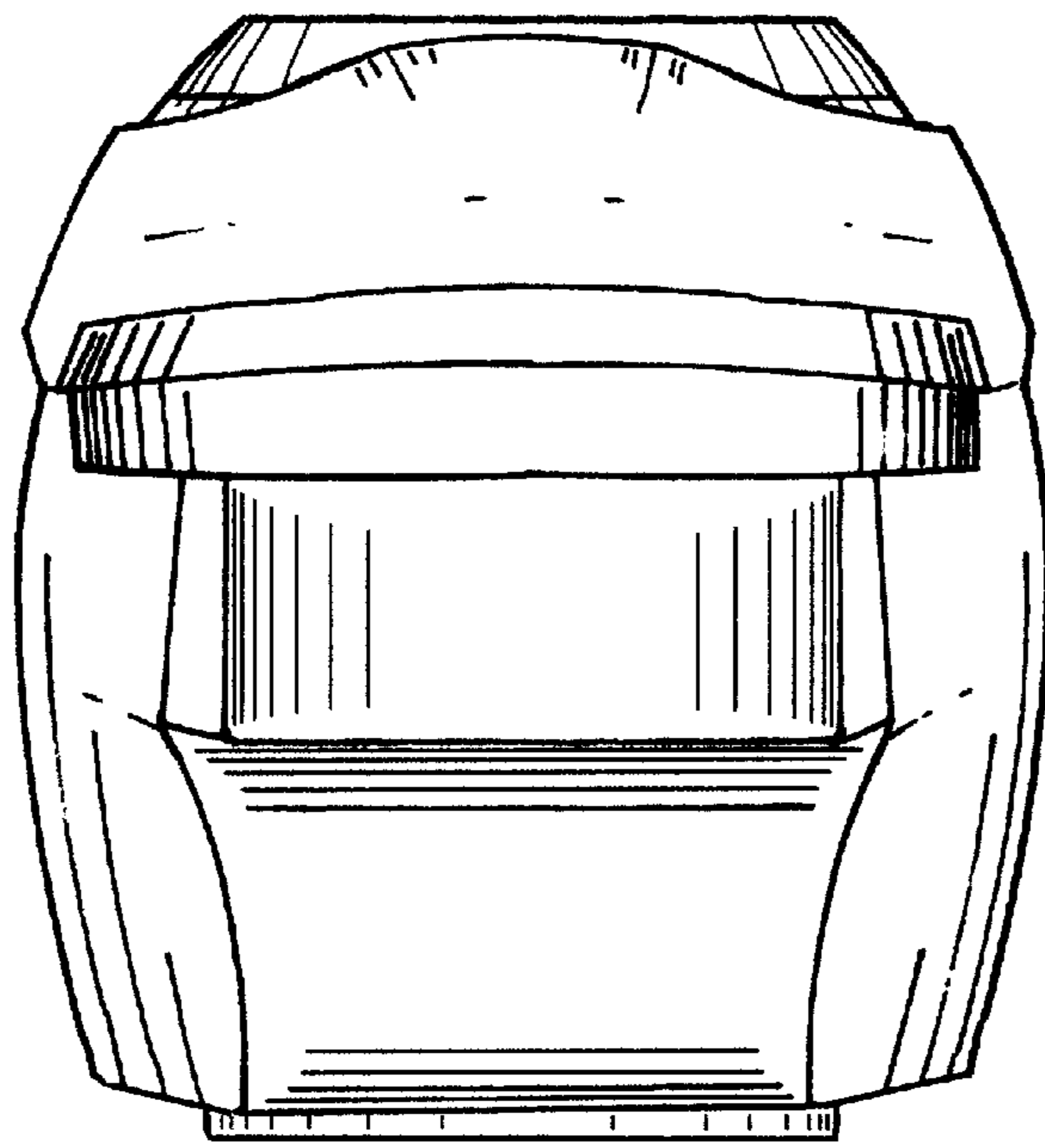


fig. 6

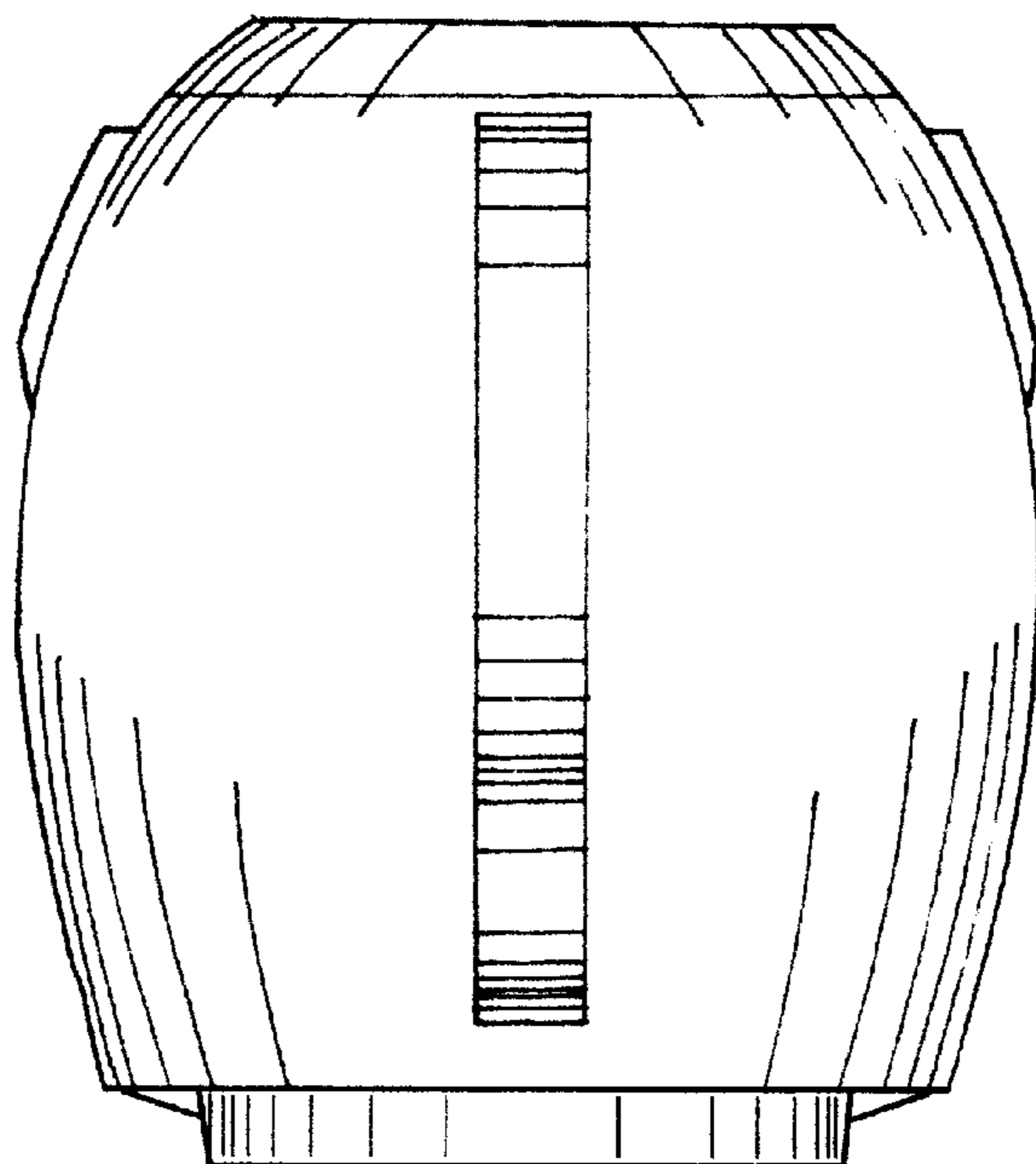


fig. 7