



US00D441600S

(12) **United States Design Patent**
Miller

(10) **Patent No.:** **US D441,600 S**

(45) **Date of Patent:** **** May 8, 2001**

(54) **COVER FOR CHILDREN'S SERVING BOWL**

(75) Inventor: **D. Scott Miller**, Orlando, FL (US)

(73) Assignee: **Dart Industries Inc.**, Orlando, FL (US)

(**) Term: **14 Years**

(21) Appl. No.: **29/126,251**

(22) Filed: **Jul. 10, 2000**

(51) **LOC (7) Cl.** **07-01**

(52) **U.S. Cl.** **D7/392.1**

(58) **Field of Search** D7/323, 354, 391,
D7/392.1, 540, 538, 543, 601, 602, 629,
630; 220/306, 355, 356, 377; D9/435, 454

D. 350,460	9/1994	Picozza et al.	D7/629
D. 359,882	7/1995	Birge	D7/510
D. 373,704 *	9/1996	Doxey	D7/391
D. 379,738	6/1997	Liming et al.	D7/511
D. 383,646	9/1997	Jeppesen et al.	D7/584
D. 383,939	9/1997	Jeppesen et al.	D7/391
D. 393,520	4/1998	Christy	D34/39
D. 412,639 *	8/1999	Demore	D7/391
D. 413,489	9/1999	Miller	D7/602
D. 417,591	12/1999	Roehrig	D7/510
D. 421,878	3/2000	Roehrig	D7/510
4,047,648	9/1977	Croyle .	
4,516,685	5/1985	French .	
4,883,195	11/1989	Ott et al.	220/339
5,065,889	11/1991	Conti	220/366
5,363,978	11/1994	Molo	220/254

* cited by examiner

Primary Examiner—Caron D. Veynar

(74) *Attorney, Agent, or Firm*—Taylor J. Ross

(56) **References Cited**

U.S. PATENT DOCUMENTS

D. 182,779	5/1958	Tupper .	
D. 220,516	4/1971	Klober .	
D. 243,912	4/1977	Daenen .	
D. 244,246	5/1977	Daenen .	
D. 257,930	1/1981	Conti .	
D. 257,931	1/1981	Conti .	
D. 270,887	10/1983	Johnson et al. .	
D. 272,213	1/1984	Daenen .	
D. 272,223	1/1984	Daenen .	
D. 286,360	10/1986	Trivison .	
D. 323,097	1/1992	Picozza	D7/542
D. 333,754	3/1993	Conti	D7/392.1
D. 339,958	10/1993	Olsen et al.	D7/392.1
D. 344,209 *	2/1994	Cousins et al.	D7/392.1
D. 344,210	2/1994	Cousins et al.	D7/538
D. 349,005	7/1994	Cousins et al.	D7/543

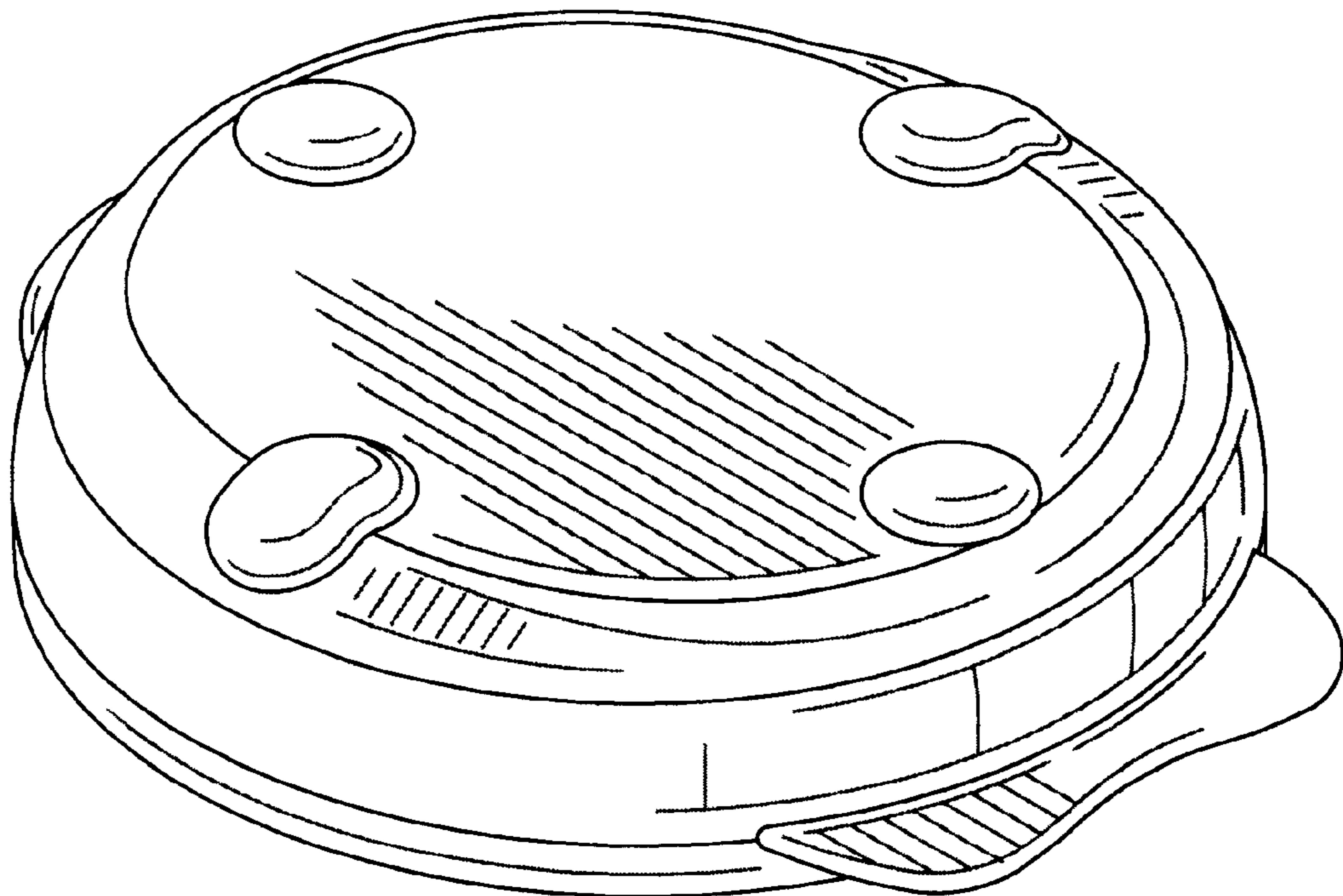
(57) **CLAIM**

The ornamental design for a cover for children's serving bowl, as shown and described.

DESCRIPTION

FIG. 1 is a top, side and front perspective view of a cover for children's serving bowl showing the new design; FIG. 2 is a right side elevation view thereof; FIG. 3 is a left side elevation view thereof; FIG. 4 is a rear elevation view thereof; FIG. 5 is a front elevation view thereof; FIG. 6 is a top plan view thereof; and, FIG. 7 is a bottom plan view thereof.

1 Claim, 2 Drawing Sheets



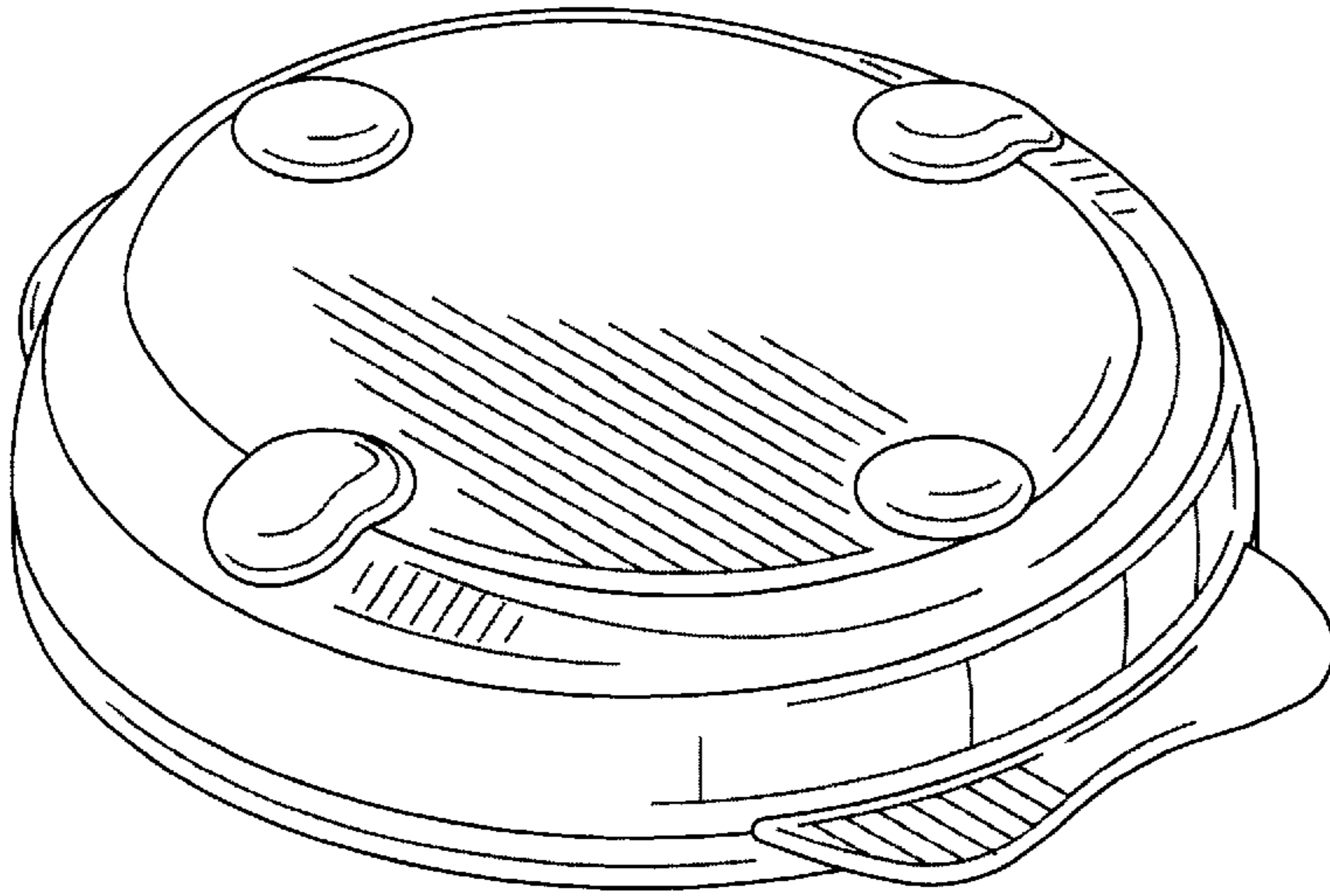


FIG. 1

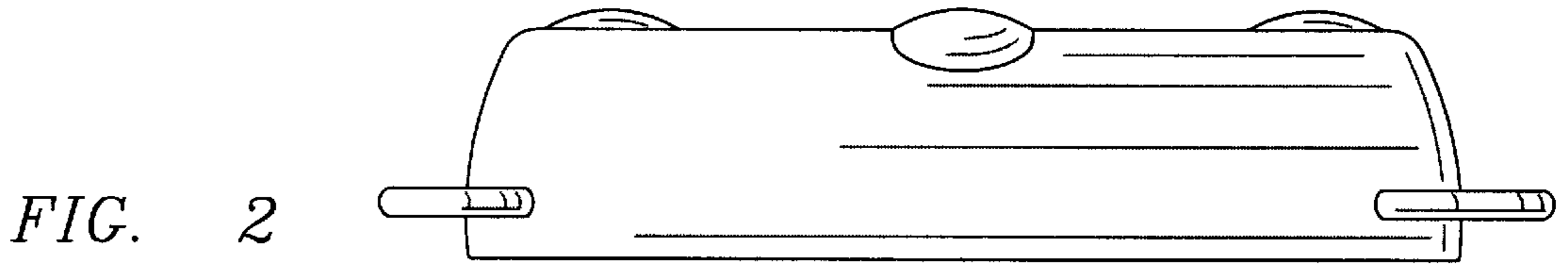


FIG. 2

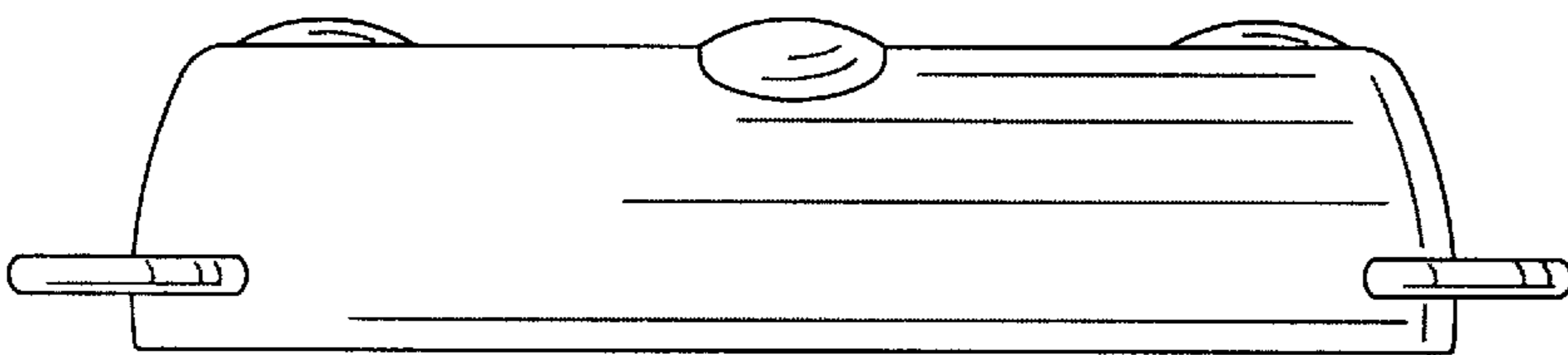


FIG. 3

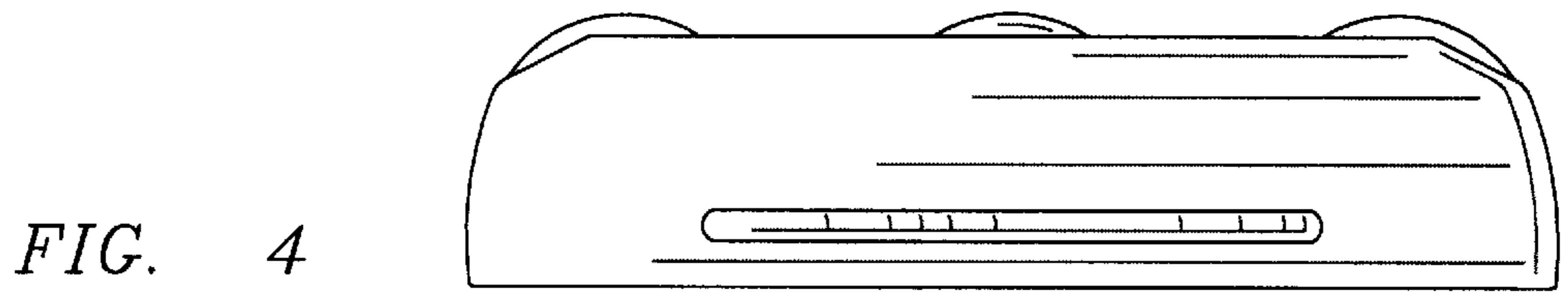


FIG. 4

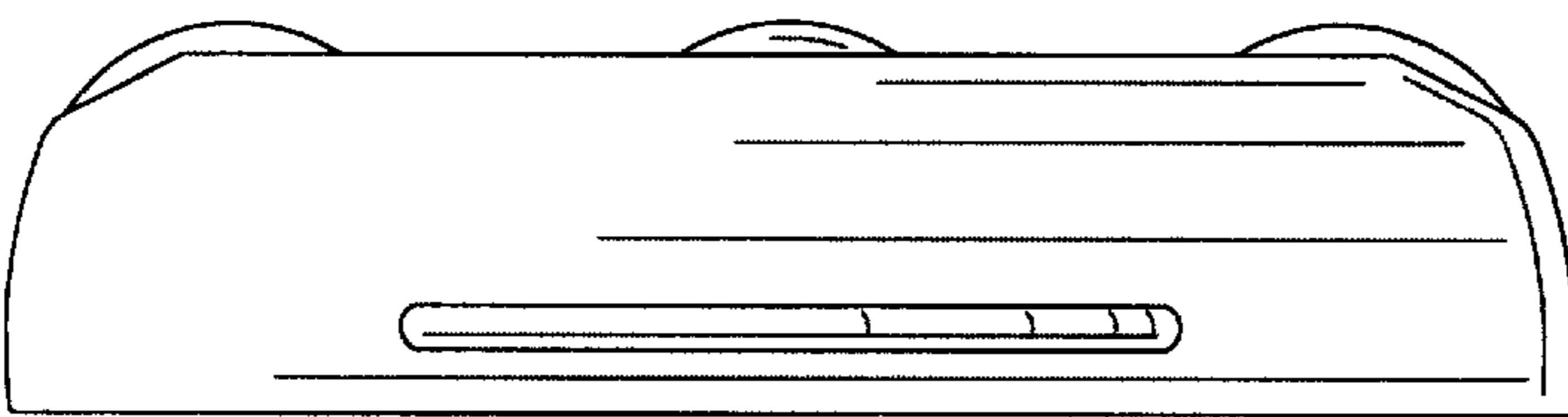


FIG. 5

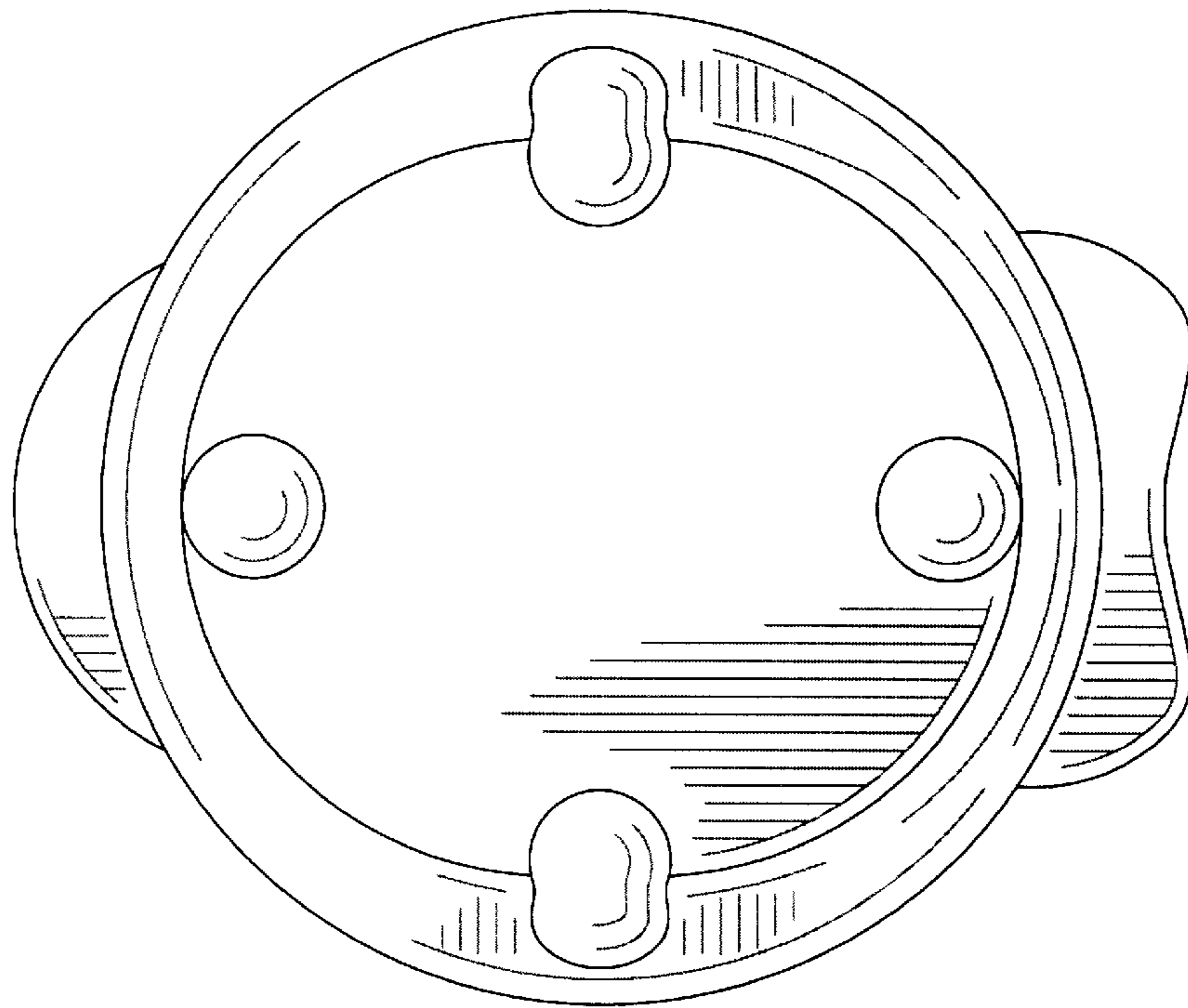


FIG. 6

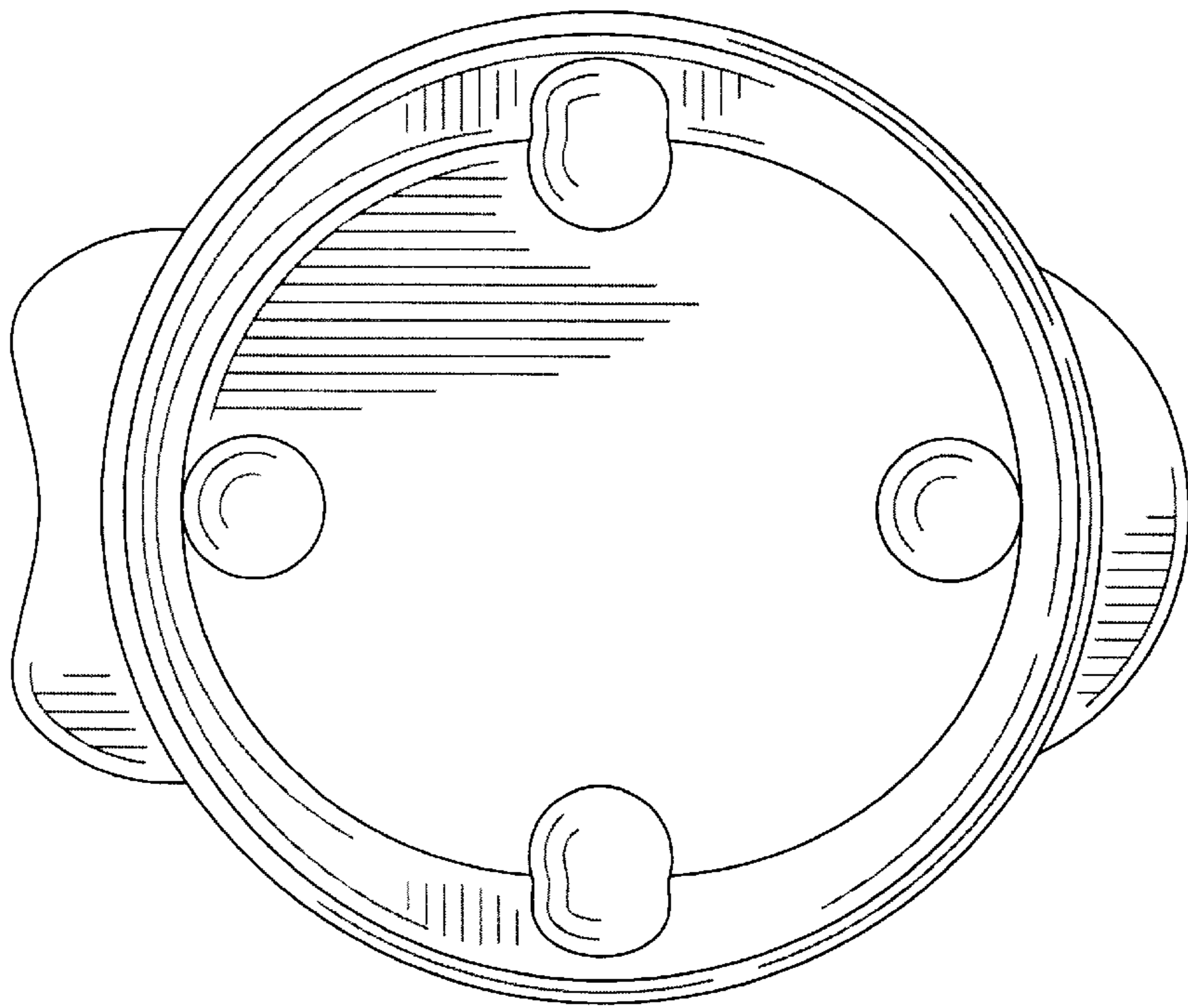


FIG. 7