



US00D441596S

(12) **United States Design Patent**
Fernandez

(10) **Patent No.:** **US D441,596 S**

(45) **Date of Patent:** **** May 8, 2001**

(54) **MICROWAVABLE EGG OR THE LIKE
COOKER CONTAINER**

(75) Inventor: **Juan Fernandez**, Ridgefield Park, NJ
(US)

(73) Assignee: **Products of Tomorrow**

(**) Term: **14 Years**

(21) Appl. No.: **29/125,737**

(22) Filed: **Jun. 29, 2000**

(51) **LOC (7) Cl.** **07-02**

(52) **U.S. Cl.** **D7/354; D7/503**

(58) **Field of Search** **D7/500, 503, 354,
D7/357, 361; 99/324, 336, 419, 440**

(56) **References Cited**

U.S. PATENT DOCUMENTS

D. 285,403	*	9/1986	Wilson	D7/354
D. 302,376	*	7/1989	Eisele	D7/361
3,757,674	*	9/1973	Carroll	99/440
3,791,285	*	2/1974	Mack	99/419

FOREIGN PATENT DOCUMENTS

1 027 869 U 9/1994 (ES) A47J/43/04

* cited by examiner

Primary Examiner—Caron D. Veynar
(74) *Attorney, Agent, or Firm*—George T. Marcou;
Kilpatrick Stockton LLP

(57) **CLAIM**

The ornamental design for a microwavable egg or the like
cooker container, as shown and described.

DESCRIPTION

FIG. 1 is a front side view of a microwavable egg or the like
cooker container according to an embodiment of the present
invention. The rear side, left side and right side views are
identical;

FIG. 2 is a top view of the container shown in FIG. 1;

FIG. 3 is a bottom view of the container shown in FIG. 1;
and,

FIG. 4 is an exploded front side view of the container shown
in FIG. 1, with a top section detached from a bottom section.
The rear side, left side and right side detached views are
identical.

1 Claim, 2 Drawing Sheets

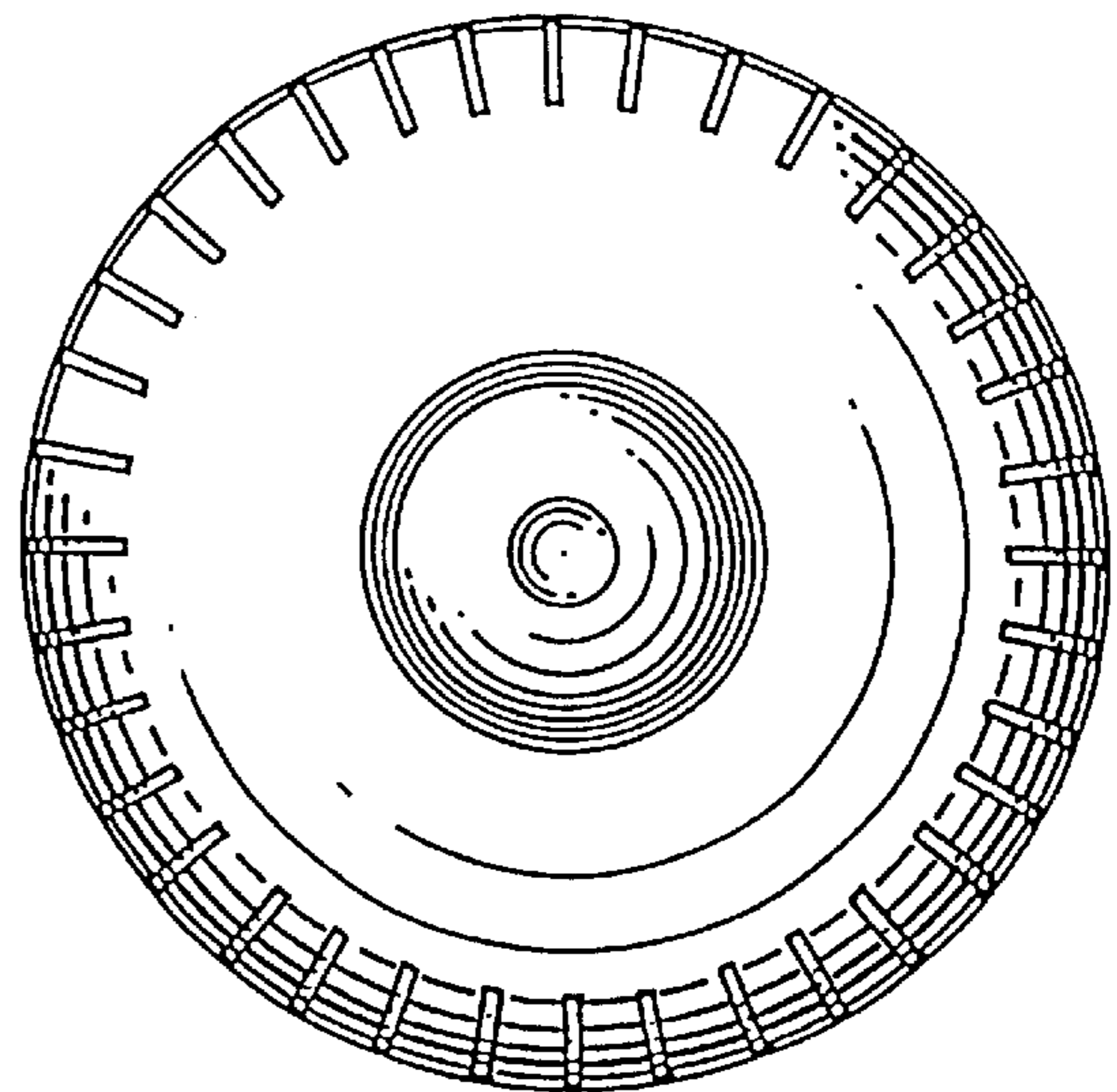
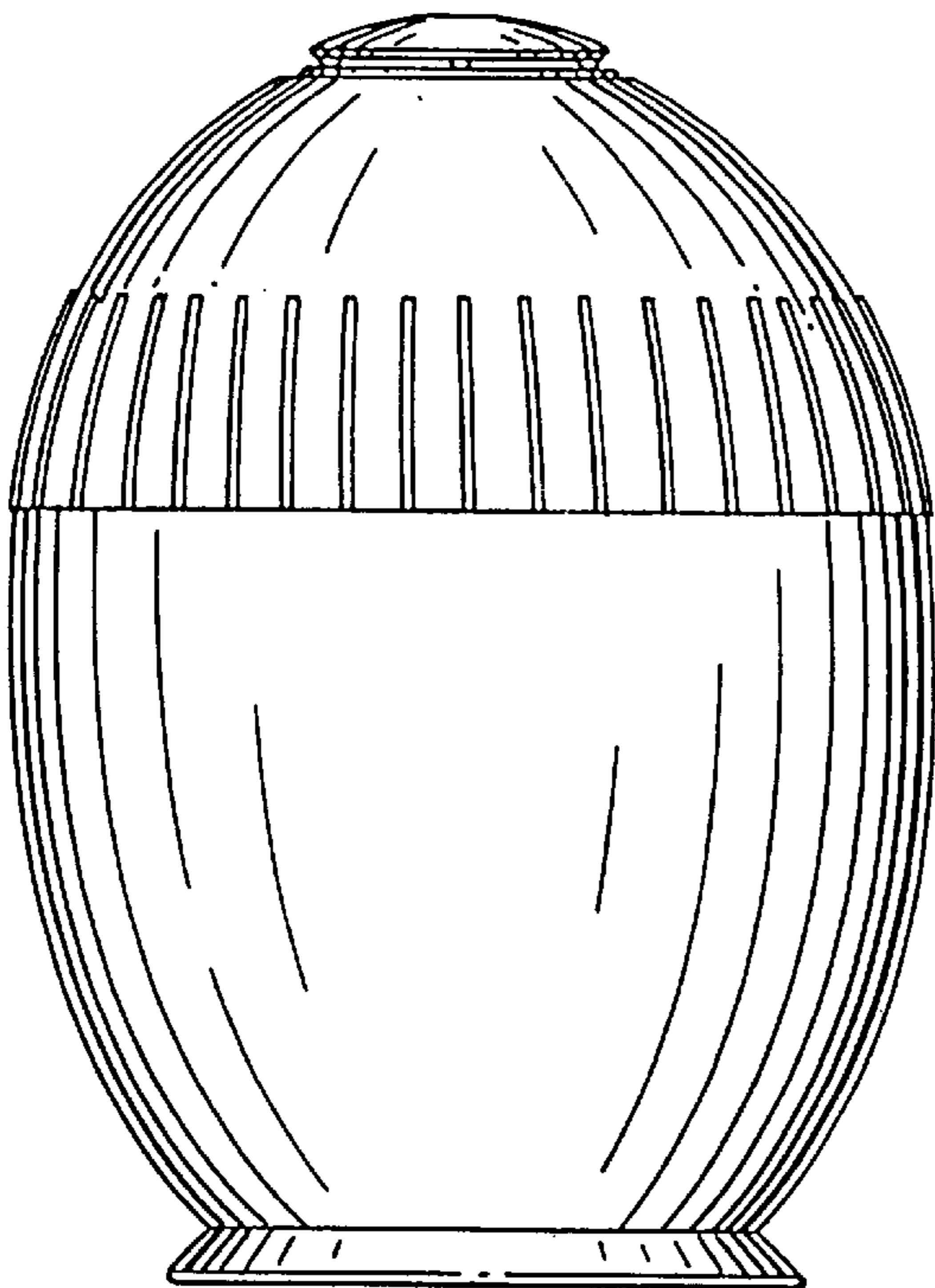


FIG. 1

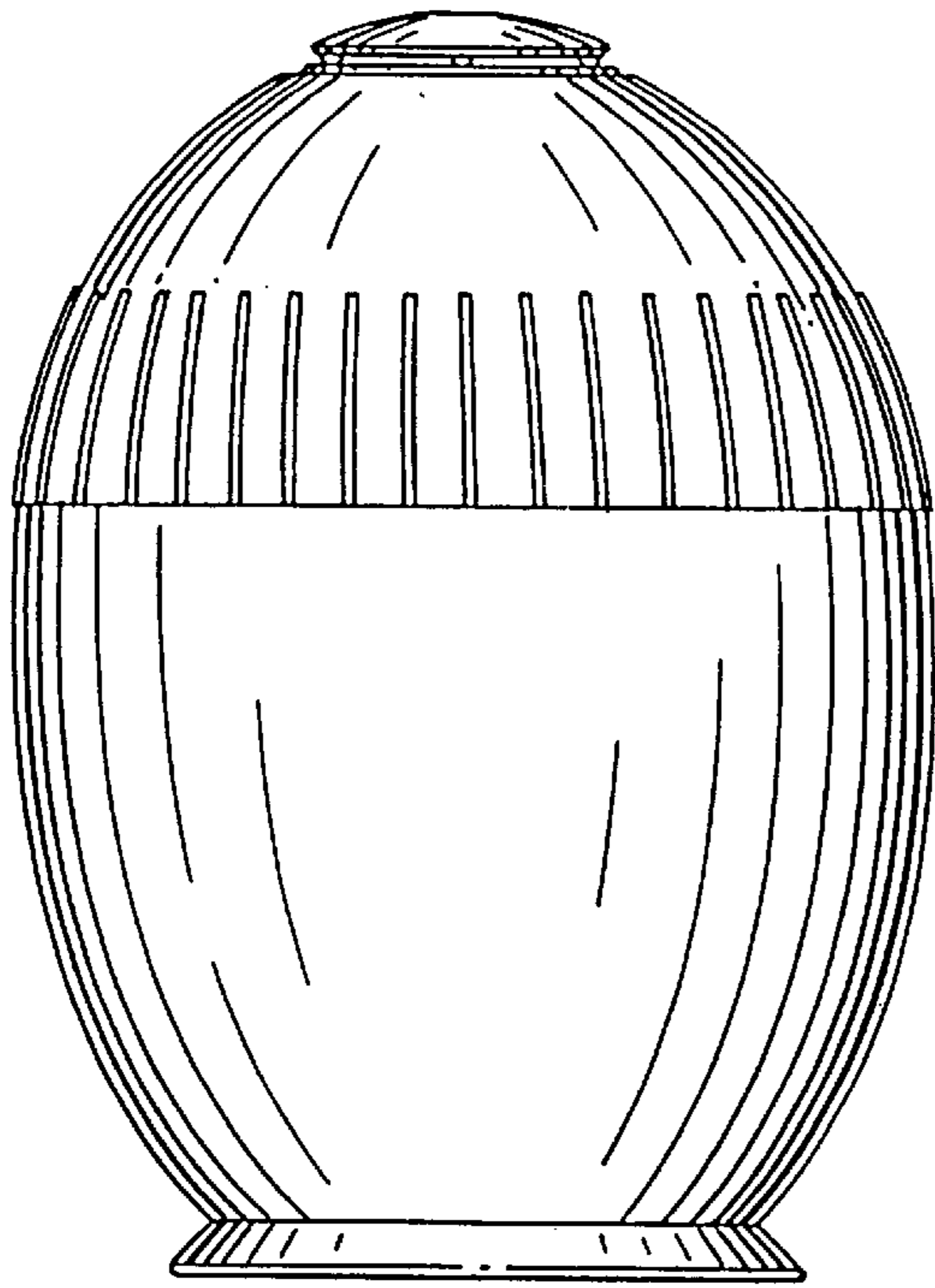


FIG. 2

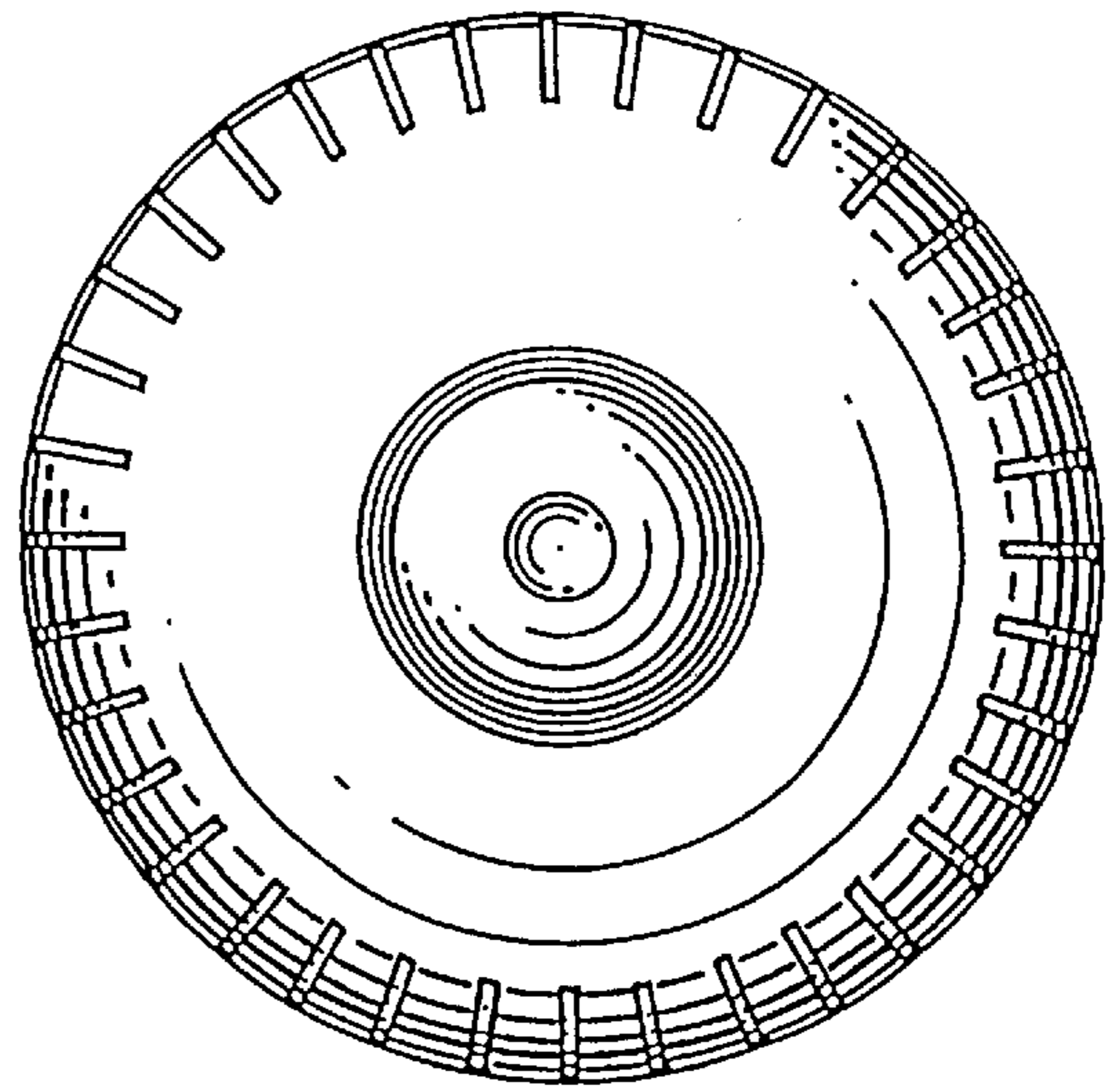


FIG. 3

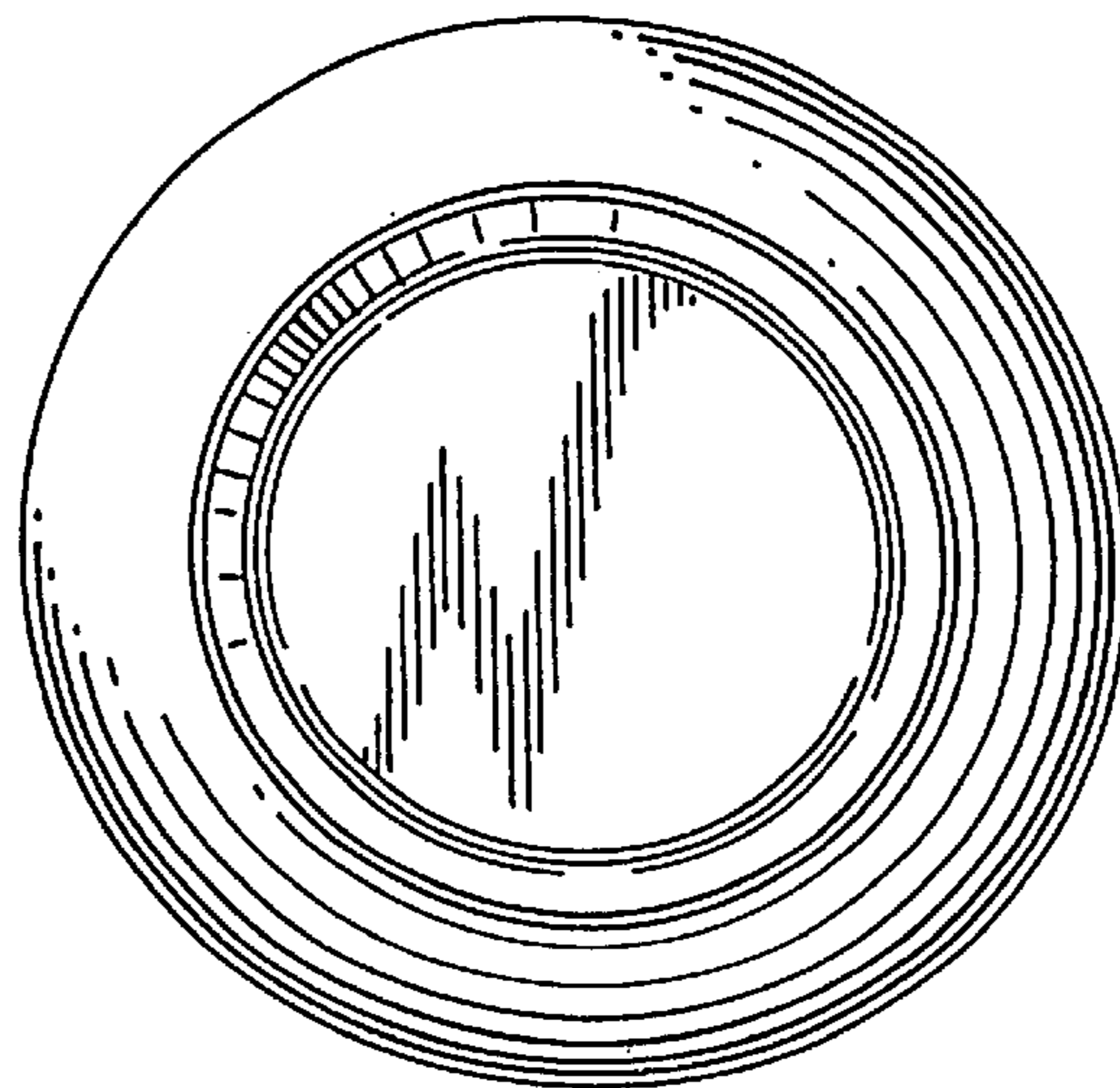


FIG. 4

