



US00D441593S

(12) **United States Design Patent**
Gudefin

(10) **Patent No.:** **US D441,593 S**

(45) **Date of Patent:** **** May 8, 2001**

(54) **COFFEE MAKER**

(75) **Inventor:** **Jacques Gudefin, Saint Priest (FR)**

(73) **Assignee:** **Calor S.A., Lyons (FR)**

(**) **Term:** **14 Years**

(21) **Appl. No.:** **29/114,397**

(22) **Filed:** **Nov. 23, 1999**

(30) **Foreign Application Priority Data**

May 25, 1999 (XH) DM/047978

(51) **LOC (7) Cl.** **07-01**

(52) **U.S. Cl.** **D7/309; D7/311**

(58) **Field of Search** D7/300, 309, 310,
D7/311; 99/279, 283, 304, 280, 307; 210/455;
222/1

(56) **References Cited**

U.S. PATENT DOCUMENTS

- D. 277,538 * 2/1985 Jack D7/309
- D. 323,949 * 2/1992 Kahlcke D7/309
- D. 324,621 * 3/1992 Haslacher D7/309
- D. 336,206 * 6/1993 Littmann D7/309
- D. 337,475 * 7/1993 Seiffert D7/309
- D. 354,193 * 1/1995 Storsberg D7/309
- D. 360,802 * 8/1995 Seiffert D7/309
- D. 364,306 * 11/1995 Storsberg D7/309

- D. 380,334 * 7/1997 Lin D7/309
- D. 395,976 * 7/1998 Seiffert et al. D7/309
- D. 414,371 * 9/1999 Seiffert D7/309
- D. 431,748 * 10/2000 Cahen D7/309
- D. 431,749 * 10/2000 Cahen D7/309
- D. 431,750 * 10/2000 Cahen D7/309
- D. 431,751 * 10/2000 Cahen D7/309
- 4,852,474 * 8/1989 Mahlich et al. 99/293

* cited by examiner

Primary Examiner—M. N. Pandozzi

(74) *Attorney, Agent, or Firm*—Cantor Colburn LLP

(57) **CLAIM**

The ornamental design for a coffee maker, as shown and described.

DESCRIPTION

FIG. 1 is a top and front perspective view of a coffee maker, showing my new design;
 FIG. 2 is a front elevational view thereof;
 FIG. 3 is a rear elevational view thereof;
 FIG. 4 is a side elevational view thereof, taken from the right of FIG. 2;
 FIG. 5 is a side elevational view thereof, taken from the left of FIG. 2;
 FIG. 6 is a top elevational view thereof; and,
 FIG. 7 is an bottom elevational view thereof.

1 Claim, 7 Drawing Sheets

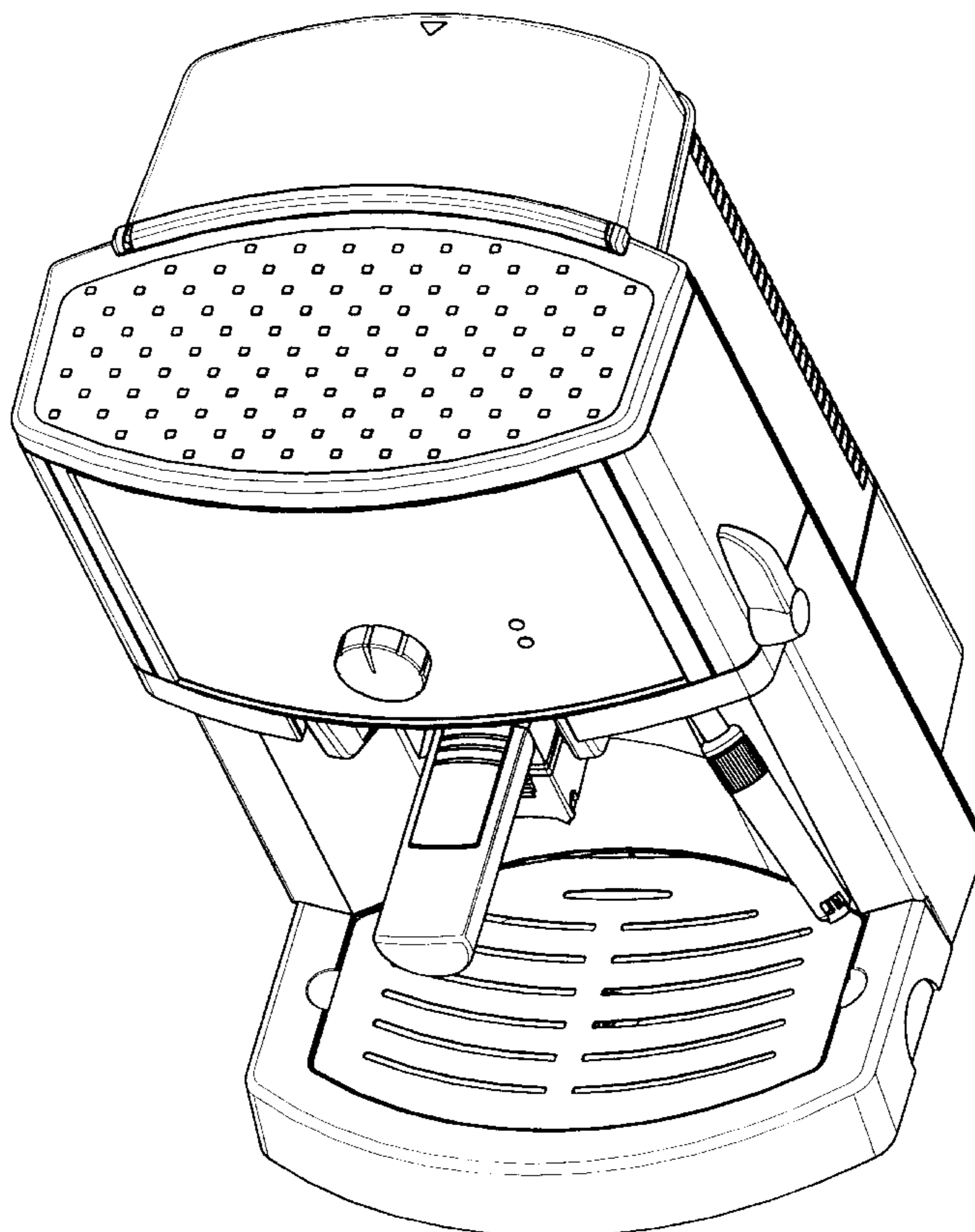


Figure 1

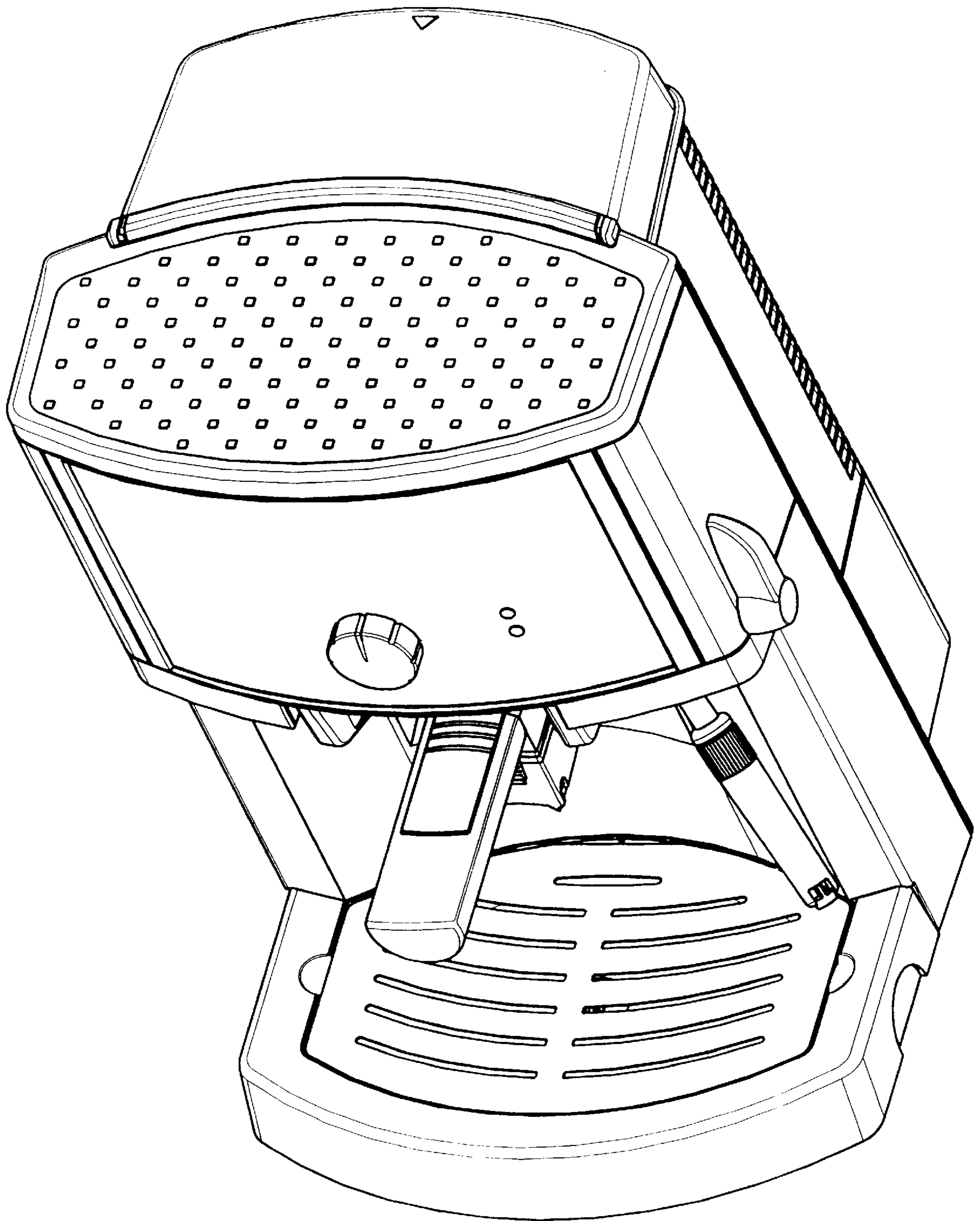


Figure 2

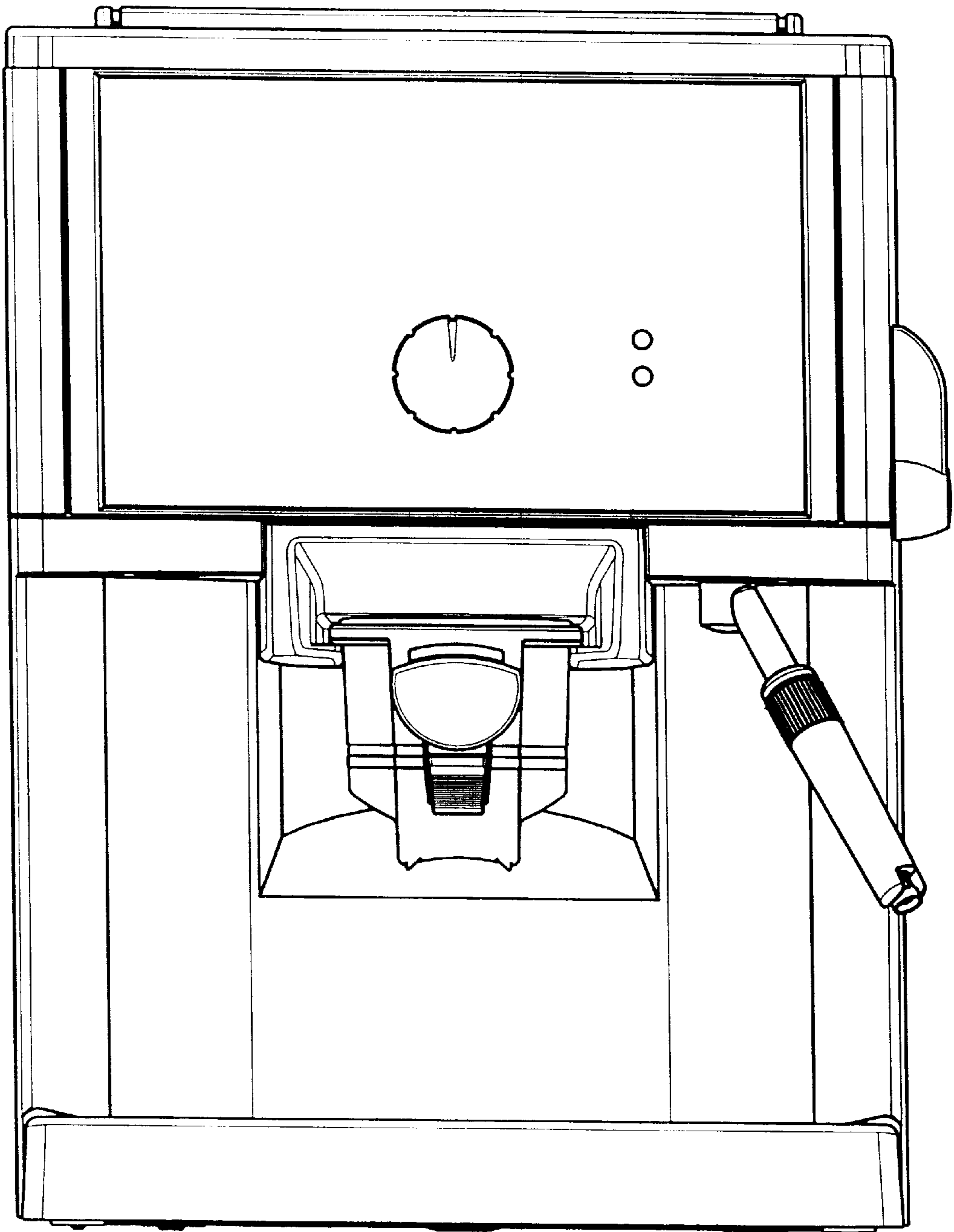


Figure 3

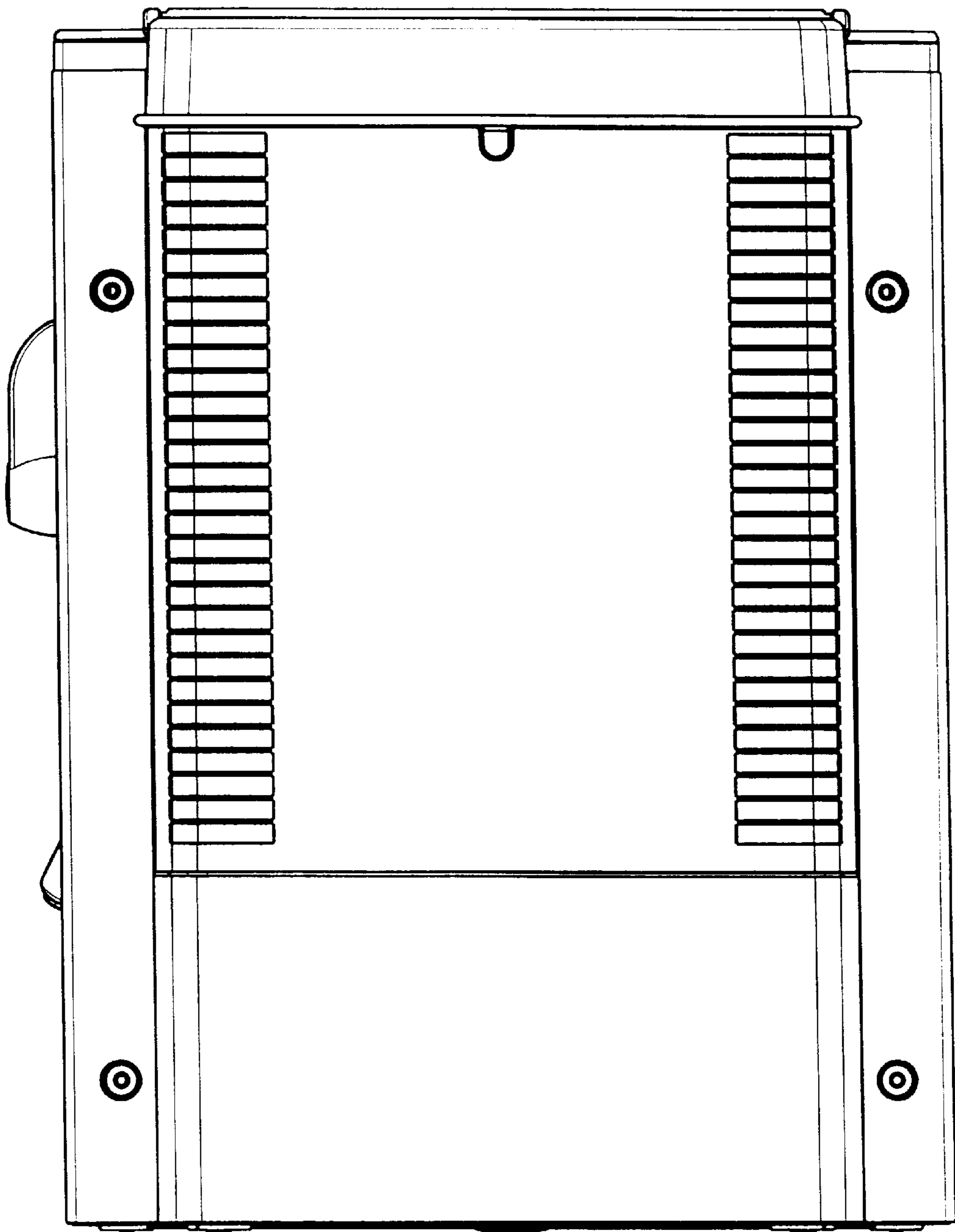


Figure 4

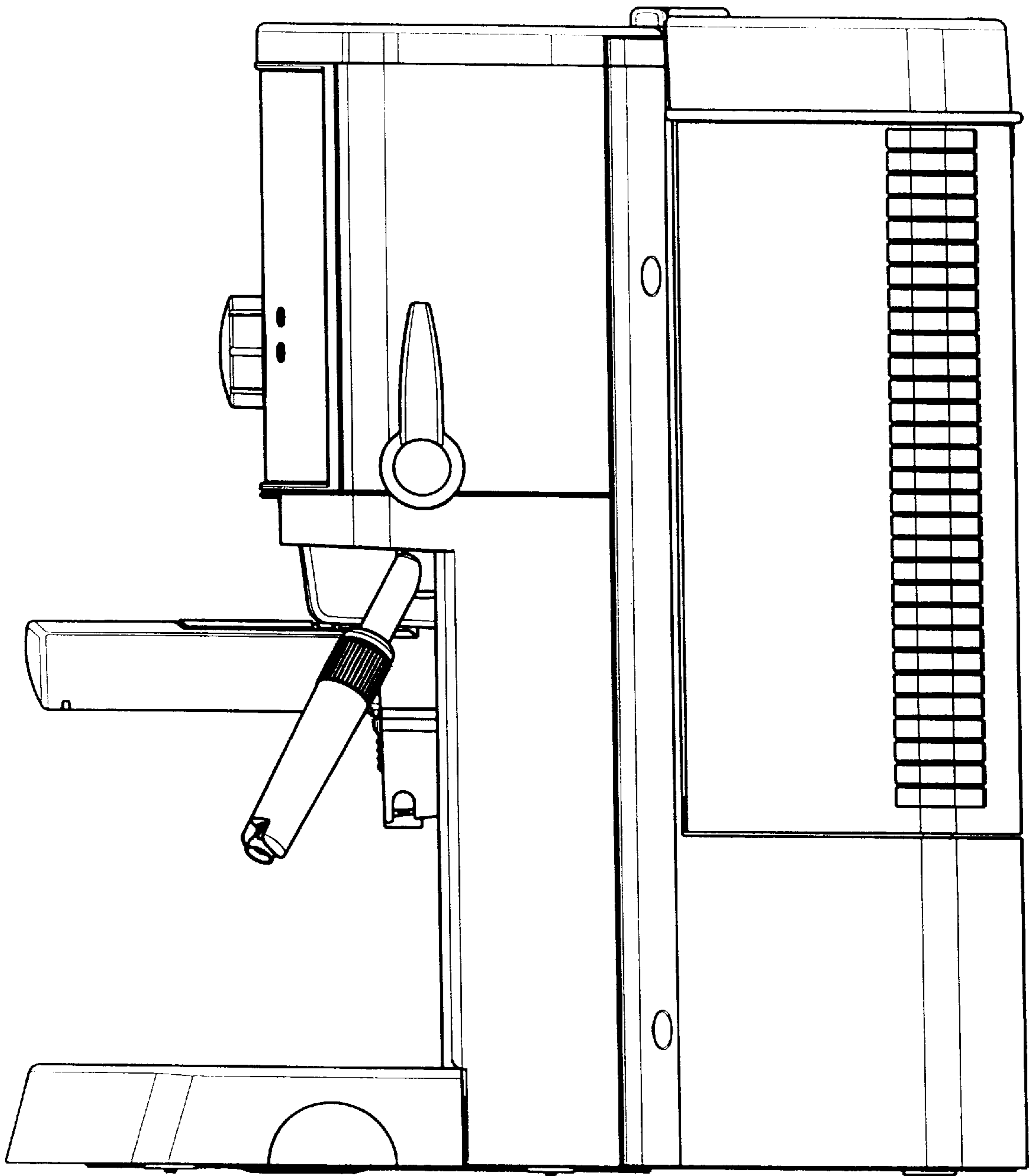


Figure 5

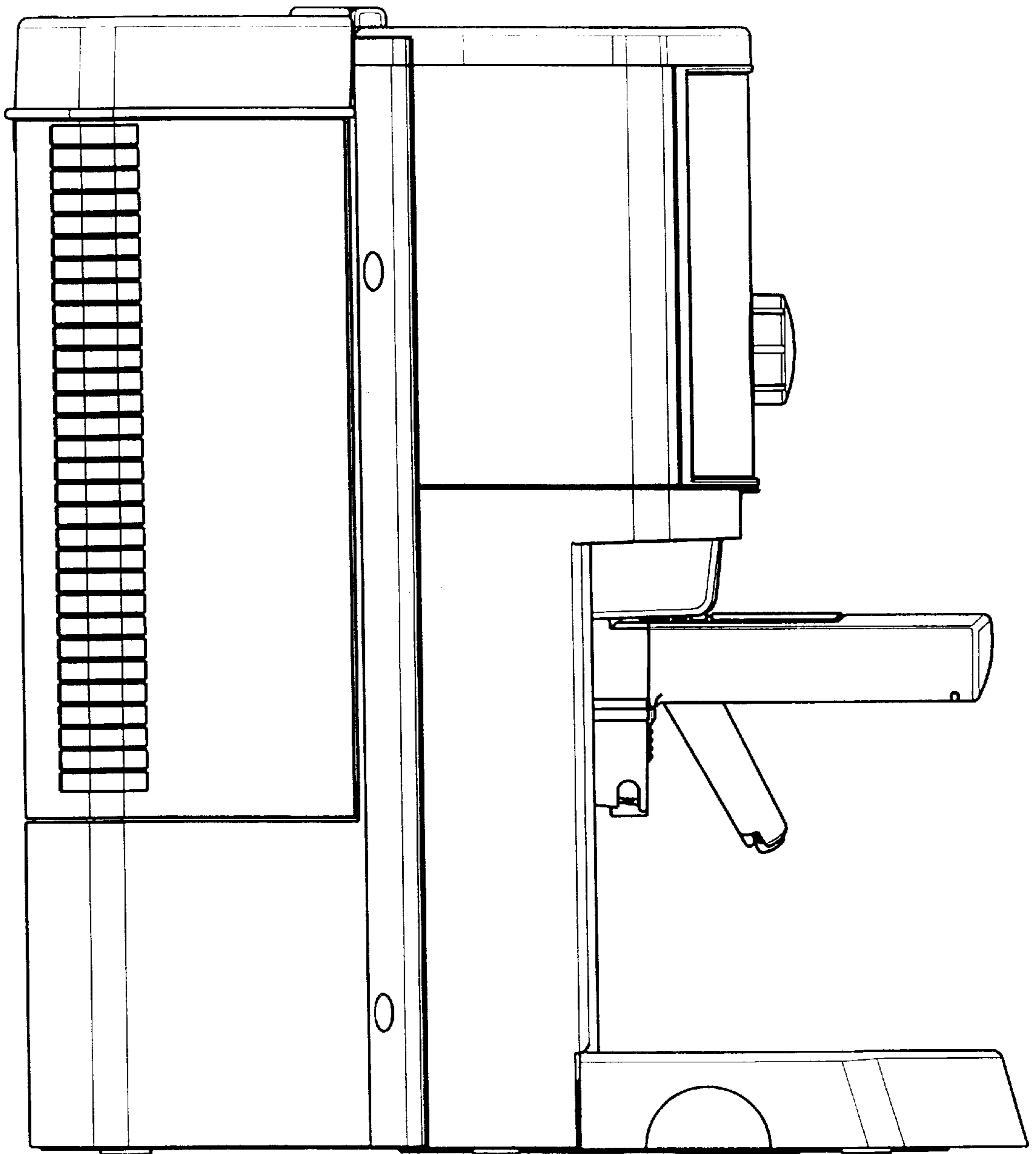


Figure 6

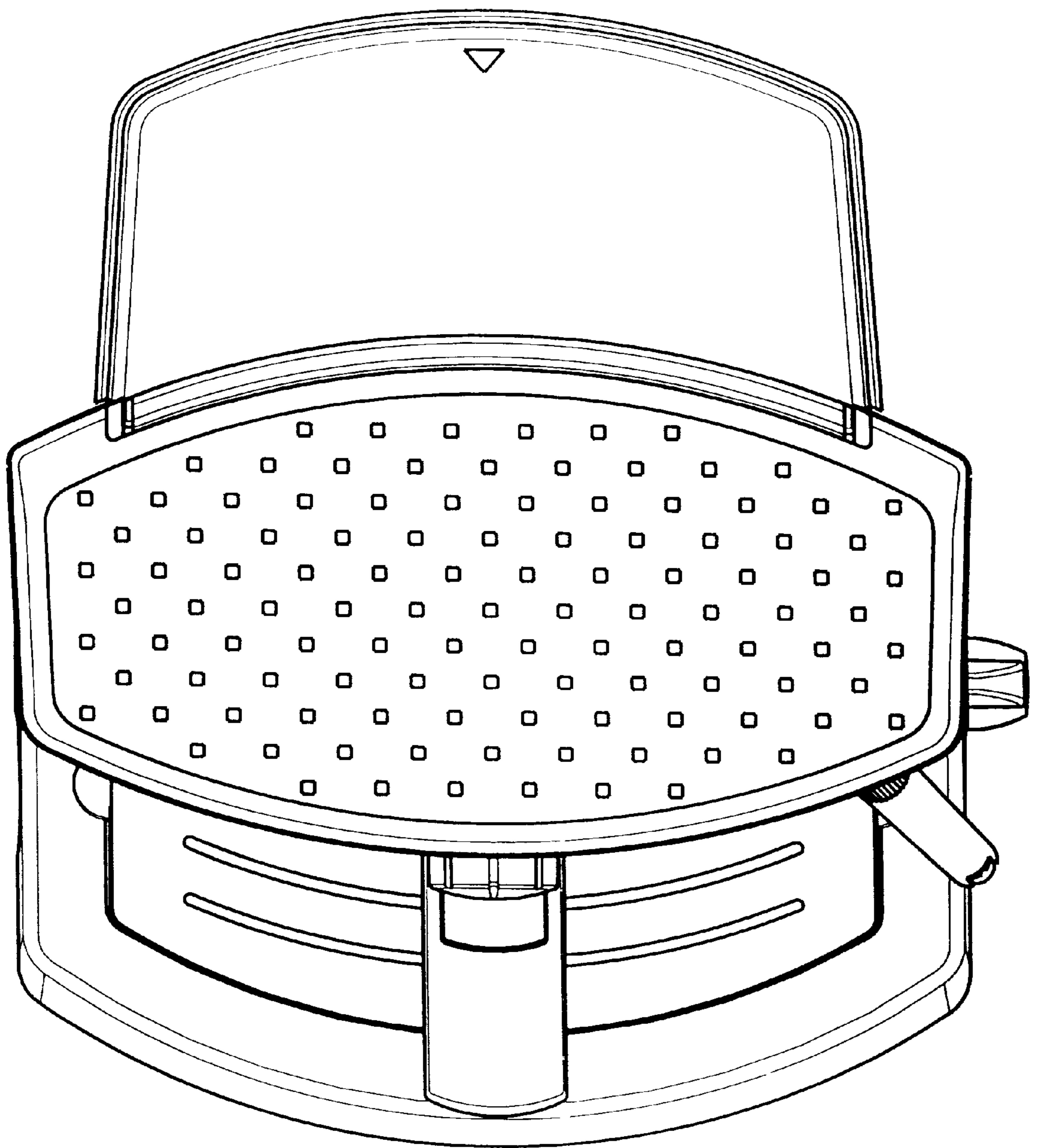


Figure 7

