



US00D441592S

(12) **United States Design Patent**
Lin

(10) **Patent No.:** **US D441,592 S**

(45) **Date of Patent:** **** May 8, 2001**

(54) **COMPACT DISK SHELF**

(76) Inventor: **Tsong-Yow Lin**, 58, Ma Yuan West St.,
Taichung (TW)

(**) Term: **14 Years**

(21) Appl. No.: **29/129,958**

(22) Filed: **Sep. 21, 2000**

(51) **LOC (7) Cl.** **06-04**

(52) **U.S. Cl.** **D6/630; D6/468**

(58) **Field of Search** D6/407, 626-630,
D6/462-468, 450, 457, 473-476, 556-567,
570-572, 553; D32/55, 58; 211/40, 41.1,
41.2, 41.3, 41.4, 42, 41.12, 44, 41.18, 48,
181.1

(56) **References Cited**

U.S. PATENT DOCUMENTS

| | | | | | |
|------------|---|---------|----------------|-------|--------|
| D. 89,626 | * | 4/1933 | Carpenter | | D6/462 |
| D. 132,201 | * | 4/1942 | Slough | | D6/407 |
| D. 142,498 | * | 10/1945 | Salinger | | D6/468 |
| D. 199,504 | * | 11/1964 | Maiolatesi | | D6/467 |
| D. 353,400 | * | 12/1994 | Goodman et al. | | D19/90 |
| D. 395,569 | * | 6/1998 | Hamada | | D6/629 |
| D. 434,591 | * | 12/2000 | Goodman et al. | | D6/629 |

| | | | | | |
|-----------|---|---------|---------------|-------|-----------|
| 1,192,299 | * | 7/1916 | Goebel | | 211/40 X |
| 1,250,220 | * | 12/1917 | Powers | | 211/40 X |
| 1,487,942 | * | 3/1924 | Hines | | 211/41.3 |
| 3,094,129 | * | 6/1963 | Wills | | 131/238 |
| 3,290,238 | * | 12/1966 | Wierwille | | 204/297.1 |
| 3,461,842 | * | 8/1969 | Conrad et al. | | 211/41.1 |
| 5,054,626 | * | 10/1991 | Stempinski | | 211/40 |
| 5,195,642 | * | 3/1993 | Dardashti | | 211/40 |

* cited by examiner

Primary Examiner—Jeffrey Asch

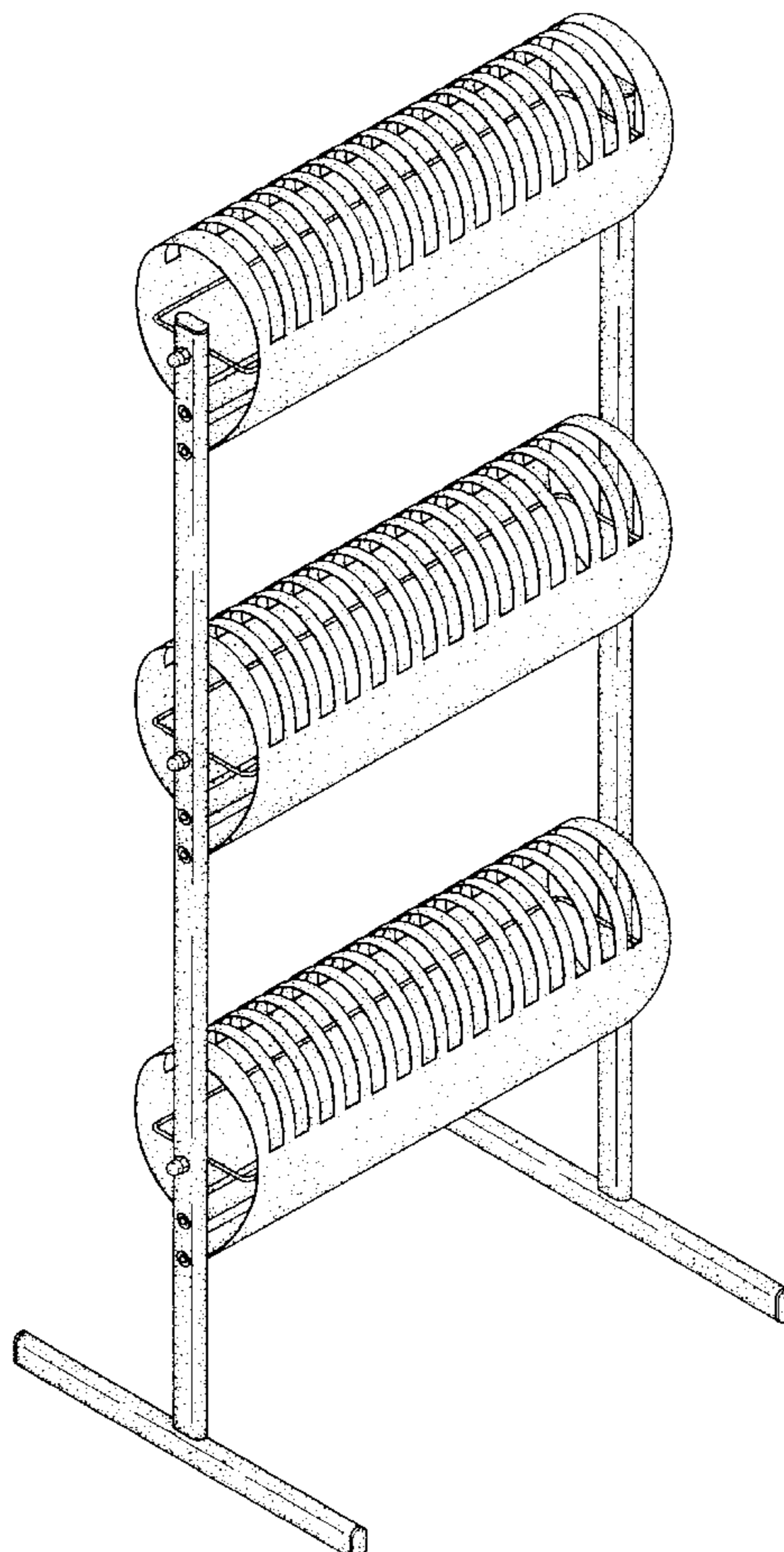
(57) **CLAIM**

The ornamental design for a compact disk shelf, as shown and described.

DESCRIPTION

FIG. 1 is a perspective view of a compact disk shelf showing my new design;
FIG. 2 is a front elevational view thereof;
FIG. 3 is a rear elevational view thereof;
FIG. 4 is a left side elevational view thereof.
FIG. 5 is a right side elevational view thereof;
FIG. 6 is a top plan view thereof; and,
FIG. 7 is a bottom plan view thereof.

1 Claim, 6 Drawing Sheets



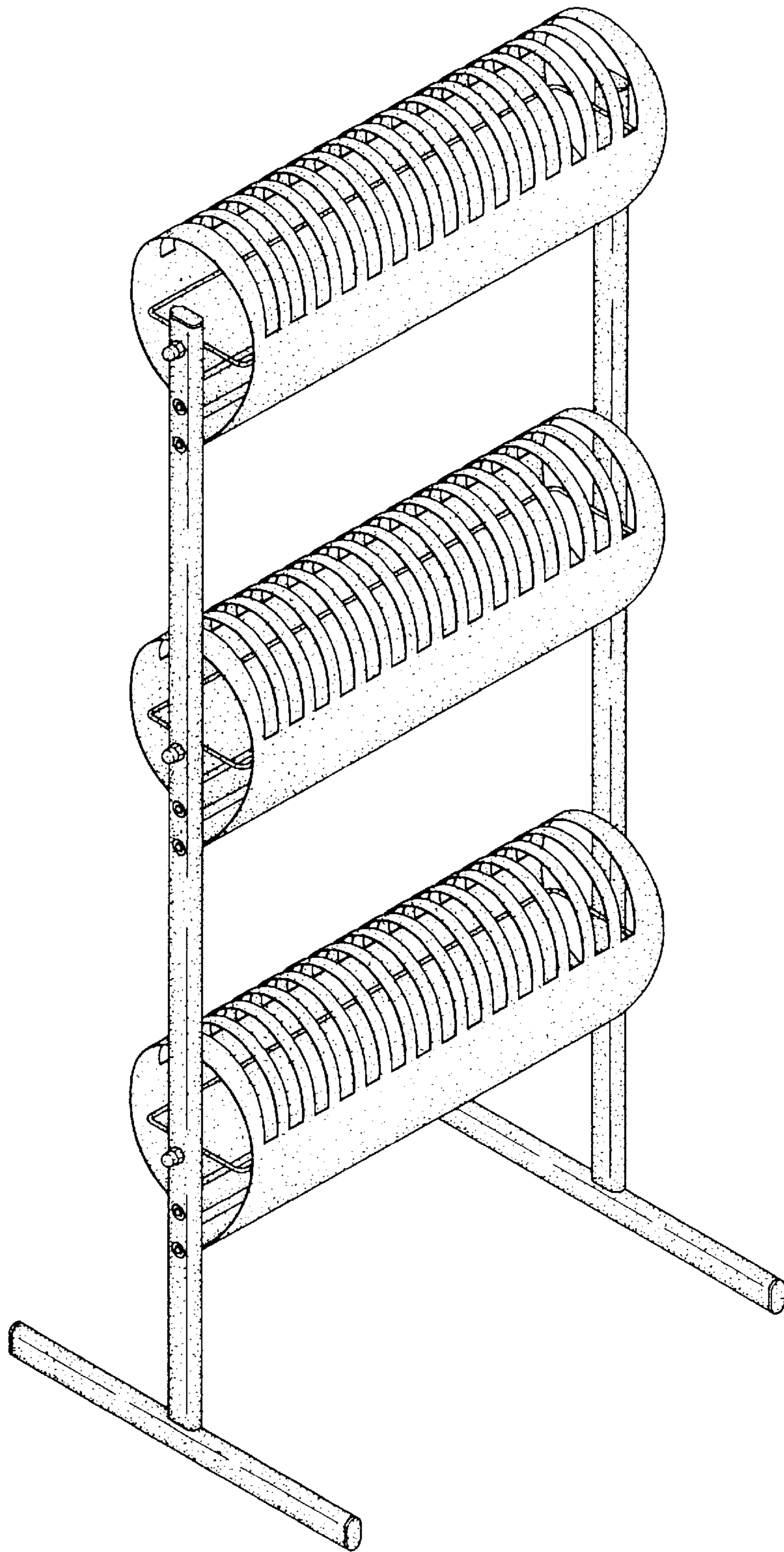
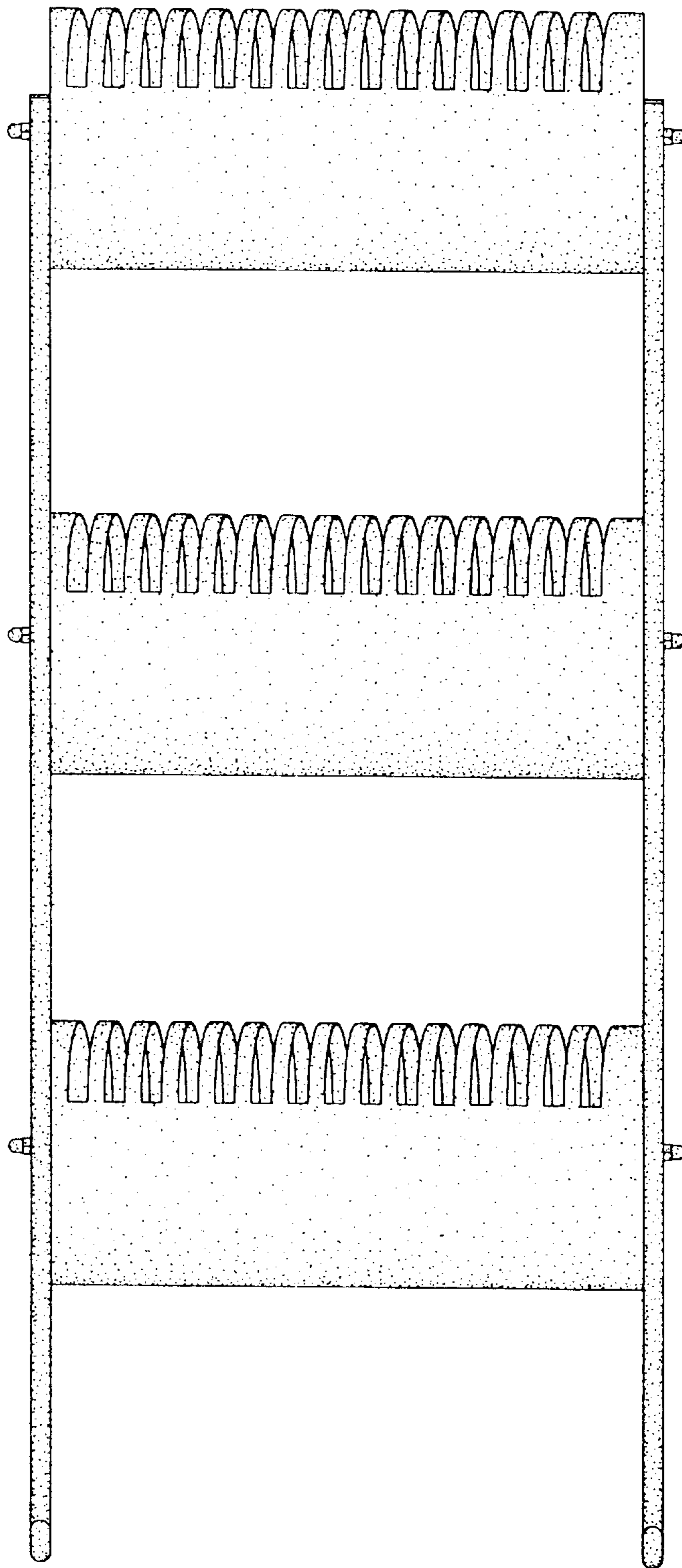
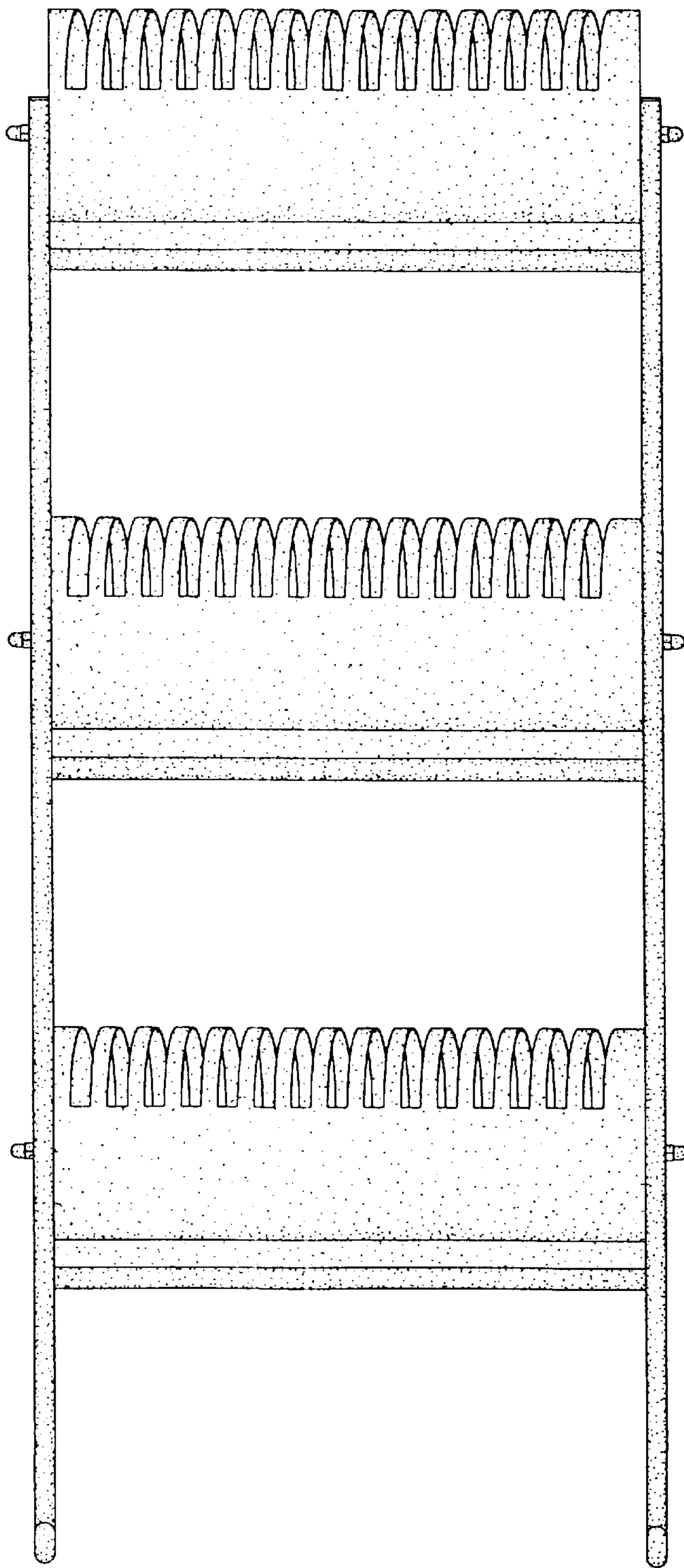


FIG. 1



F I G. 2



F I G. 3

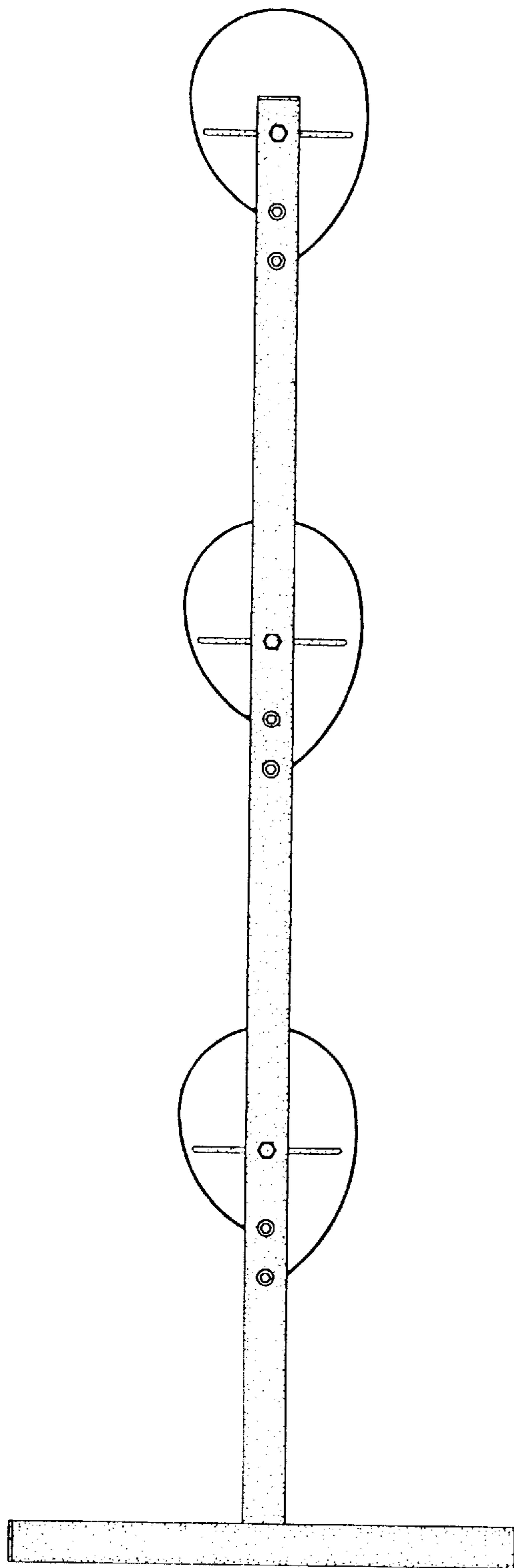


FIG. 4

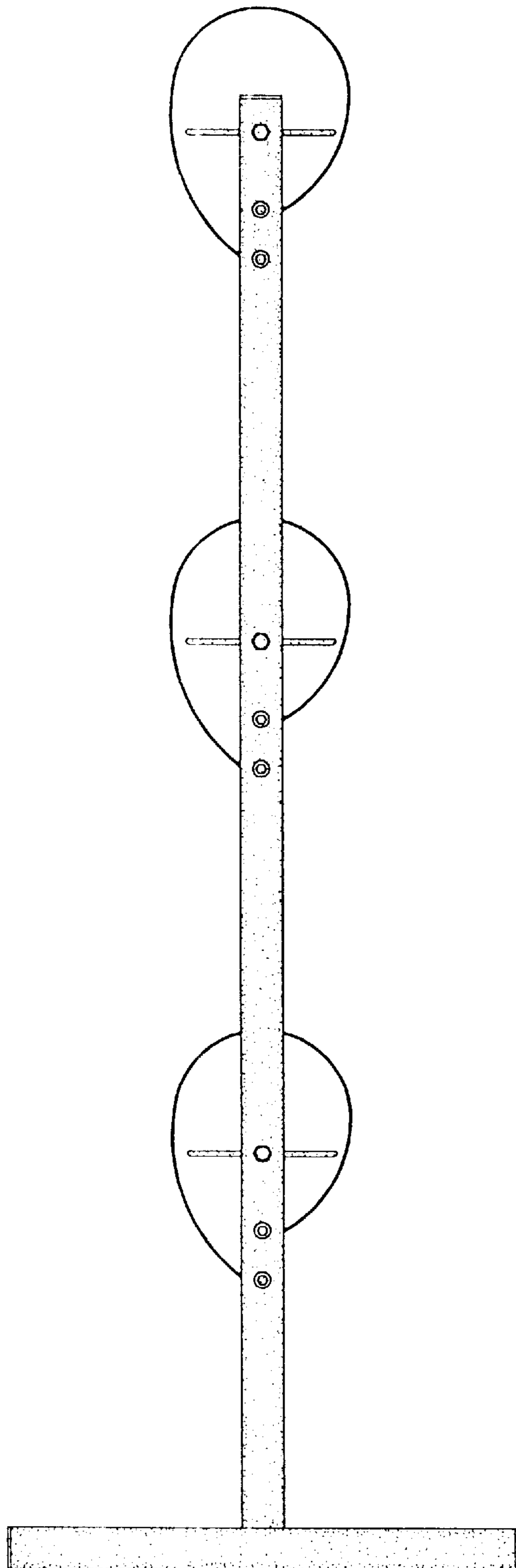
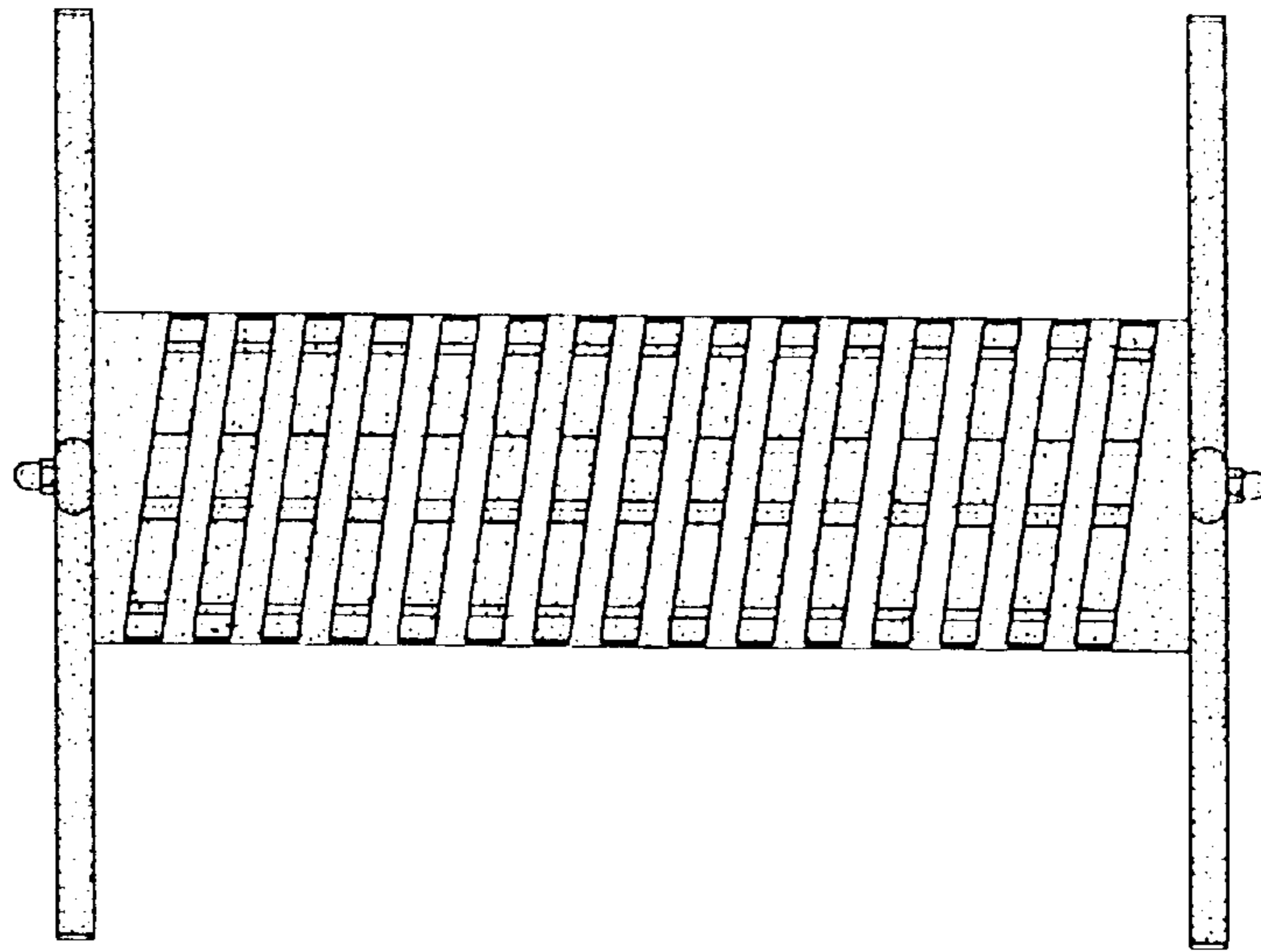
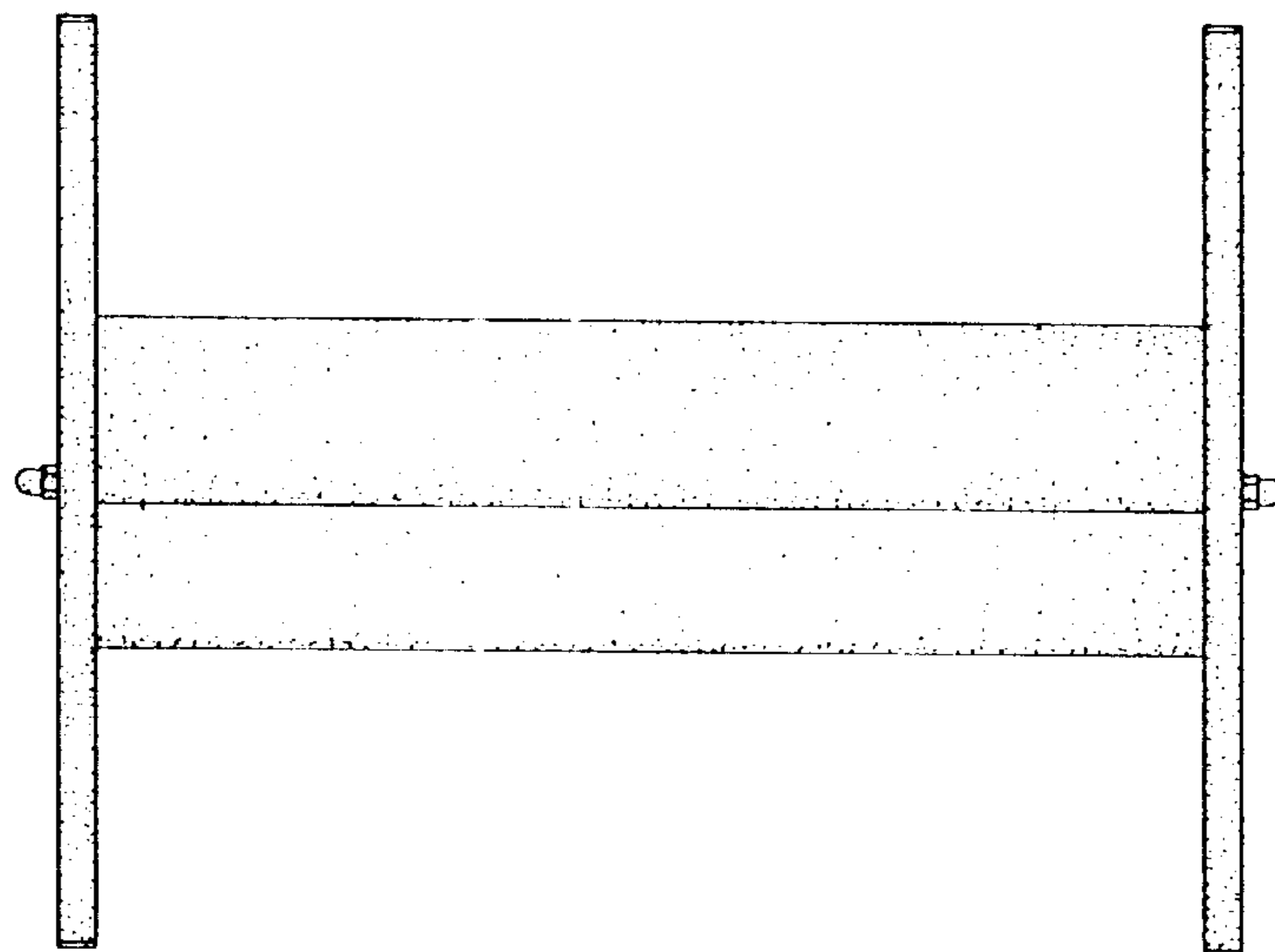


FIG. 5



F I G. 6



F I G. 7