



US00D441587S

(12) **United States Design Patent**  
**Cameron**

(10) **Patent No.:** **US D441,587 S**

(45) **Date of Patent:** **\*\* May 8, 2001**

(54) **PORTABLE SEAT CUSHION**

3,965,507 \* 6/1976 Relland ..... 5/655.3

(76) **Inventor:** **Frederick J. Cameron**, 2444 Sagamore  
Dr., Anderson, IN (US) 46011

\* cited by examiner

(\*\*) **Term:** **14 Years**

*Primary Examiner*—Janice E. Seeger

(74) *Attorney, Agent, or Firm*—Neal O. Willmann

(21) **Appl. No.:** **29/122,012**

(57) **CLAIM**

(22) **Filed:** **Apr. 19, 2000**

The ornamental design for a portable seat cushion, as shown and described.

(51) **LOC (7) Cl.** ..... **06-09**

**DESCRIPTION**

(52) **U.S. Cl.** ..... **D6/601**

(58) **Field of Search** ..... D6/595, 596, 601,  
D6/604; 5/630, 631, 633, 636, 645, 652-655,  
655.3, 655.5, 655.9, 656

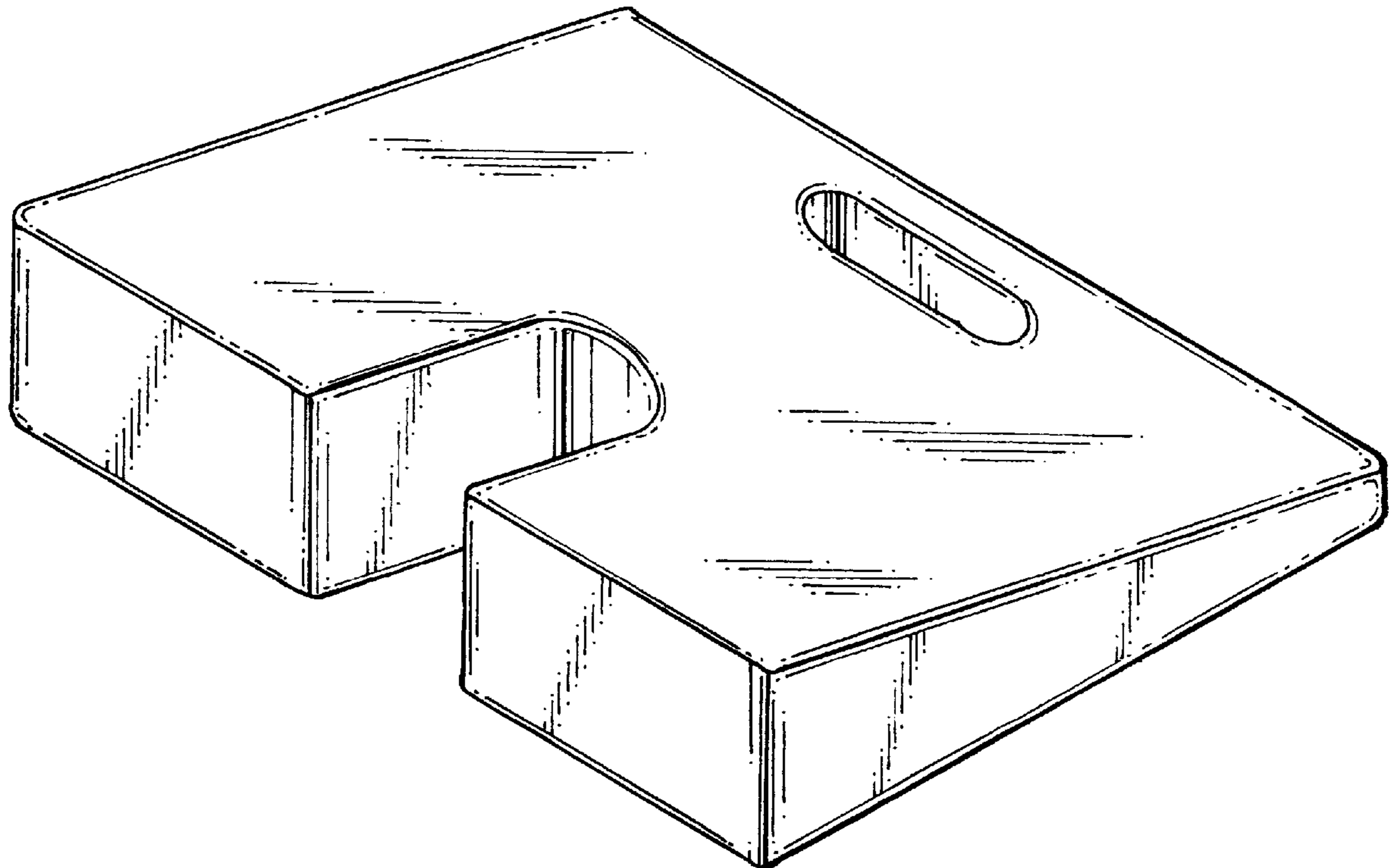
FIG. 1 is a top plan view showing my new design for a portable seat cushion, the bottom plan view being identical; FIG. 2 is a front elevational view thereof; FIG. 3 is a rear elevational view thereof; FIG. 4 is a side elevational view thereof, both sides being identical; and, FIG. 5 is a perspective view thereof.

(56) **References Cited**

**U.S. PATENT DOCUMENTS**

2,835,905 \* 5/1958 Tomasson ..... 5/636  
3,009,172 \* 11/1961 Eidam ..... 5/636  
3,323,151 \* 6/1967 Lerman ..... 5/653

**1 Claim, 2 Drawing Sheets**



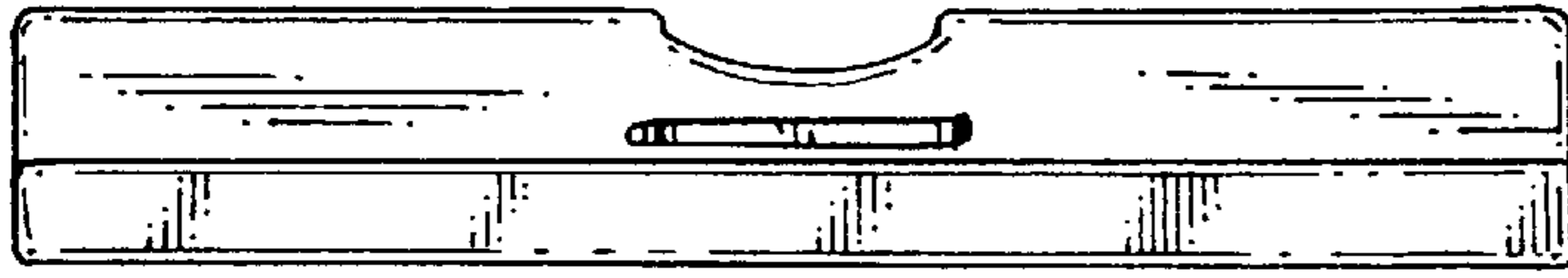


Fig. 2

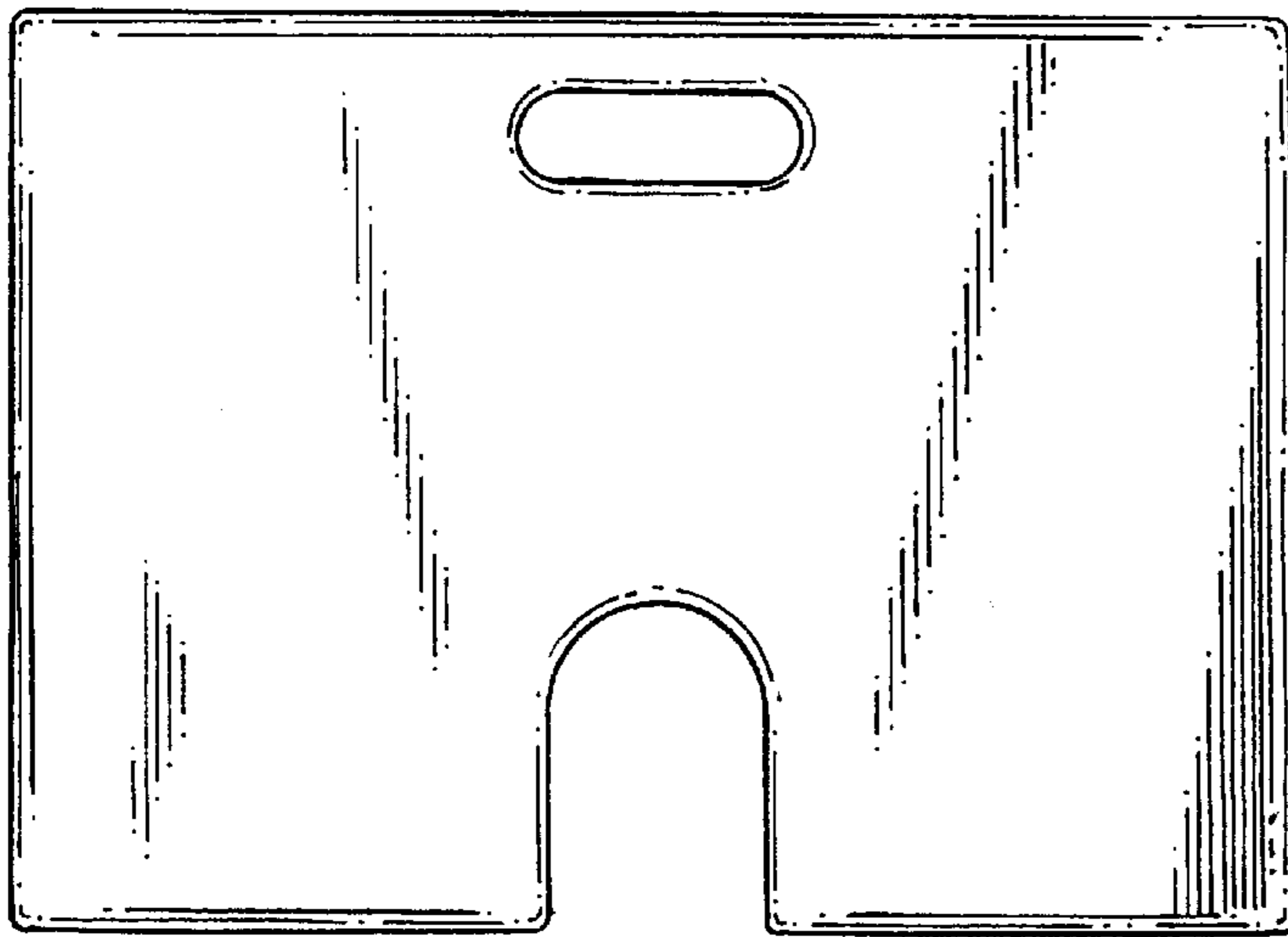


Fig. 1



Fig. 4

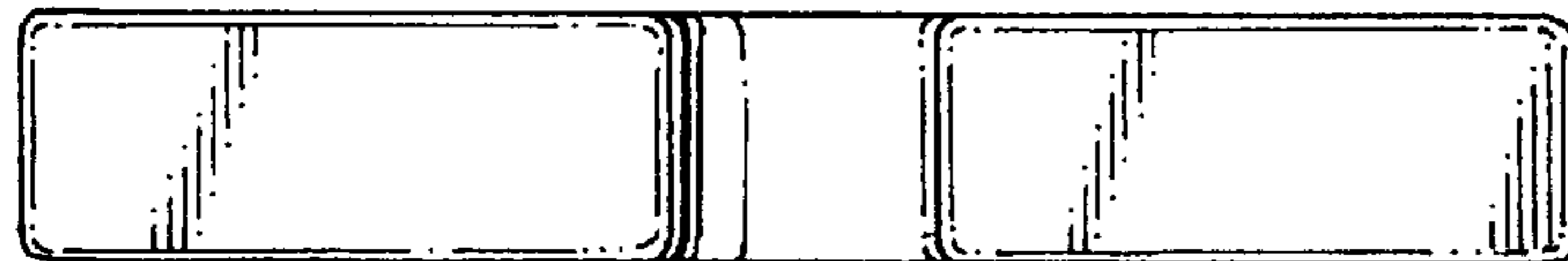


Fig. 3

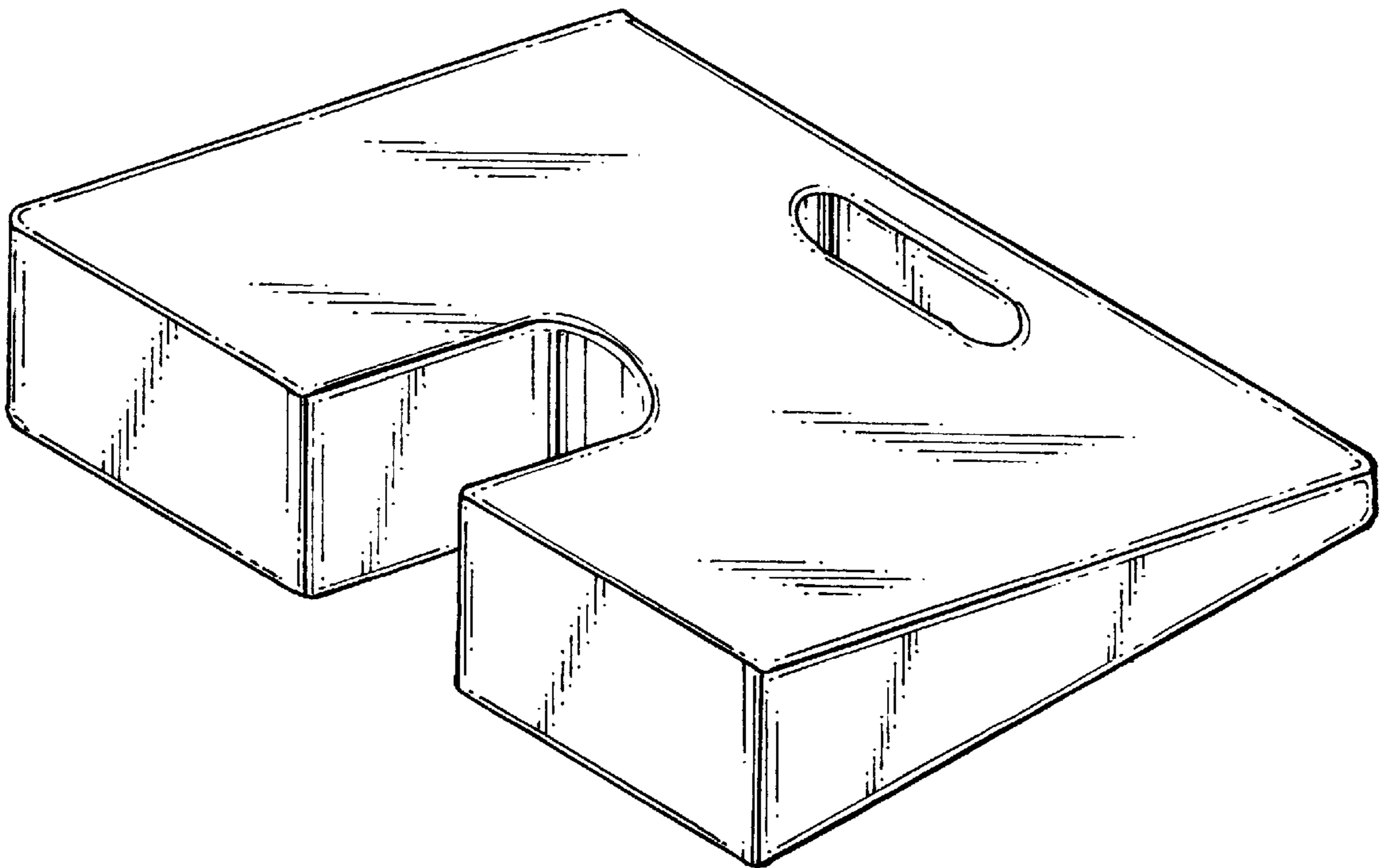


FIG. 5