



US00D441586S

(12) **United States Design Patent**
Su

(10) **Patent No.:** **US D441,586 S**

(45) **Date of Patent:** **** May 8, 2001**

(54) **CUSHION**

(76) **Inventor:** **David P. Su**, 1 Sunnyfield Dr., Rolling Hills Estates, CA (US) 90274

(**) **Term:** **14 Years**

(21) **Appl. No.:** **29/118,177**

(22) **Filed:** **Feb. 7, 2000**

(51) **LOC (7) Cl.** **06-09**

(52) **U.S. Cl.** **D6/601; D6/604**

(58) **Field of Search** D6/595, 596, 601, D6/604; 5/630, 632, 636, 638, 640, 644, 652, 652.1, 653, 654, 655, 657.5, 907

(56) **References Cited**

U.S. PATENT DOCUMENTS

- D. 388,651 * 1/1998 Graebe et al. D6/601
- D. 391,111 * 2/1998 Graebe et al. D6/601
- D. 420,238 * 2/2000 Jefferson et al. D6/601

* cited by examiner

Primary Examiner—Janice E. Seeger

(74) *Attorney, Agent, or Firm*—Allen A. Dicke, Jr.

(57) **CLAIM**

The ornamental design for a cushion, as shown and described.

DESCRIPTION

FIG. 1 is a plan view of the face of a cushion showing a preferred embodiment of my new design.

FIG. 2 shows the right edge thereof. The left edge is a mirror image thereof.

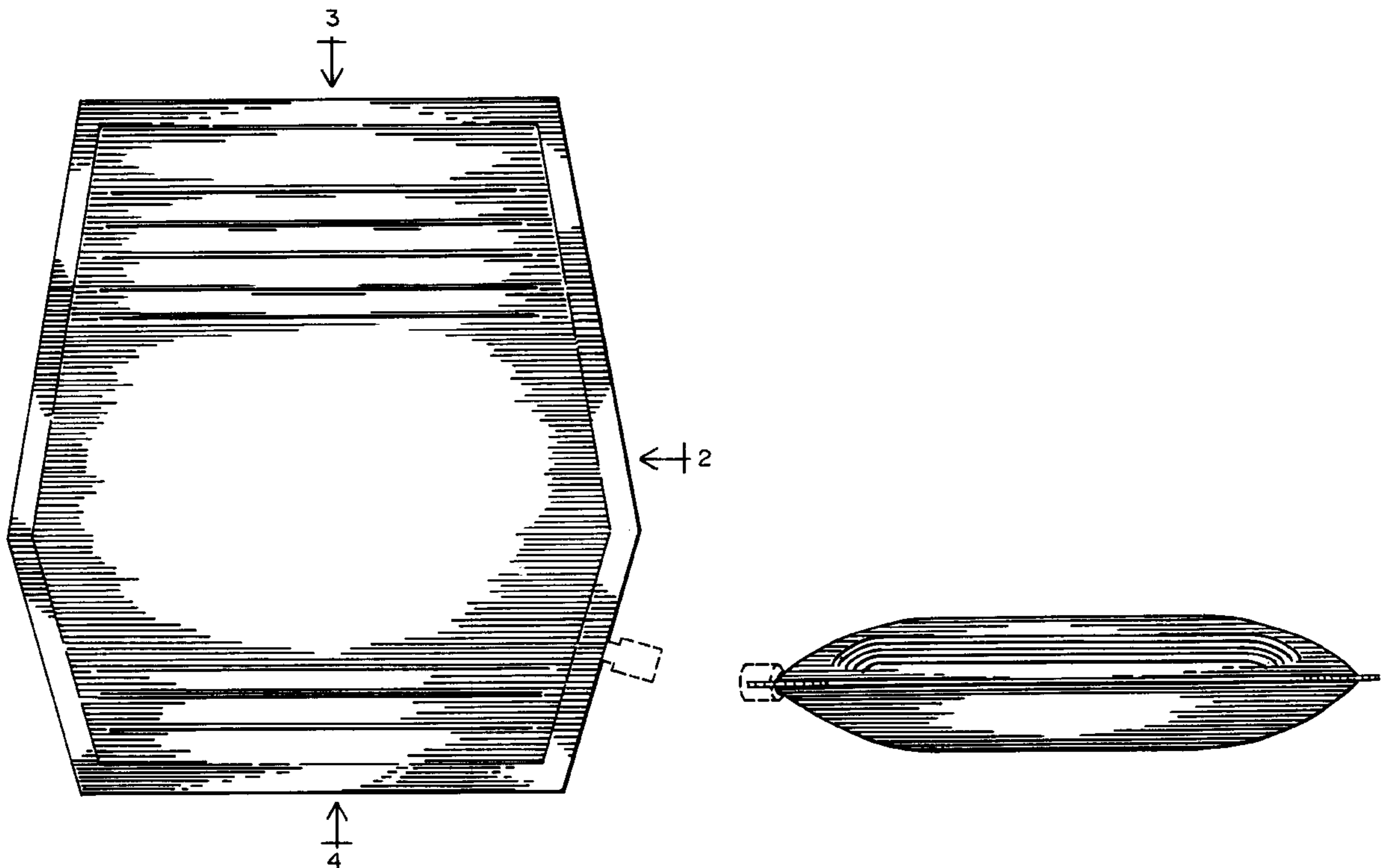
FIG. 3 shows the top edge view thereof.

FIG. 4 shows the top edge view thereof; and,

FIG. 5 shows the bottom edge view thereof.

The broken lines are for environmental purposes only and form no part of the claimed design.

1 Claim, 2 Drawing Sheets



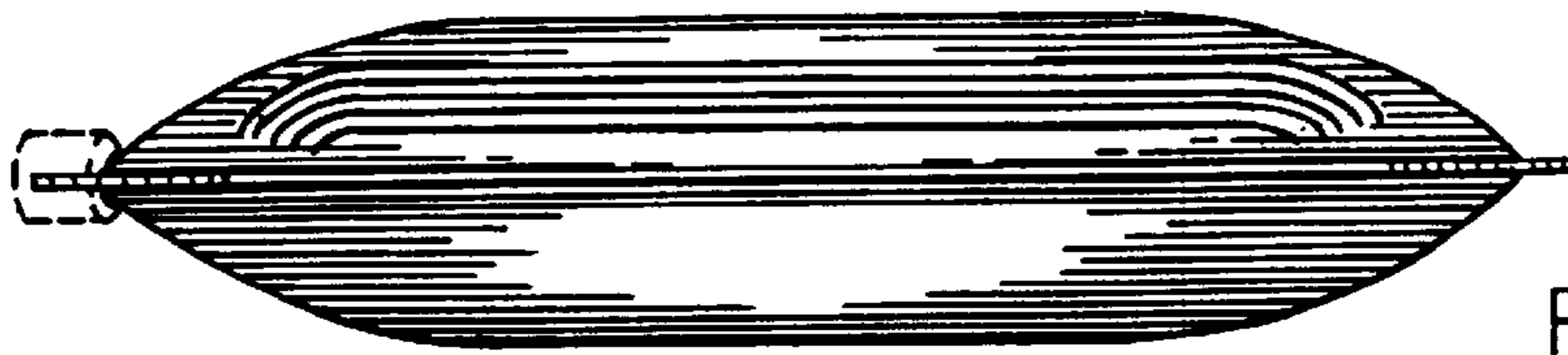


FIG. 3

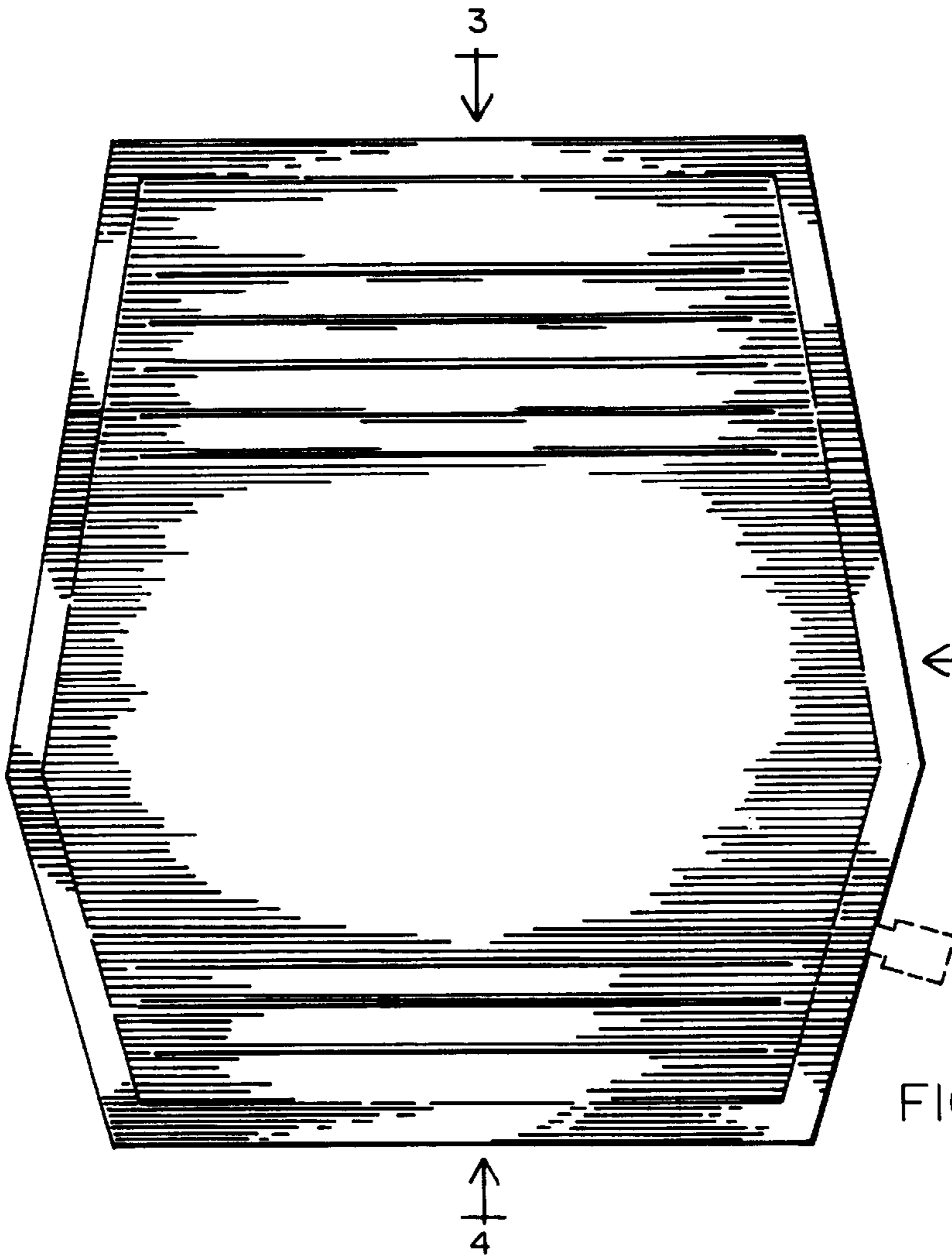


FIG. 1

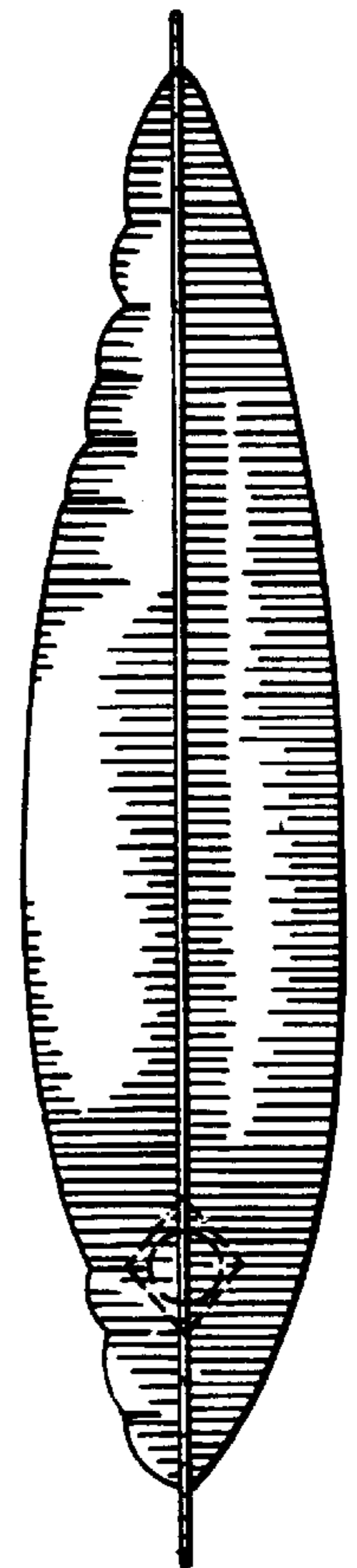


FIG. 2

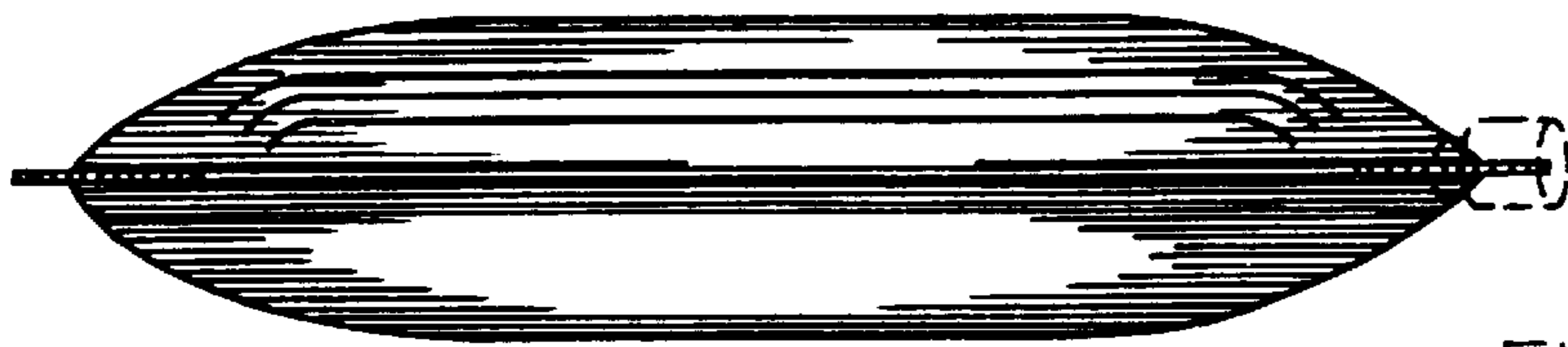


FIG. 4

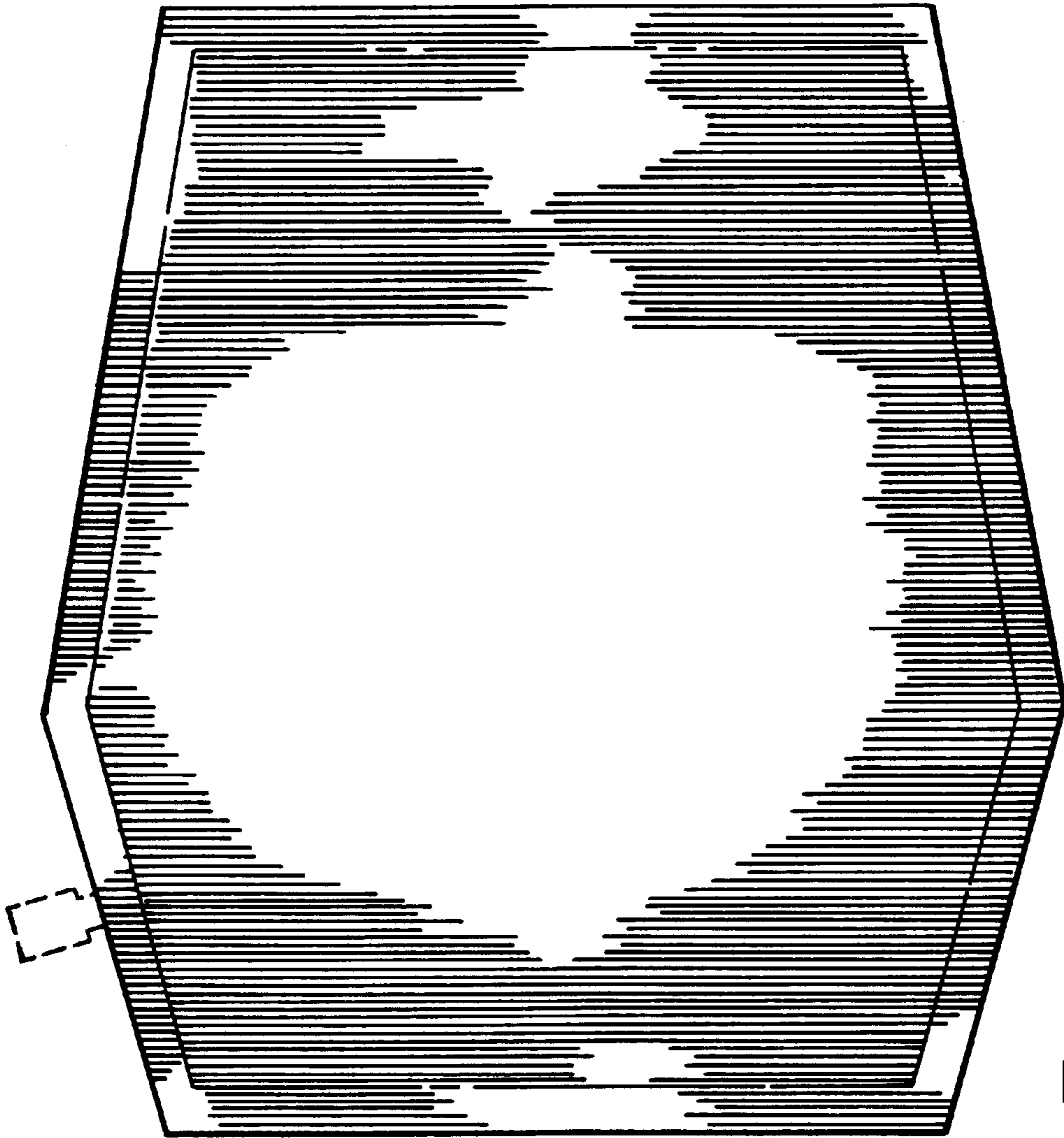


FIG. 5