



US00D441582S

(12) **United States Design Patent**
Moore

(10) **Patent No.:** **US D441,582 S**

(45) **Date of Patent:** **** May 8, 2001**

(54) **TOWEL RING**

D. 357,838 * 5/1995 Lehn et al. D6/546
D. 394,970 * 6/1998 Ho D6/549

(75) Inventor: **Glenn David Moore**, Newfoundland,
NJ (US)

* cited by examiner

(73) Assignee: **Melard Manufacturing Corp.**, Passaic,
NJ (US)

Primary Examiner—Brian N. Vinson

(74) *Attorney, Agent, or Firm*—Edgar A. Zarins; Lloyd D.
Doigan

(**) Term: **14 Years**

(57) **CLAIM**

(21) Appl. No.: **29/122,680**

The ornamental design for a towel ring, as shown and
described.

(22) Filed: **May 2, 2000**

DESCRIPTION

(51) **LOC (7) Cl.** **06-04**

(52) **U.S. Cl.** **D6/546**

(58) **Field of Search** D6/518–523, 546–550,
D6/524; 248/309.1, 315; 211/13.1, 16, 86.01,
87.01, 88.04, 123; 242/570, 590, 595, 598

FIG. 1 is a front elevational view of a towel ring showing my
new design;

FIG. 2 is a top plan view thereof;

FIG. 3 is a left side view thereof, the opposite side being a
mirror image of the side shown;

FIG. 4 is a bottom plan view thereof; and,

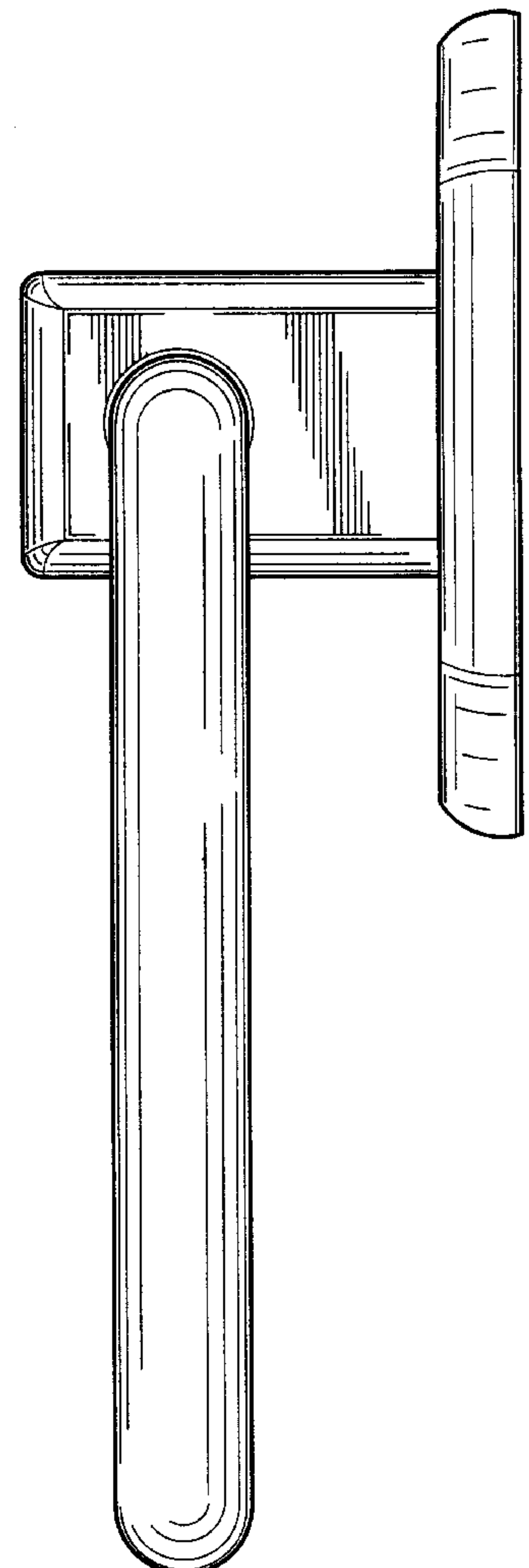
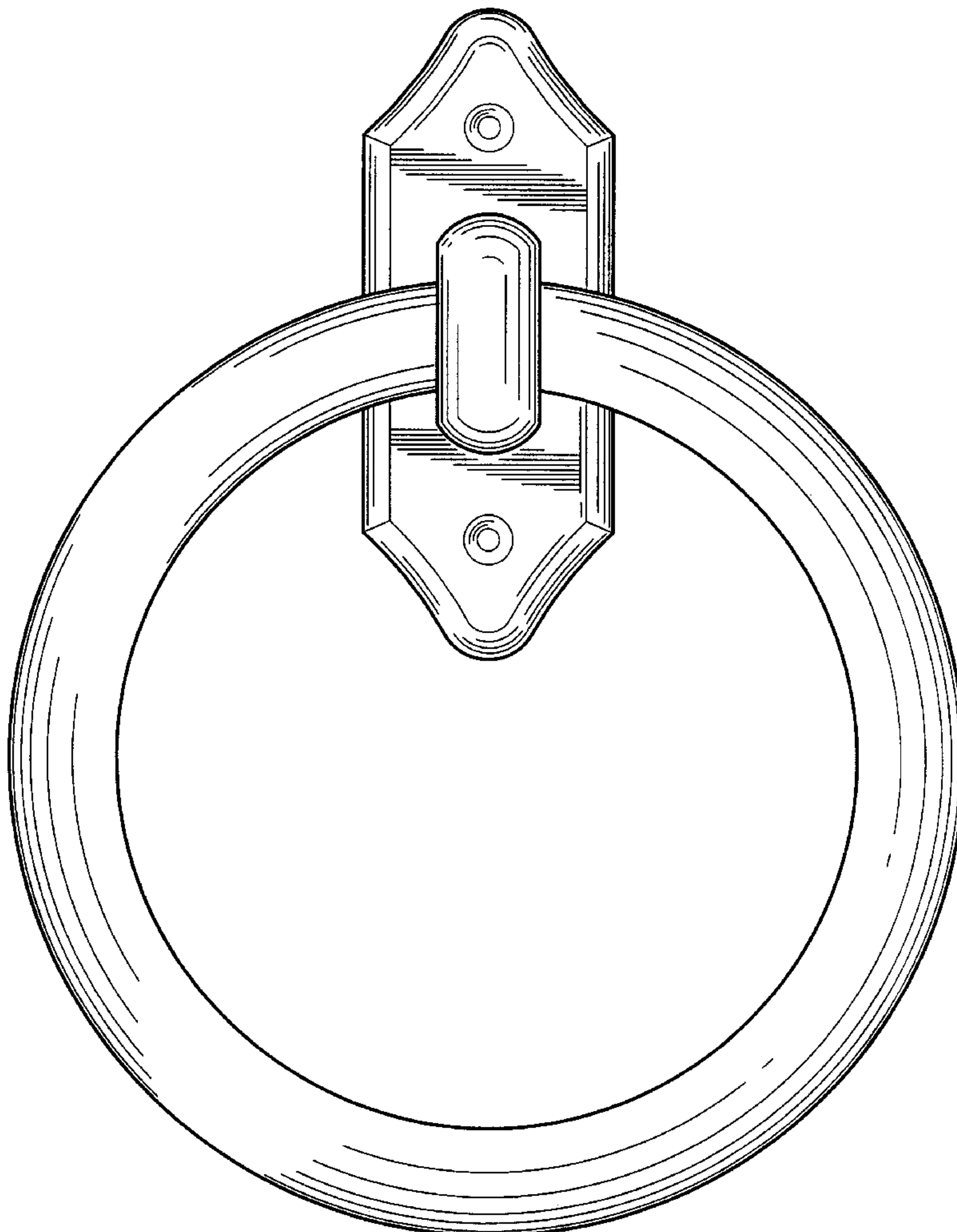
FIG. 5 is a rear elevational view thereof.

(56) **References Cited**

U.S. PATENT DOCUMENTS

D. 167,892 * 10/1952 Hallward D6/549

1 Claim, 3 Drawing Sheets



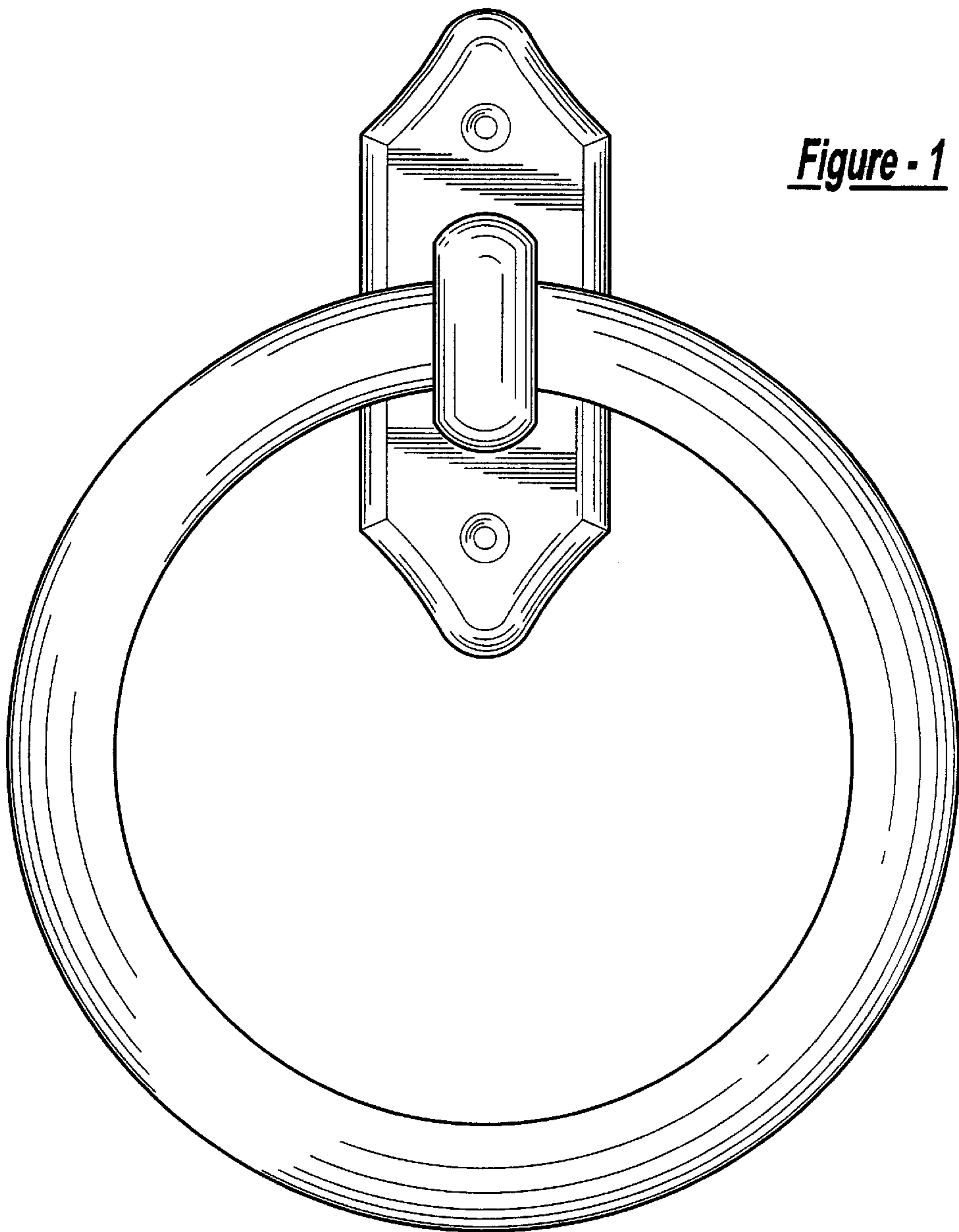


Figure - 2

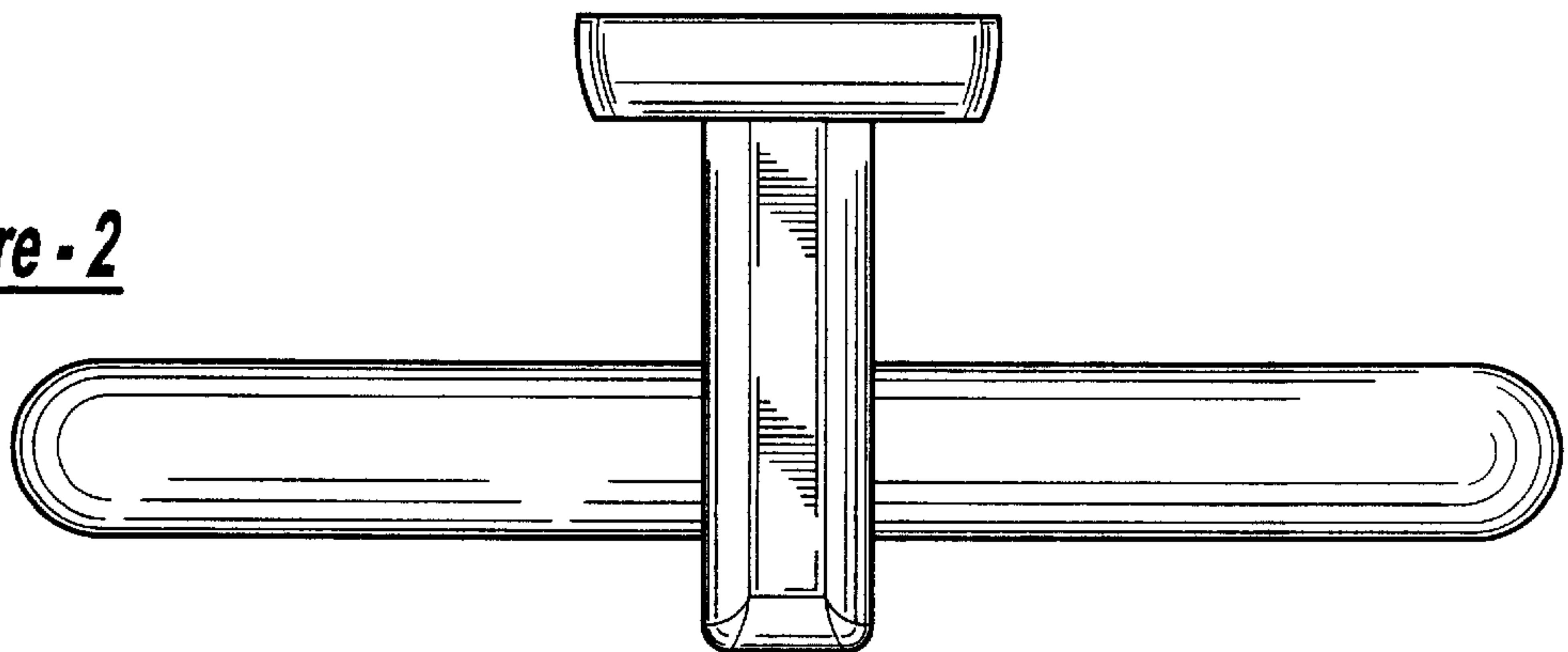


Figure - 3

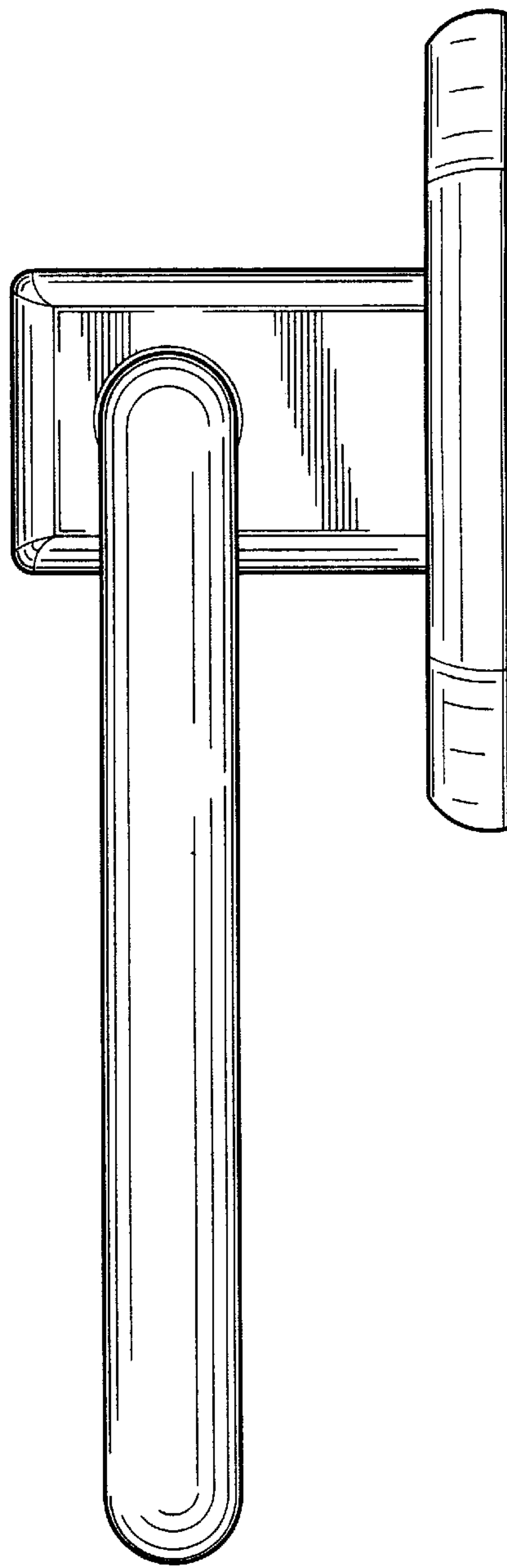
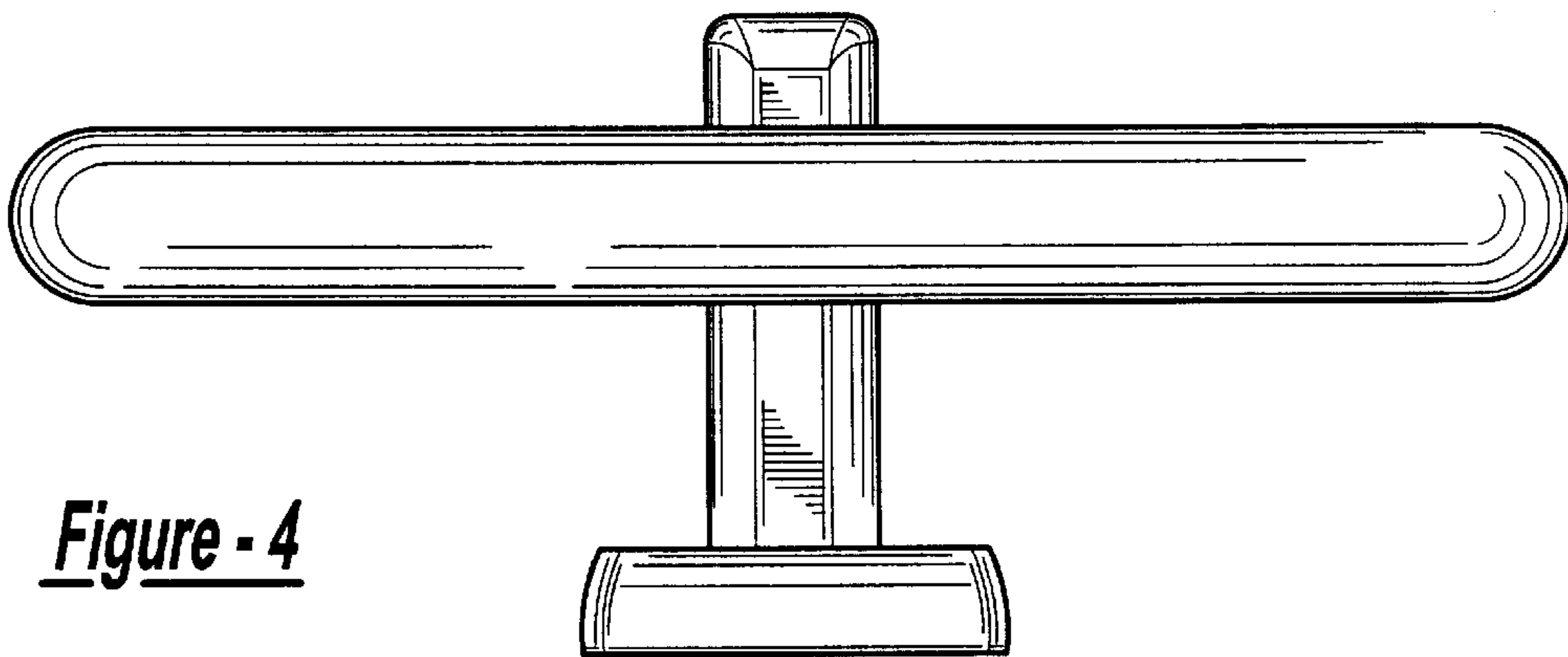


Figure - 4



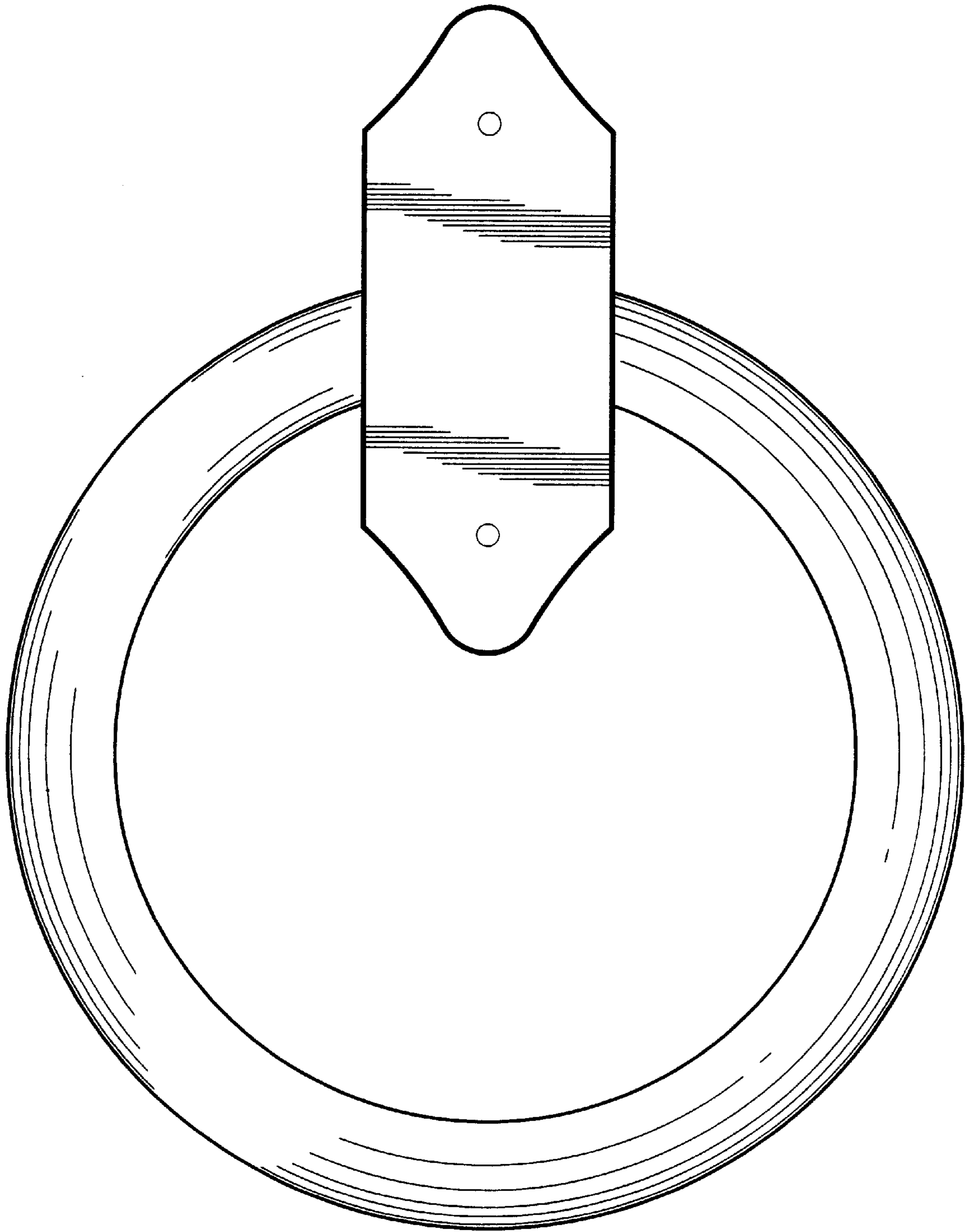


Figure - 5