



US00D441581S

(12) **United States Design Patent**
Andersson

(10) **Patent No.:** **US D441,581 S**

(45) **Date of Patent:** **** May 8, 2001**

(54) **SOAP DISPENSER**

(75) Inventor: **Jerker Andersson, Göteborg (SE)**

(73) Assignee: **SCA Hygiene Products AB,**
Gothenburg (SE)

(**) Term: **14 Years**

(21) Appl. No.: **29/130,164**

(22) Filed: **Sep. 29, 2000**

D. 350,665 9/1994 Ophardt .
D. 378,035 2/1997 Ophardt .
D. 386,027 11/1997 Cameron et al. .
D. 388,990 1/1998 Brandenburg et al. .

Primary Examiner—Brian N. Vinson
(74) *Attorney, Agent, or Firm*—Burns, Doane, Swecker & Mathis, L.L.P.

(57) **CLAIM**

The ornamental design for a soap dispenser, as shown and described.

Related U.S. Application Data

(62) Division of application No. 29/114,423, filed on Nov. 24, 1999.

(30) **Foreign Application Priority Data**

May 26, 1999 (SE) 99-0941
May 26, 1999 (SE) 99-0948

(51) **LOC (7) Cl.** **23-02**

(52) **U.S. Cl.** **D6/545**

(58) **Field of Search** D6/540-545; 222/105,
222/129, 173, 180, 181, 186; 221/282,
283

(56) **References Cited**

U.S. PATENT DOCUMENTS

D. 349,827 8/1994 Brandenburg .

DESCRIPTION

FIG. 1 is a front, side perspective view of a soap dispenser showing my new design;

FIG. 2 is a front side perspective view thereof, with the casing portion being shown in an open position;

FIG. 3 is a rear perspective view of the casing portion of the soap dispenser shown in FIG. 1, with the wall mounting portion and soap bottle being removed for clarity;

FIG. 4 is a perspective view of the soap bottle of the soap dispenser shown in FIG. 1;

FIG. 5 is a front perspective view of the wall mounting portion of the dispenser shown in FIG. 1, with the dispensing handle removed; and,

FIG. 6 is a rear perspective view thereof.

1 Claim, 3 Drawing Sheets

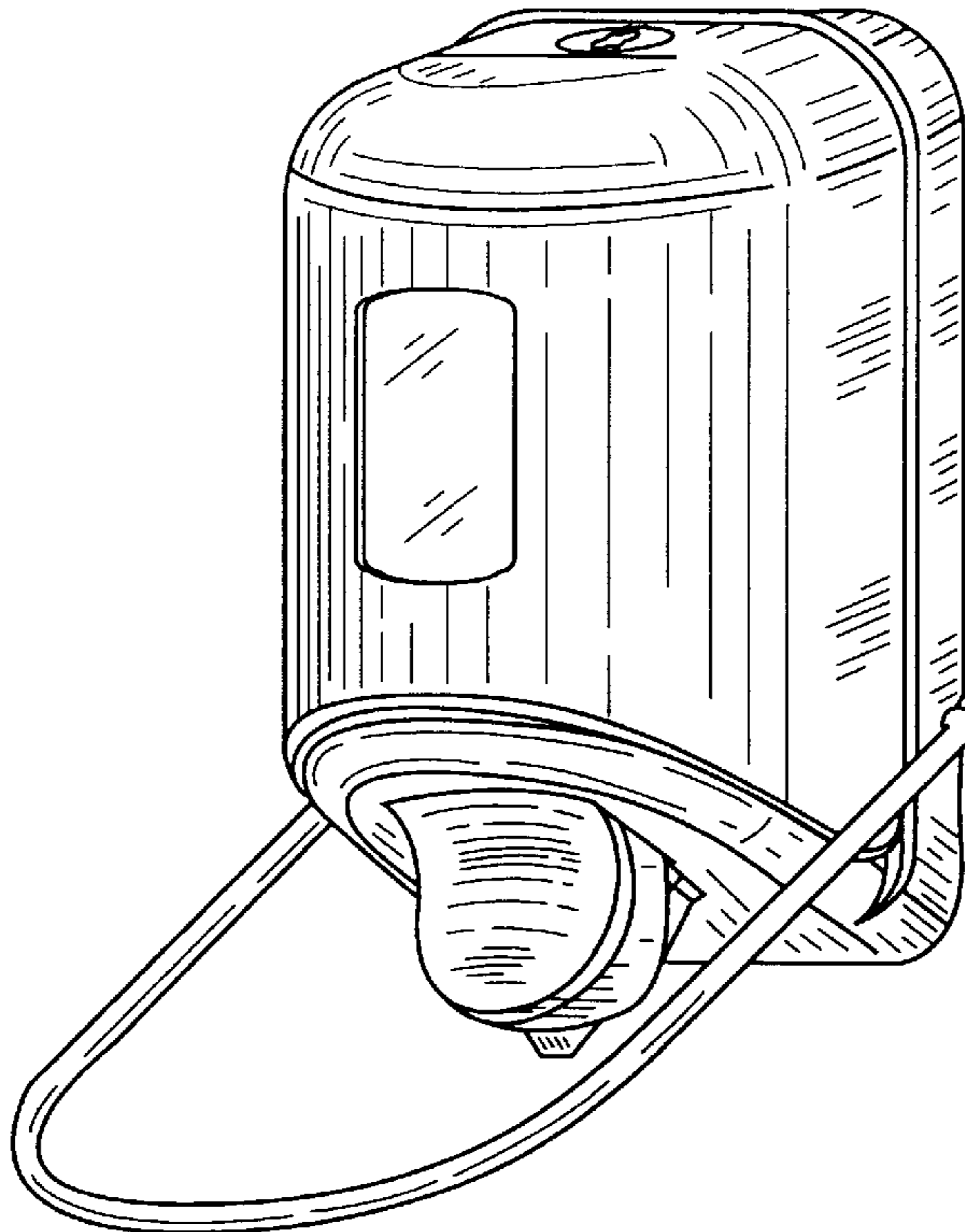


FIG. 1

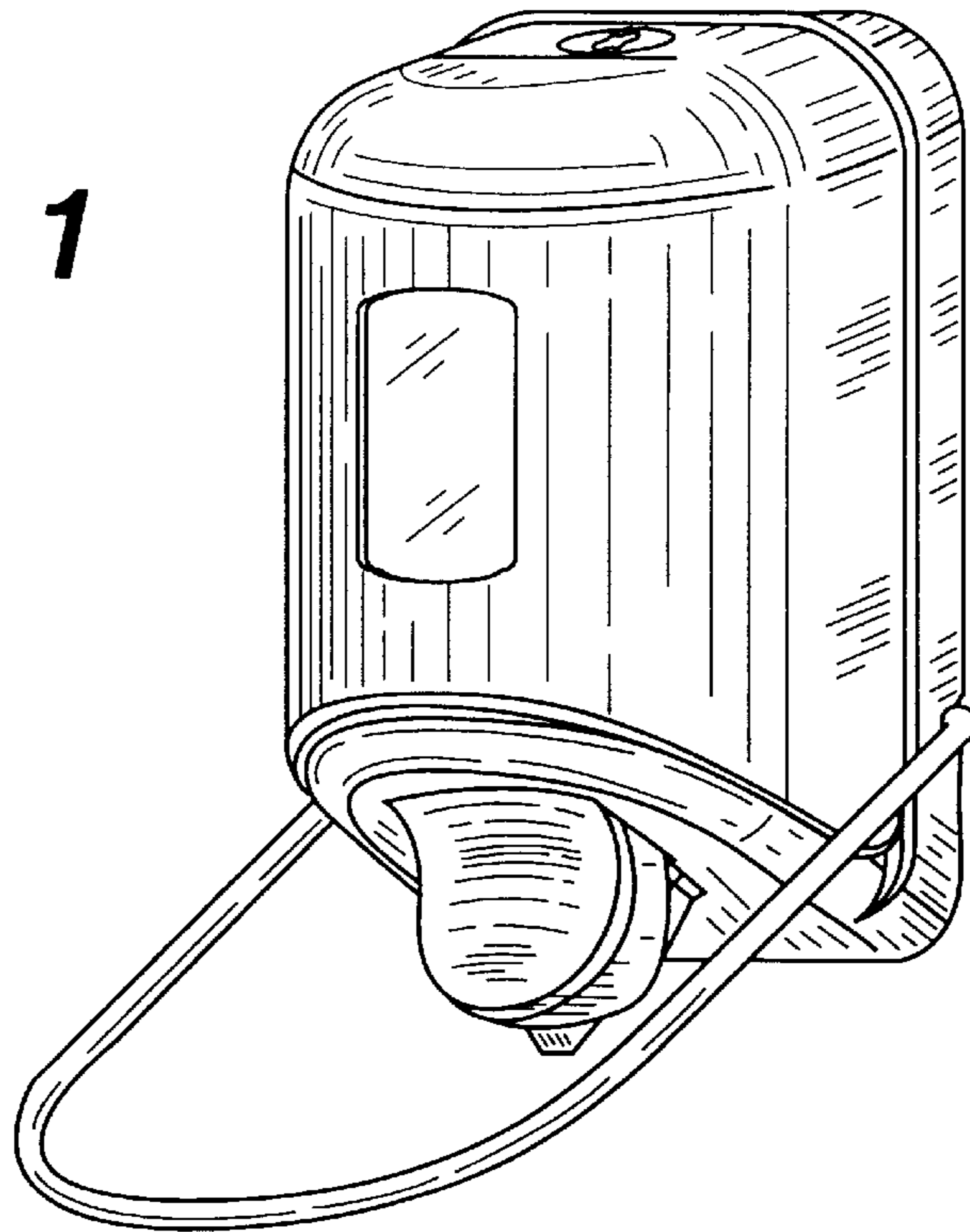
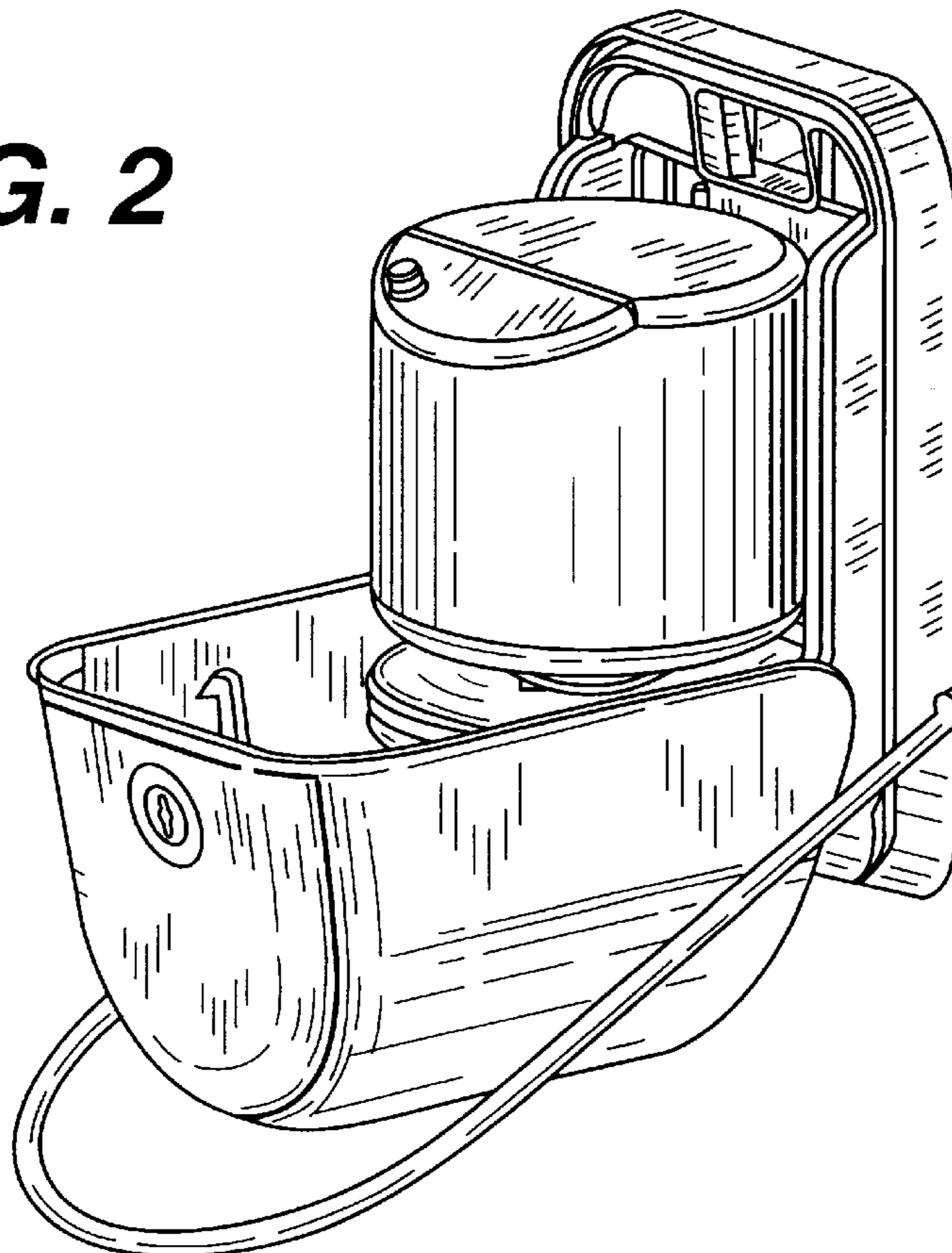


FIG. 2



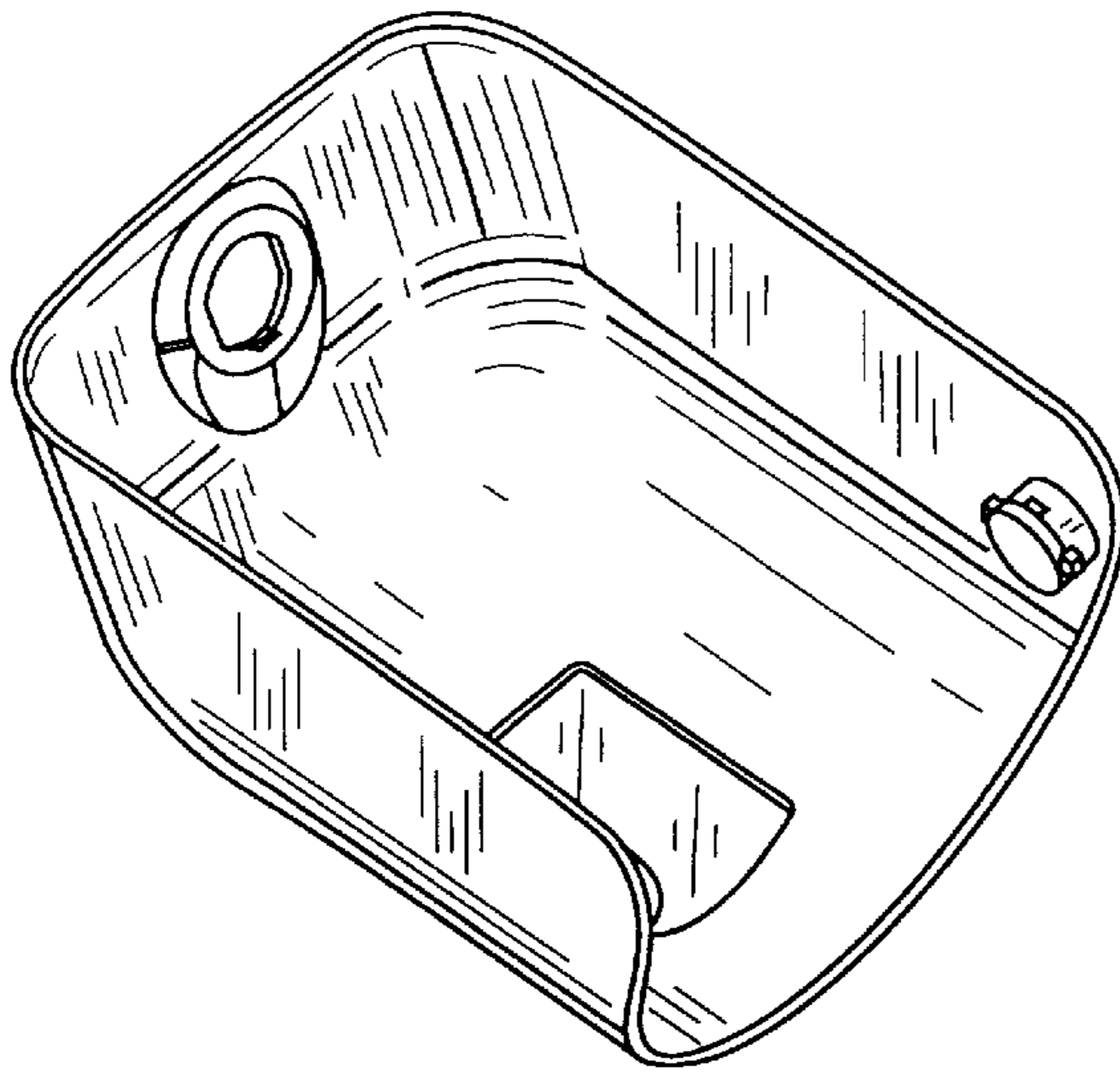


FIG. 3

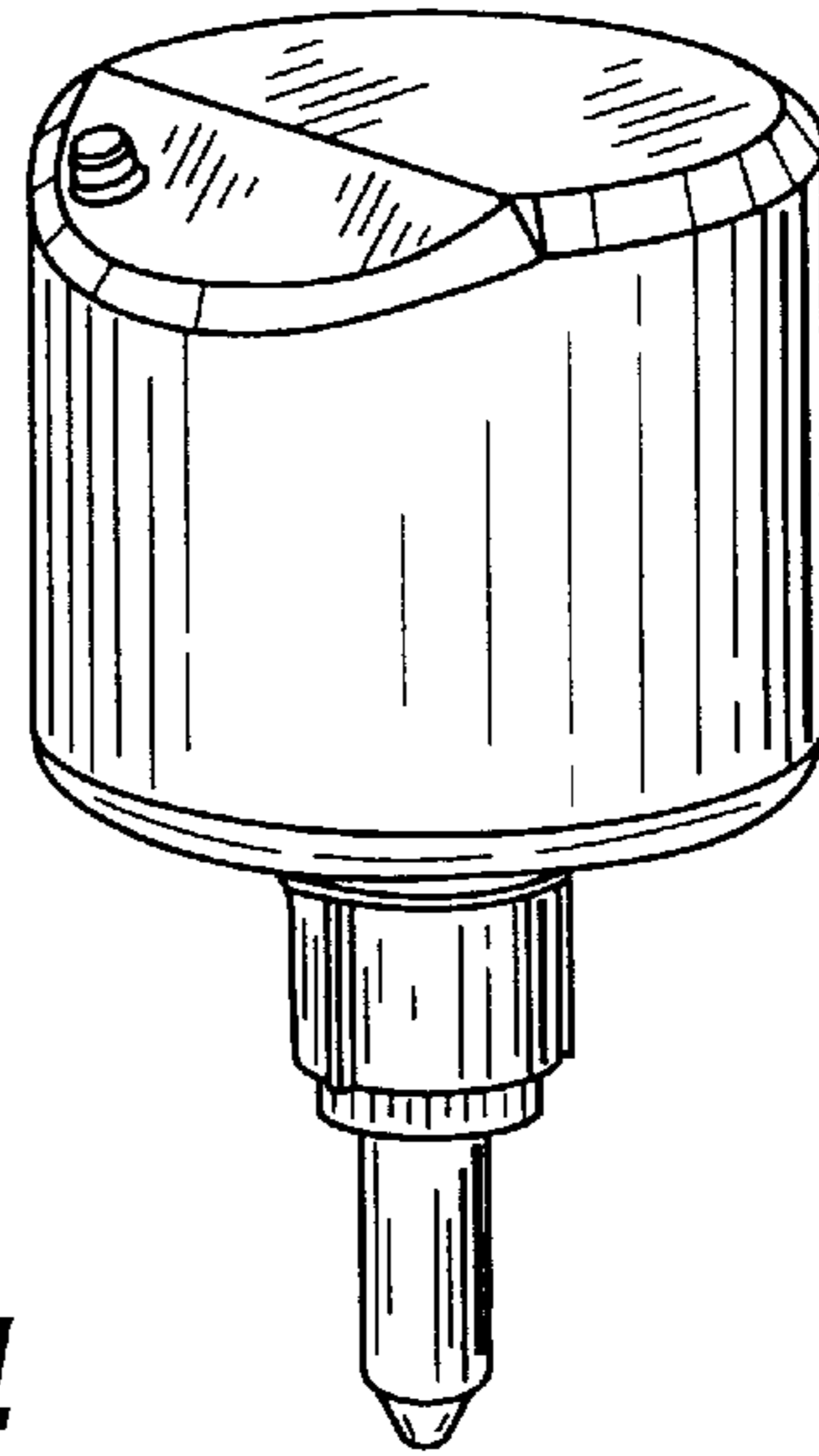


FIG. 4



FIG. 5

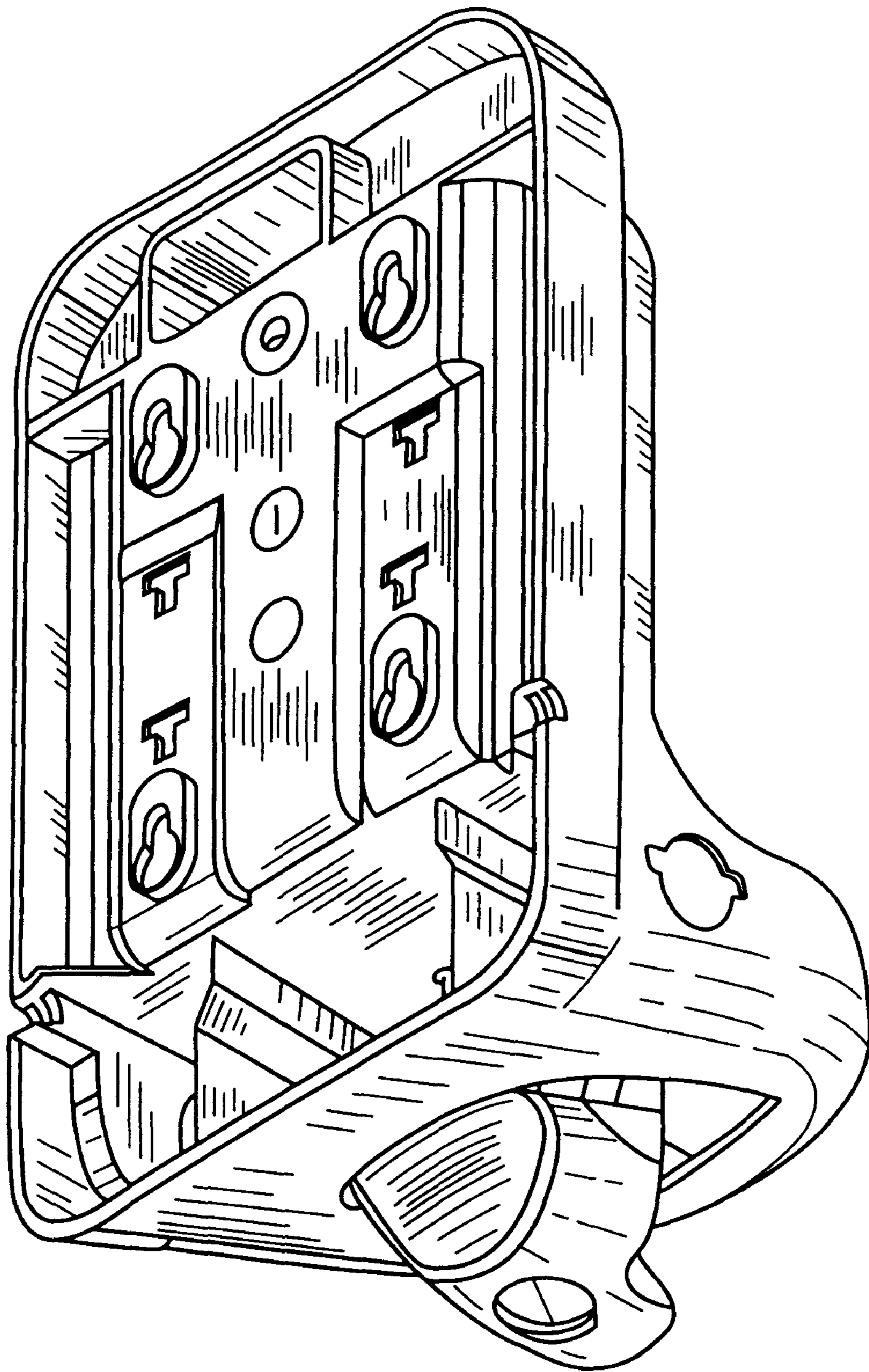


FIG. 6