



US00D441580S

(12) **United States Design Patent**
Moore

(10) **Patent No.:** **US D441,580 S**

(45) **Date of Patent:** **** May 8, 2001**

(54) **SOAP DISH**

D. 329,560 * 9/1992 Levien D6/524
D. 346,928 * 5/1994 Shames et al. D6/540

(75) Inventor: **Glenn David Moore**, Newfoundland,
NJ (US)

* cited by examiner

(73) Assignee: **Melard Manufacturing Corp.**, Passaic,
NJ (US)

Primary Examiner—Brian N. Vinson

(74) *Attorney, Agent, or Firm*—Edgar A. Zarins; Lloyd D.
Doigan

(**) Term: **14 Years**

(57) **CLAIM**

(21) Appl. No.: **29/122,691**

The ornamental design for a soap dish, as shown and
described.

(22) Filed: **May 2, 2000**

DESCRIPTION

(51) **LOC (7) Cl.** **23-02**

(52) **U.S. Cl.** **D6/540**

(58) **Field of Search** D6/536-540, 532,
D6/524; D27/102, 104; 248/309.1; 206/77.1;
211/13.1, 86.01, 88.01, 126.1, 126.5, 134

FIG. 1 is a front elevational view of a soap dish showing my
new design;

FIG. 2 is a top plan view thereof;

FIG. 3 is a left side view thereof, the opposite side being a
mirror image of the side shown;

FIG. 4 is a rear elevational view thereof;

FIG. 5 is a cross-sectional view taken along lines 5-5 of
FIG. 2; and,

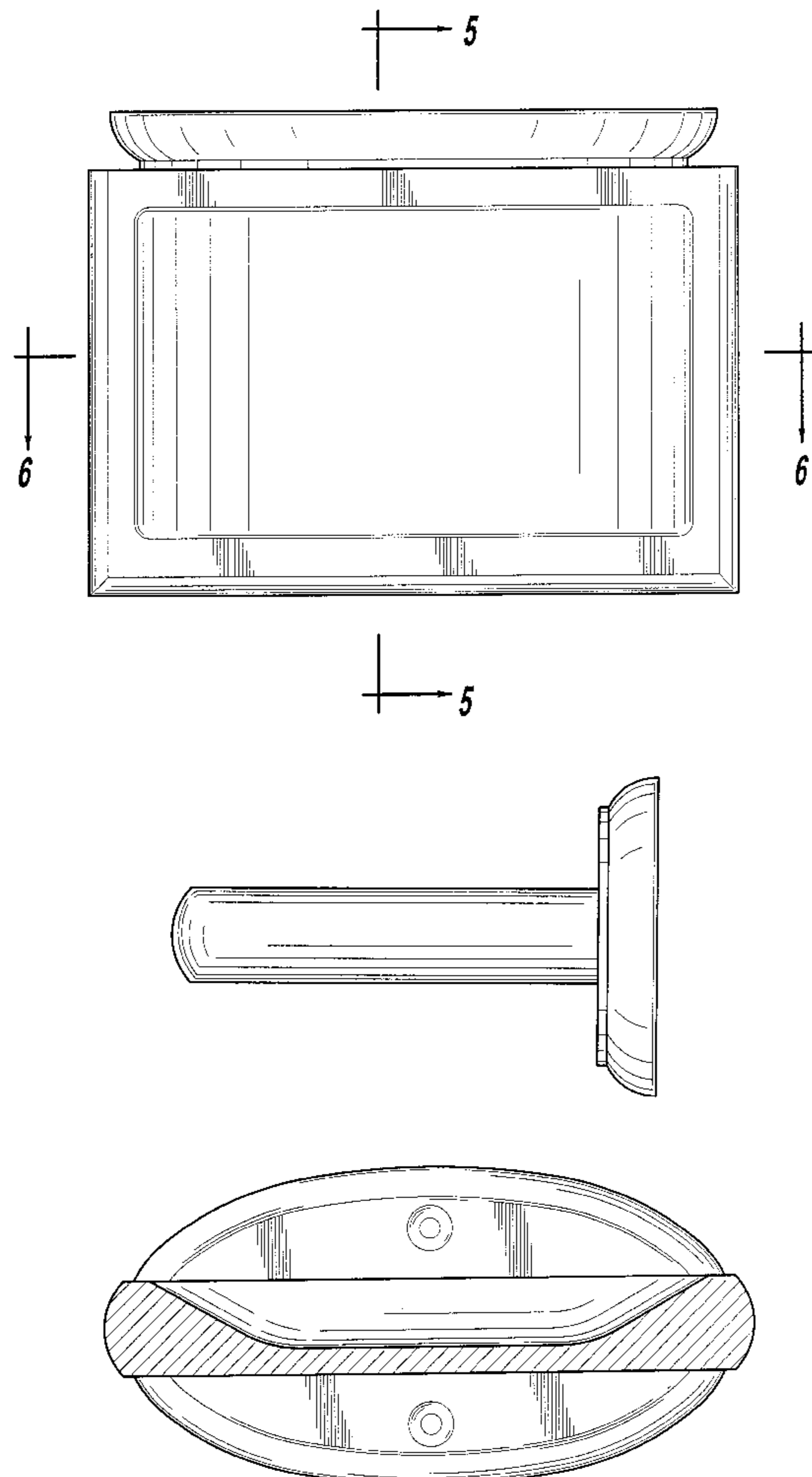
FIG. 6 is a cross-sectional view taken along lines 6-6 of
FIG. 2.

(56) **References Cited**

U.S. PATENT DOCUMENTS

D. 241,199 * 8/1976 Halsted et al. D6/540
D. 267,603 * 1/1983 Cohen D6/540
D. 314,485 * 2/1991 Chap et al. D6/540

1 Claim, 3 Drawing Sheets



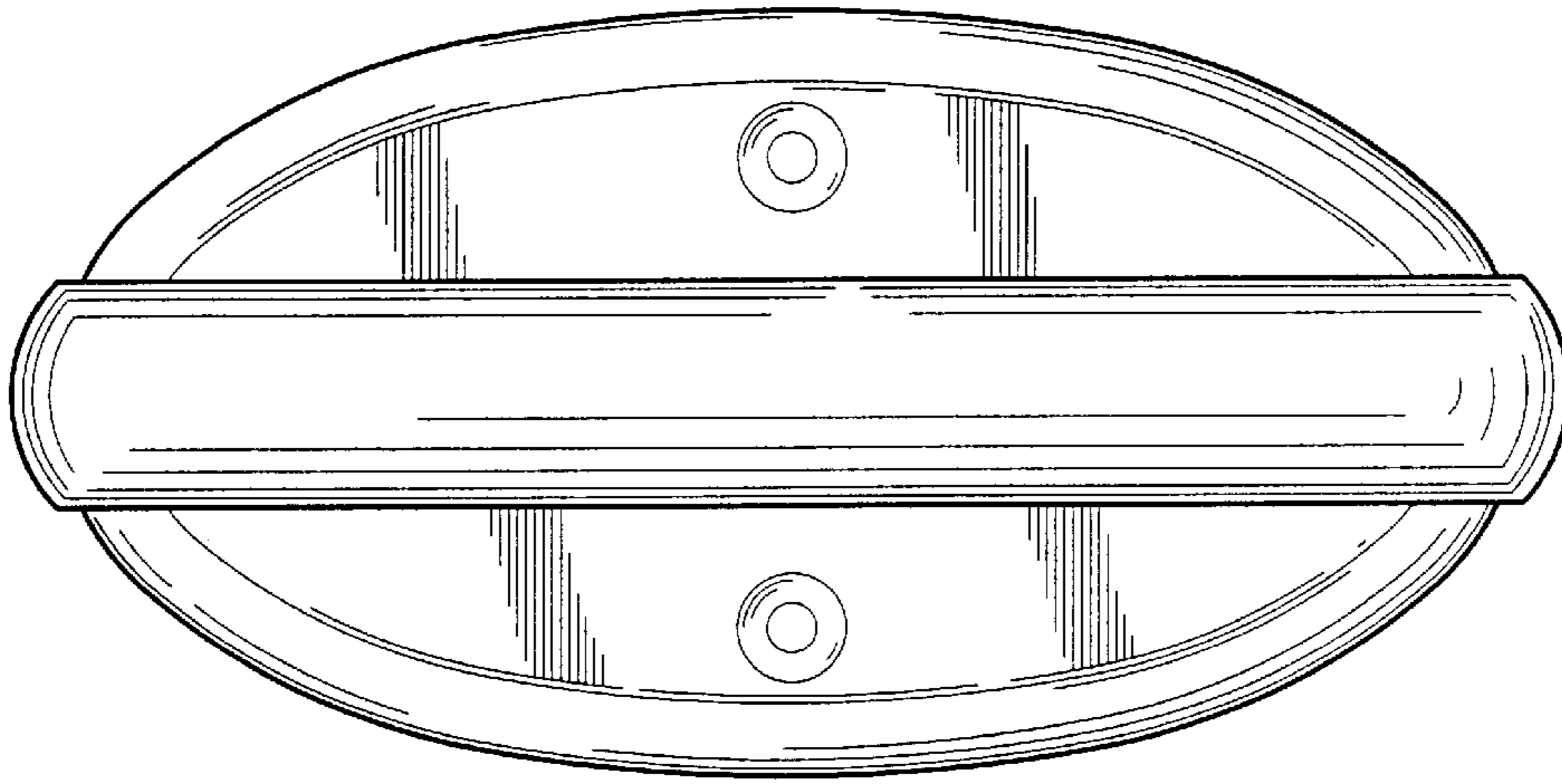


Figure - 1

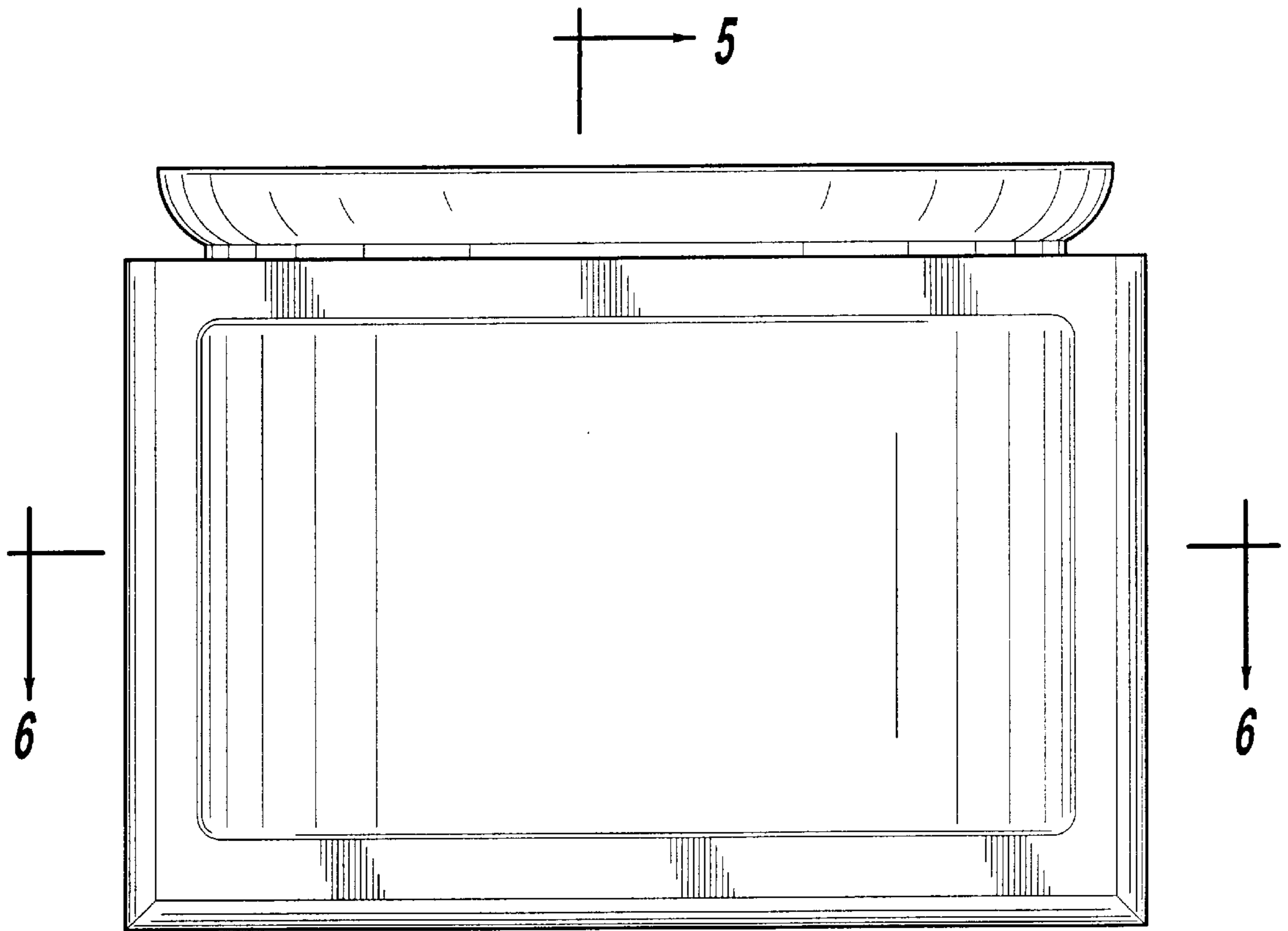


Figure - 2

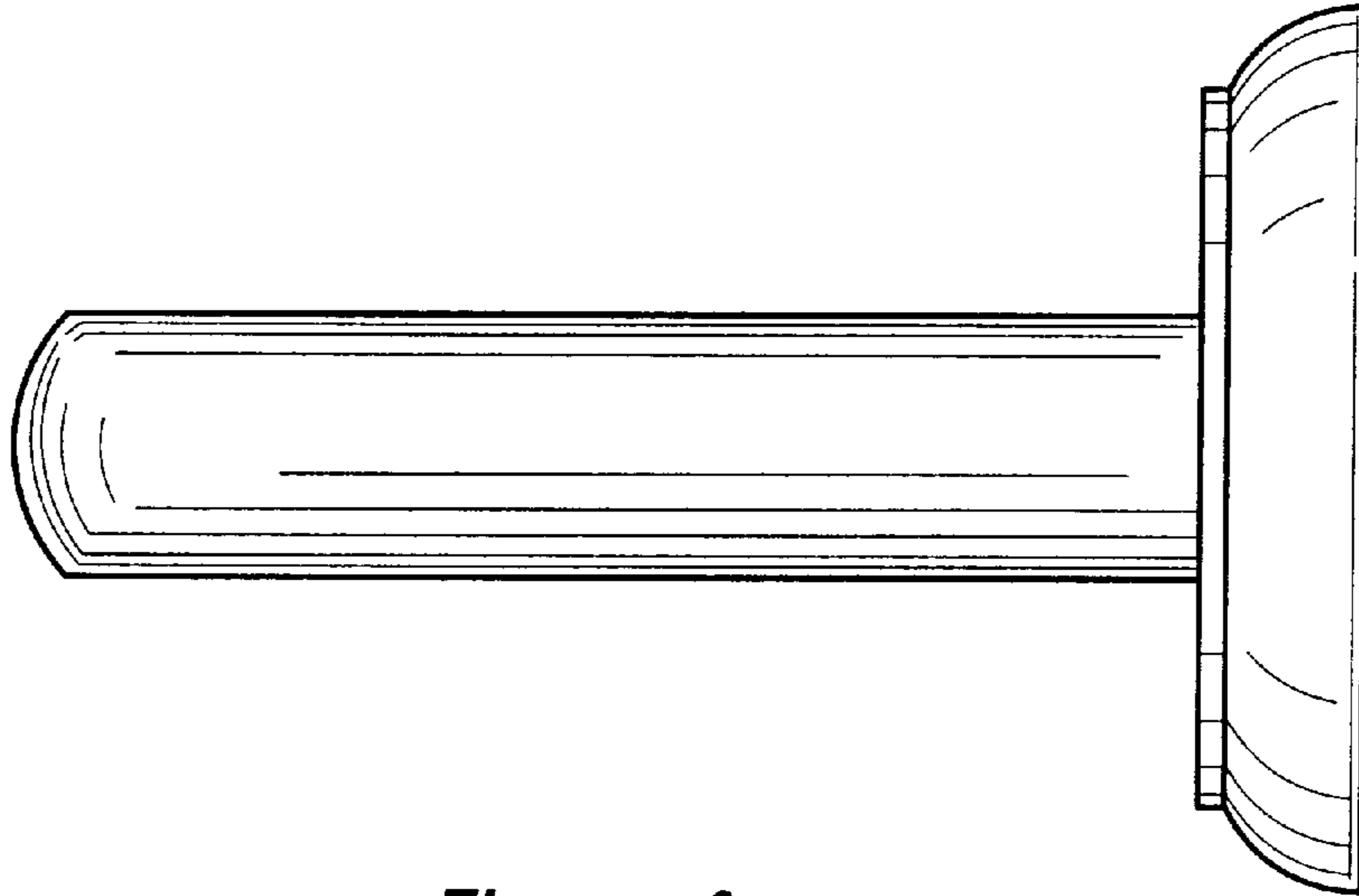


Figure - 3

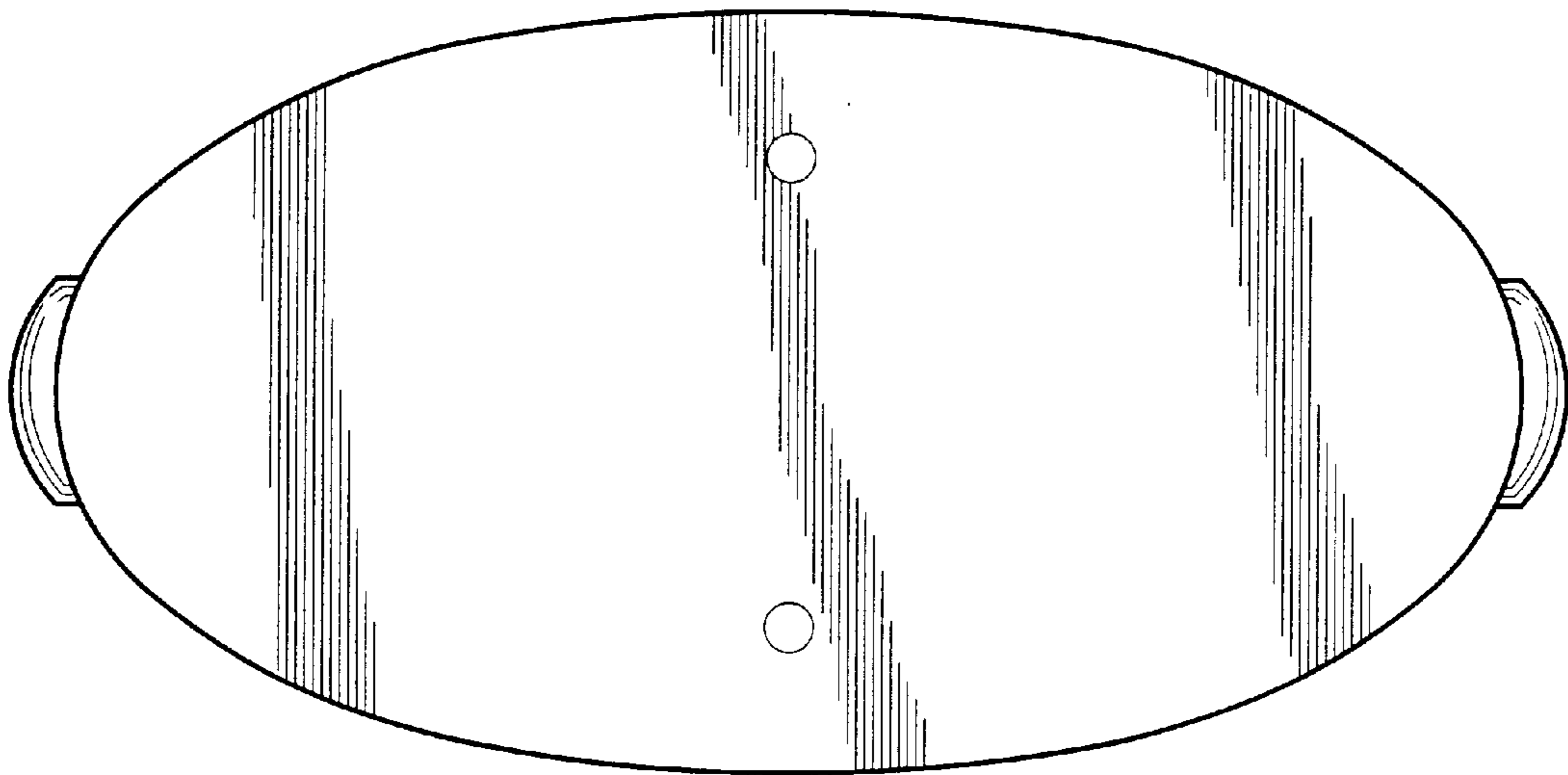


Figure - 4

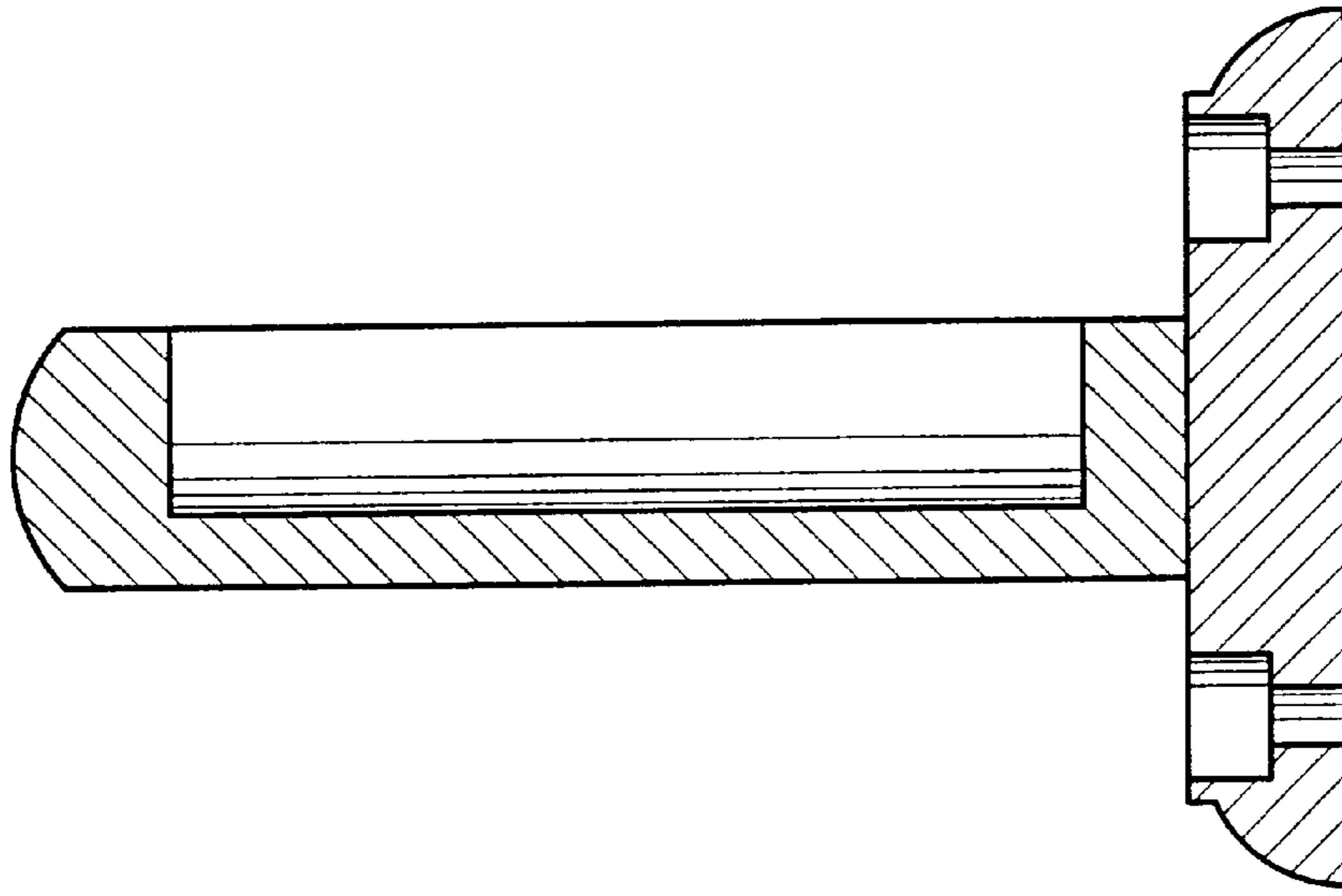


Figure - 5

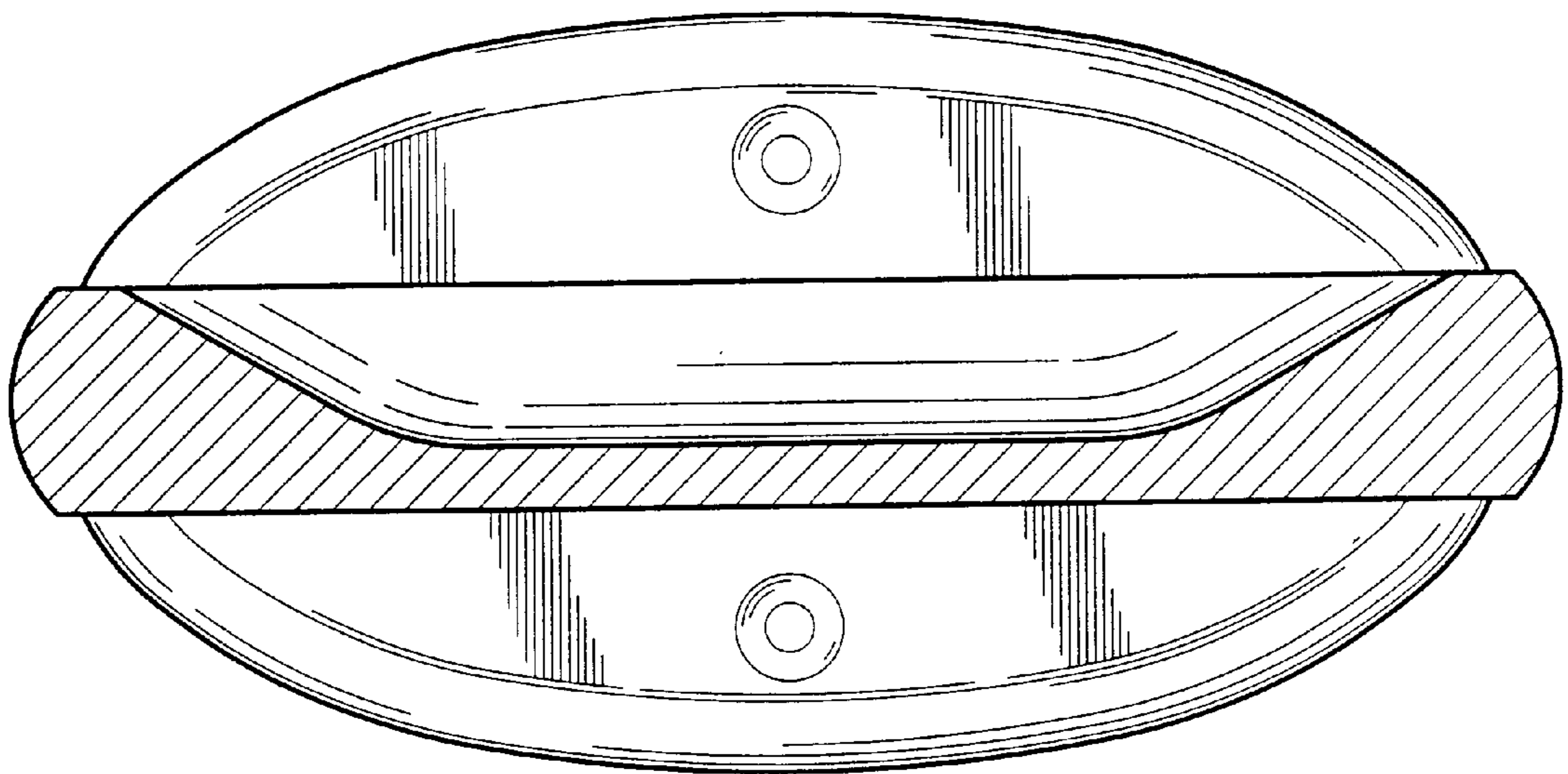


Figure - 6