



US00D441579S

(12) **United States Design Patent**
Moore

(10) **Patent No.:** **US D441,579 S**

(45) **Date of Patent:** **** May 8, 2001**

(54) **TOOTHBRUSH-TUMBLER HOLDER**

(75) **Inventor:** **Glenn David Moore**, Newfoundland,
NJ (US)

(73) **Assignee:** **Melard Manufacturing Corp.**, Passaic,
NJ (US)

(**) **Term:** **14 Years**

(21) **Appl. No.:** **29/122,681**

(22) **Filed:** **May 2, 2000**

(51) **LOC (7) Cl.** **23-02**

(52) **U.S. Cl.** **D6/531**

(58) **Field of Search** D6/534-540, 528-529,
D6/531, 524; 248/309.1; 206/77.1; 211/13.1,
86.01, 88.01, 126.1, 134

(56) **References Cited**

U.S. PATENT DOCUMENTS

D. 157,147 * 2/1950 Hallenscheid D6/535

D. 291,519 * 8/1987 Chap D6/531

D. 347,346 * 5/1994 Shames et al. D6/531

D. 417,992 * 12/1999 Roth et al. D6/531

* cited by examiner

Primary Examiner—Brian N. Vinson

(74) *Attorney, Agent, or Firm*—Edgar A. Zarins; Lloyd D. Doigan

(57) **CLAIM**

The ornamental design for a toothbrush-tumbler holder, as shown and described.

DESCRIPTION

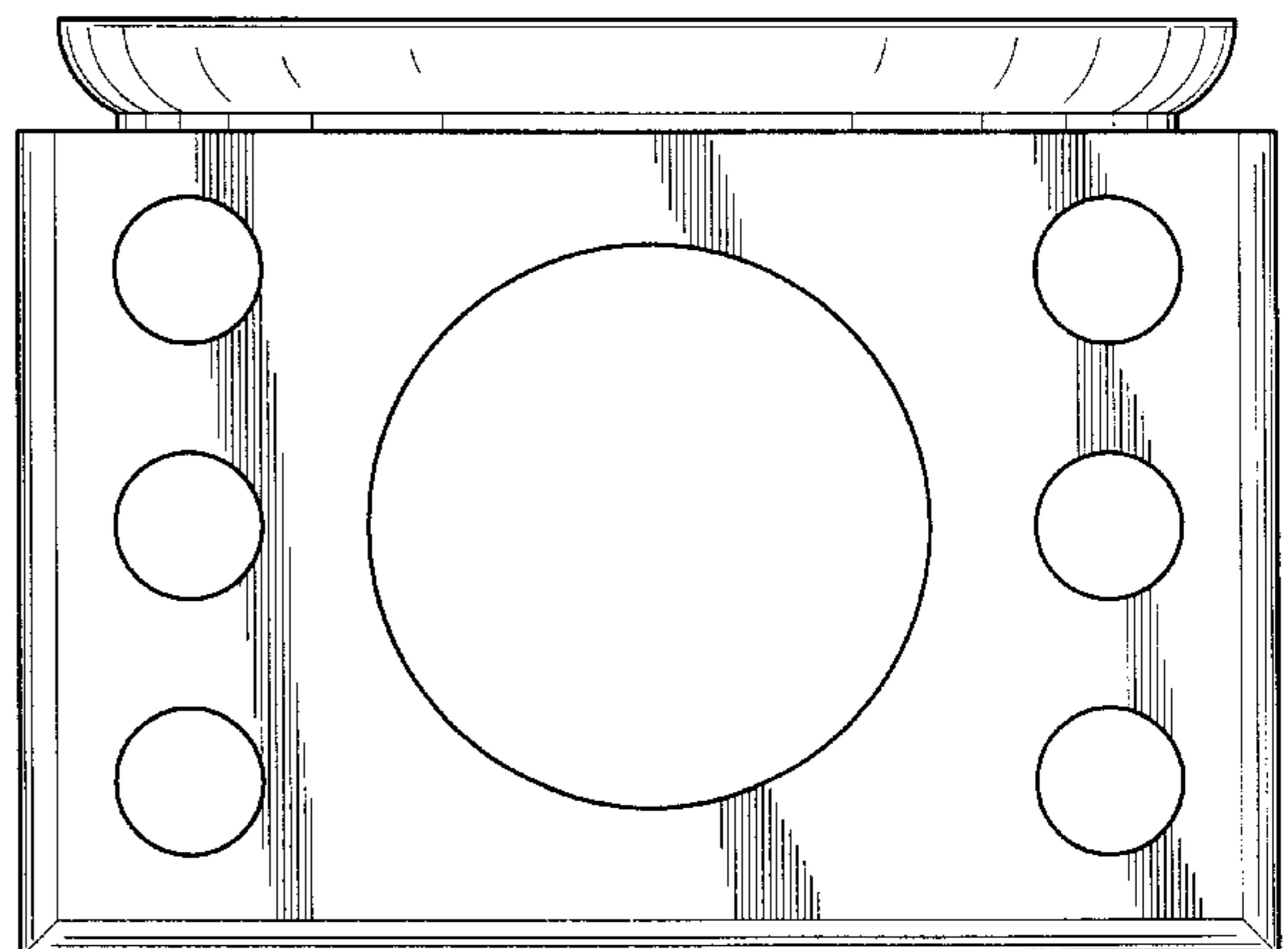
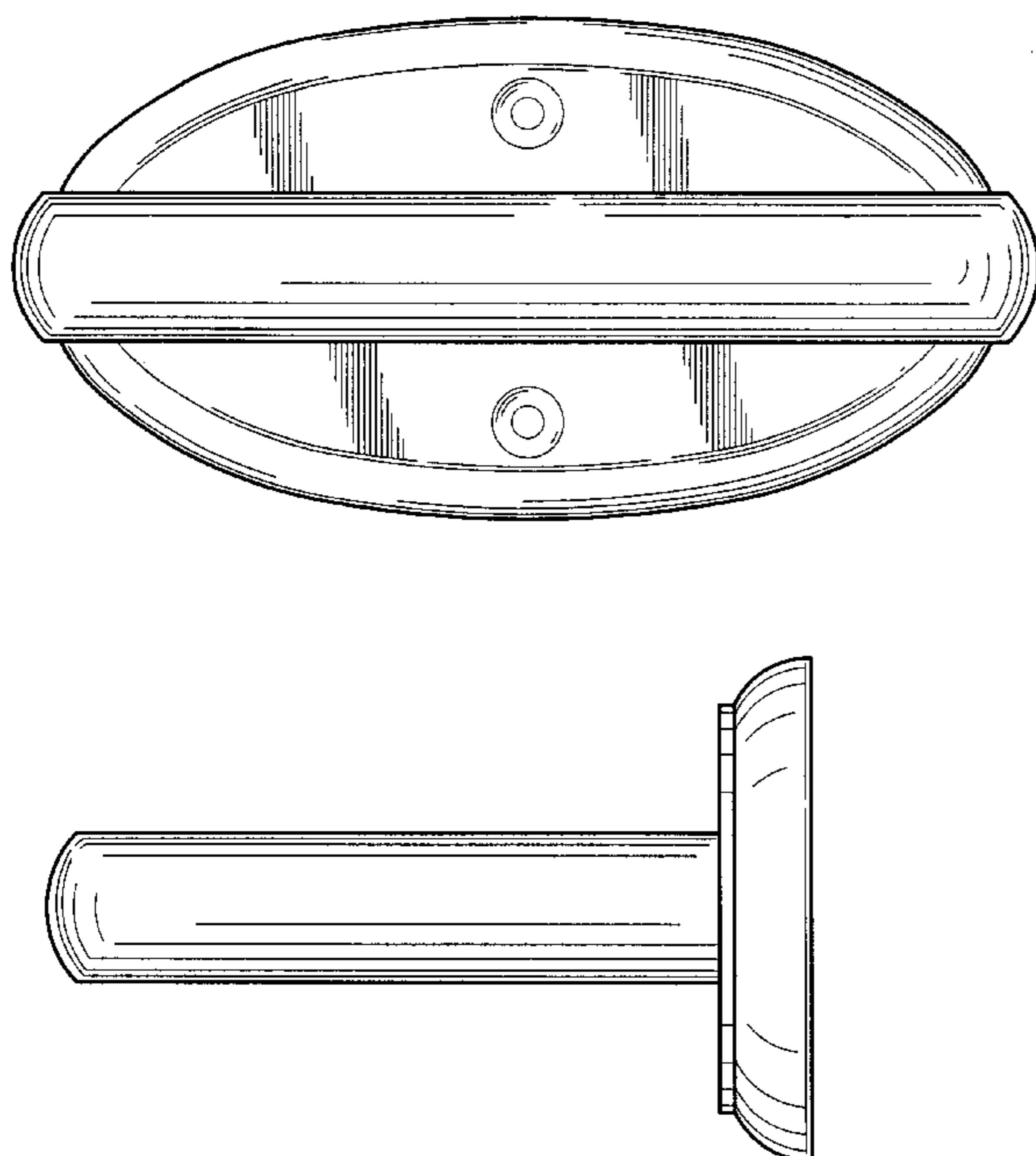
FIG. 1 is a front elevational view of a toothbrush-tumbler holder showing my new design;

FIG. 2 is a top plan view thereof;

FIG. 3 is a left side view thereof, the opposite side being a mirror image of the side shown; and,

FIG. 4 is a rear elevational view thereof.

1 Claim, 2 Drawing Sheets



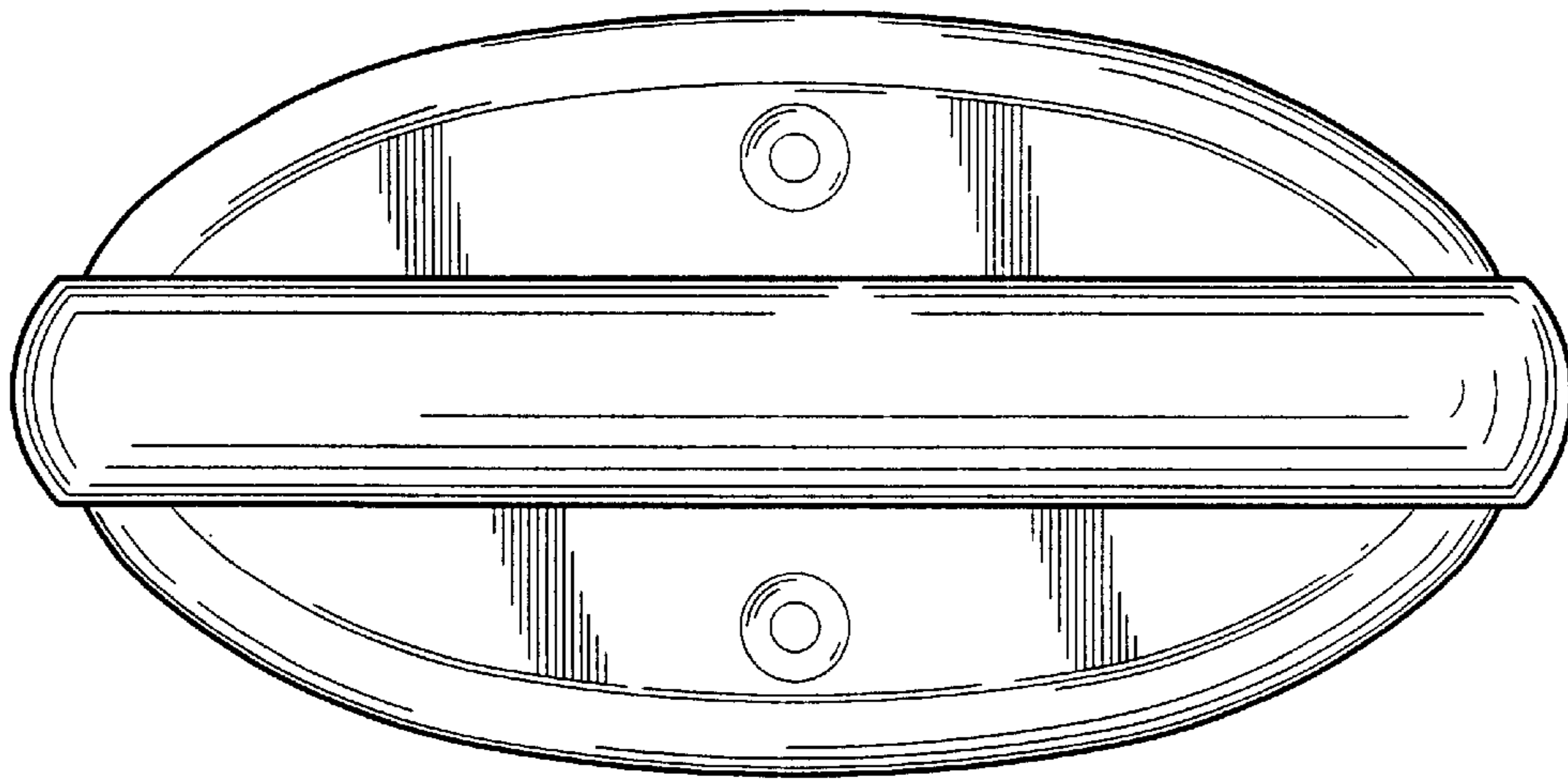


Figure - 1

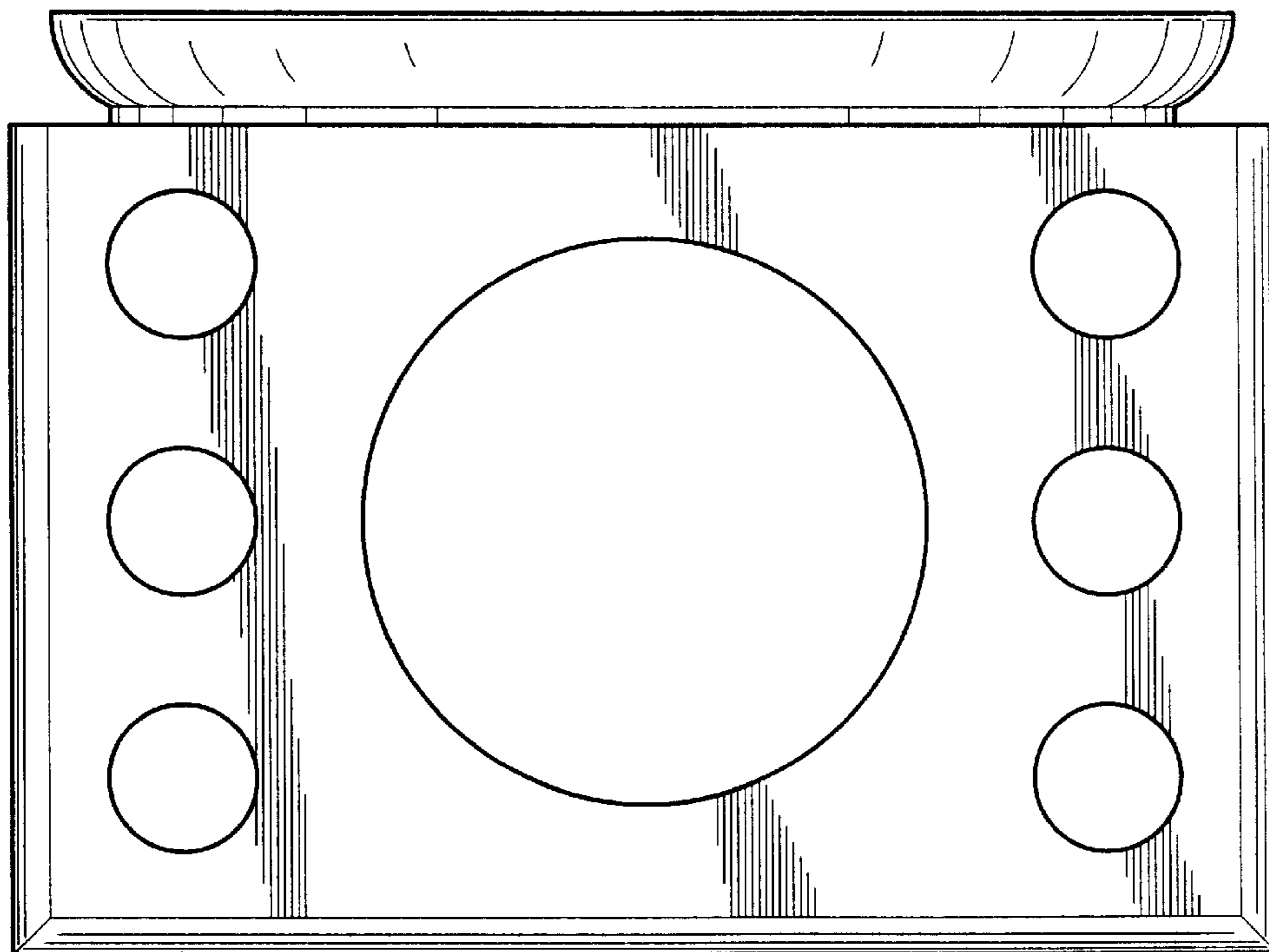


Figure - 2

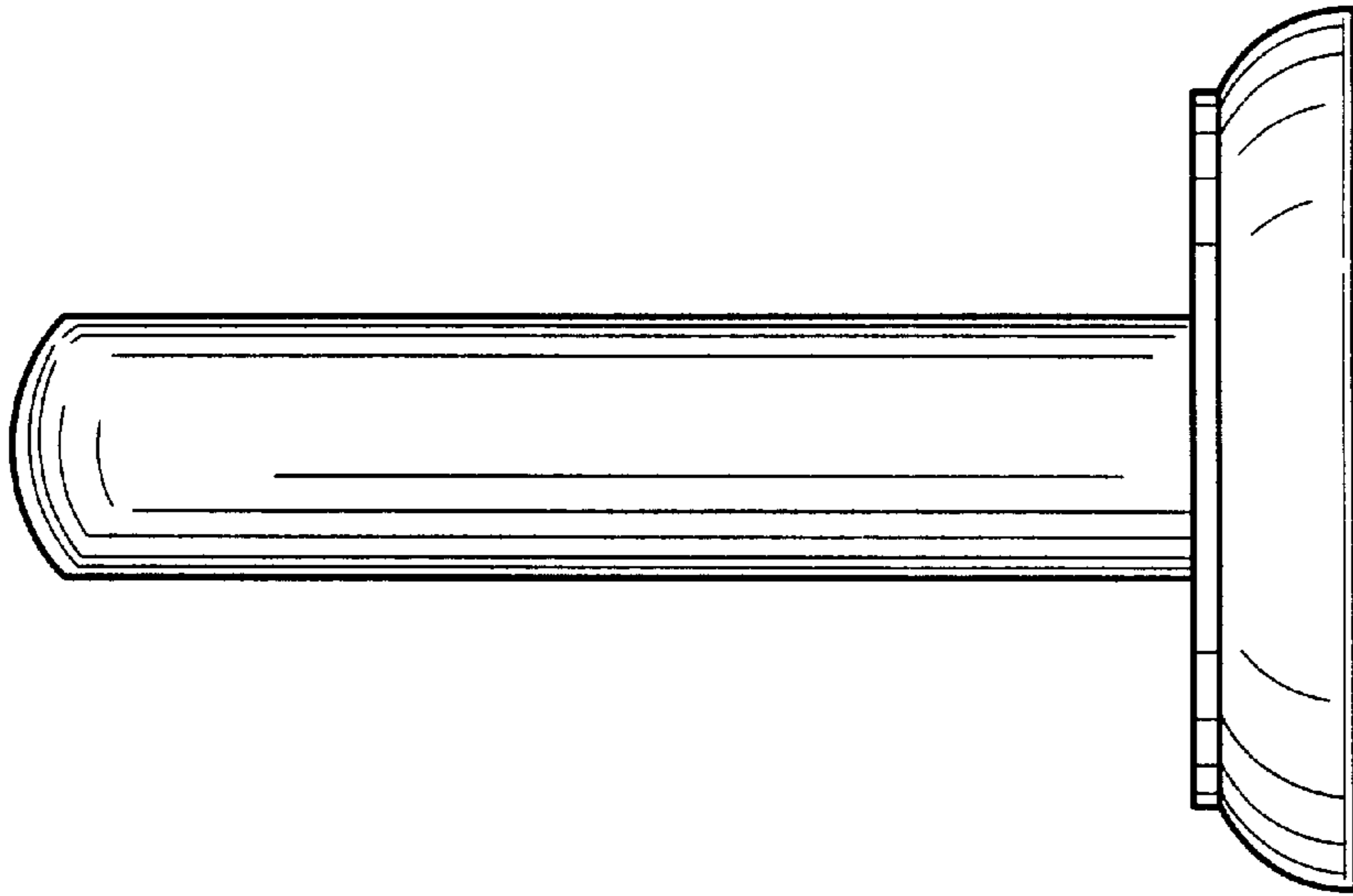


Figure - 3

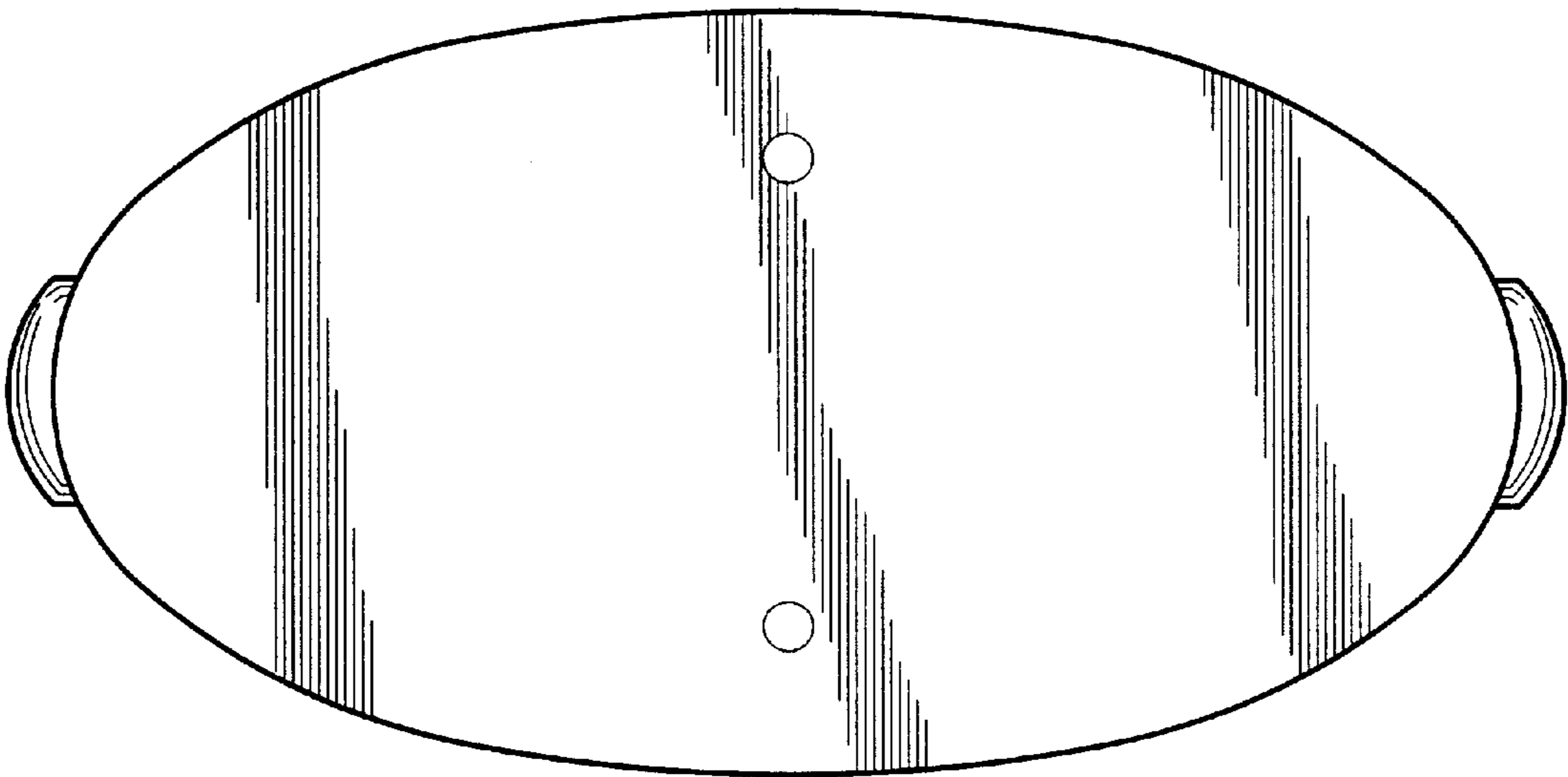


Figure - 4