



US00D441578S

(12) **United States Design Patent**  
**Andersson**

(10) **Patent No.:** **US D441,578 S**

(45) **Date of Patent:** **\*\* May 8, 2001**

(54) **PAPER DISPENSER**

(75) Inventor: **Jerker Andersson, Göteborg (SE)**

(73) Assignee: **SCA Hygiene Products AB,**  
**Gothenburg (SE)**

(\*\*) Term: **14 Years**

(21) Appl. No.: **29/130,139**

(22) Filed: **Sep. 29, 2000**

**Related U.S. Application Data**

(62) Division of application No. 29/114,420, filed on Jan. 24, 1999.

(30) **Foreign Application Priority Data**

May 26, 1999 (SE) ..... 99-0940  
May 26, 1999 (SE) ..... 99-0946

(51) **LOC (7) Cl.** ..... **20-02**

(52) **U.S. Cl.** ..... **D6/518; D6/522**

(58) **Field of Search** ..... D6/515, 518, 522,  
D6/523; 206/389, 824; 221/26, 33, 282,  
283; 242/570; 312/34.1, 34.4, 34.8

(56) **References Cited**

**U.S. PATENT DOCUMENTS**

D. 310,759 9/1990 Breger .  
D. 316,788 5/1991 Fischer et al. .  
D. 346,519 5/1994 Krueger et al. .

D. 373,277 9/1996 Giugiaro .  
D. 385,445 10/1997 Arbak et al. .  
D. 398,797 9/1998 Brandenburg et al. .  
D. 416,725 11/1999 Lewis .  
D. 426,412 6/2000 Cameron .  
5,772,291 6/1998 Byrd et al. .  
5,868,275 2/1999 Moody .

*Primary Examiner*—Brian N. Vinson

(74) *Attorney, Agent, or Firm*—Burns, Doane, Swecker & Mathis, L.L.P.

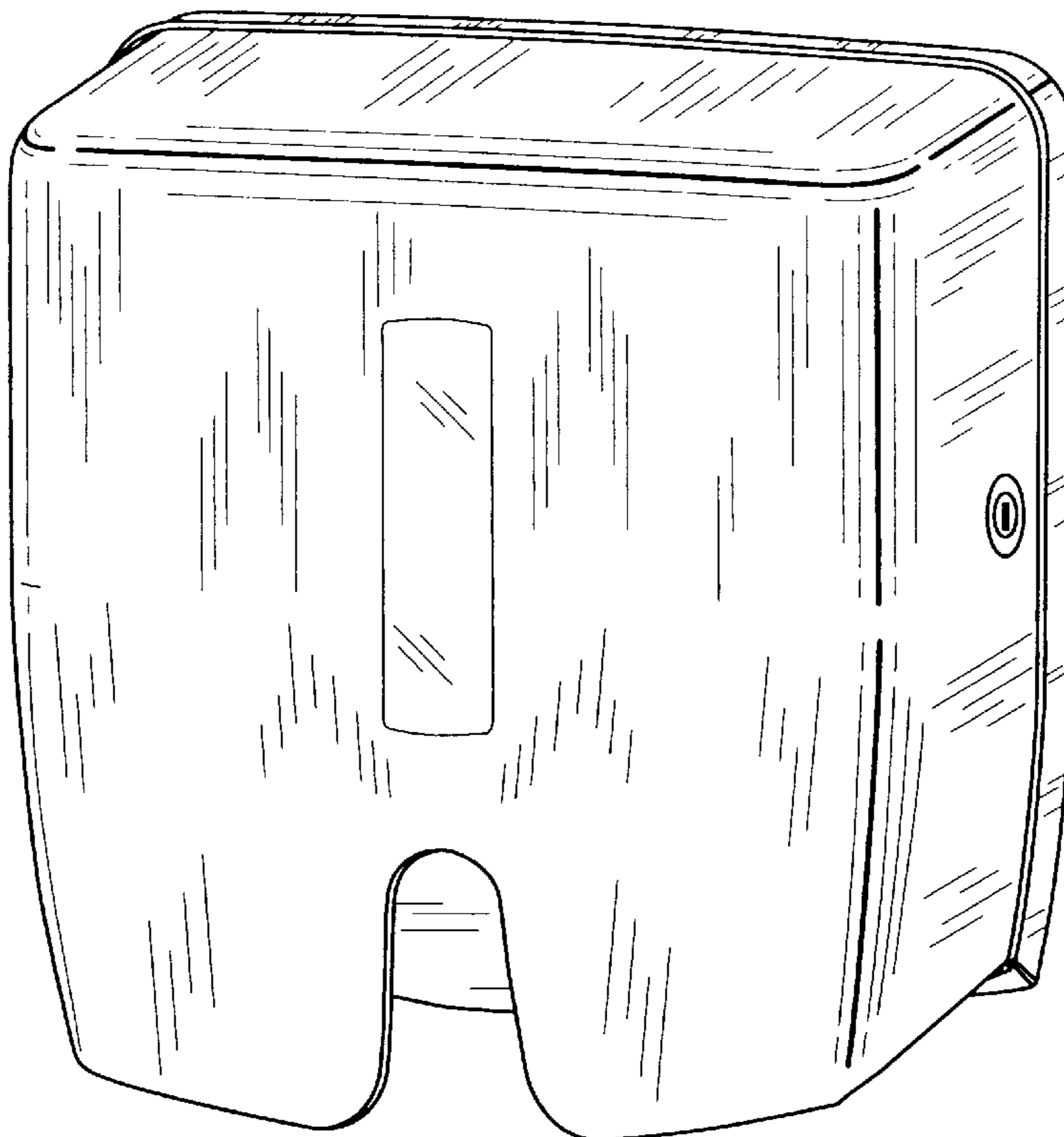
(57) **CLAIM**

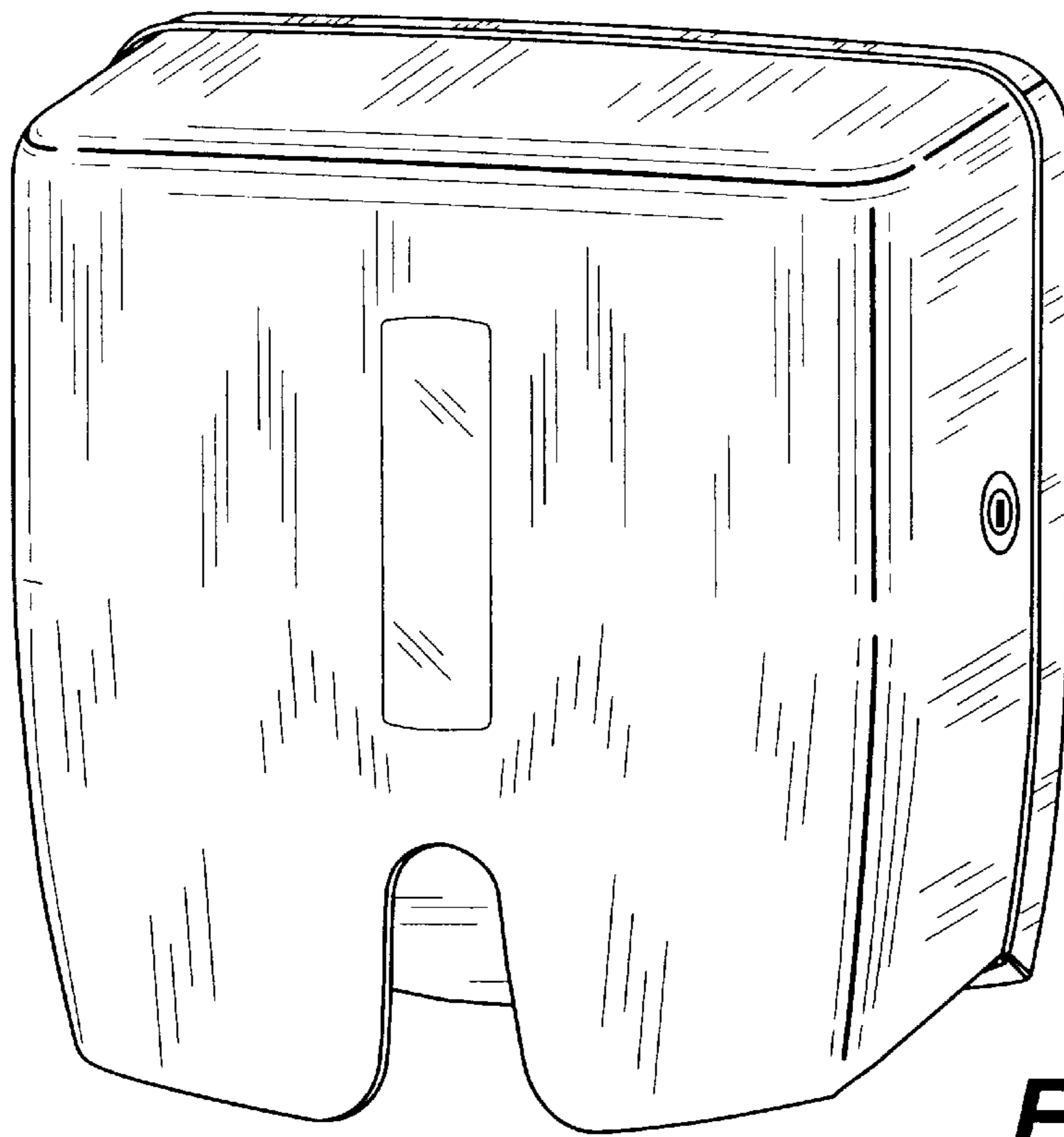
The ornamental design for a paper dispenser, as shown and described.

**DESCRIPTION**

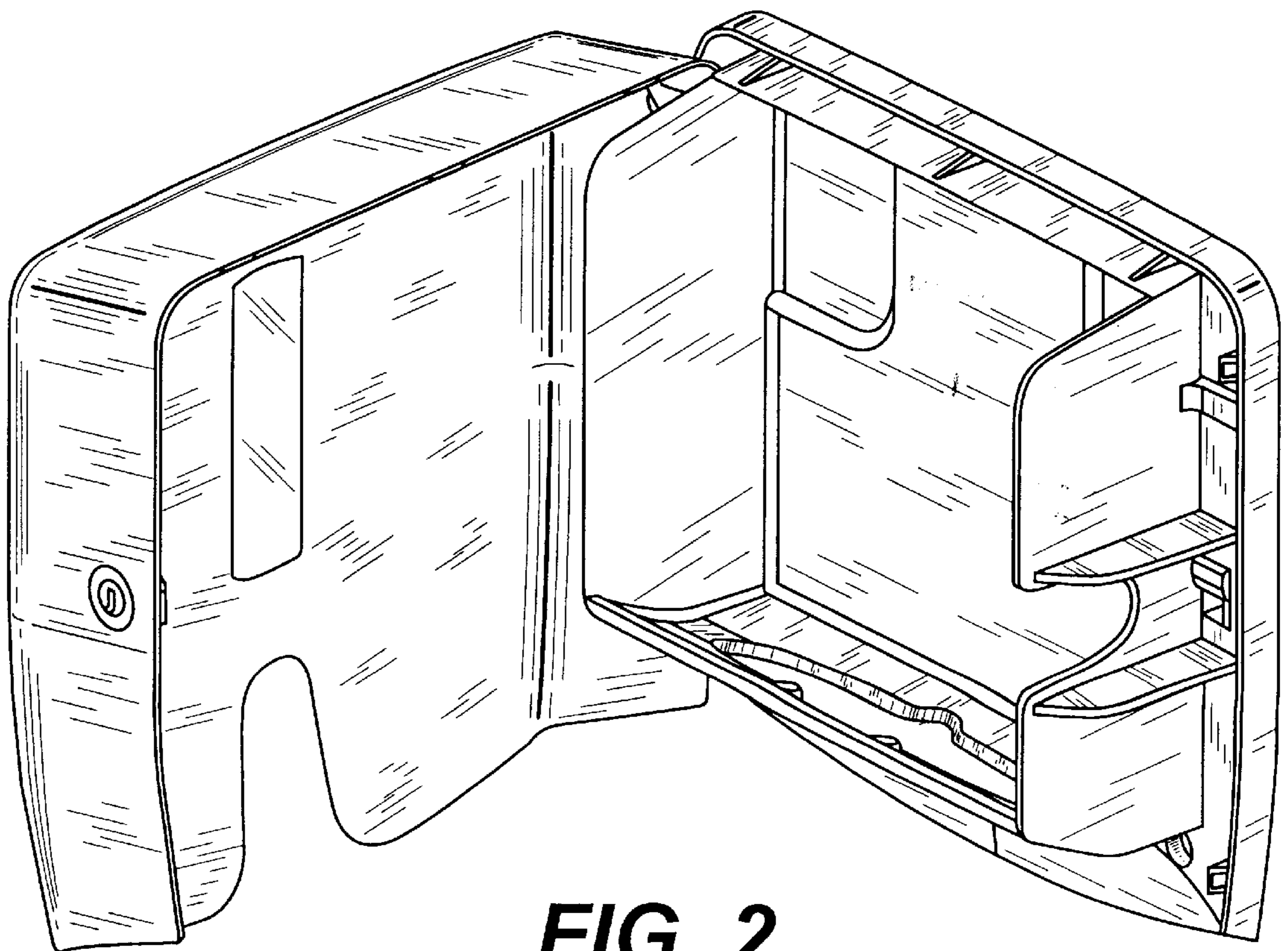
FIG. 1 is a front, side perspective view of a paper dispenser showing my new design;  
FIG. 2 is a front, side perspective view thereof, with the casing portion being shown in an open position;  
FIG. 3 is a rear perspective view of the casing portion of the paper dispenser shown in FIG. 1, with the wall mounting portion being removed for clarity;  
FIG. 4 is a front, side perspective view of the wall mounting portion of the paper dispenser shown in FIG. 1, with the casing portion being removed for clarity;  
FIG. 5 is a top perspective view thereof;  
FIG. 6 is a rear perspective view thereof; and,  
FIG. 7 is a bottom perspective view thereof.

**1 Claim, 4 Drawing Sheets**

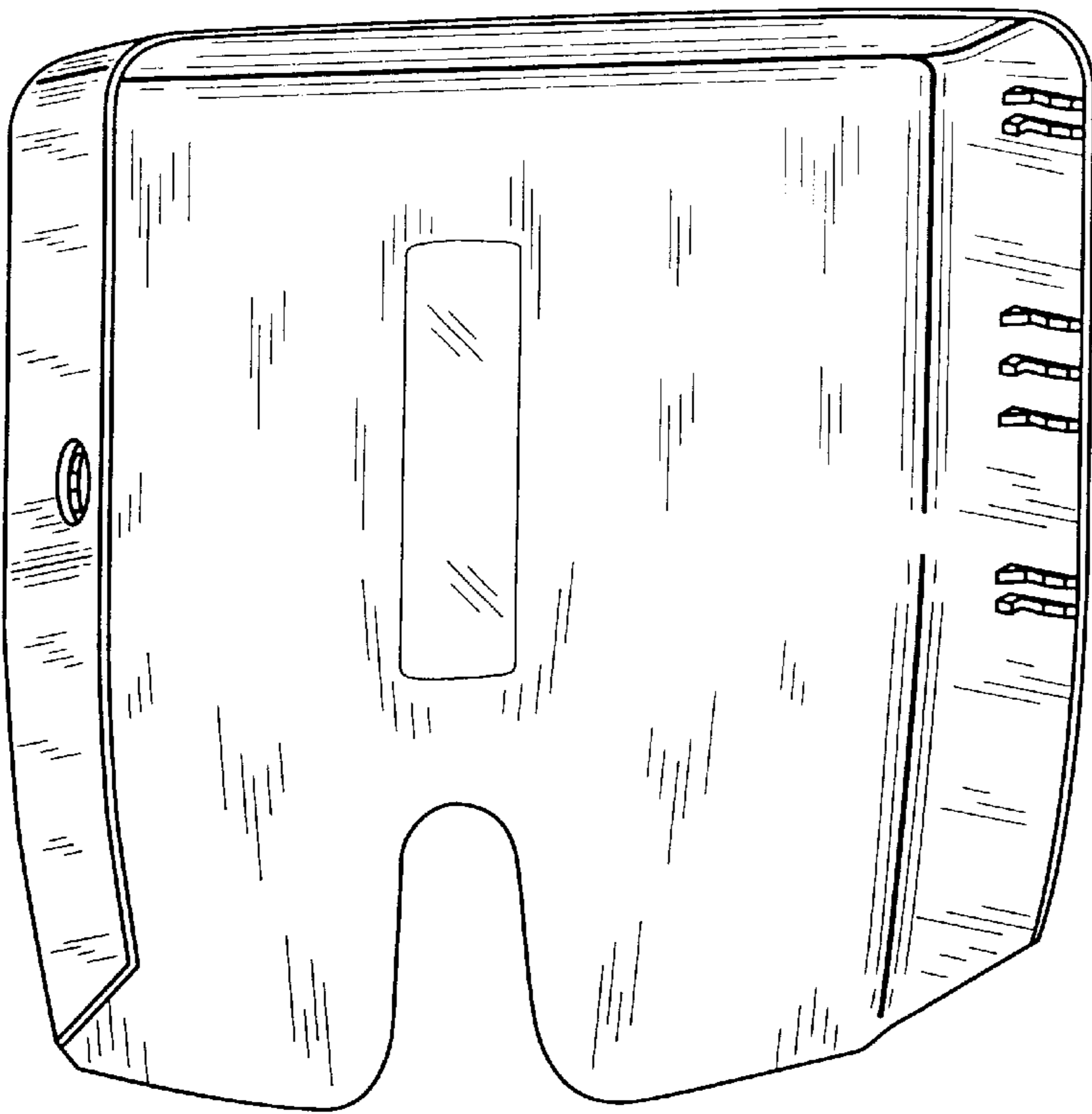




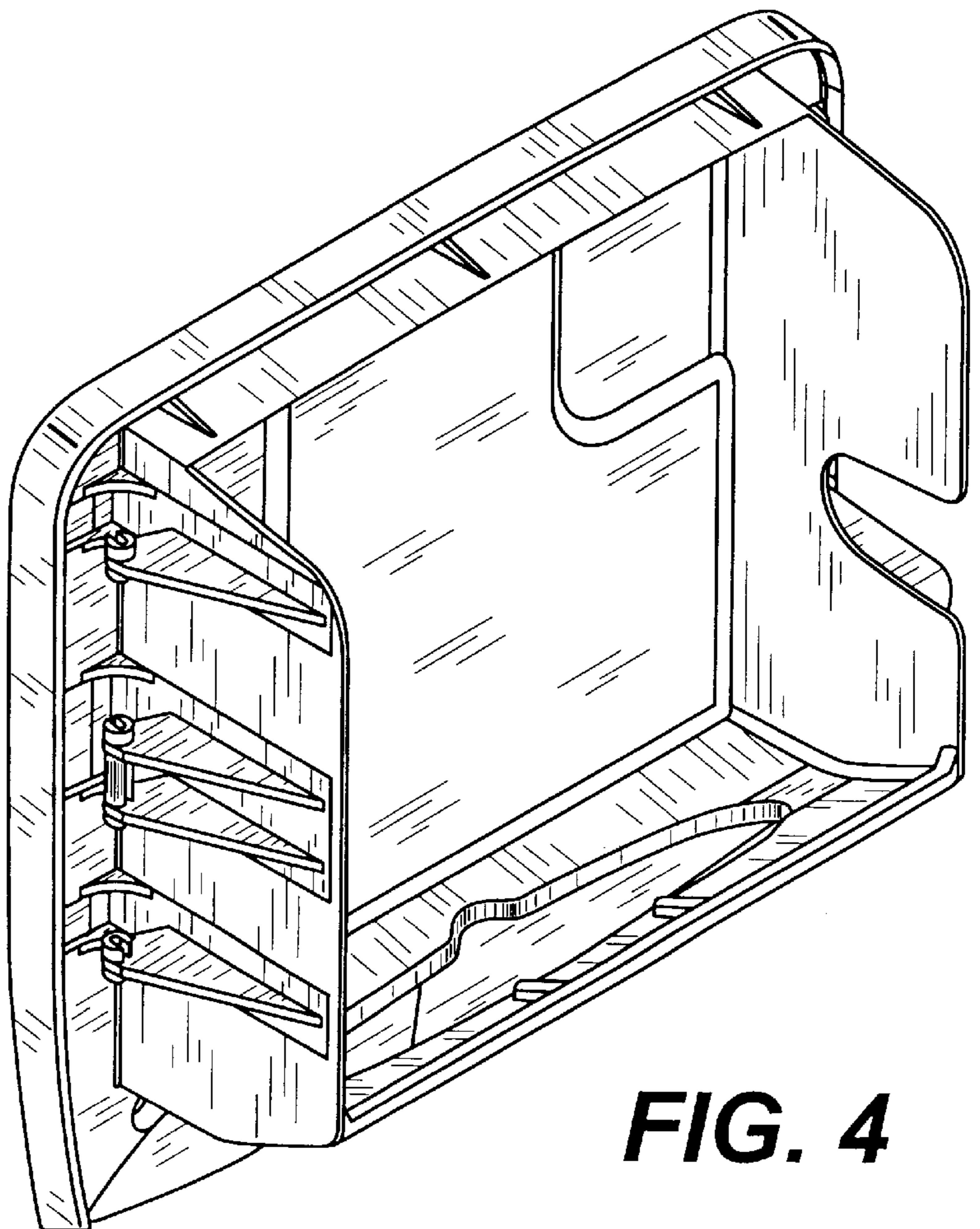
**FIG. 1**



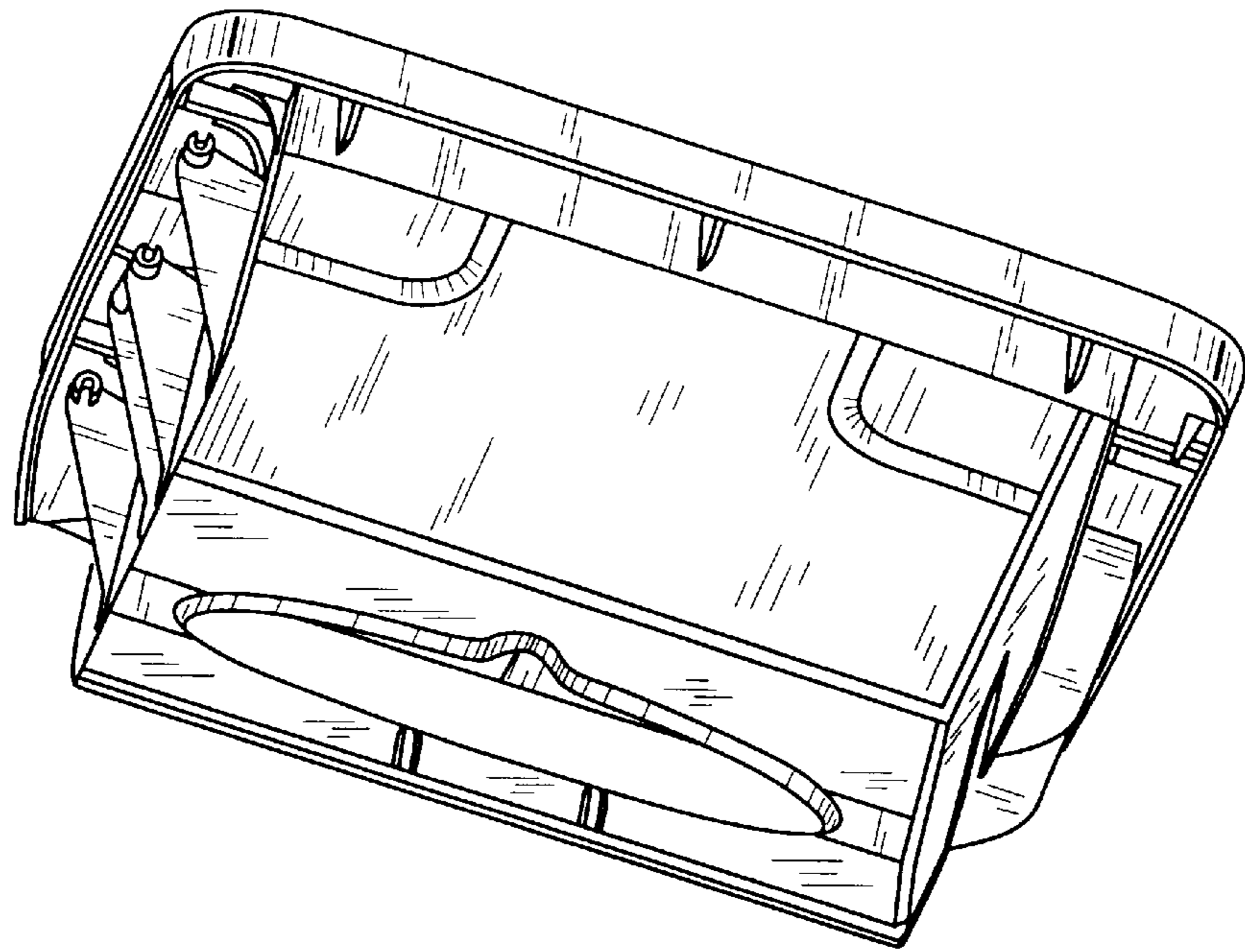
**FIG. 2**



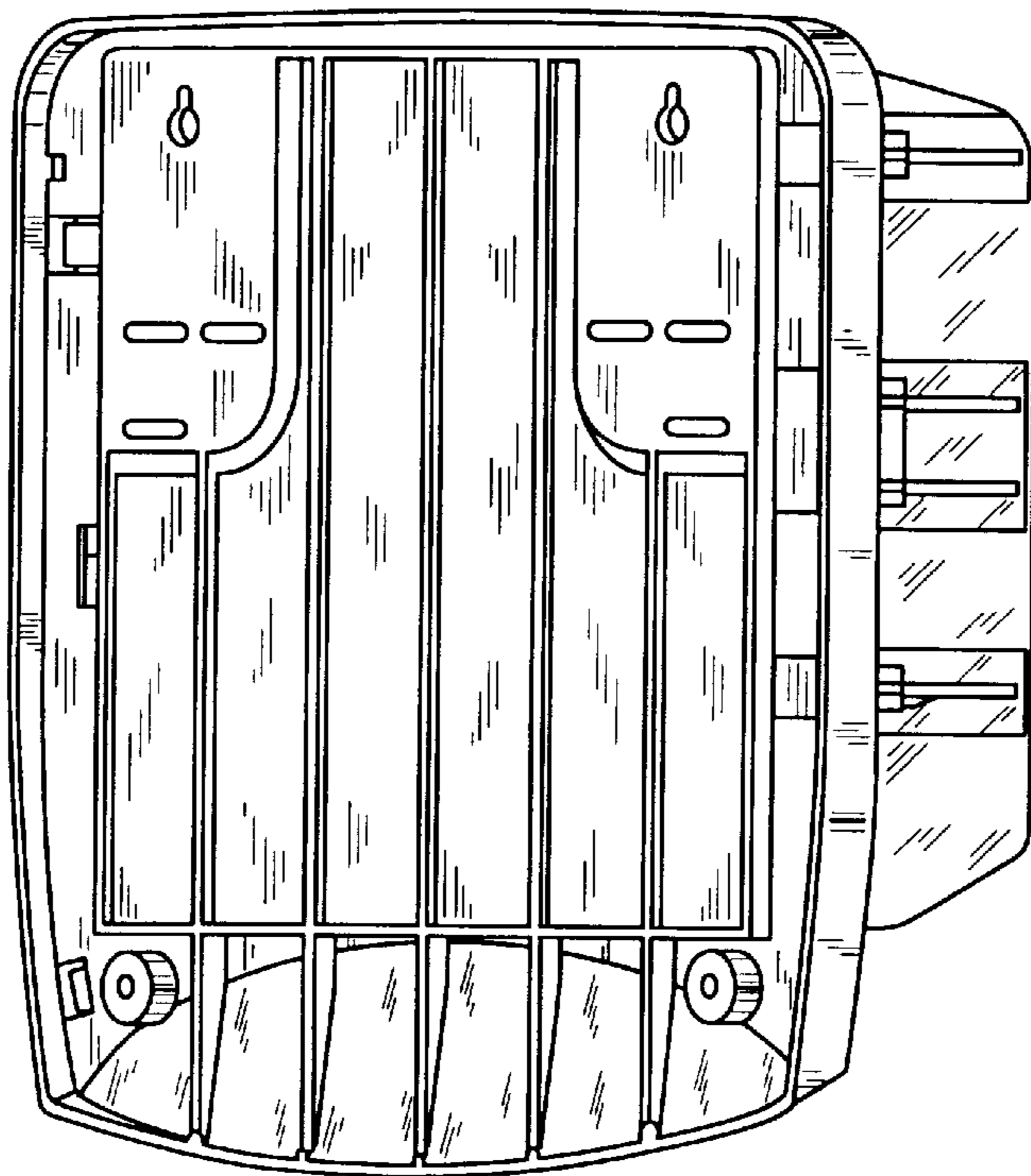
**FIG. 3**



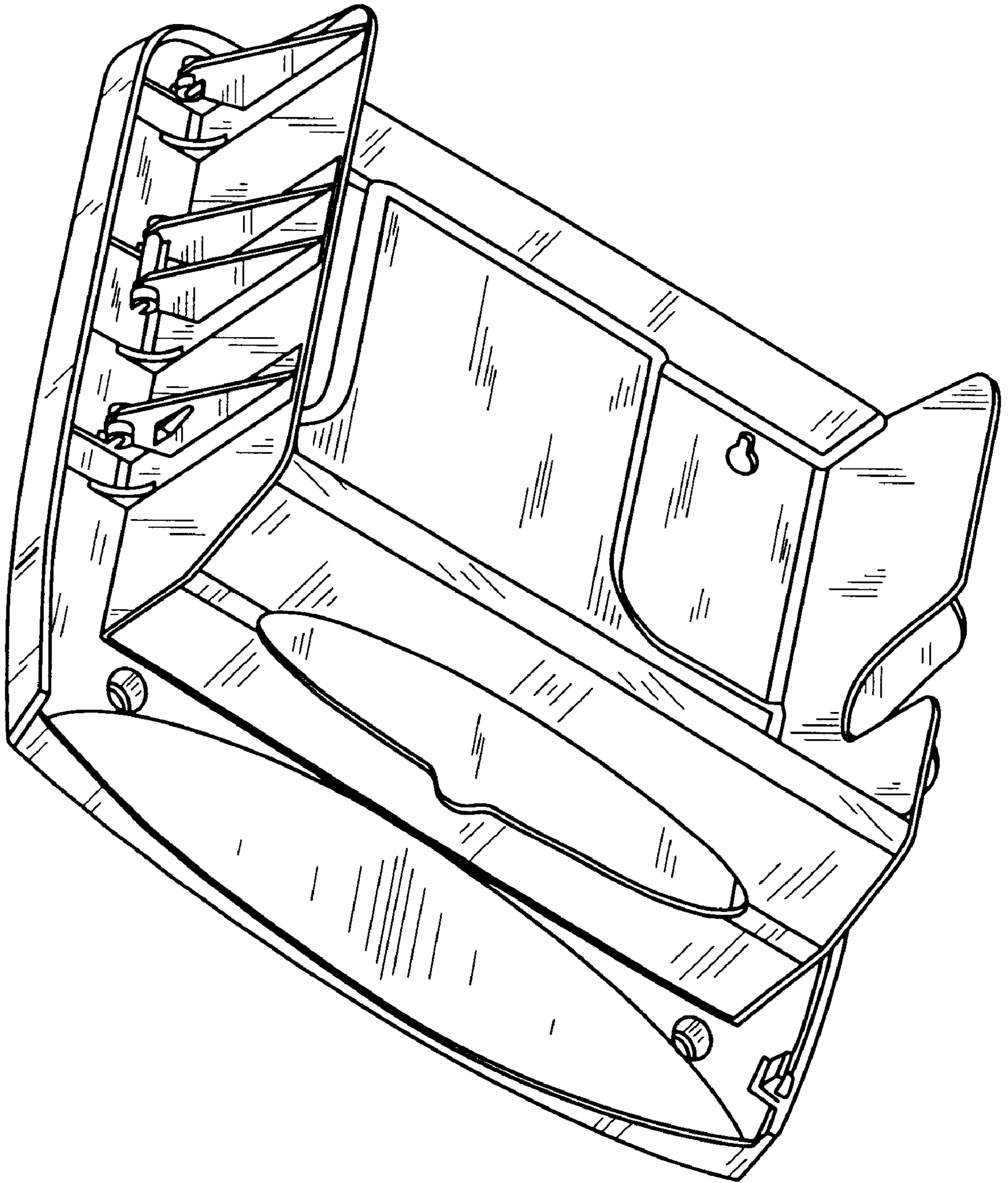
**FIG. 4**



**FIG. 5**



**FIG. 6**



**FIG. 7**