



US00D441577S

(12) **United States Design Patent**
Benedetti

(10) **Patent No.:** **US D441,577 S**

(45) **Date of Patent:** **** May 8, 2001**

(54) **DISPENSER**

(75) Inventor: **Giovanni Benedetti**, West Kilbride
(GB)

(73) Assignee: **Benedetti International plc of Ultra House**, Glasgow (GB)

(**) Term: **14 Years**

(21) Appl. No.: **29/110,389**

(22) Filed: **Sep. 3, 1999**

(30) **Foreign Application Priority Data**

Mar. 4, 1999 (GB) 2081685

(51) **LOC (7) Cl.** **20-02**

(52) **U.S. Cl.** **D6/518**

(58) **Field of Search** D6/518-523; 242/55.2;
312/37-39; 206/389; 211/16; 248/309.2

(56) **References Cited**

U.S. PATENT DOCUMENTS

- D. 301,667 * 6/1989 Barrs et al. D6/518
- D. 357,377 * 4/1995 Manu et al. D6/518
- D. 366,382 * 1/1996 Carillo D6/522

* cited by examiner

Primary Examiner—Brian N. Vinson

(74) *Attorney, Agent, or Firm*—Charles N. Quinn

(57) **CLAIM**

The ornamental design for a dispenser, as shown and described.

DESCRIPTION

FIG. 1 is an isometric view looking from the left front of the dispenser in a closed position in accordance with the invention.

FIG. 2 is a side elevation of the dispenser looking from left to right with respect to the isometric view illustrated in FIG. 1 of the dispenser in FIG. 1. The right side view is a mirror image of the left side view shown in FIG. 2.

FIG. 3 is a front elevation of the dispenser in accordance with my invention in a closed position.

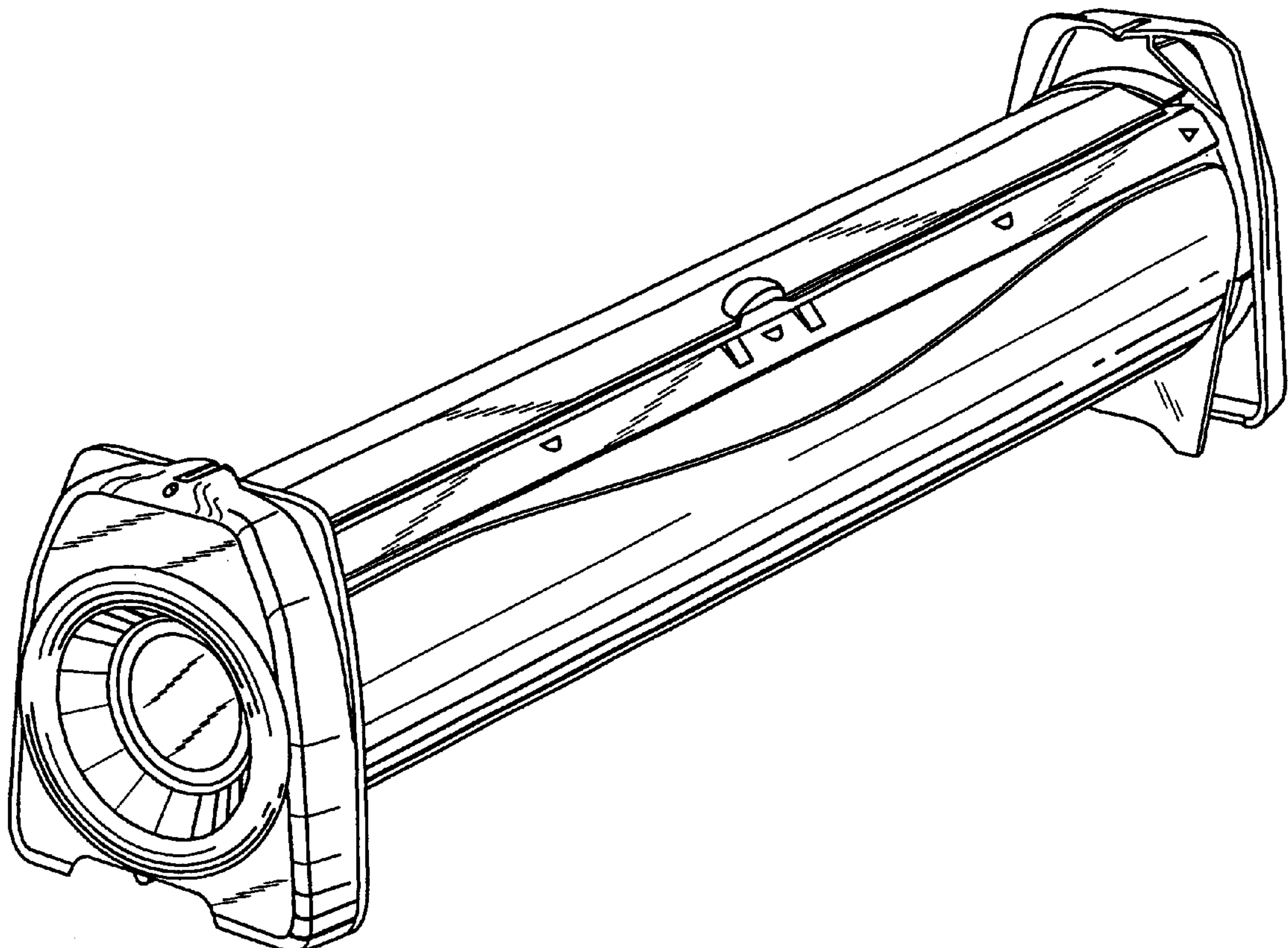
FIG. 4 is a top view of the dispenser of my invention as illustrated in FIGS. 1, 2 and 3.

FIG. 5 is a rear elevation view of the dispenser in accordance with my invention as illustrated in FIGS. 1-4; and,

FIG. 6 is an isometric view of the dispenser in accordance with my invention taken at the same position as in FIG. 1 but showing my dispenser in an open position.

The bottom view of my dispenser looks essentially the same as the rear view illustrated in FIG. 5.

1 Claim, 3 Drawing Sheets



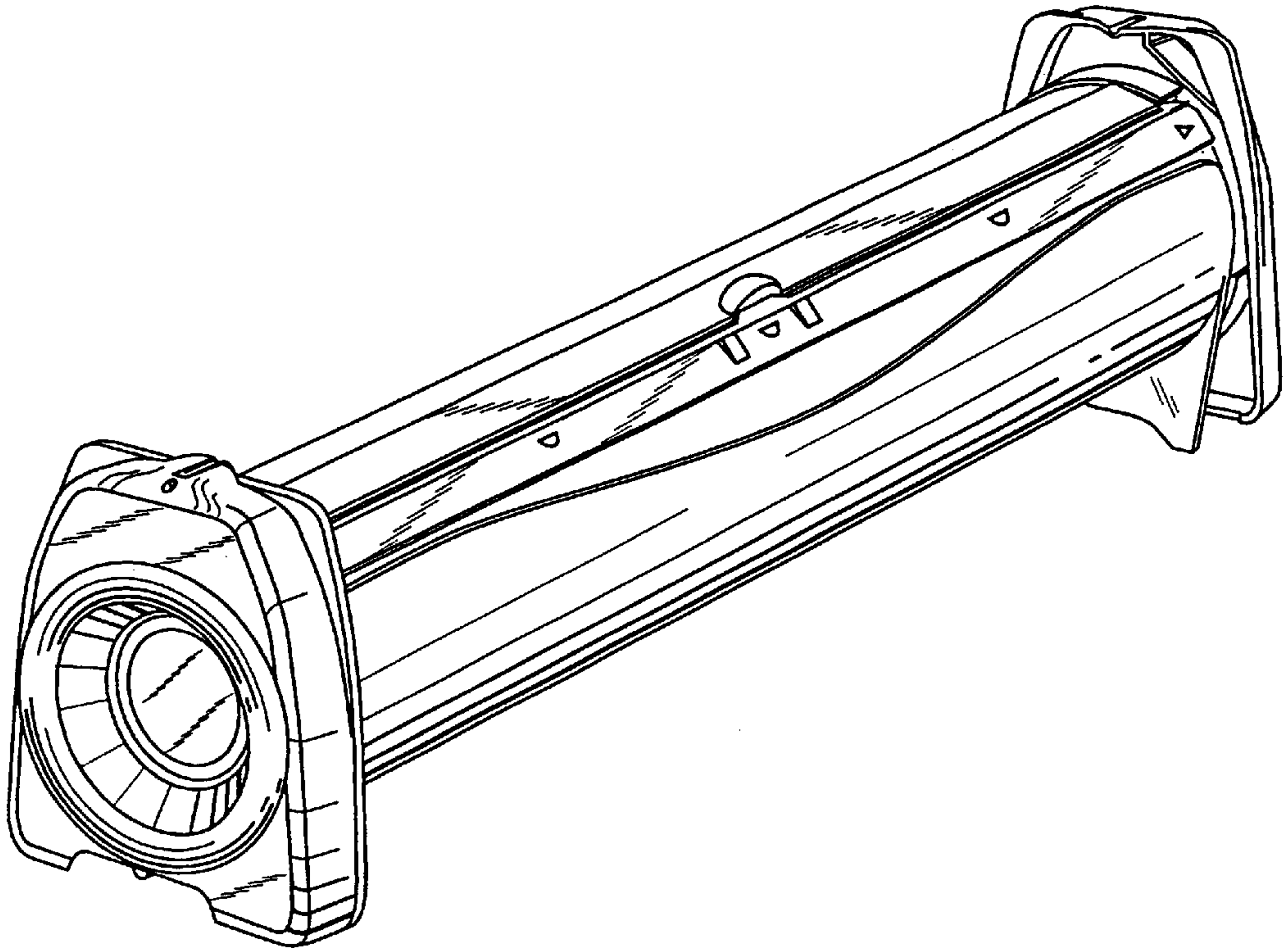


FIG. 1

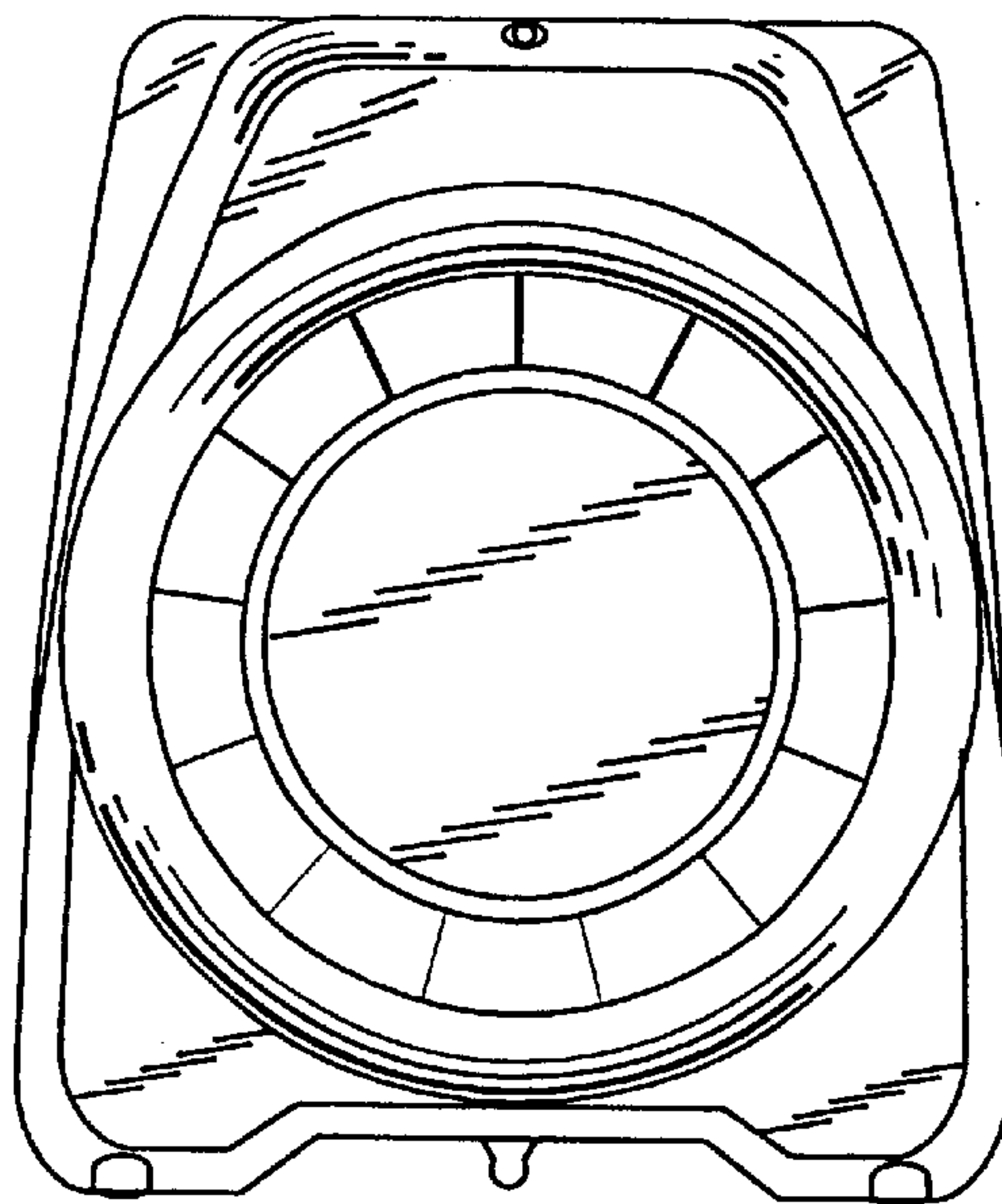


FIG. 2

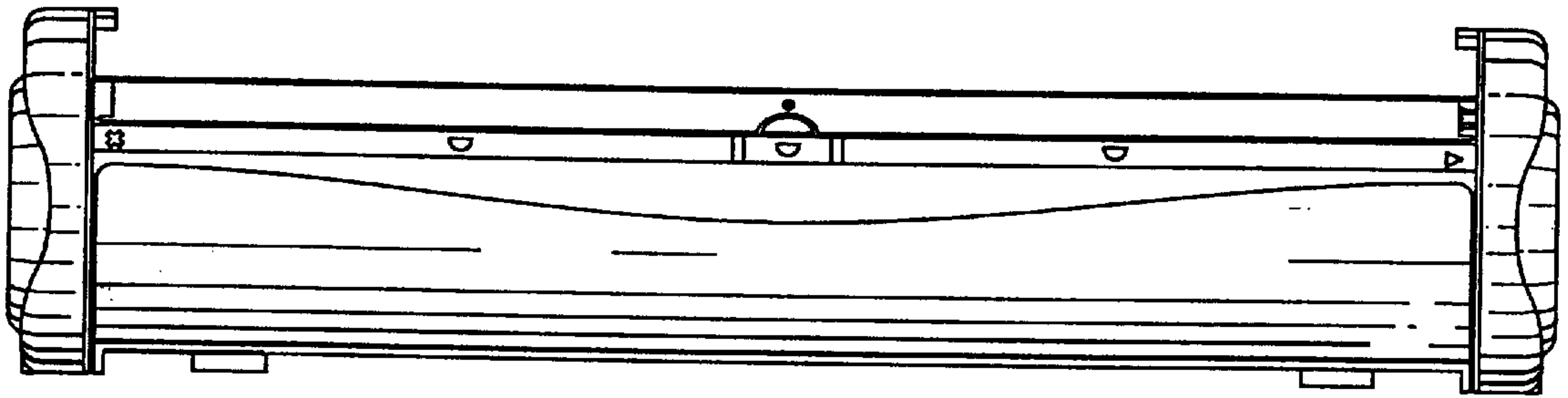


FIG. 3

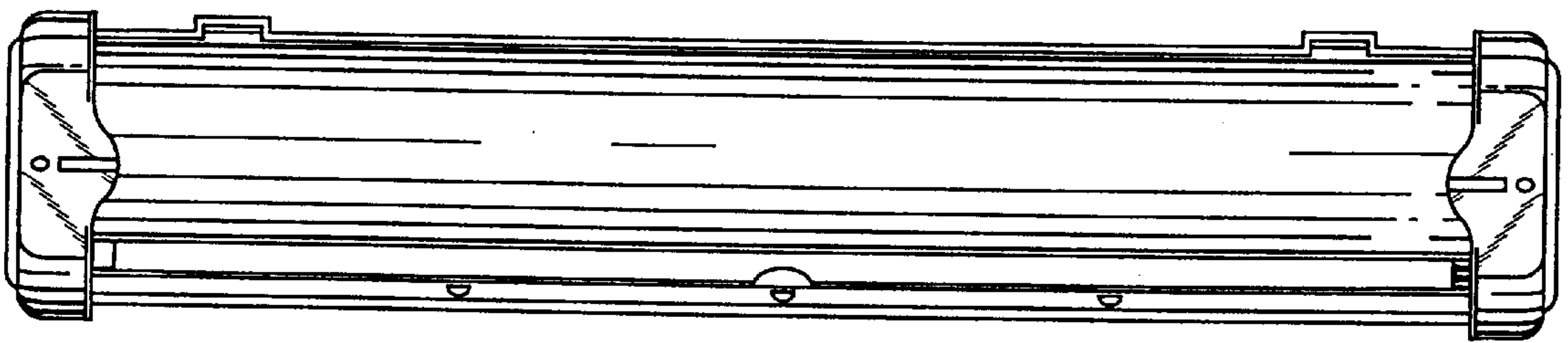


FIG. 4

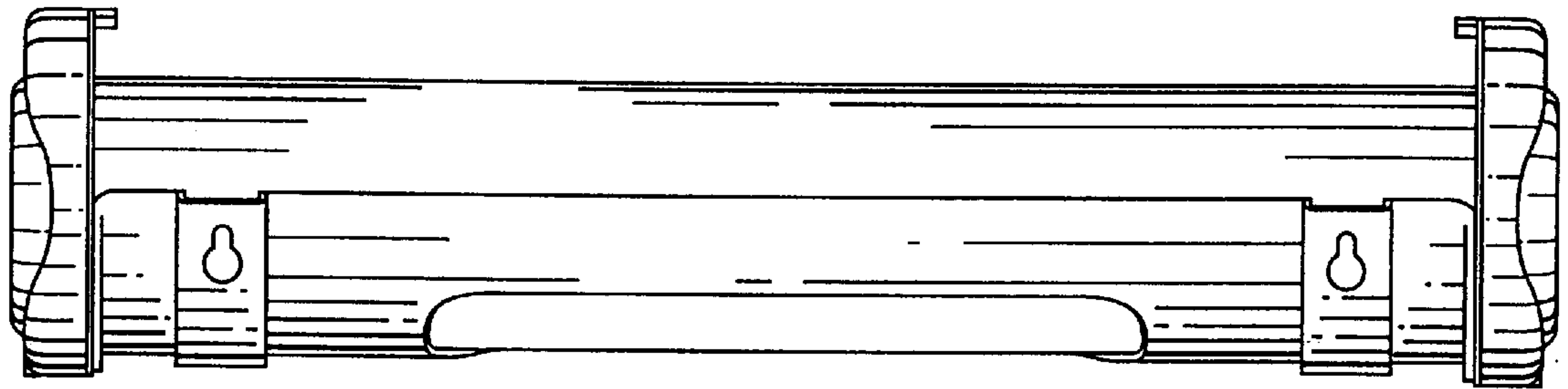


FIG. 5

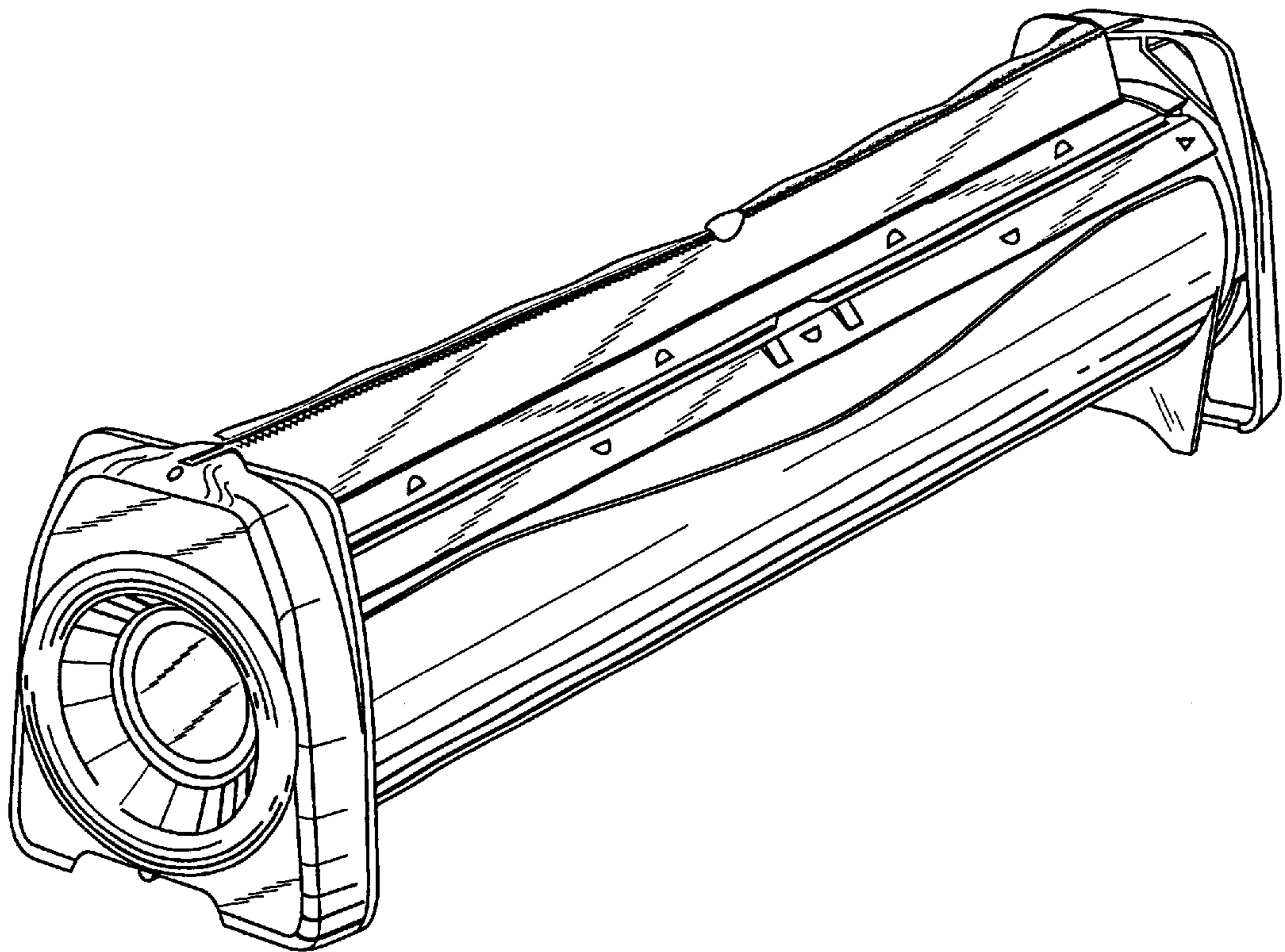


FIG. 6

UNITED STATES PATENT AND TRADEMARK OFFICE
CERTIFICATE OF CORRECTION

PATENT NO. : Des 441,577 S
DATED : May 8, 2001
INVENTOR(S) : Giovanni Benedetti

Page 1 of 1

It is certified that error appears in the above-identified patent and that said Letters Patent is hereby corrected as shown below:

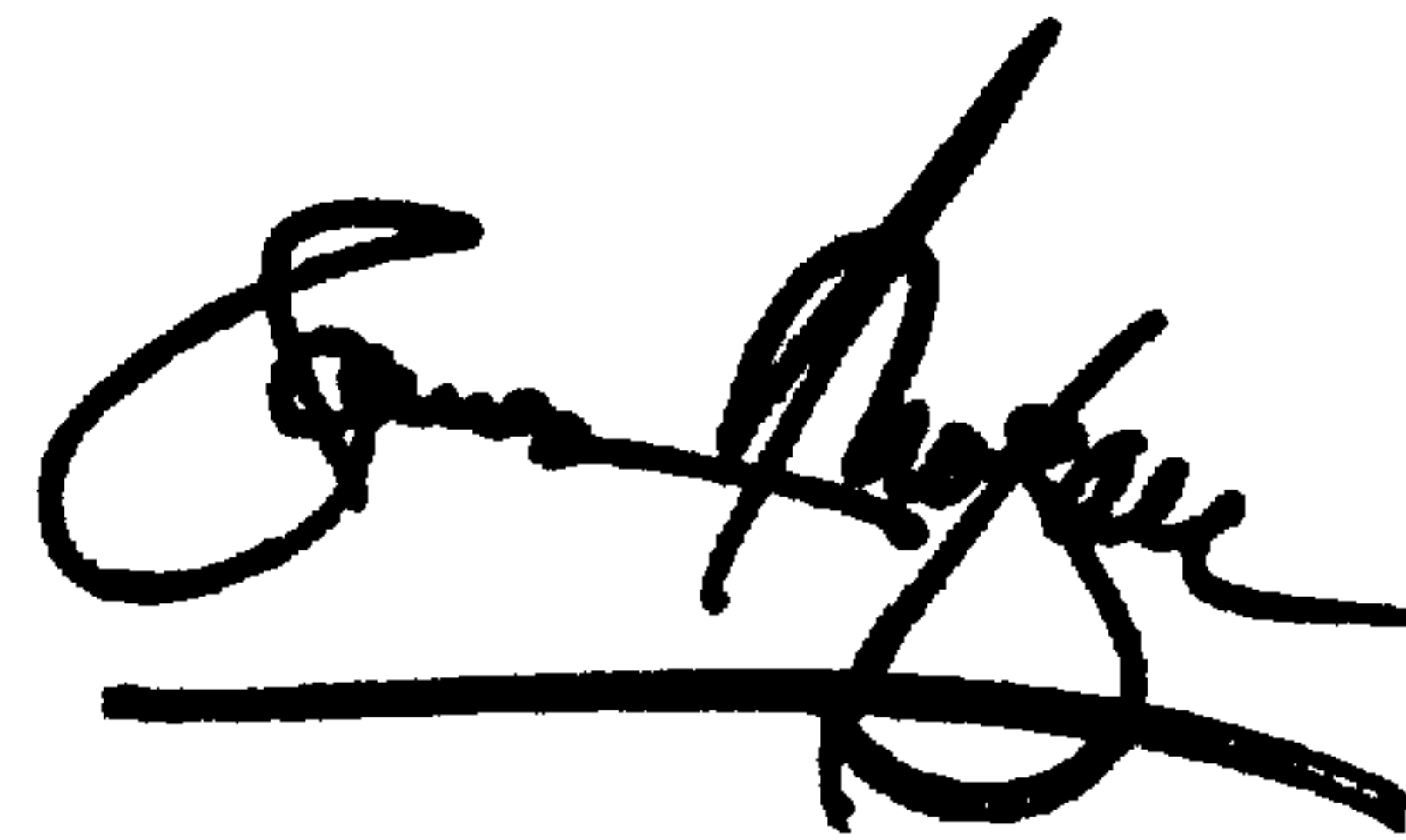
Title page,

Item [73], Assignee replace "Benedetti International plc of Ultra House" with
-- Benedetti International plc --.

Signed and Sealed this

Twelfth Day of February, 2002

Attest:



Attesting Officer

JAMES E. ROGAN
Director of the United States Patent and Trademark Office