



US00D441572S

(12) **United States Design Patent**
Deimen et al.

(10) **Patent No.:** **US D441,572 S**

(45) **Date of Patent:** **** May 8, 2001**

(54) **TABLE**

(75) **Inventors:** **Michael L. Deimen**, Burleson; **Robert L. Stewart**, Grapevine, both of TX (US); **Frank A. Friedman**, Mill Valley, CA (US); **David M. Webster**, San Francisco, CA (US); **Kristine R. Chan-Lizardo**, Palo Alto, CA (US); **James R. Yurchenco**, Palo Alto, CA (US); **Annetta M. Papadopoulos**, Palo Alto, CA (US); **Diego A. Rodriguez**, Boulder, CO (US)

(73) **Assignee:** **Steelcase Development Inc.**, Grand Rapids, MI (US)

(**) **Term:** **14 Years**

(21) **Appl. No.:** **29/117,717**

(22) **Filed:** **Jan. 31, 2000**

(51) **LOC (7) Cl.** **06-03**

(52) **U.S. Cl.** **D6/480**

(58) **Field of Search** D6/480-489, 495-499, D6/511, 429; 108/151, 153.1, 156, 157.1, 161; 248/188, 188.1

(56) **References Cited**

U.S. PATENT DOCUMENTS

D. 325,833	5/1992	Saotome .	
D. 330,299	10/1992	Saotome .	
D. 336,393	* 6/1993	Saotome	D6/484
D. 336,394	* 6/1993	Ball	D6/487
D. 352,845	11/1994	Hellwig et al. .	
D. 366,791	2/1996	Grosfillex .	
D. 399,685	10/1998	Grosfillex .	
2,836,475	5/1958	Sapp .	
3,115,850	12/1963	Sloan .	
3,166,029	1/1965	Acton .	

3,309,100	3/1967	Barbuti .	
3,640,228	2/1972	Busse .	
3,742,869	7/1973	Polsky et al. .	
3,796,169	3/1974	Bales et al. .	
4,248,161	* 2/1981	Adair et al.	108/6
4,372,631	2/1983	Leon .	
4,748,913	6/1988	Favaretto et al. .	
4,879,954	11/1989	Sawamura et al. .	
4,986,195	1/1991	Diffrient .	
5,205,223	4/1993	Ball et al. .	
5,337,657	8/1994	Diffrient .	
5,606,920	3/1997	Meyer et al. .	
5,622,119	4/1997	Hsieh .	
5,640,912	6/1997	Diffrient .	
5,746,660	5/1998	Grover .	
5,794,545	8/1998	McDaniel et al. .	
5,878,673	3/1999	Kramer et al. .	
5,906,420	5/1999	Rozier, Jr. et al. .	
5,927,214	7/1999	Schwartz et al. .	
5,934,201	8/1999	Diffrient .	
5,934,203	8/1999	Glass .	

* cited by examiner

Primary Examiner—Janice E. Seeger

(74) *Attorney, Agent, or Firm*—Price, Heneveld, Cooper, DeWitt & Litton

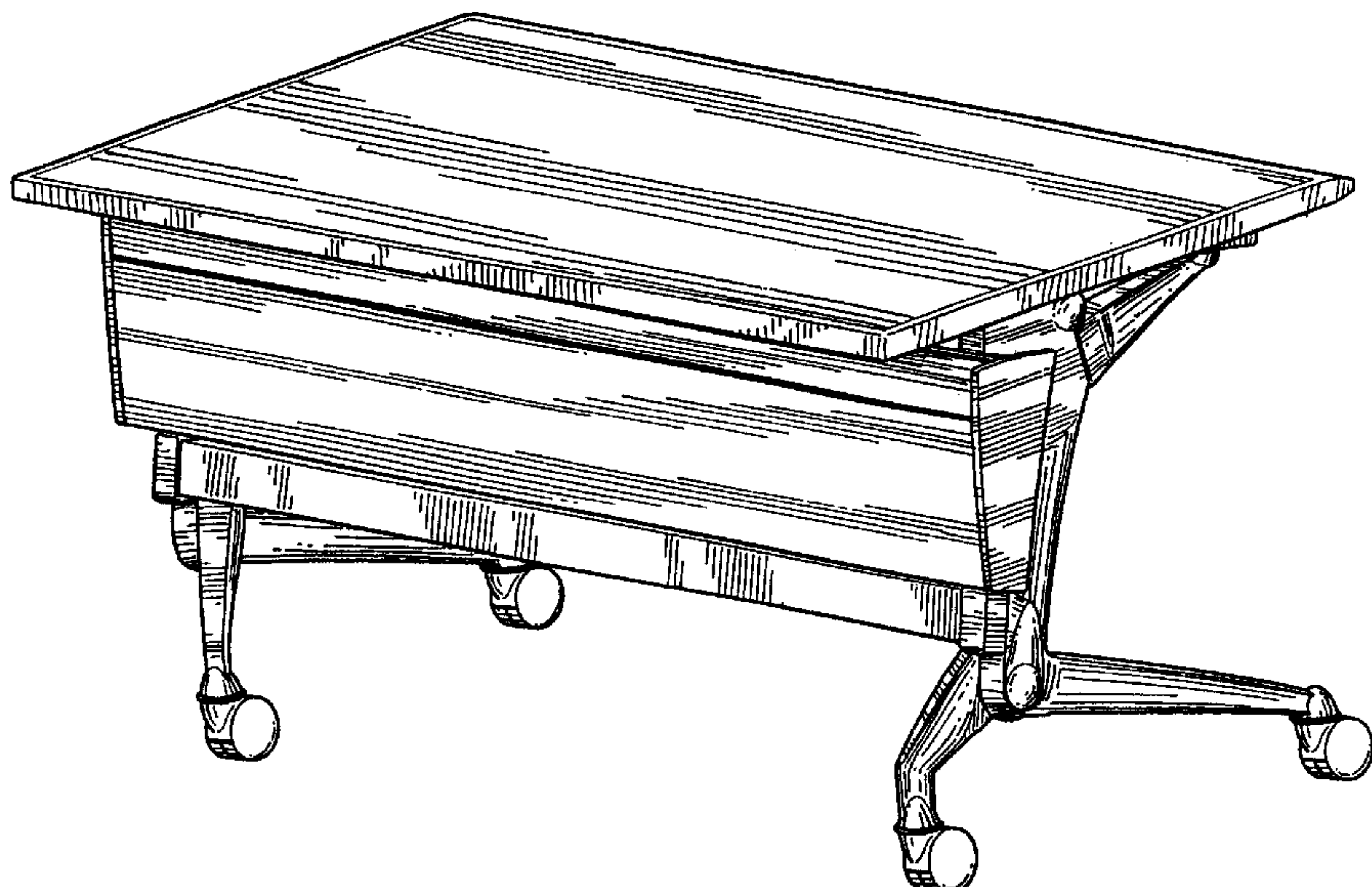
(57) **CLAIM**

The ornamental design for a table, as shown and described.

DESCRIPTION

FIG. 1 is a perspective view of a table showing our design; FIG. 2 is a left side view; FIG. 3 is a top view; FIG. 4 is a right side view; FIG. 5 is a rear view; FIG. 6 is a bottom view; and, FIG. 7 is a front view.

1 Claim, 4 Drawing Sheets



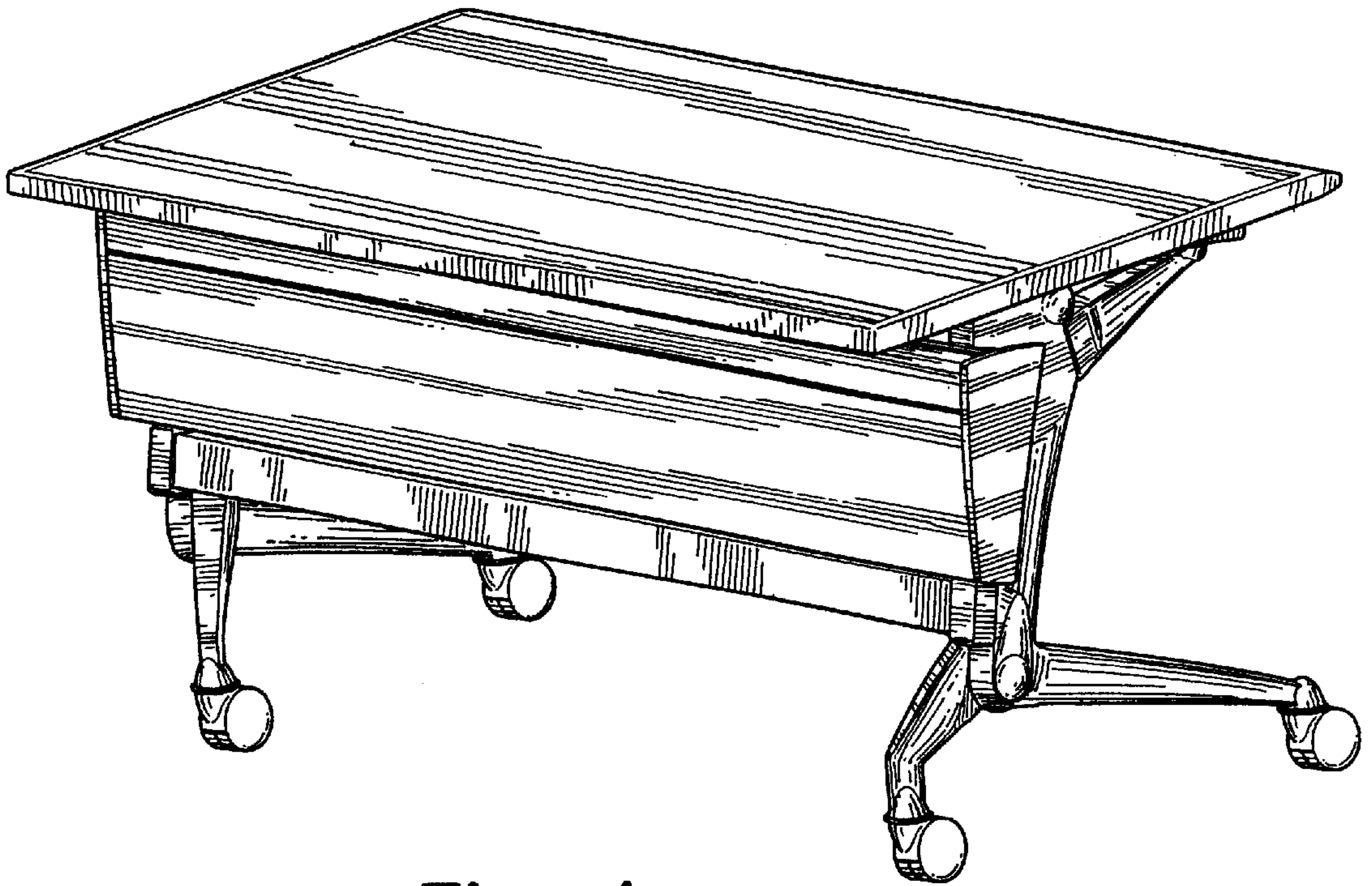


Fig. 1

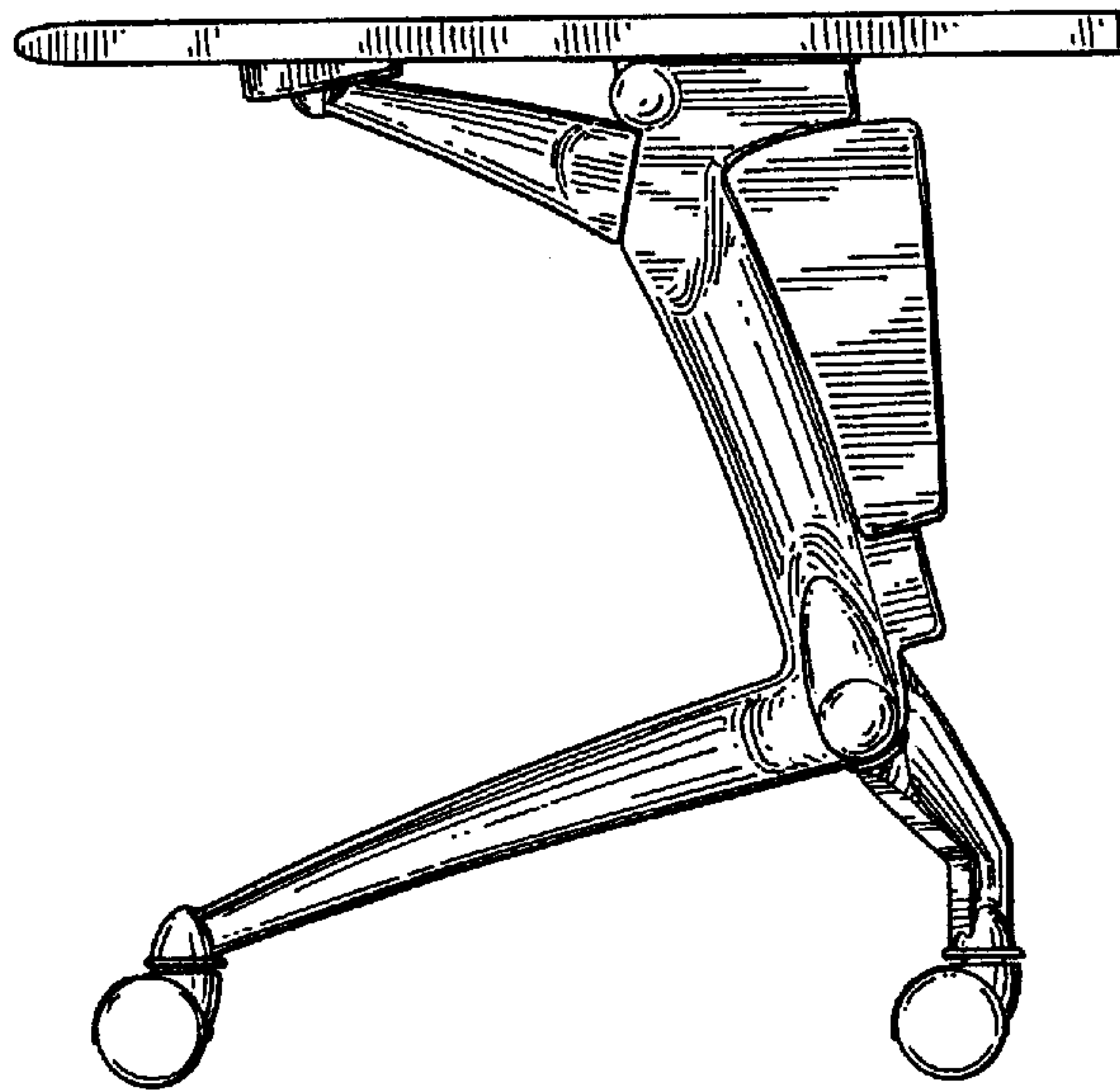


Fig. 2

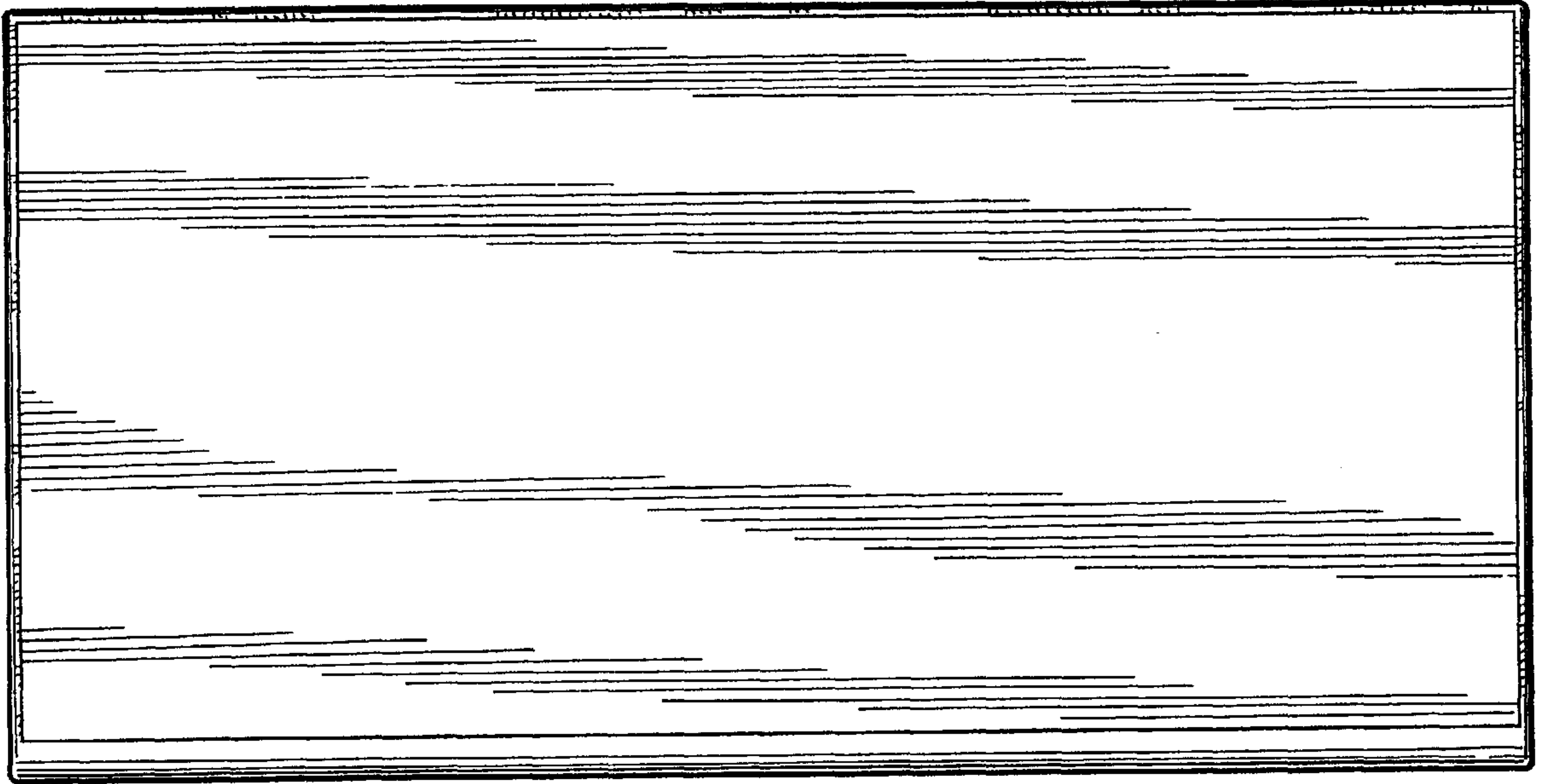


Fig. 3

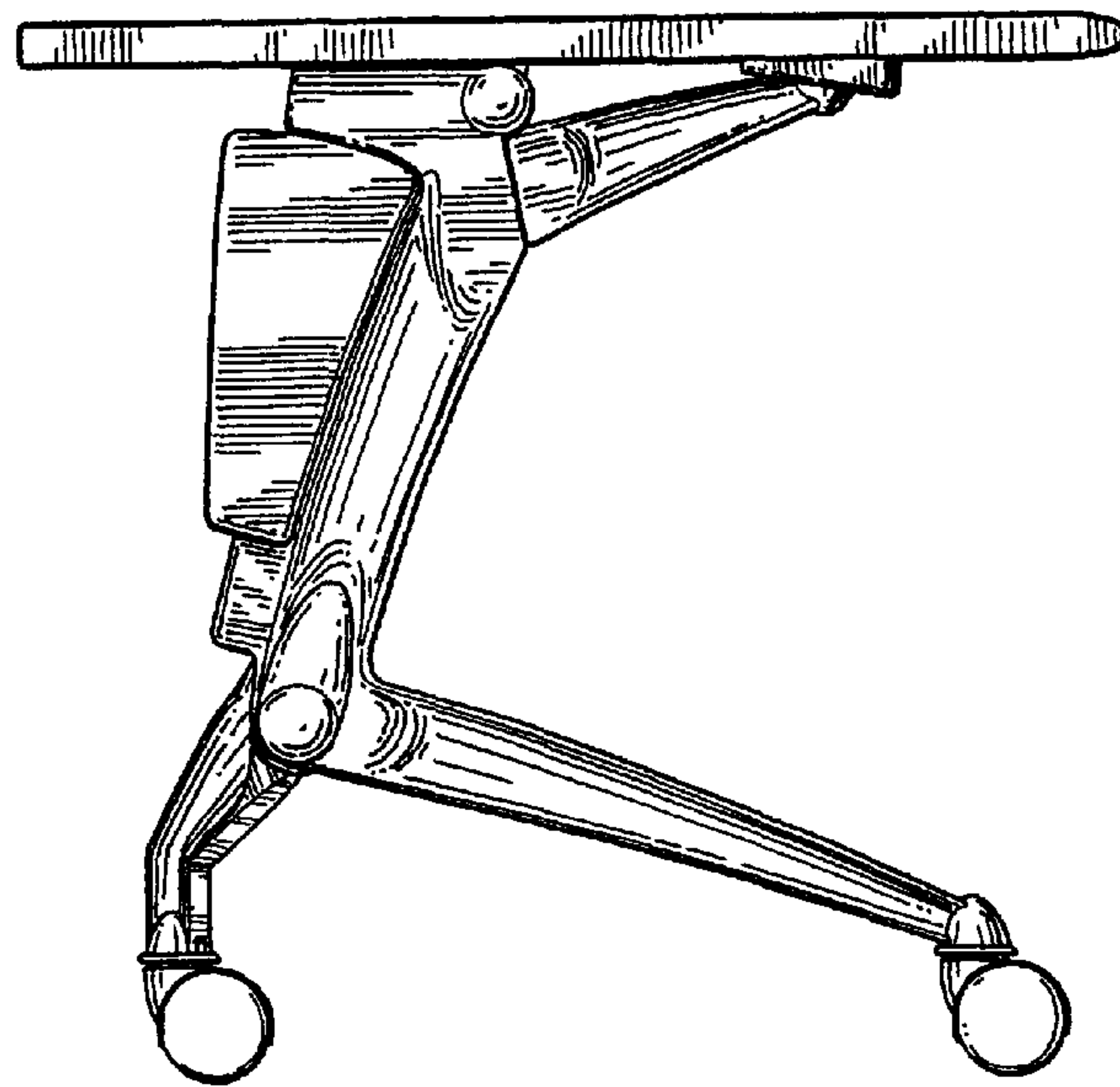


Fig. 4

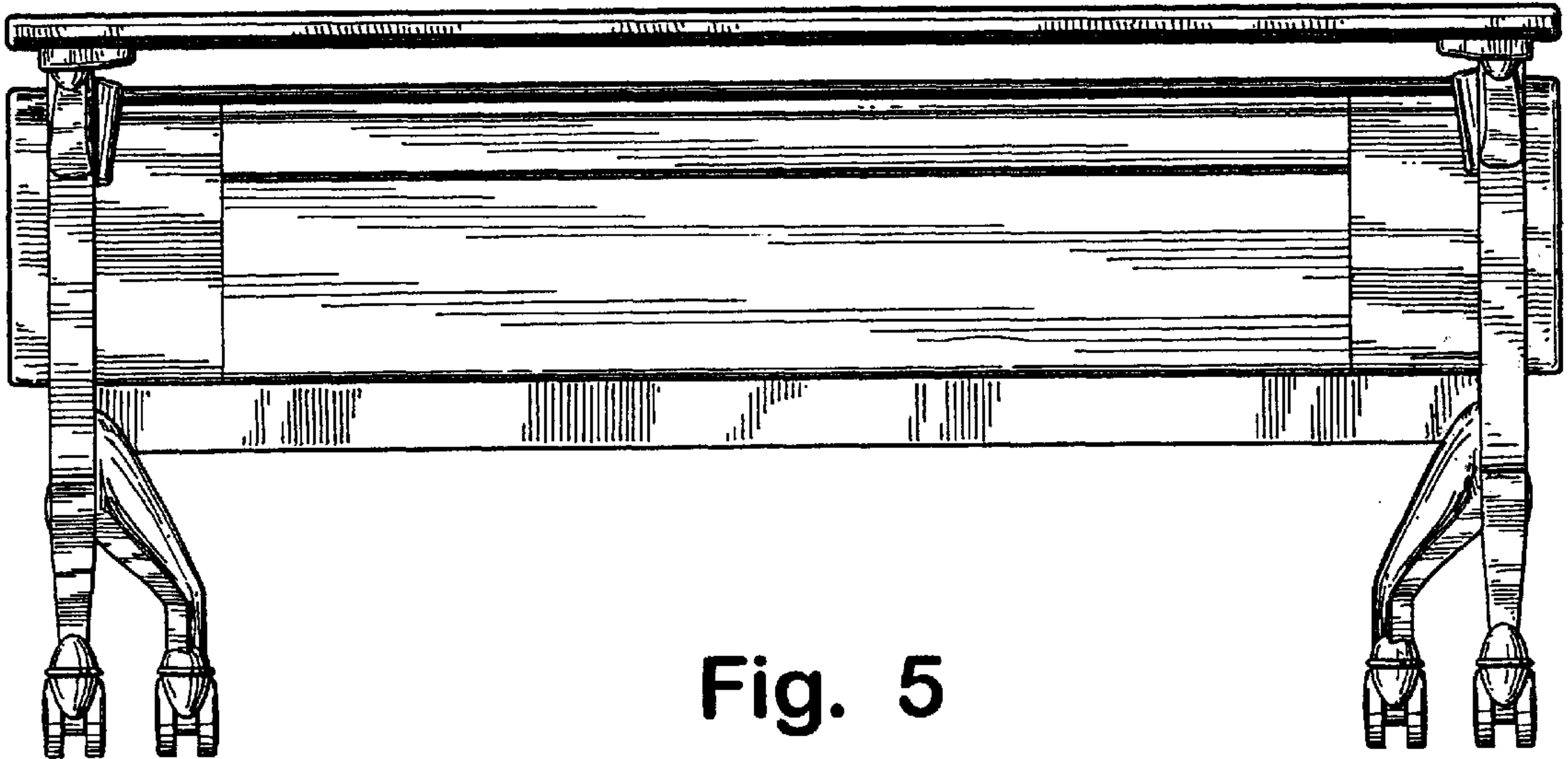


Fig. 5

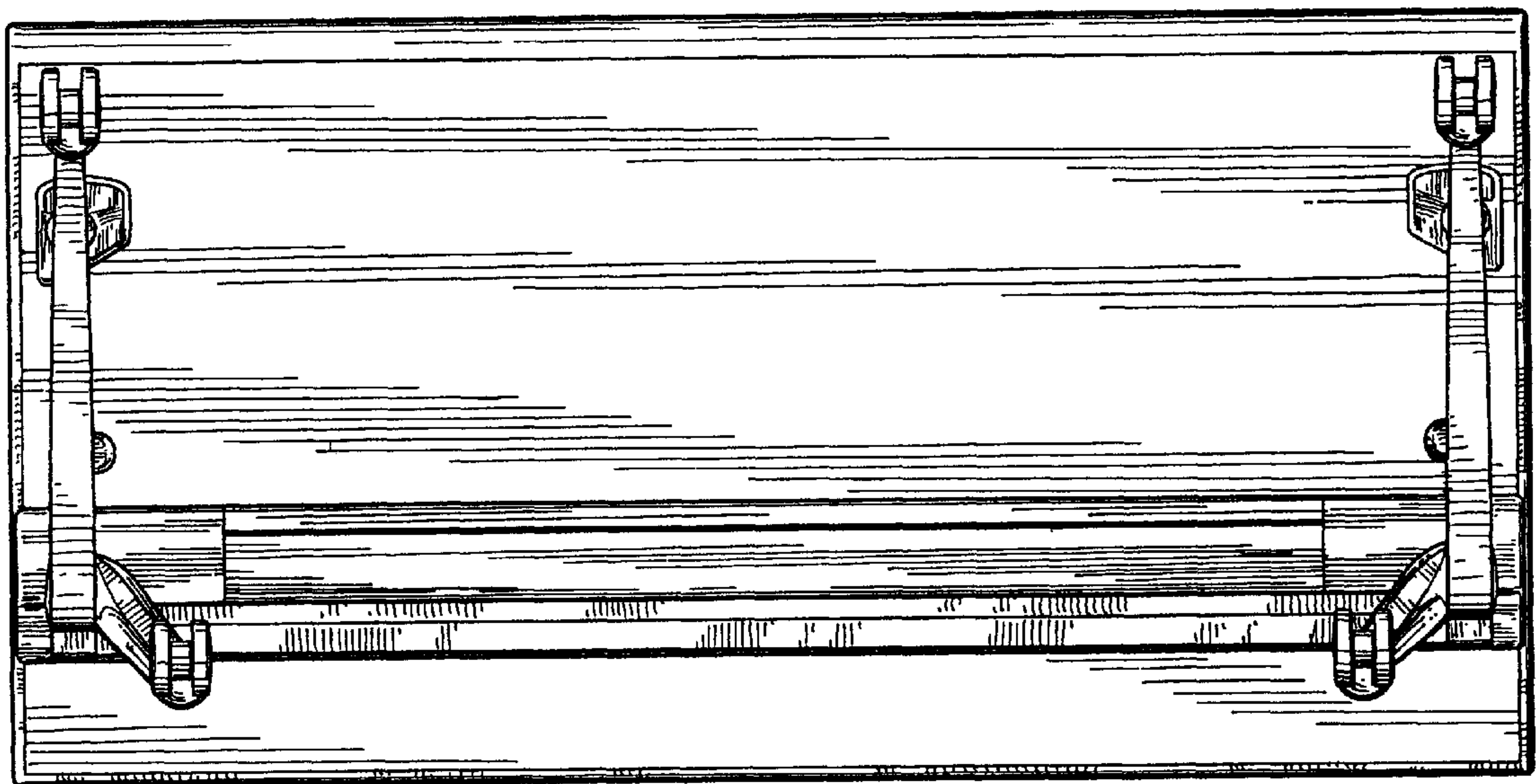


Fig. 6

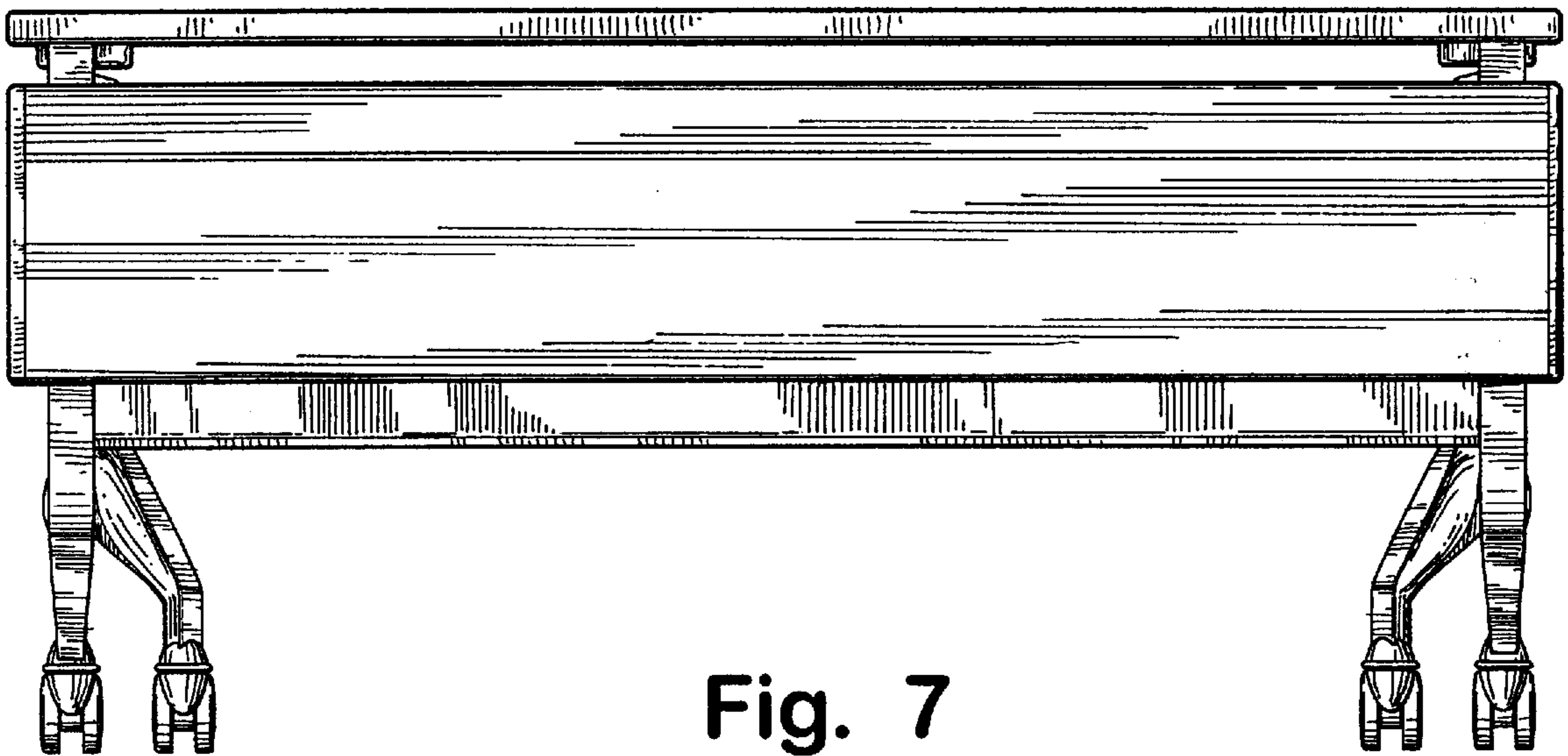


Fig. 7

UNITED STATES PATENT AND TRADEMARK OFFICE
CERTIFICATE OF CORRECTION

PATENT NO. : Des 441,572 S
DATED : May 8, 2001
INVENTOR(S) : Michael L. Deimen et al.

Page 1 of 1

It is certified that error appears in the above-identified patent and that said Letters Patent is hereby corrected as shown below:

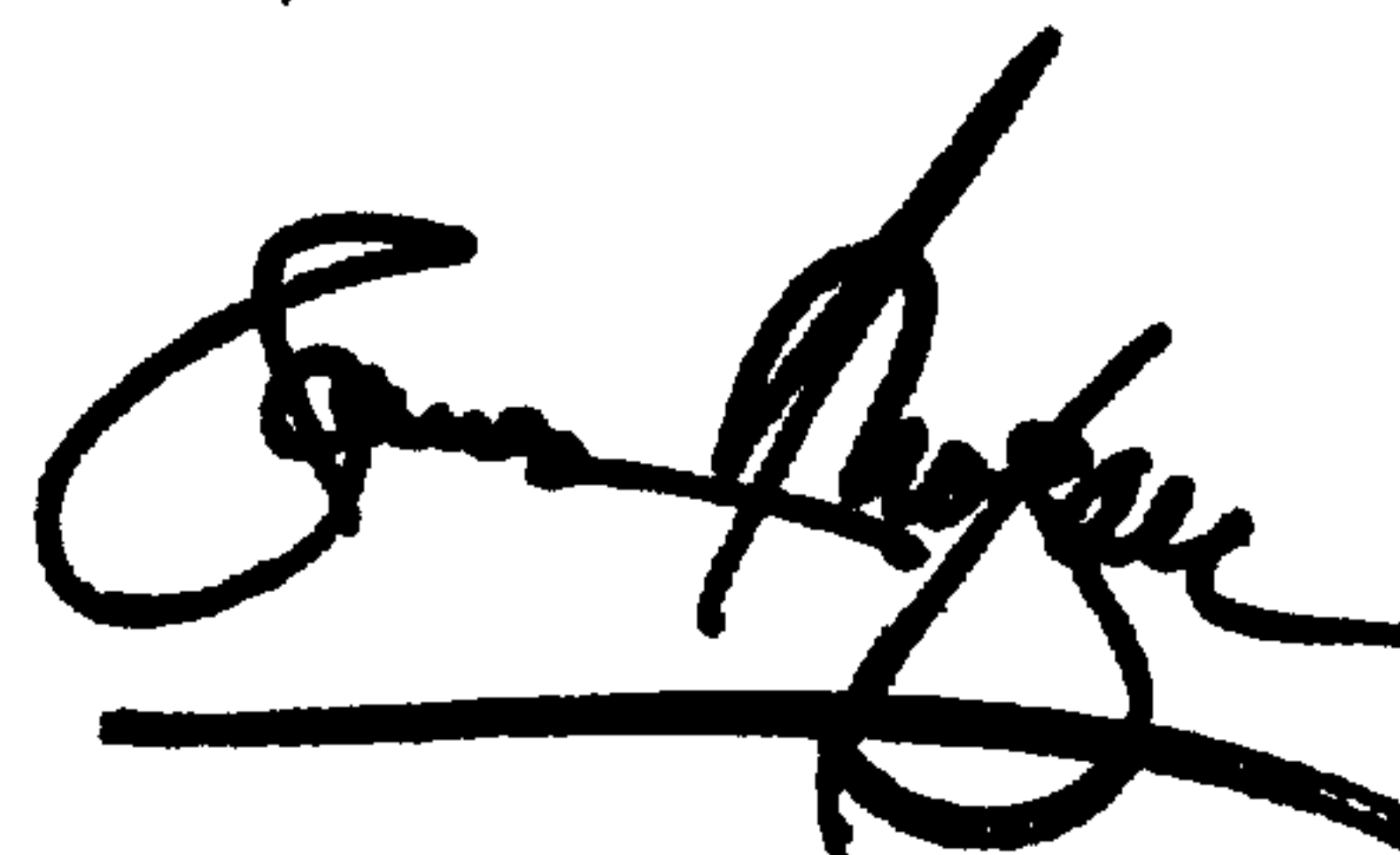
Claim [57].

Before "ornamental", delete "The" and insert -- We claim the --;

Signed and Sealed this

Eighteenth Day of December, 2001

Attest:



Attesting Officer

JAMES E. ROGAN
Director of the United States Patent and Trademark Office