



US00D441559S

(12) **United States Design Patent**
Walsh

(10) **Patent No.:** **US D441,559 S**

(45) **Date of Patent:** **** May 8, 2001**

(54) **LOFT BED ASSEMBLY WITH MULTIPLE STORAGE COMPARTMENTS**

(75) **Inventor:** **Brendan Walsh**, 417 E. 236th St.,
Bronx, NY (US) 10470

(73) **Assignee:** **Brendan Walsh**, Bronx, NY (US)

(**) **Term:** **14 Years**

(21) **Appl. No.:** **29/118,579**

(22) **Filed:** **Feb. 14, 2000**

(51) **LOC (7) Cl.** **06-01**

(52) **U.S. Cl.** **D6/384**

(58) **Field of Search** D6/382-389, 392-395,
D6/505-508, 397; 5/53.1, 279.1, 280, 281,
907, 2.1, 310, 308, 8

(56) **References Cited**

U.S. PATENT DOCUMENTS

- D. 168,201 * 11/1952 Weiss D6/383
- D. 276,386 12/1993 Shaw .
- D. 279,339 6/1985 Testa .
- D. 325,825 5/1992 Bell .
- D. 331,841 5/1992 Pitner .
- D. 342,393 12/1993 Cephas .

- D. 346,708 5/1994 Baer .
- D. 400,025 10/1998 Lightner .
- D. 404,214 * 1/1999 Zaidman D6/384
- D. 412,070 7/1999 Nesbit .
- D. 422,160 * 4/2000 Zaidman D6/384
- 2,888,687 * 6/1959 Lindsey 5/2.1
- 4,109,328 8/1978 Mason .
- 4,139,077 * 2/1979 Pena, Jr. 5/2.1

* cited by examiner

Primary Examiner—Janice E. Seeger

(57) **CLAIM**

The ornamental design for a loft bed assembly with multiple storage compartments, as shown and described.

DESCRIPTION

FIG. 1 is a three-quarter perspective view of the loft bed assembly with multiple storage compartments, illustrating steps leading to the bed containing drawers therein, and multiple storage compartments at the front section thereof; and,

FIG. 2 is a three-quarter perspective view of the loft bed assembly with multiple storage compartments, illustrating steps leading to the bed containing drawers therein, and desk assembly located beneath the bed.

1 Claim, 2 Drawing Sheets

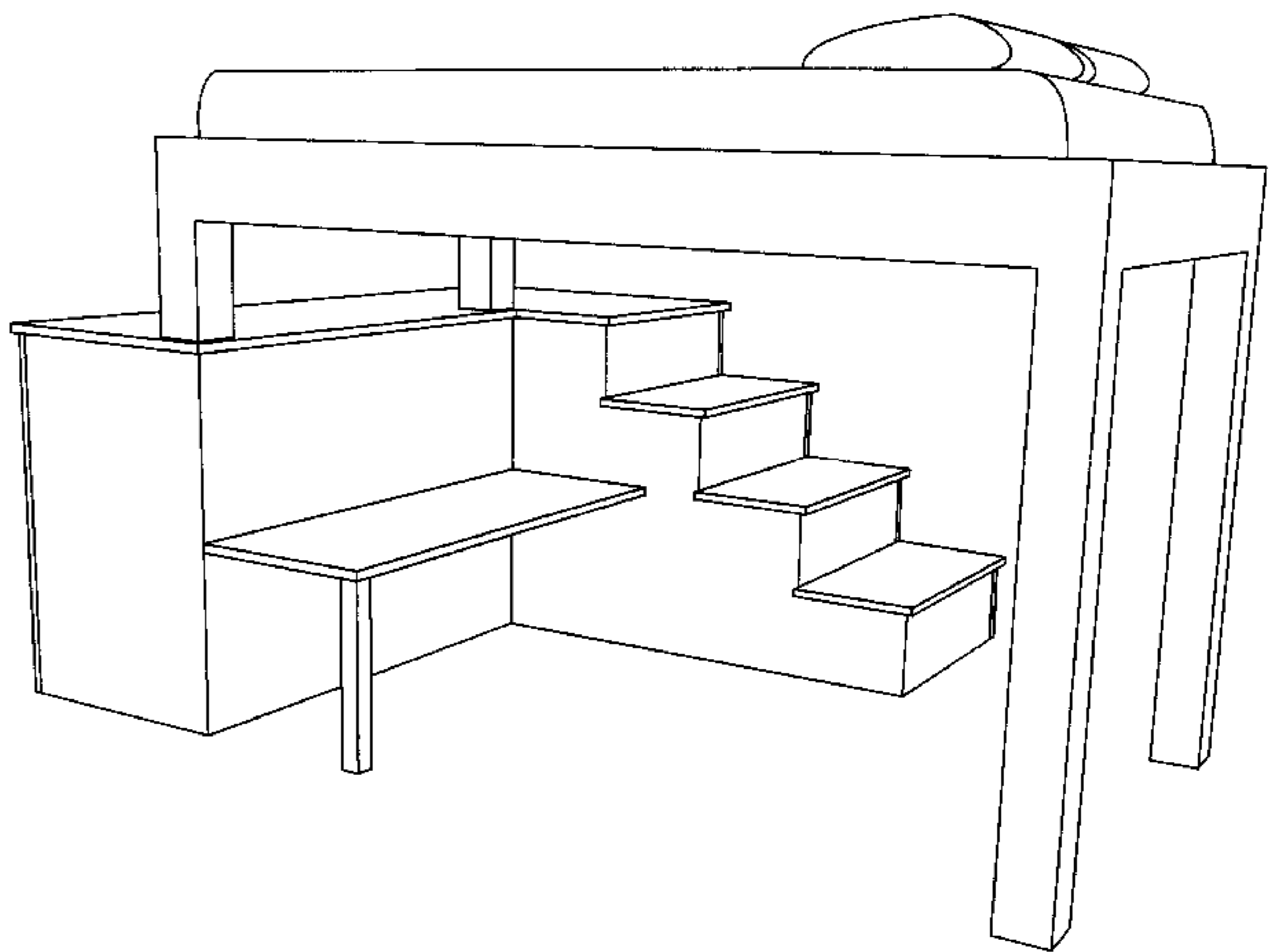
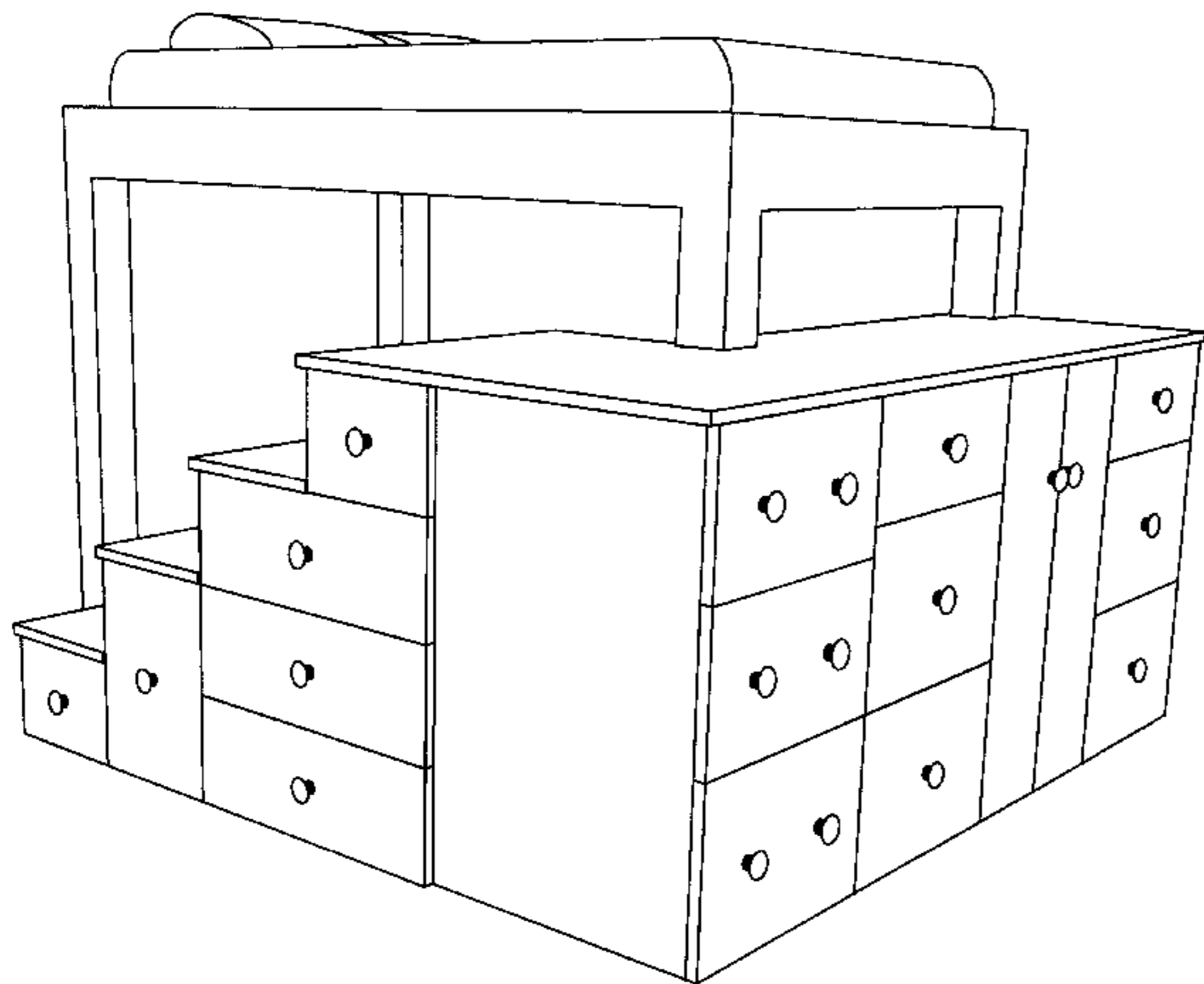
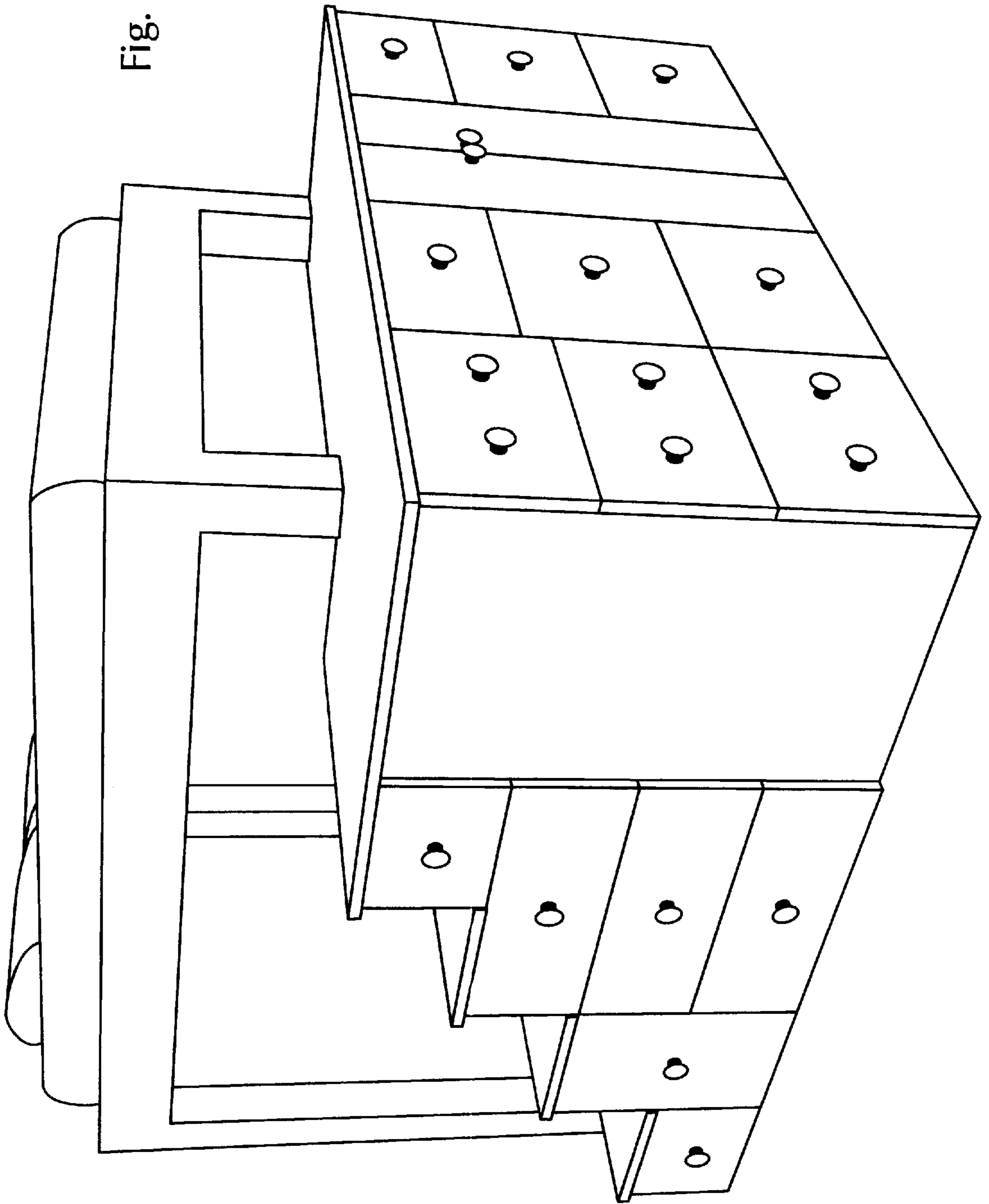


Fig. 1



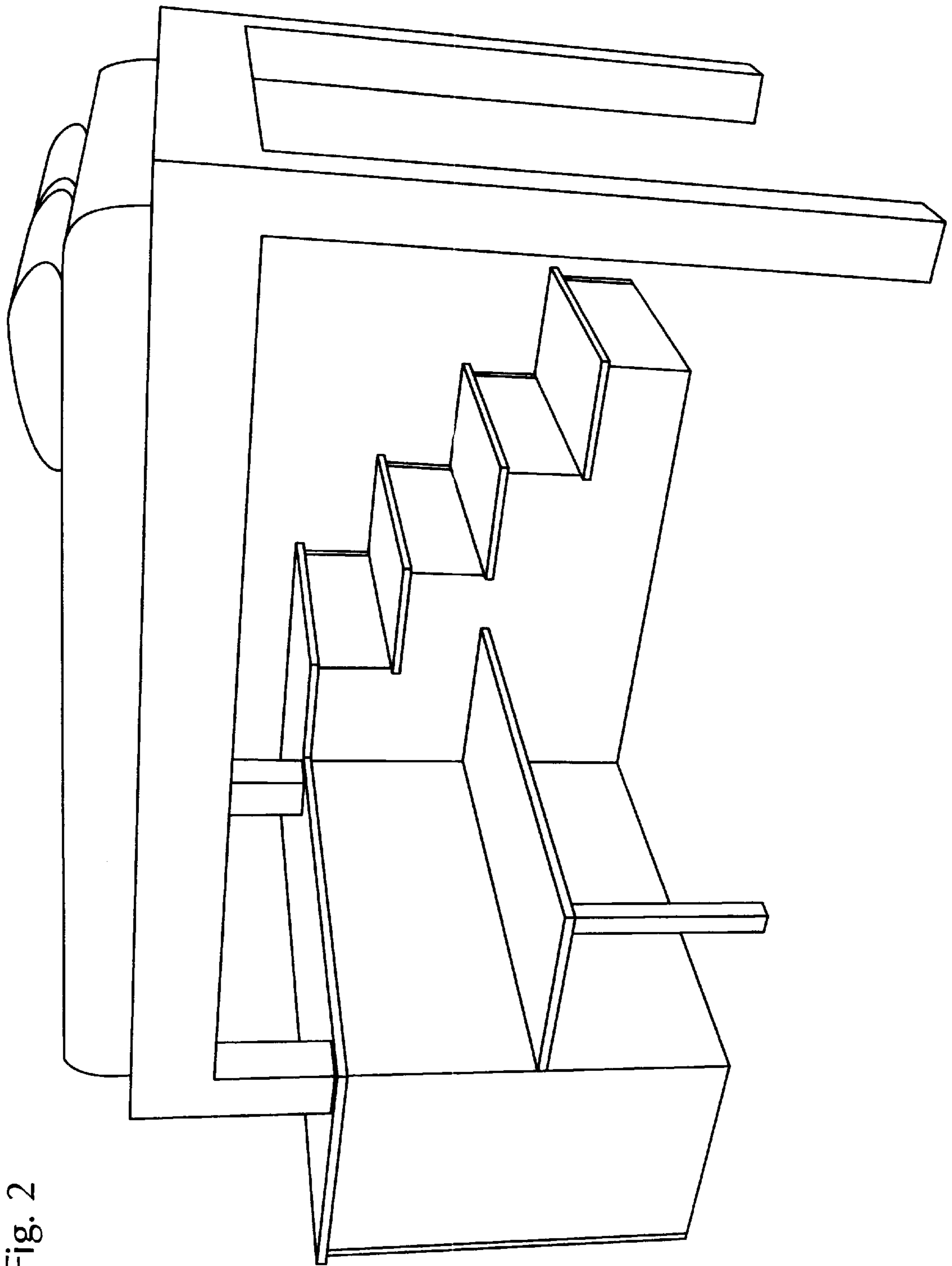


Fig. 2