



US00D441557S

(12) **United States Design Patent**
Glass

(10) **Patent No.:** **US D441,557 S**

(45) **Date of Patent:** **** May 8, 2001**

(54) **LIGHTWEIGHT CHAIR**

(75) Inventor: **Peter Glass**, Napa, CA (US)

(73) Assignee: **Virco Mgmt. Corporation**, Torrance, CA (US)

(**) Term: **14 Years**

(21) Appl. No.: **29/126,129**

(22) Filed: **Jul. 7, 2000**

(51) **LOC (7) Cl.** **06-01**

(52) **U.S. Cl.** **D6/374**

(58) **Field of Search** D6/334, 367, 374,
D6/375, 379, 380, 500, 501, 502; 297/445.1

(56) **References Cited**

U.S. PATENT DOCUMENTS

D. 247,463	3/1978	Müller-Deisig .	
D. 308,604	* 6/1990	Verkerke	D6/334
D. 346,911	* 5/1994	Lucci et al.	D6/374
D. 351,291	10/1994	Völkle .	
D. 362,968	* 10/1995	Mourgue	D6/334
D. 368,383	* 4/1996	Danko	D6/374
D. 409,407	* 5/1999	Wang	D6/375
D. 411,382	* 6/1999	Graham	D6/380

D. 426,731	* 6/2000	Cibic et al.	D6/500
4,776,633	10/1988	Knoblock et al. .	
5,037,158	8/1991	Crawford .	
5,630,650	5/1997	Peterson et al. .	
5,678,893	10/1997	Bock .	
5,725,278	3/1998	Verbeek .	
5,951,107	9/1999	Tornero .	

* cited by examiner

Primary Examiner—Gary D. Watson

(74) *Attorney, Agent, or Firm*—Sheldon & Mak; Denton L. Anderson

(57) **CLAIM**

The ornamental design for a lightweight chair, as shown and described.

DESCRIPTION

FIG. 1 is a side view of the lightweight chair of the invention;

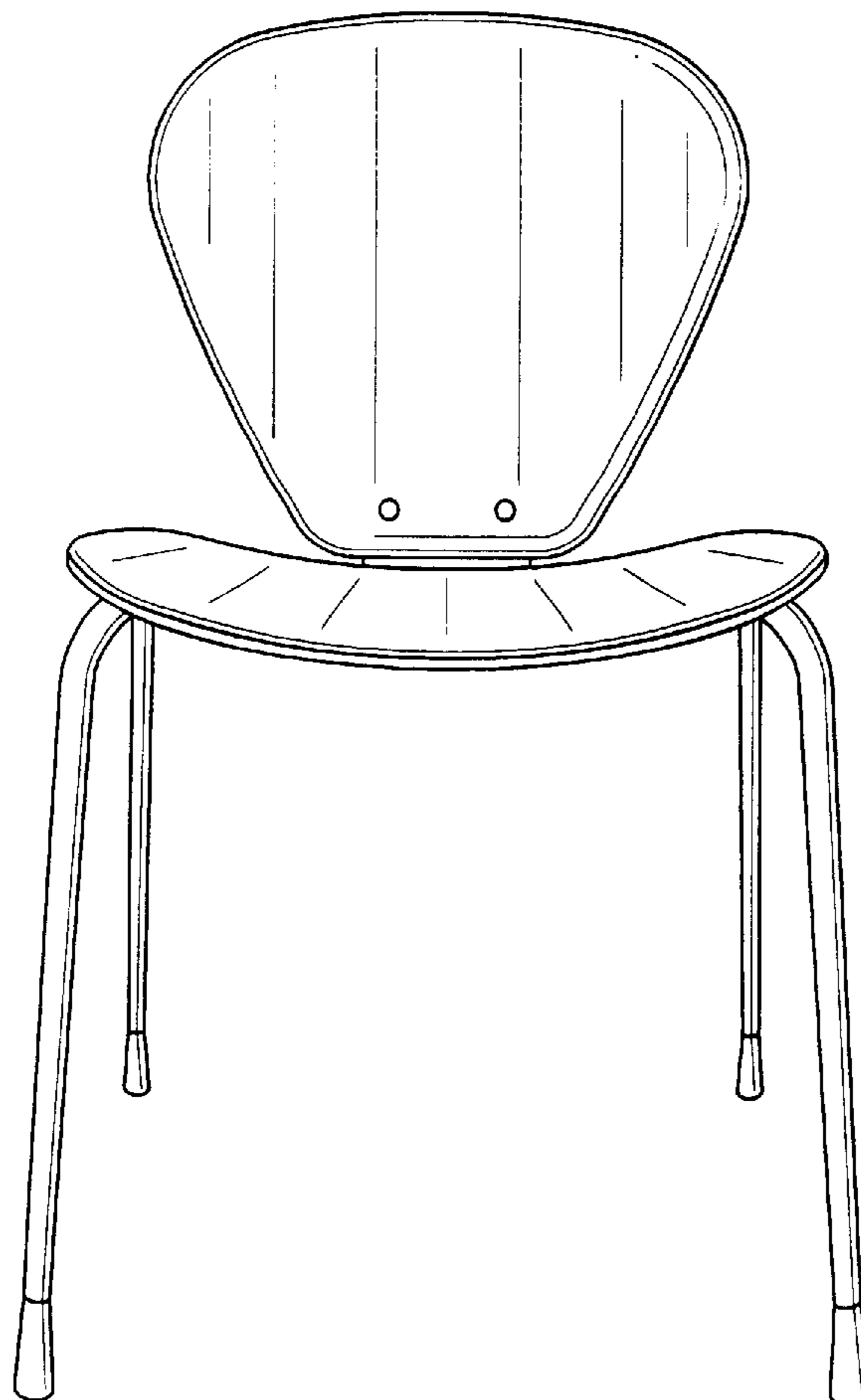
FIG. 2 is a top perspective view of the chair illustrated in FIG. 1;

FIG. 3 is a front view of the chair illustrated in FIG. 1;

FIG. 4 is a back view of the chair illustrated in FIG. 1; and,

FIG. 5 is a bottom perspective view of the chair illustrated in FIG. 1.

1 Claim, 3 Drawing Sheets



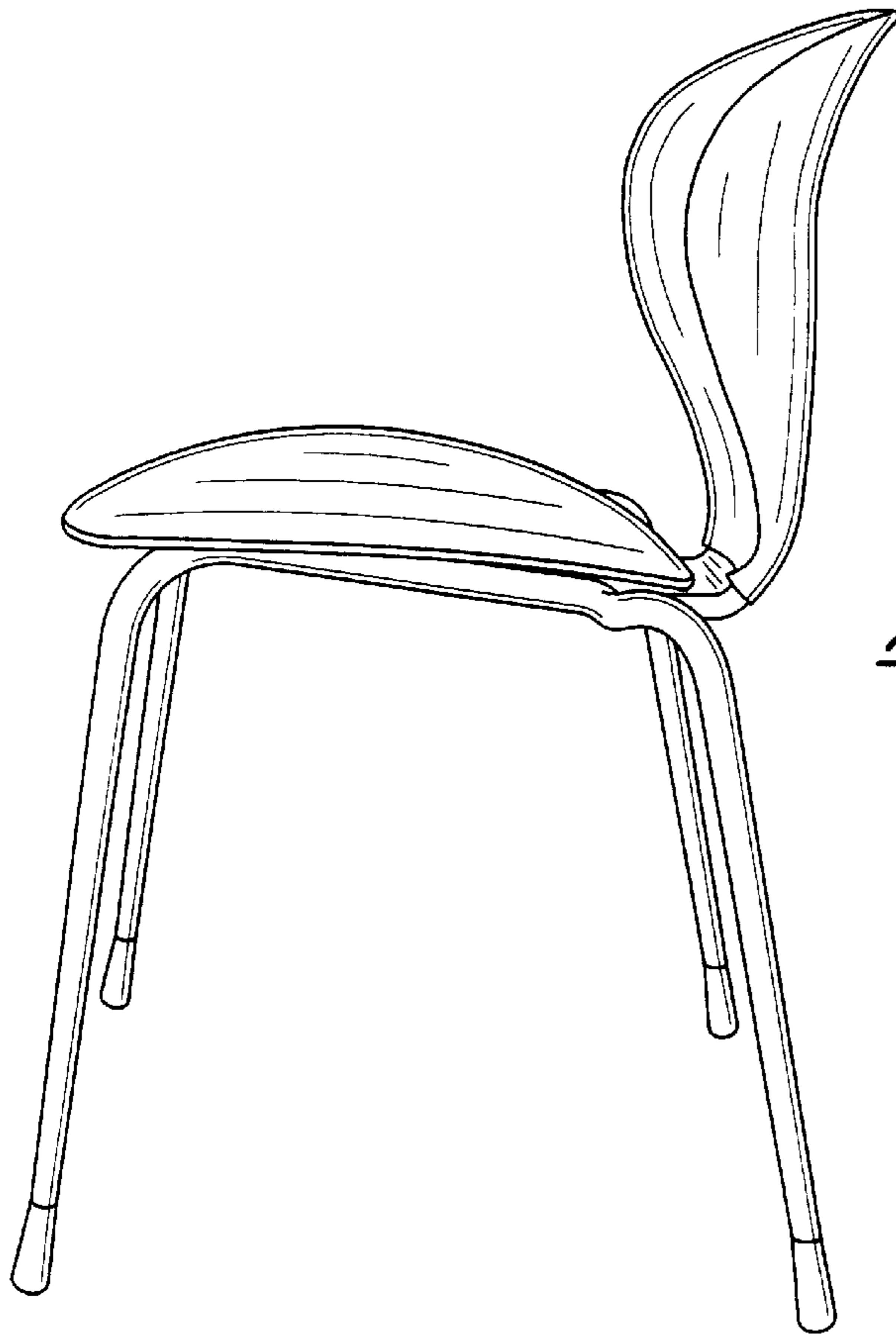


FIG. 1

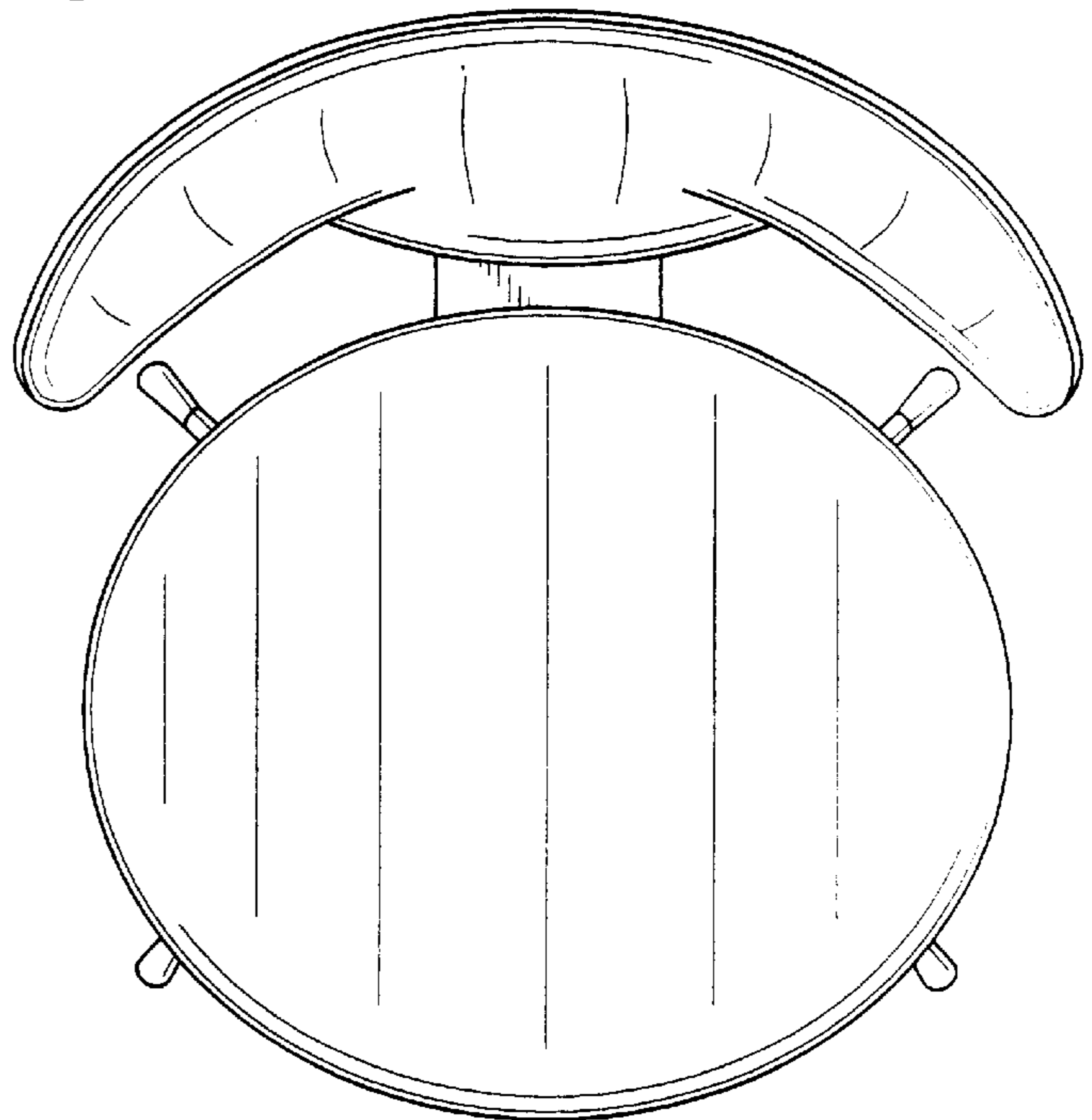


FIG. 2

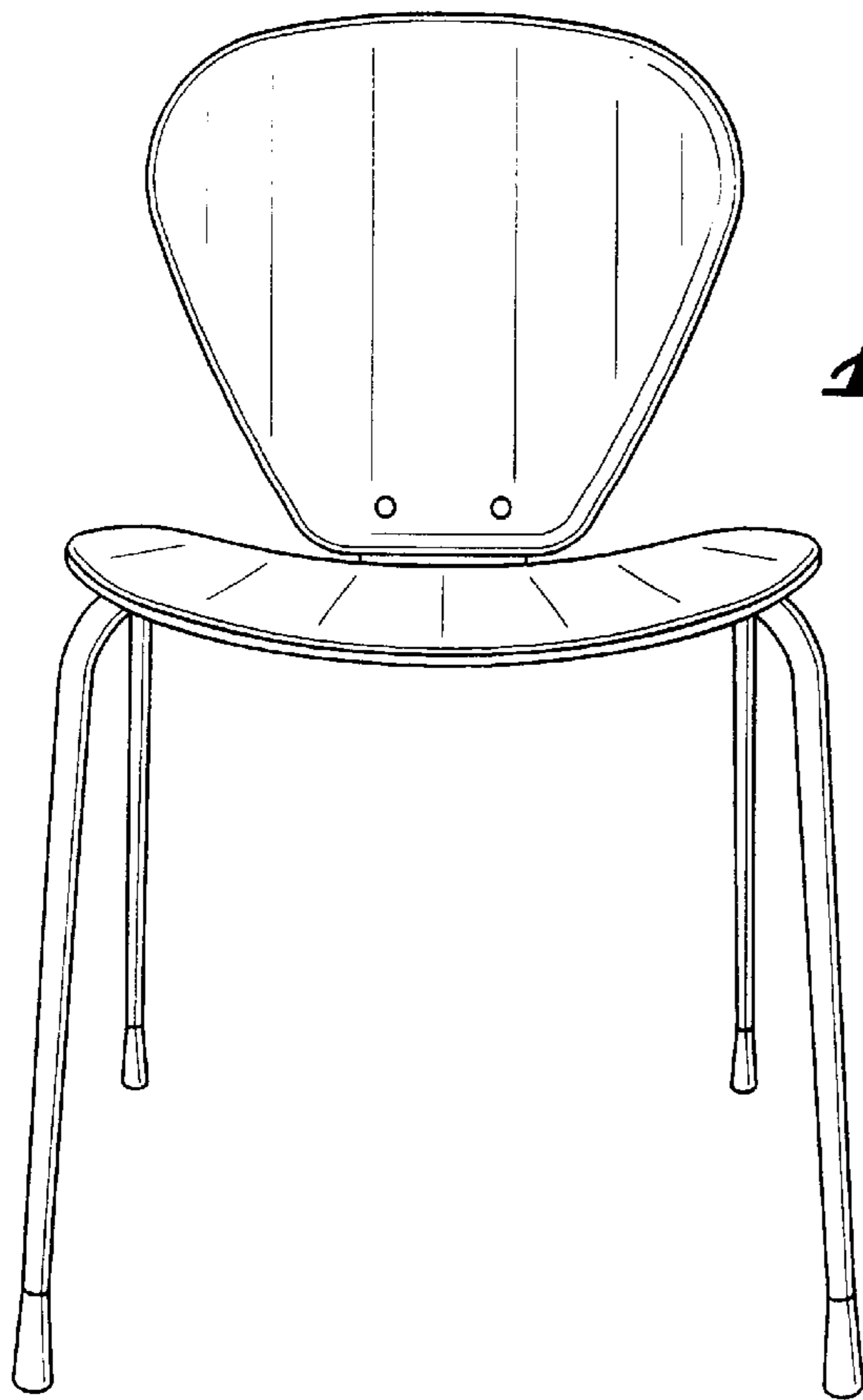


FIG. 3

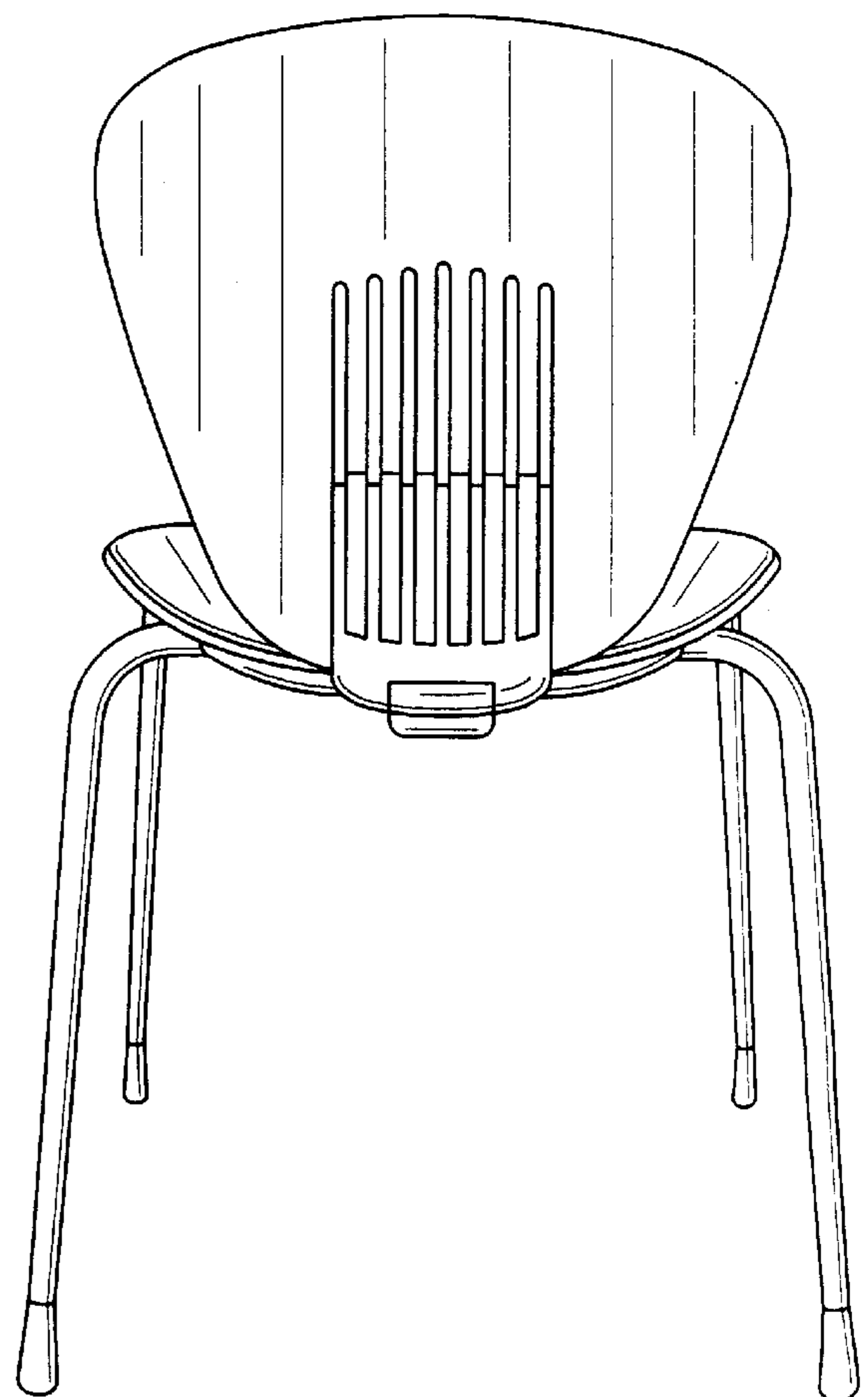


FIG. 4

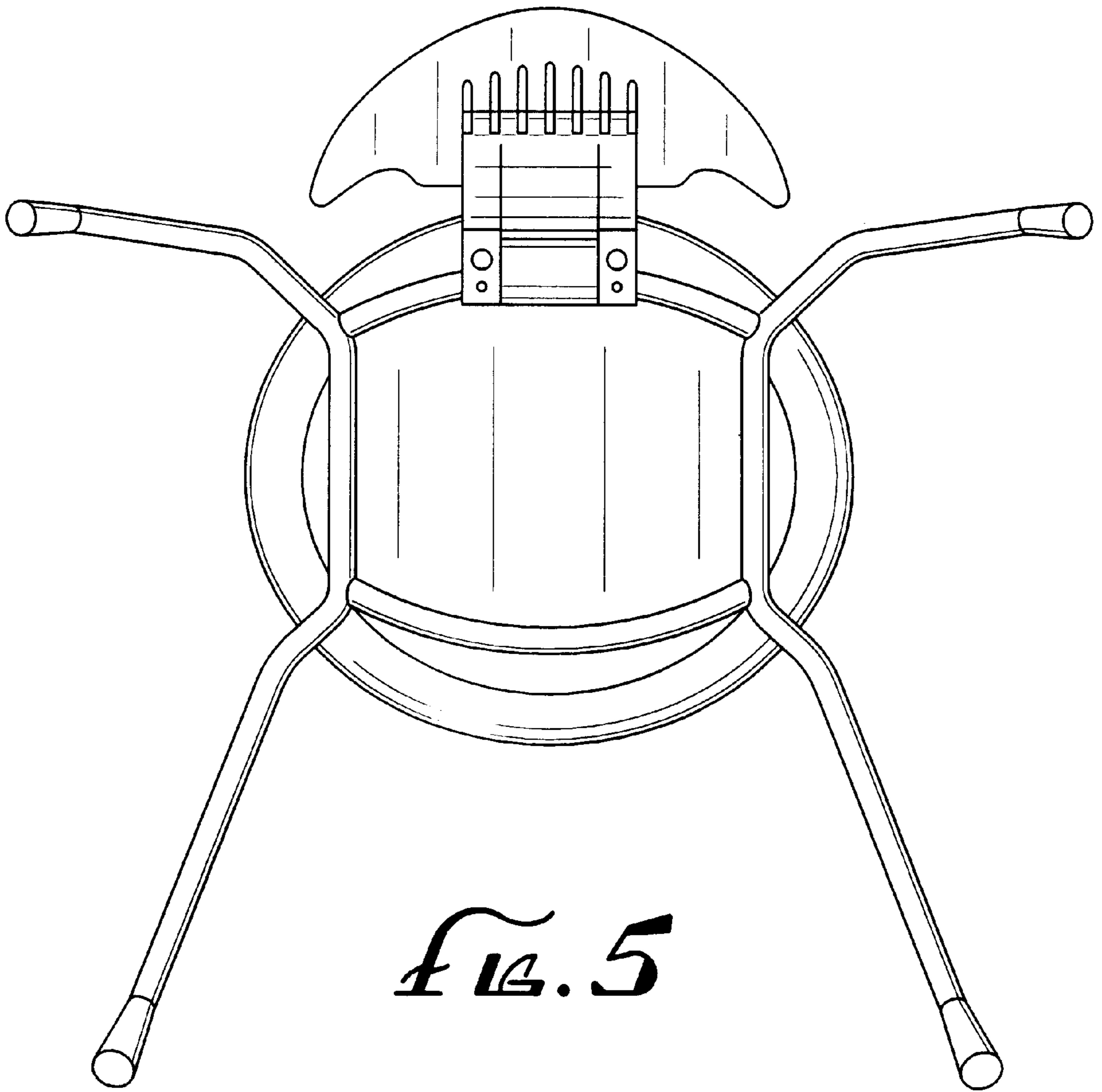


Fig. 5