



US00D441553S

(12) **United States Design Patent**  
**Ware, Sr.**

(10) **Patent No.:** **US D441,553 S**

(45) **Date of Patent:** **\*\* May 8, 2001**

(54) **COMBINATION ROCKING HORSE, DESK,  
AND HIGHCHAIR**

3,556,586 \* 1/1971 Beardmore ..... 297/3  
5,085,486 \* 2/1992 Johnson ..... 297/258.1  
5,531,502 \* 7/1996 Berggren ..... 297/271.5

(76) Inventor: **Earl Ware, Sr.**, 112 Channelside Dr.,  
Tampa, FL (US) 33602

\* cited by examiner

(\*\*) Term: **14 Years**

*Primary Examiner*—Doris V. Coles  
*Assistant Examiner*—Mimosa De

(21) Appl. No.: **29/126,698**

(57) **CLAIM**

(22) Filed: **Jul. 24, 2000**

The ornamental design for a combination rocking horse,  
desk, and highchair, as shown and described.

(51) **LOC (7) Cl.** ..... **06-01**

(52) **U.S. Cl.** ..... **D6/335; D6/336**

(58) **Field of Search** ..... D6/333, 334, 335,  
D6/336, 338, 339, 344, 348, 500-502;  
D21/412, 414; 297/118, 119, 131, 217.1,  
258.1, 271.5, 273, 1, 3

**DESCRIPTION**

(56) **References Cited**

**U.S. PATENT DOCUMENTS**

- D. 144,404 \* 4/1946 Marby ..... 297/3
- D. 147,581 \* 9/1947 Coulter ..... 297/3
- D. 147,873 \* 11/1947 Schneider ..... 297/271.5
- D. 248,516 \* 7/1978 Johansson ..... D6/335
- D. 357,128 \* 4/1995 Watson et al. .... D6/335
- D. 409,007 \* 5/1999 Osterweil-Glaz et al. .... D6/336
- 618,067 \* 1/1899 Diggs et al. .... 297/271.5
- 2,776,700 \* 1/1957 Porter et al. .... 297/3

FIG. 1 is a side elevational view of the new and improved  
combination rocking horse, desk, and highchair illustrating  
my new design.

FIG. 2 a front elevational view thereof;

FIG. 3 is a rear elevational view thereof;

FIG. 4 is a top view thereof;

FIG. 5 is a bottom view thereof;

FIG. 6 is a perspective illustration of my new design  
oriented in the rocking horse mode.

FIG. 7 is a perspective illustration of my new design  
oriented in the desk mode; and,

FIG. 8 is a perspective illustration of my new design  
oriented in the highchair mode.

**1 Claim, 3 Drawing Sheets**

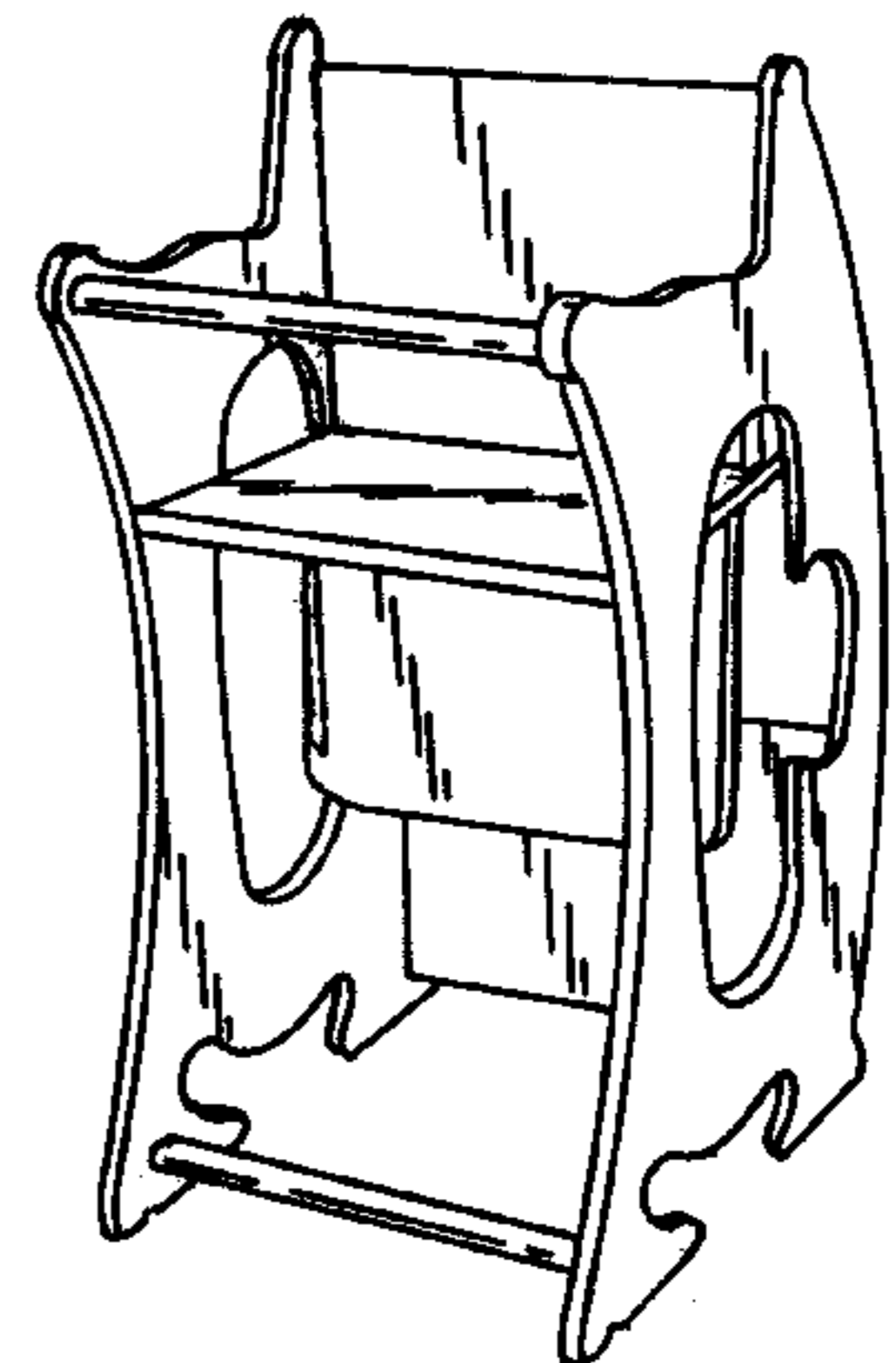
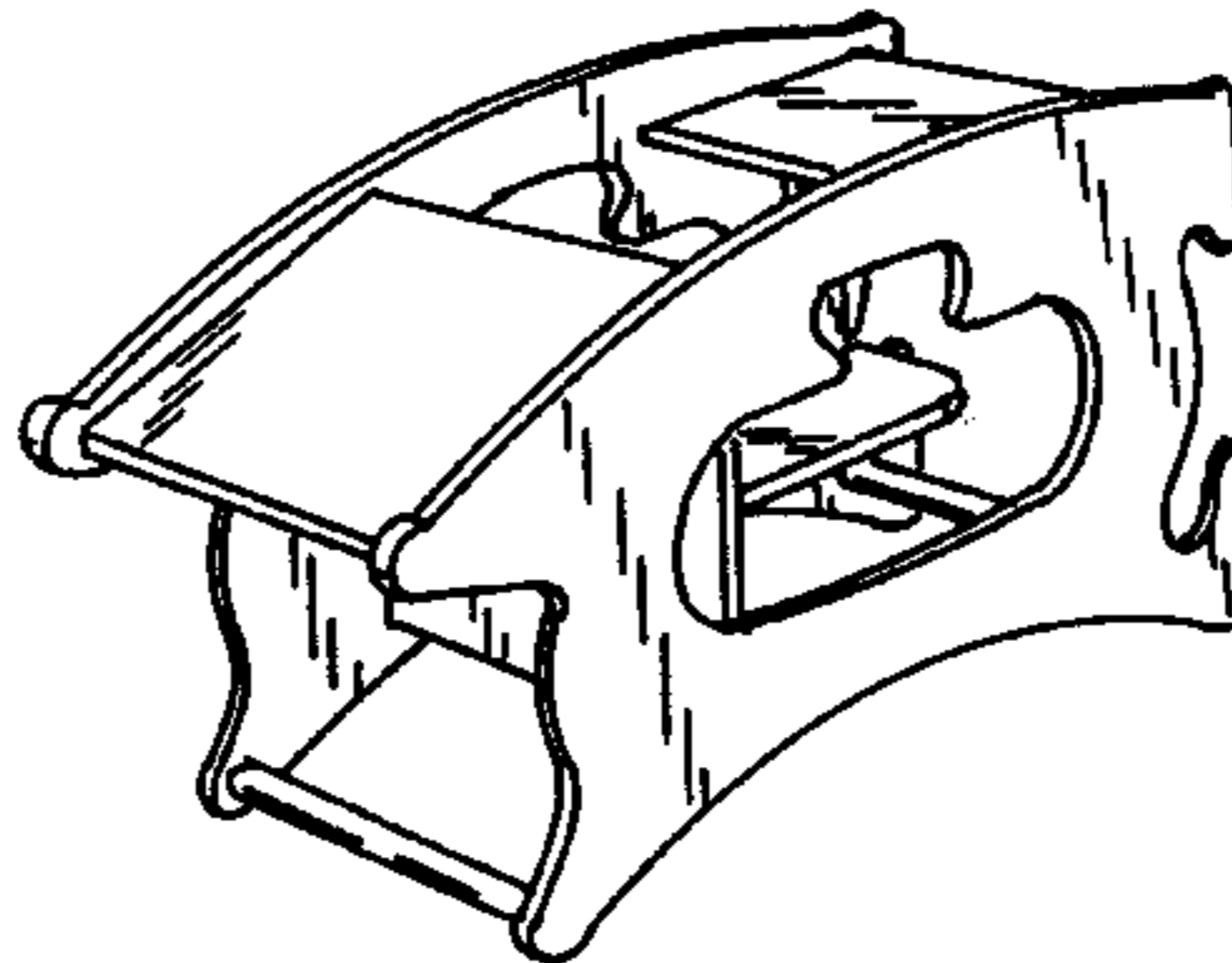
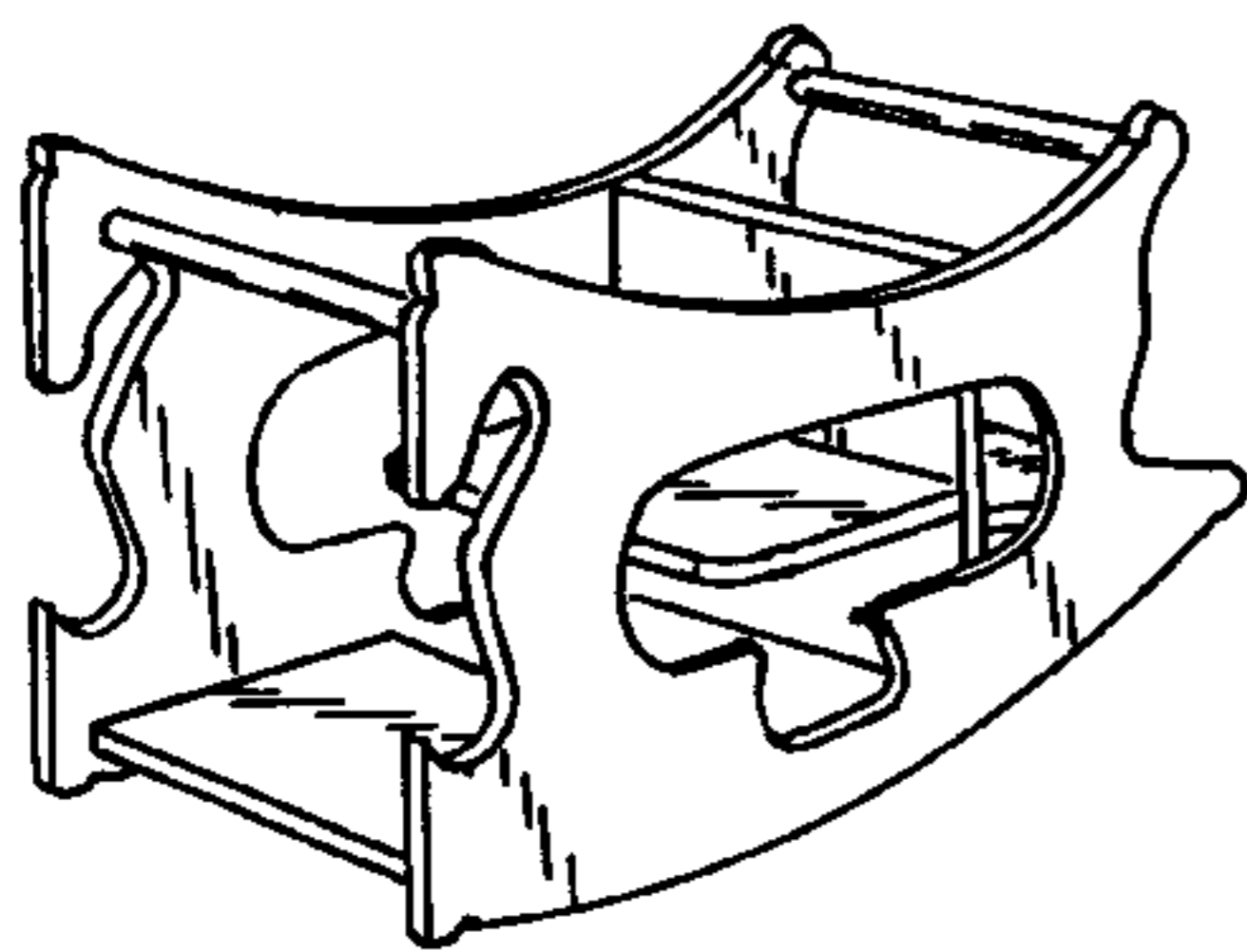


FIG 1

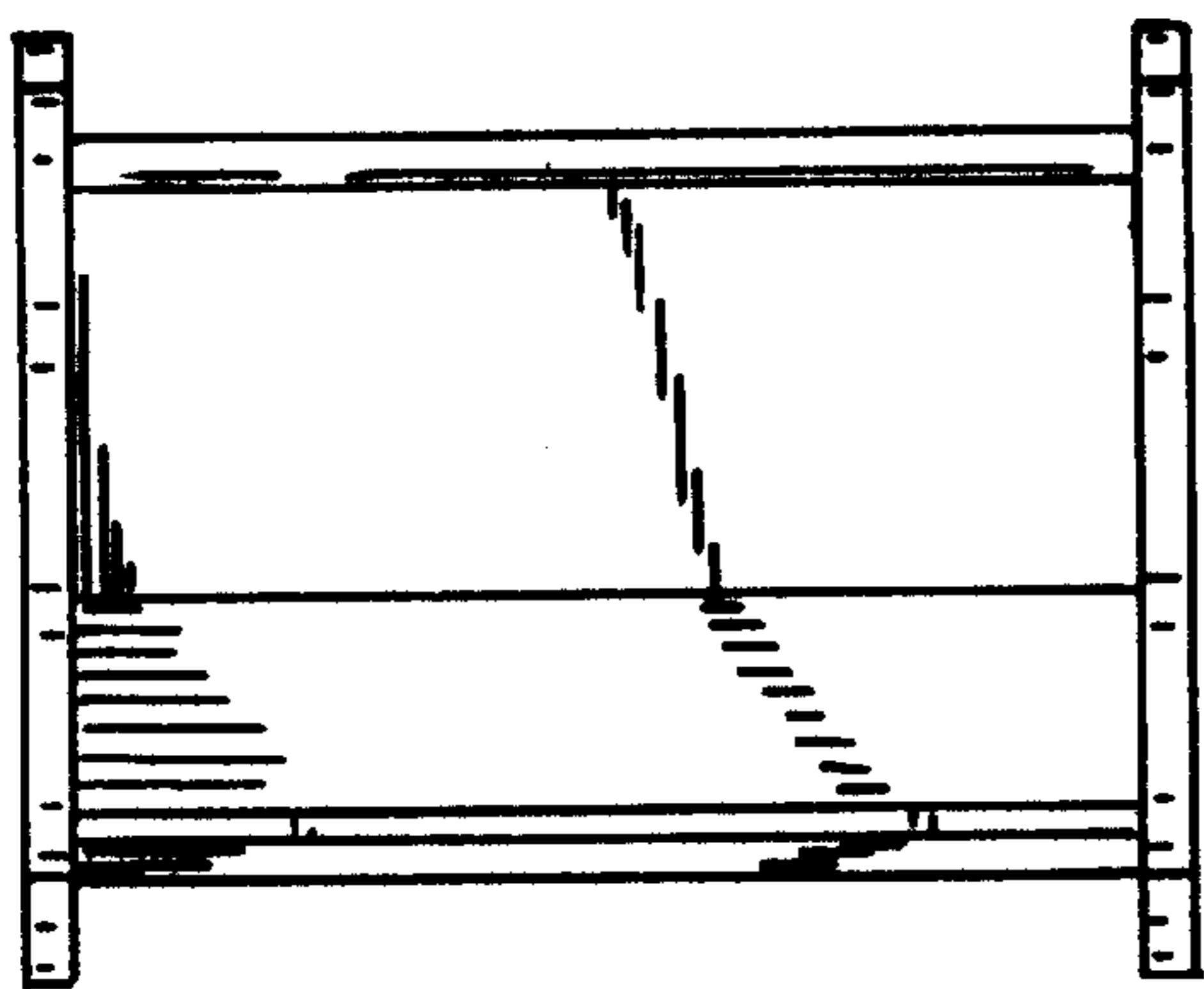
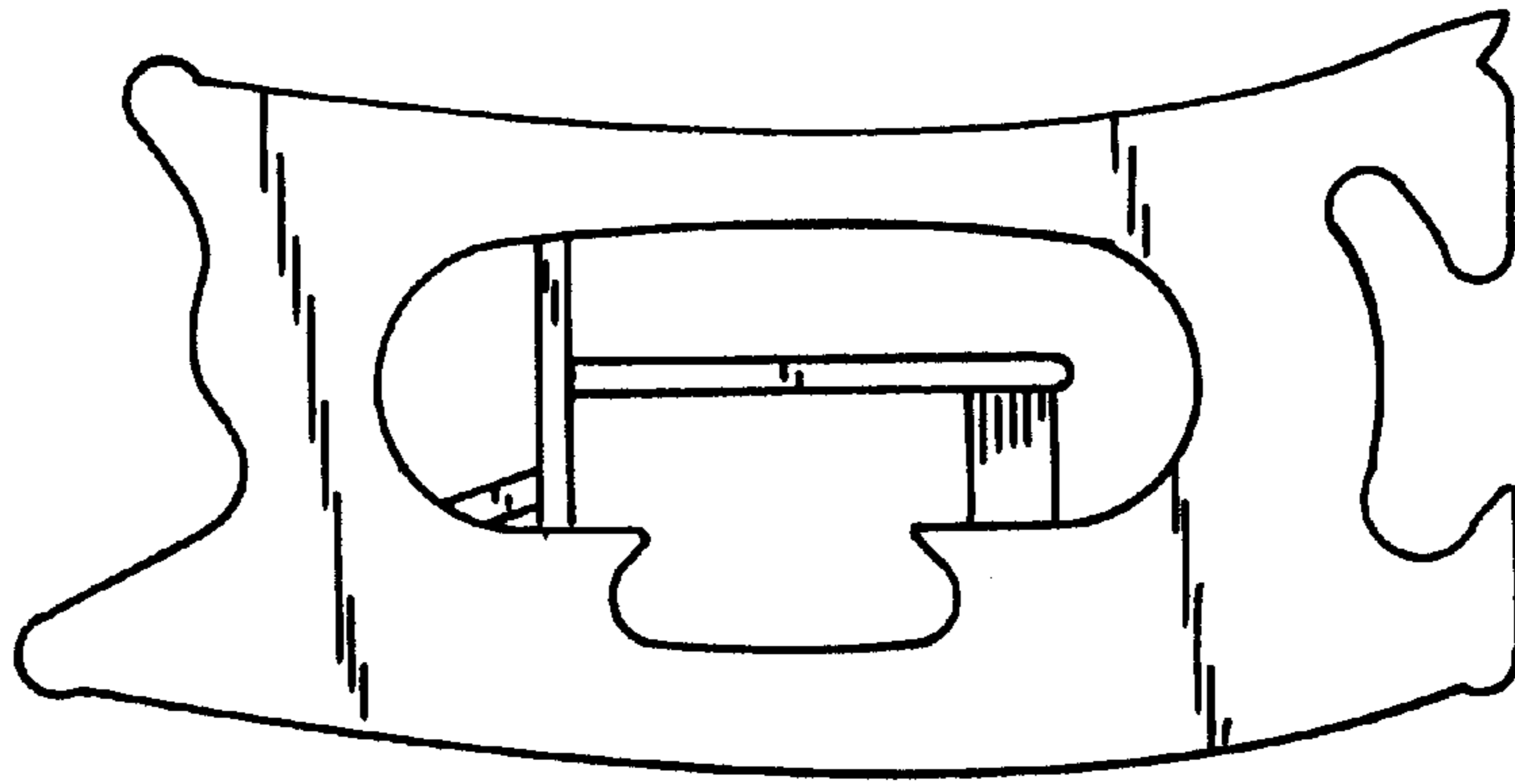


FIG 2

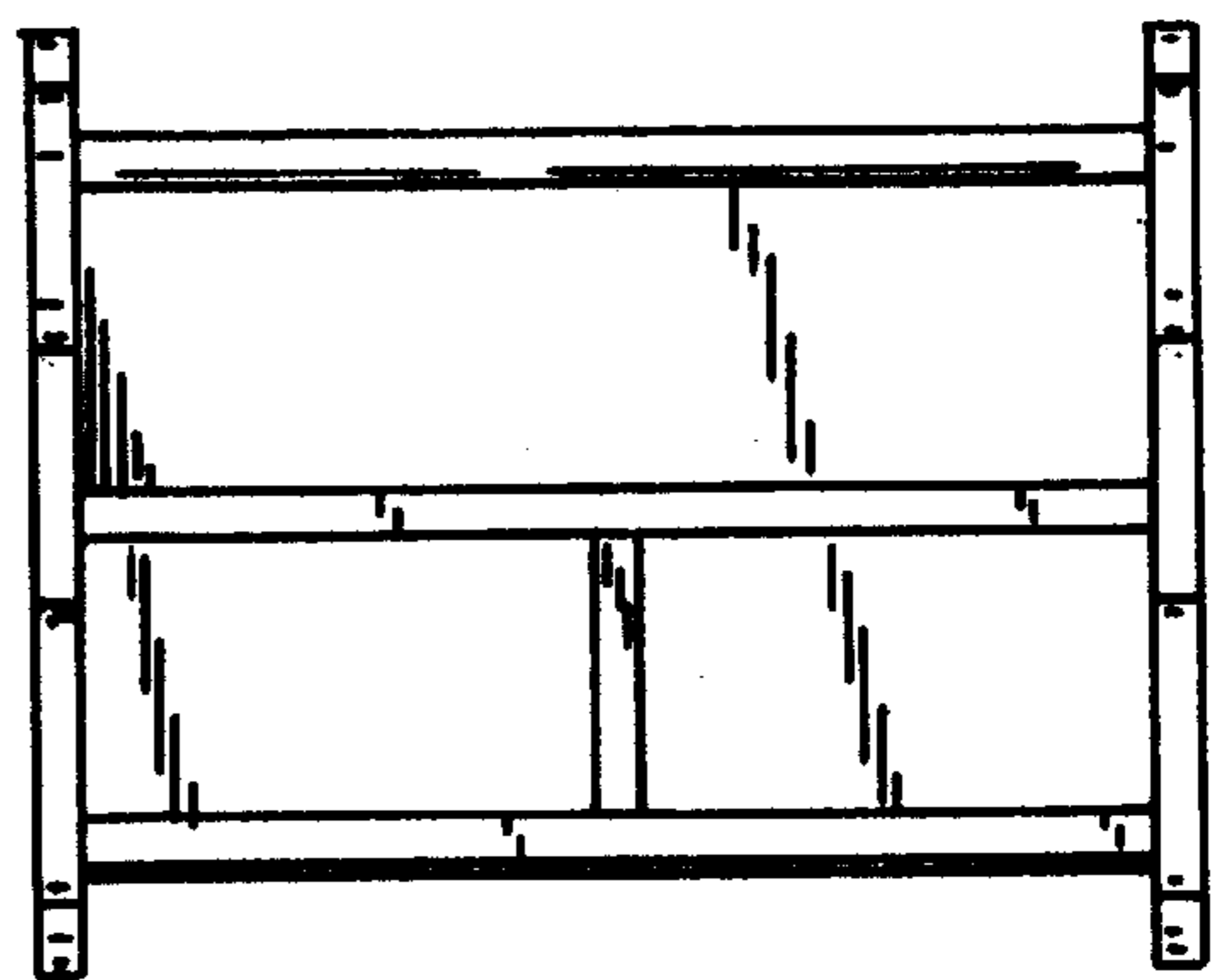


FIG 3

FIG 4

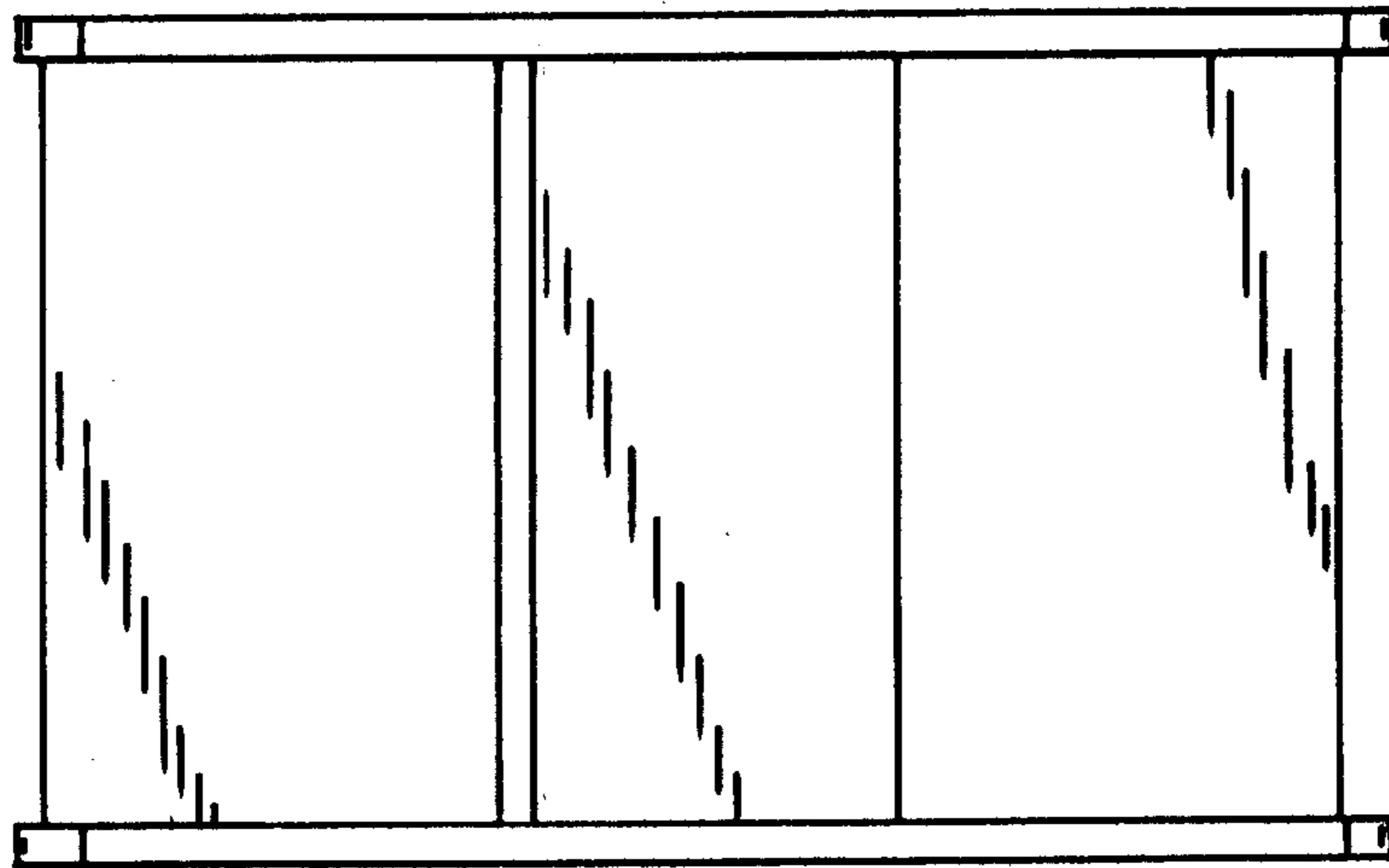
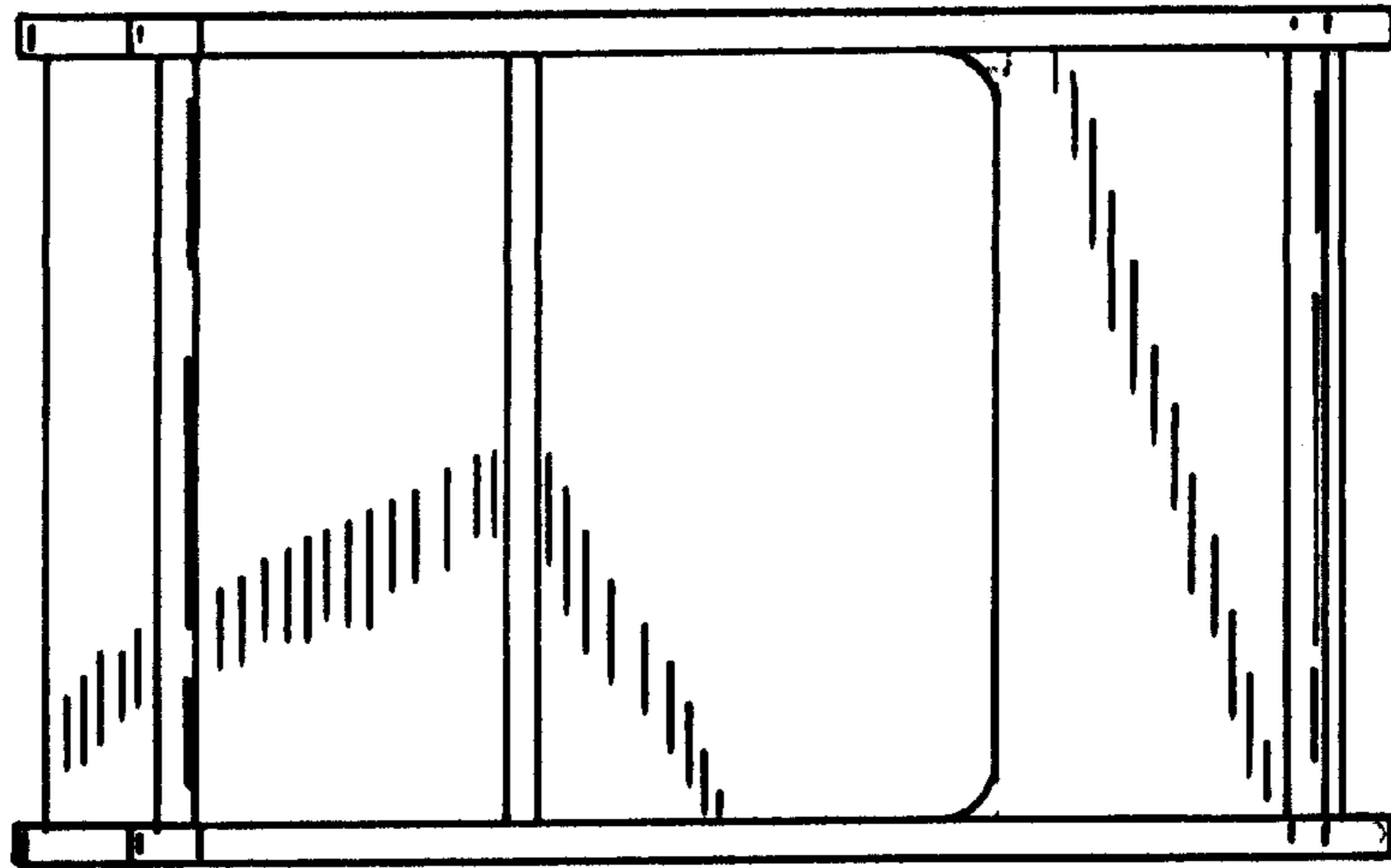


FIG 5

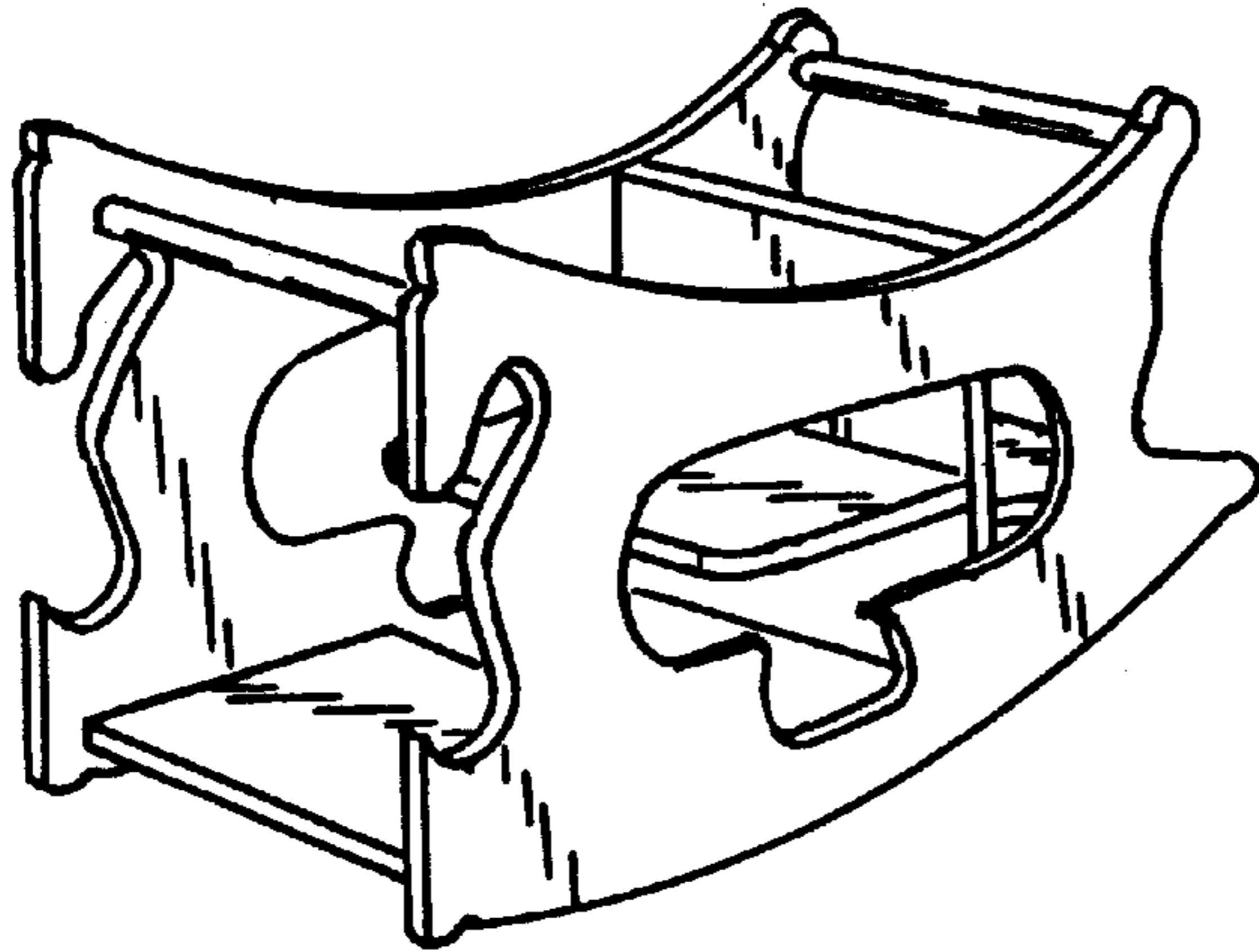


FIG 6

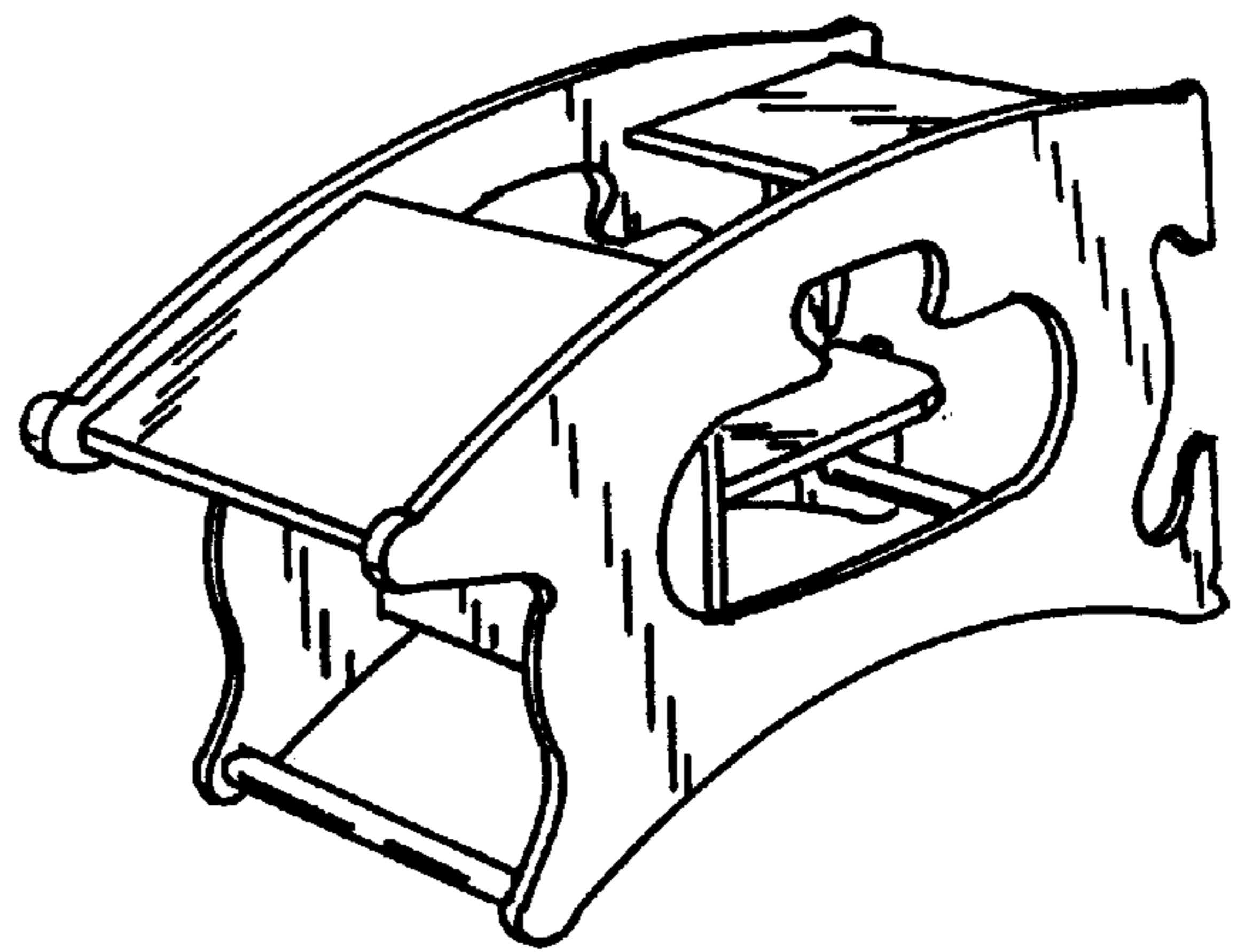


FIG 7

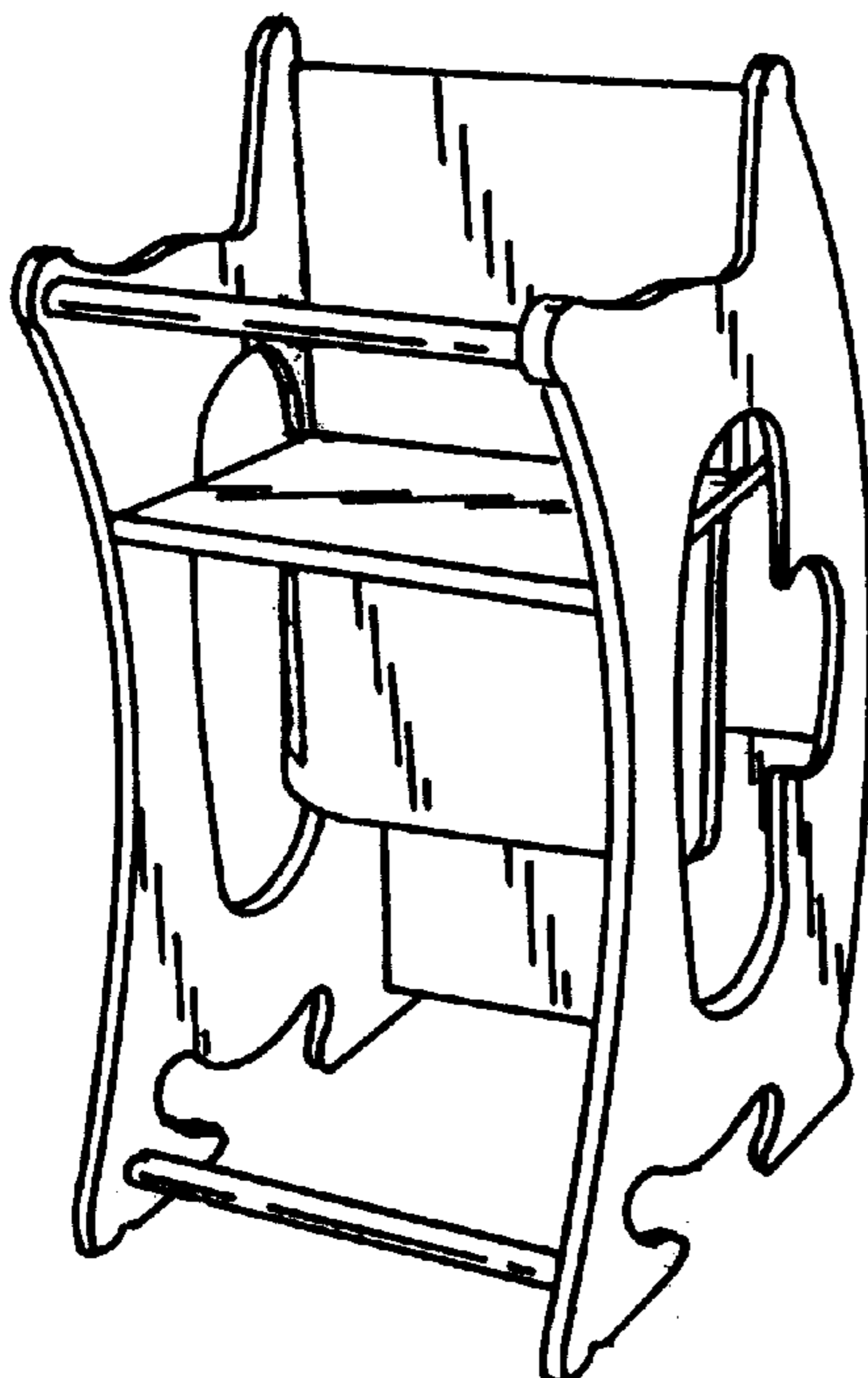


FIG 8