



US00D441549S

(12) **United States Design Patent**
Richter

(10) **Patent No.:** **US D441,549 S**

(45) **Date of Patent:** **** May 8, 2001**

(54) **CLOTHES HANGER**

(76) Inventor: **Herbert Richter**, Drosselweg 8, 75331
Engelbrand (DE)

(**) Term: **14 Years**

(21) Appl. No.: **29/129,061**

(22) Filed: **Sep. 2, 2000**

(51) **LOC (7) Cl.** **06-08**

(52) **U.S. Cl.** **D6/318**

(58) **Field of Search** D6/317-320; 211/113,
211/119; 223/85, 88, 91, 92, 94; 224/275,
313, 555, 558, 572, DIG. 927; 88/372

(56) **References Cited**

U.S. PATENT DOCUMENTS

- D. 218,494 * 8/1970 Leichter D6/318
- D. 270,884 * 10/1983 Tavela D6/318
- D. 296,958 * 8/1988 Dallaire et al. D6/317
- D. 317,858 * 7/1991 Hoskinson et al. 88/372

- 4,957,230 * 9/1990 Gonzales 224/275
- 5,820,205 * 10/1998 Ammons 224/313
- 5,904,278 * 5/1999 Barlow et al. 223/85

* cited by examiner

Primary Examiner—B. J. Bullock

(74) *Attorney, Agent, or Firm*—Klaus J. Bach

(57) **CLAIM**

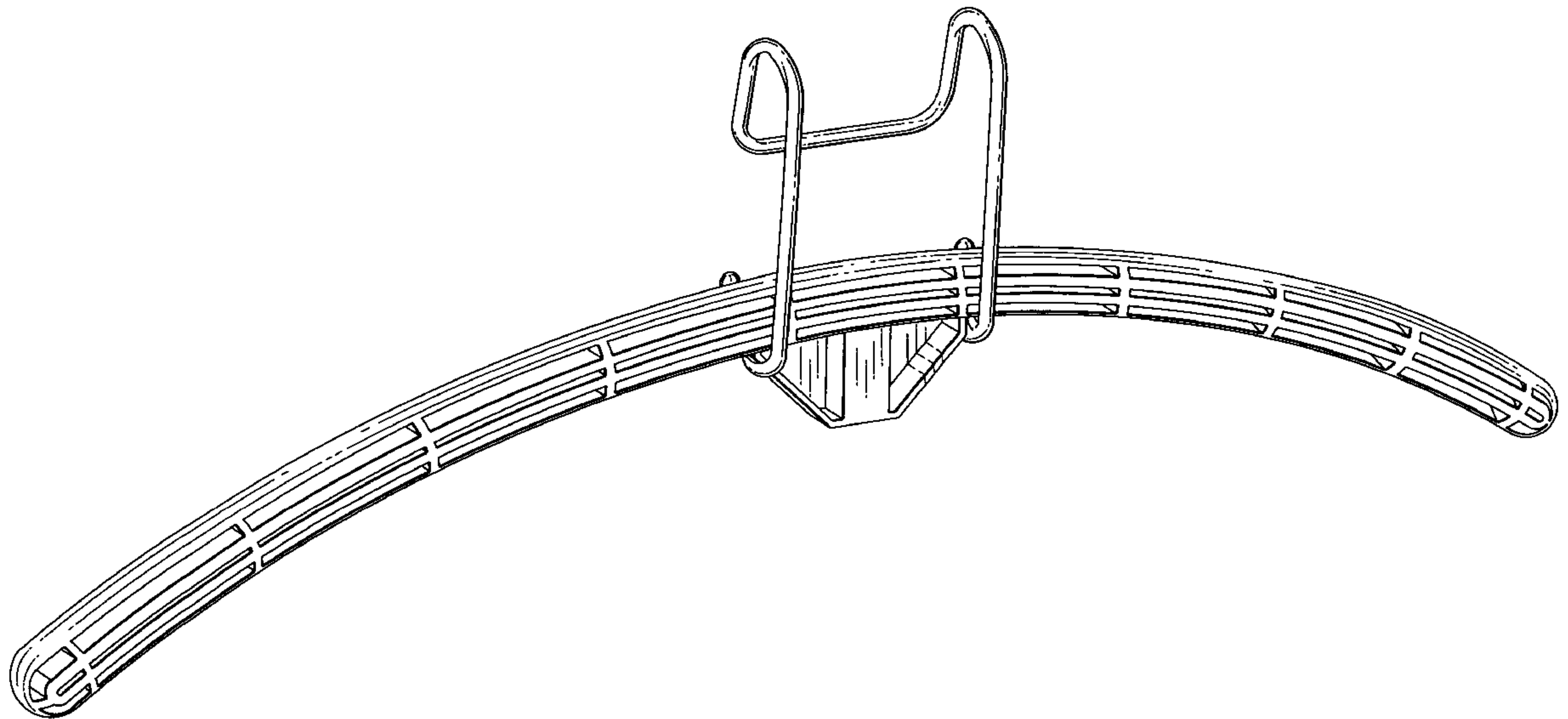
The ornamental design for a clothes hanger, as shown and described.

DESCRIPTION

FIG. 1 is a perspective view of a cloth hanger with a metal wire hook showing one side of the hanger, and, FIG. 2 is a perspective view of the cloth hanger showing the opposite side of the hanger.

The hanger is intended to be supported on the hand supports provided in many cars above the door frames. The wire hook can be rotated about the hanger body so that it extends inwardly for easy storage of the hanger.

1 Claim, 2 Drawing Sheets



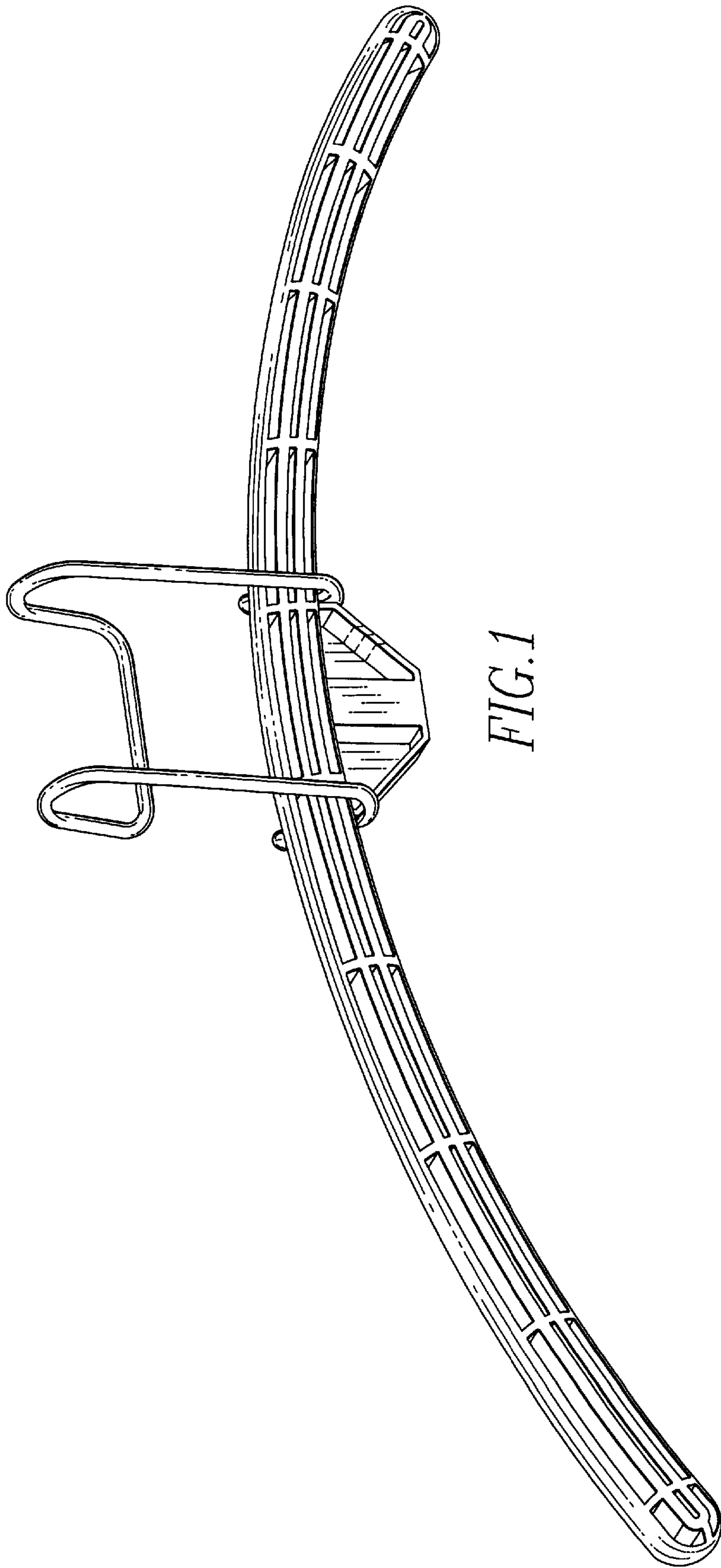


FIG. 1

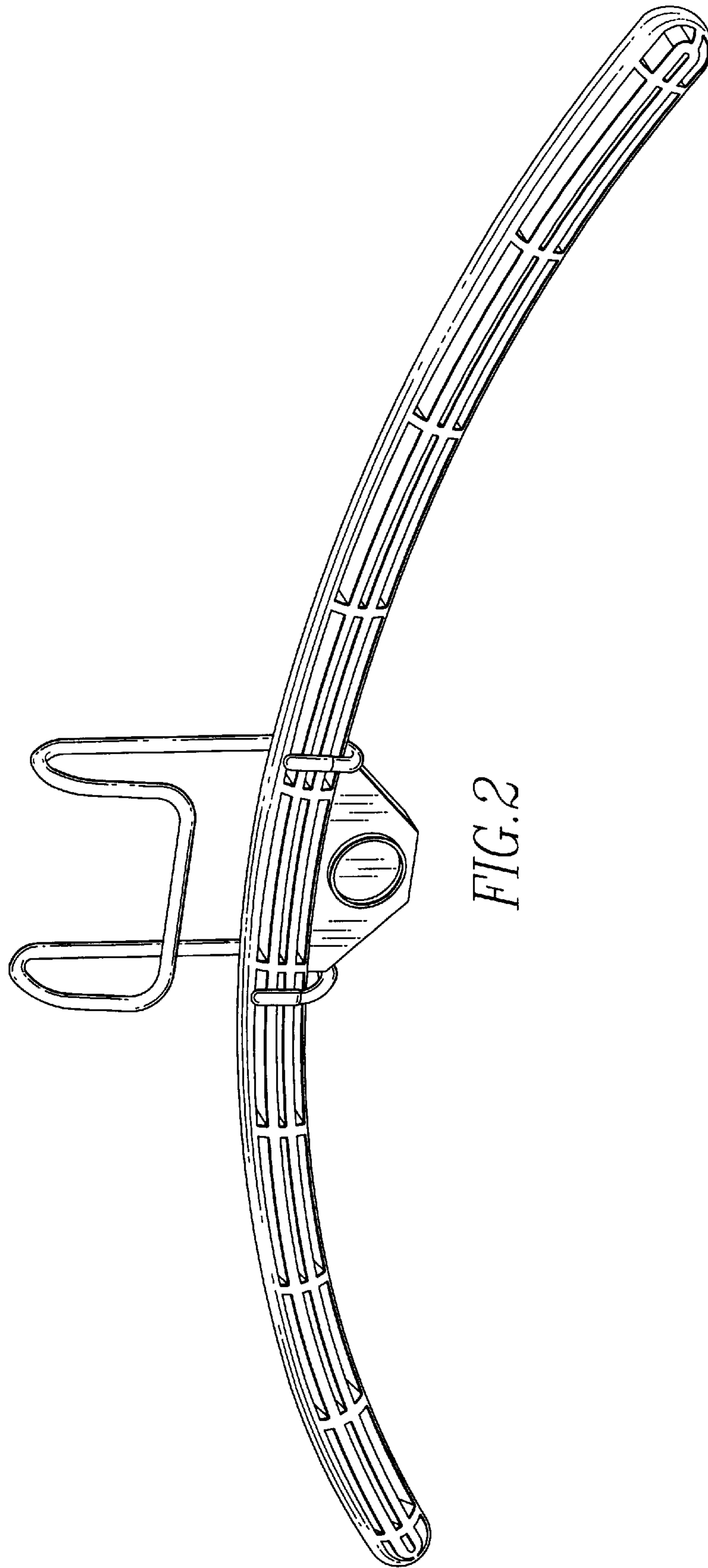


FIG. 2