



US00D441535S

(12) **United States Design Patent**
McCalla et al.

(10) **Patent No.:** **US D441,535 S**

(45) **Date of Patent:** **** May 8, 2001**

- (54) **CARRY HANDLE**
- (75) Inventors: **Gavin McCalla; Stephen R. Burns,**
both of Cumming, GA (US)
- (73) Assignee: **McCalla Company,** Alpharetta, GA
(US)
- (**) Term: **14 Years**
- (21) Appl. No.: **29/120,257**
- (22) Filed: **Mar. 16, 2000**
- (51) **LOC (7) Cl.** **03-01**
- (52) **U.S. Cl.** **D3/315; D34/28**
- (58) **Field of Search** **D8/300; D3/315;**
D34/28; 16/427, 428, 425; 294/149, 150,
157, 153, 154

5,240,300 *	8/1993	Ramsey	294/154
5,297,835	3/1994	Wengler	294/146
5,529,362	6/1996	Gidos	294/151
5,558,382	9/1996	Wengler	294/157
5,645,307	7/1997	Wengler	294/157
5,752,733	5/1998	Marshall	294/154
5,951,080 *	9/1999	Wessner	294/153

* cited by examiner

Primary Examiner—B. J. Bullock

(57) **CLAIM**

The new and ornamental design for a carry handle, as shown and described.

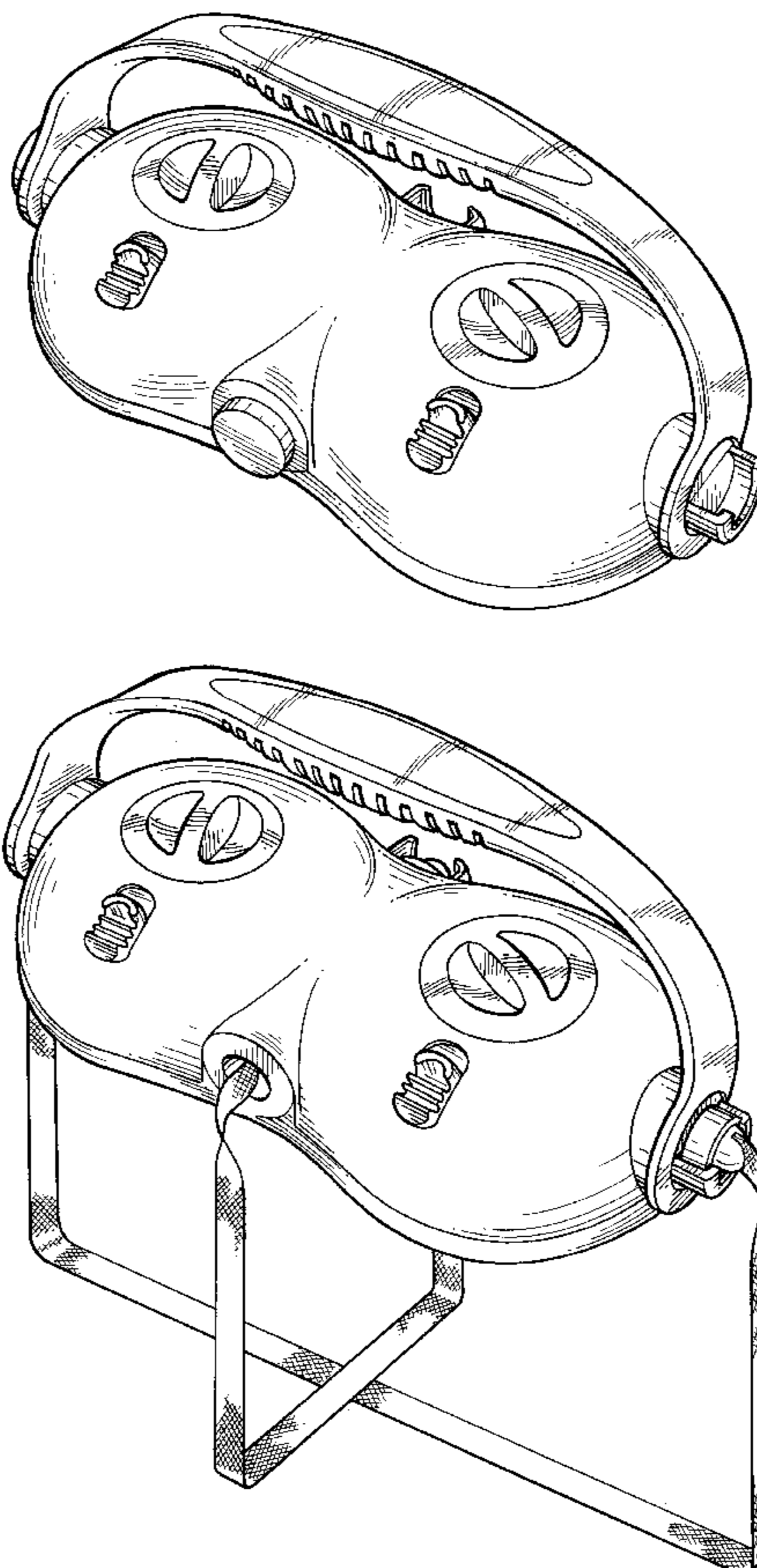
DESCRIPTION

- FIG. 1 is a perspective view of a carry handle of the present invention.
- FIG. 2 is a perspective view of the carry handle showing two straps in extended, operative positions.
- FIG. 3 is a front end view of FIG. 1.
- FIG. 4 is a left side elevational view of FIG. 1.
- FIG. 5 is a back end view of FIG. 1.
- FIG. 6 is a right side elevational view of FIG. 1.
- FIG. 7 is a top plan view of FIG. 1; and,
- FIG. 8 is a bottom plan view of FIG. 1.

(56) **References Cited**
U.S. PATENT DOCUMENTS

D. 339,516 *	9/1993	Prineppi	D3/315
504,307 *	8/1893	Roberts	.	
748,293 *	12/1903	LeFevre	.	
821,967 *	5/1906	Strauss	.	
4,828,310	5/1989	Schmidt, Jr. et al.	294/153
5,137,481	8/1992	Wengler	440/77
5,144,719	9/1992	Arthur	16/114

1 Claim, 5 Drawing Sheets



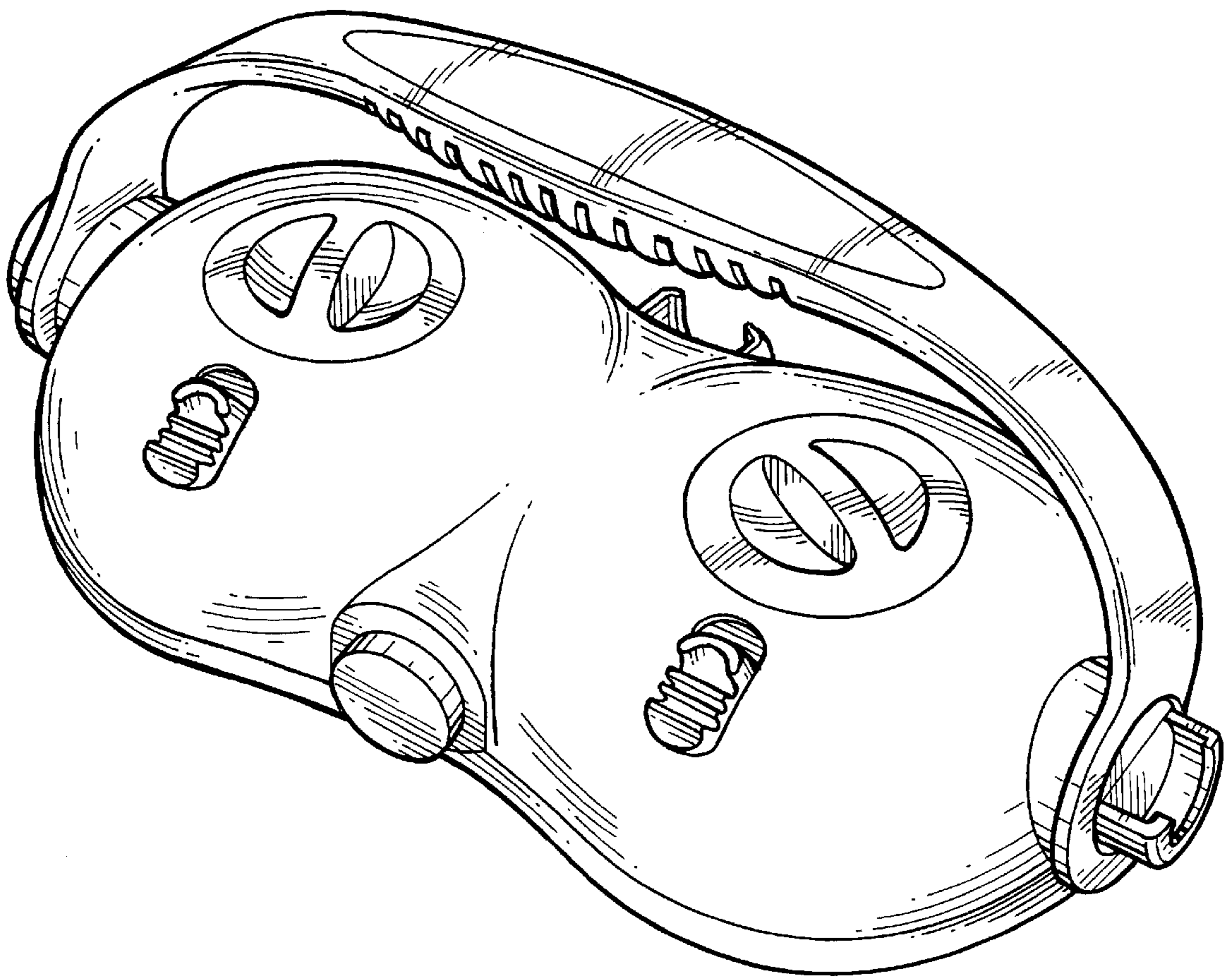


FIG. 1

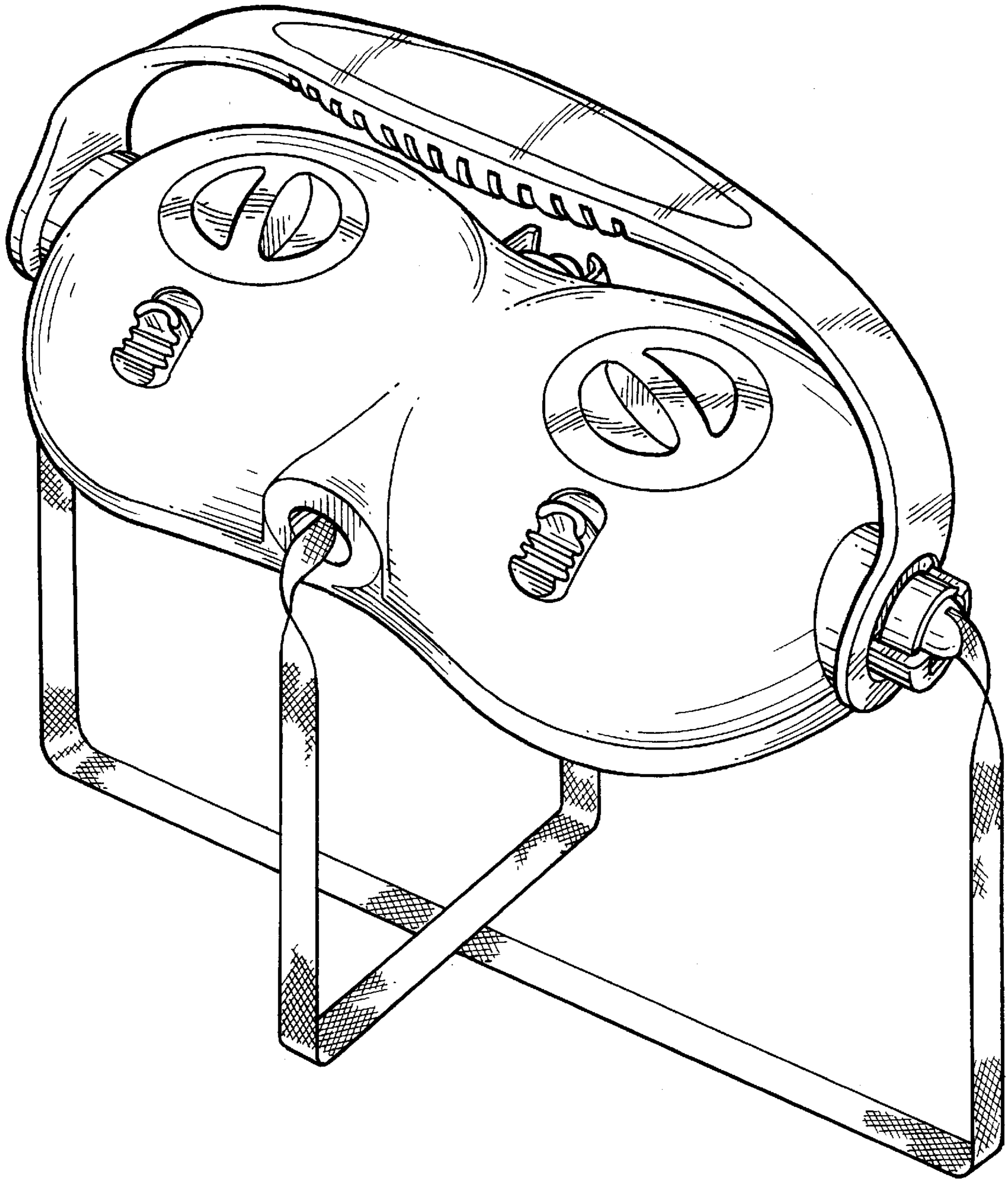


FIG. 2

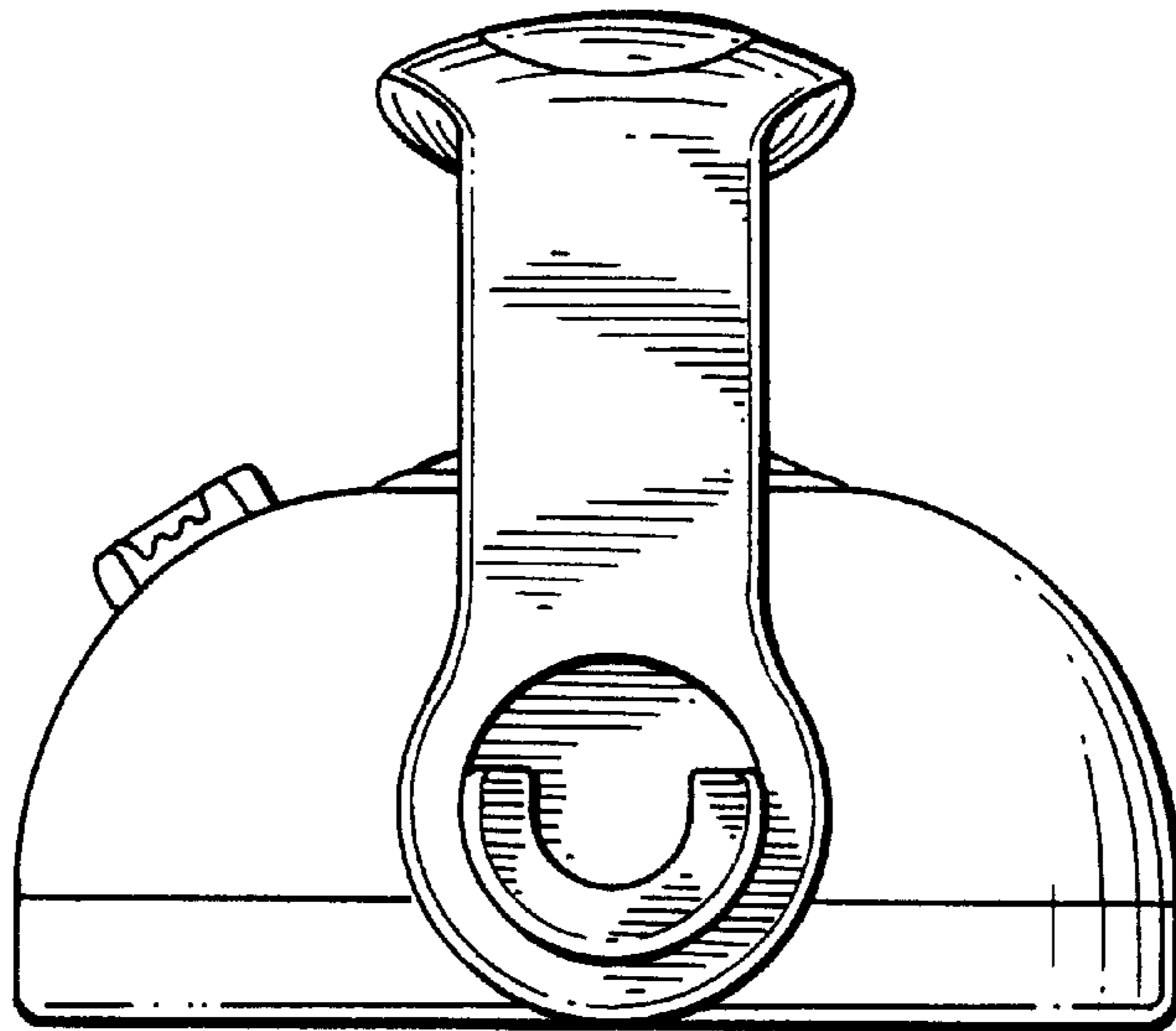


FIG. 3

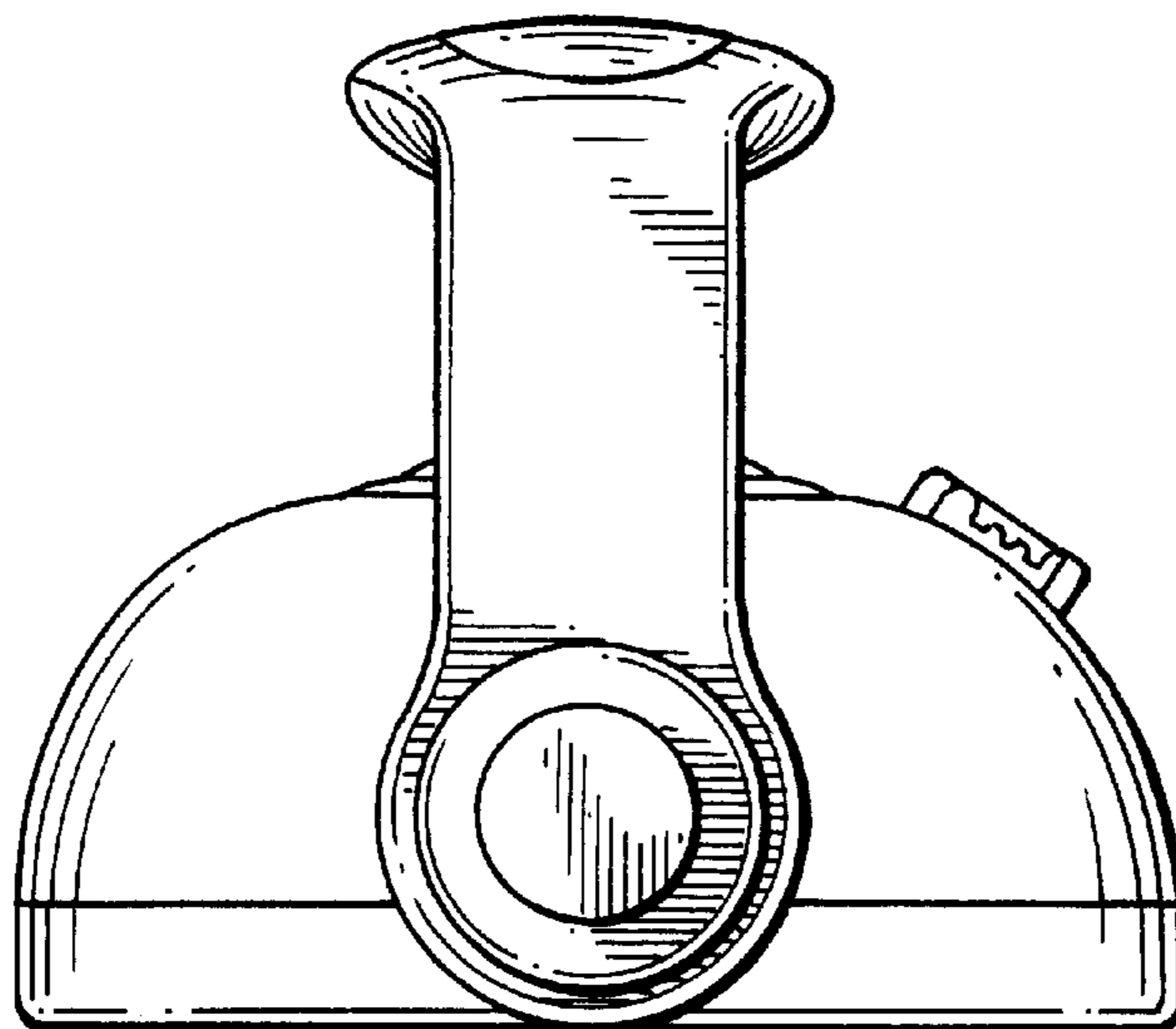


FIG. 5

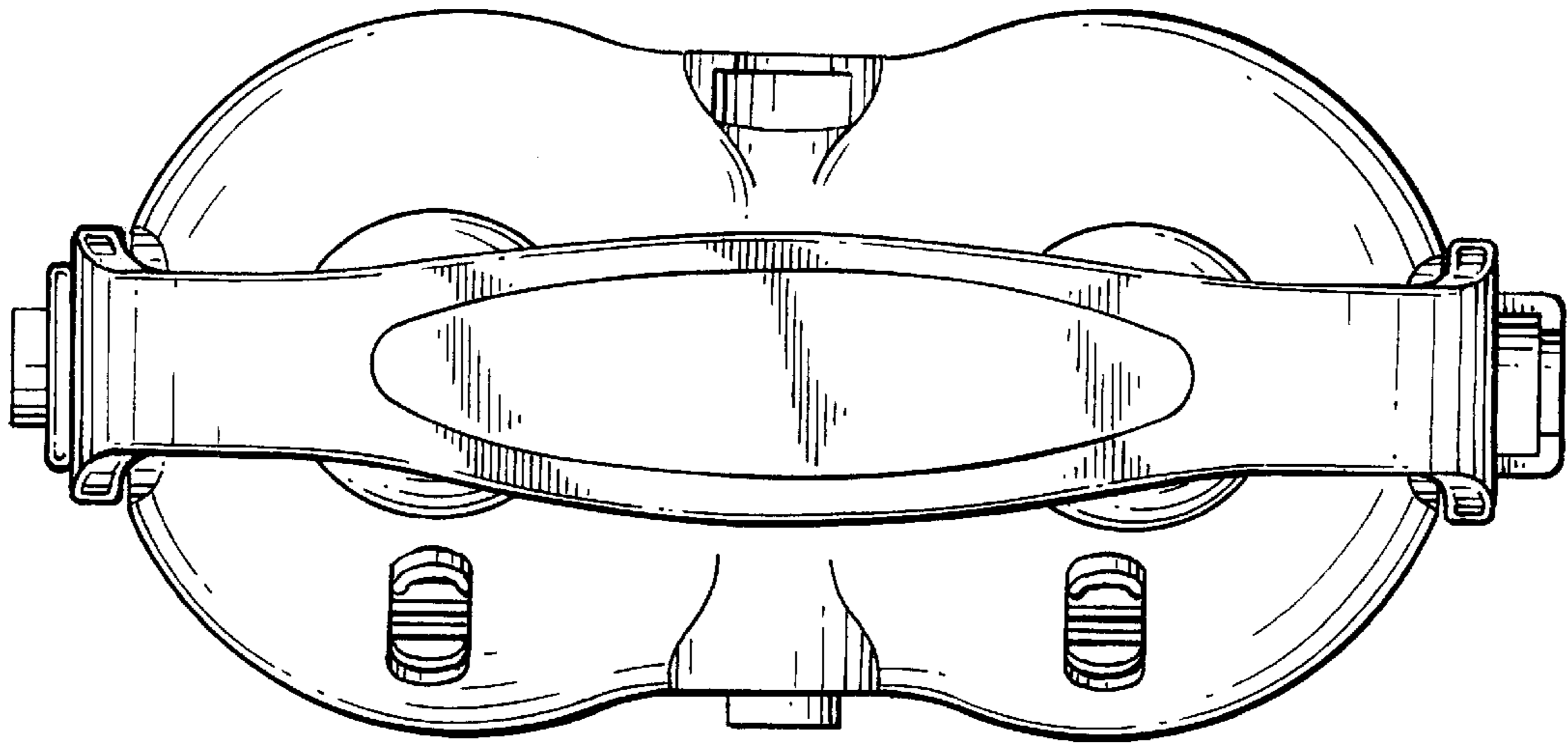


FIG. 7

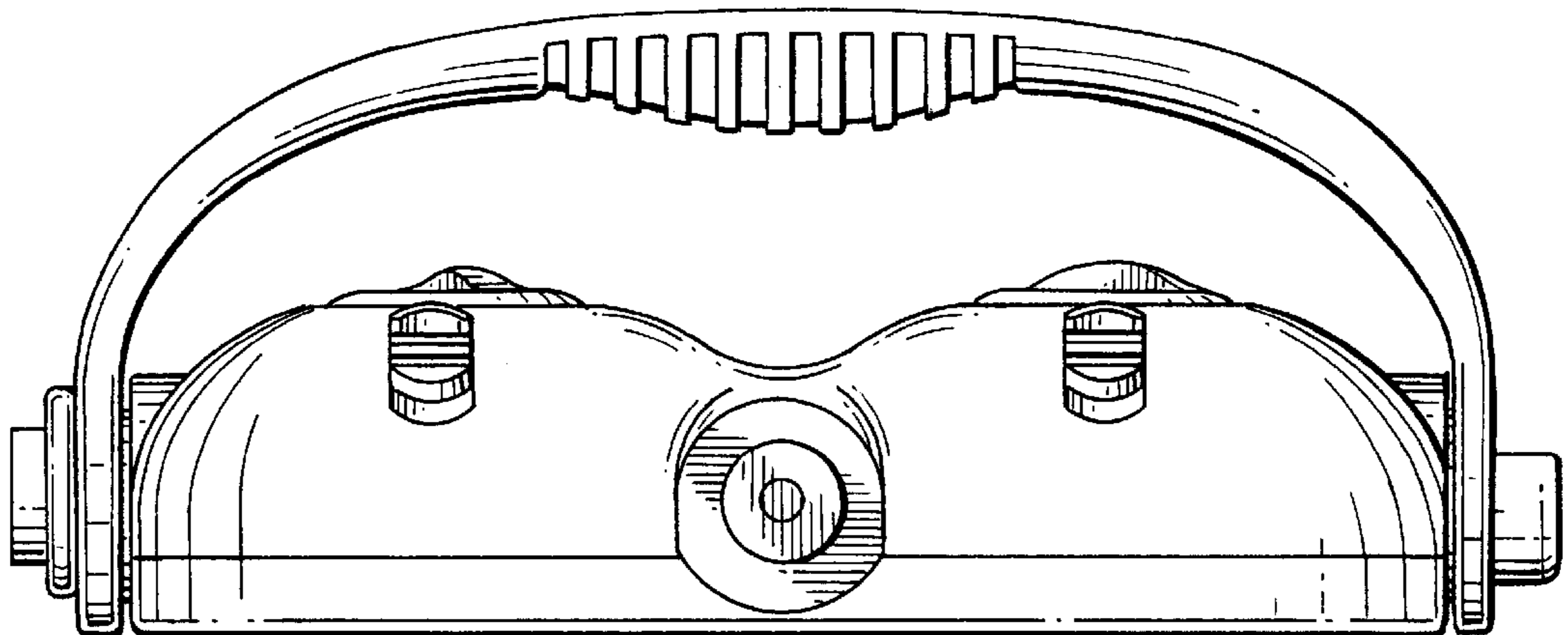


FIG. 4

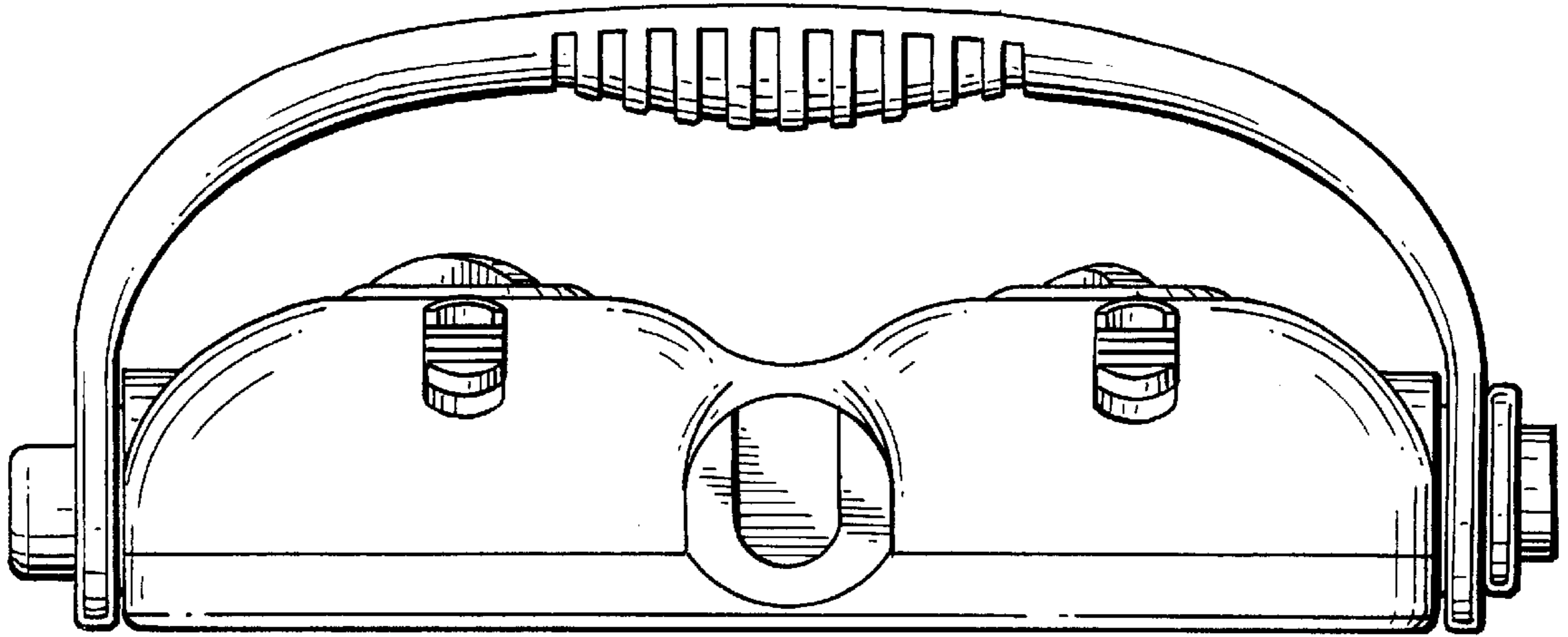


FIG. 6

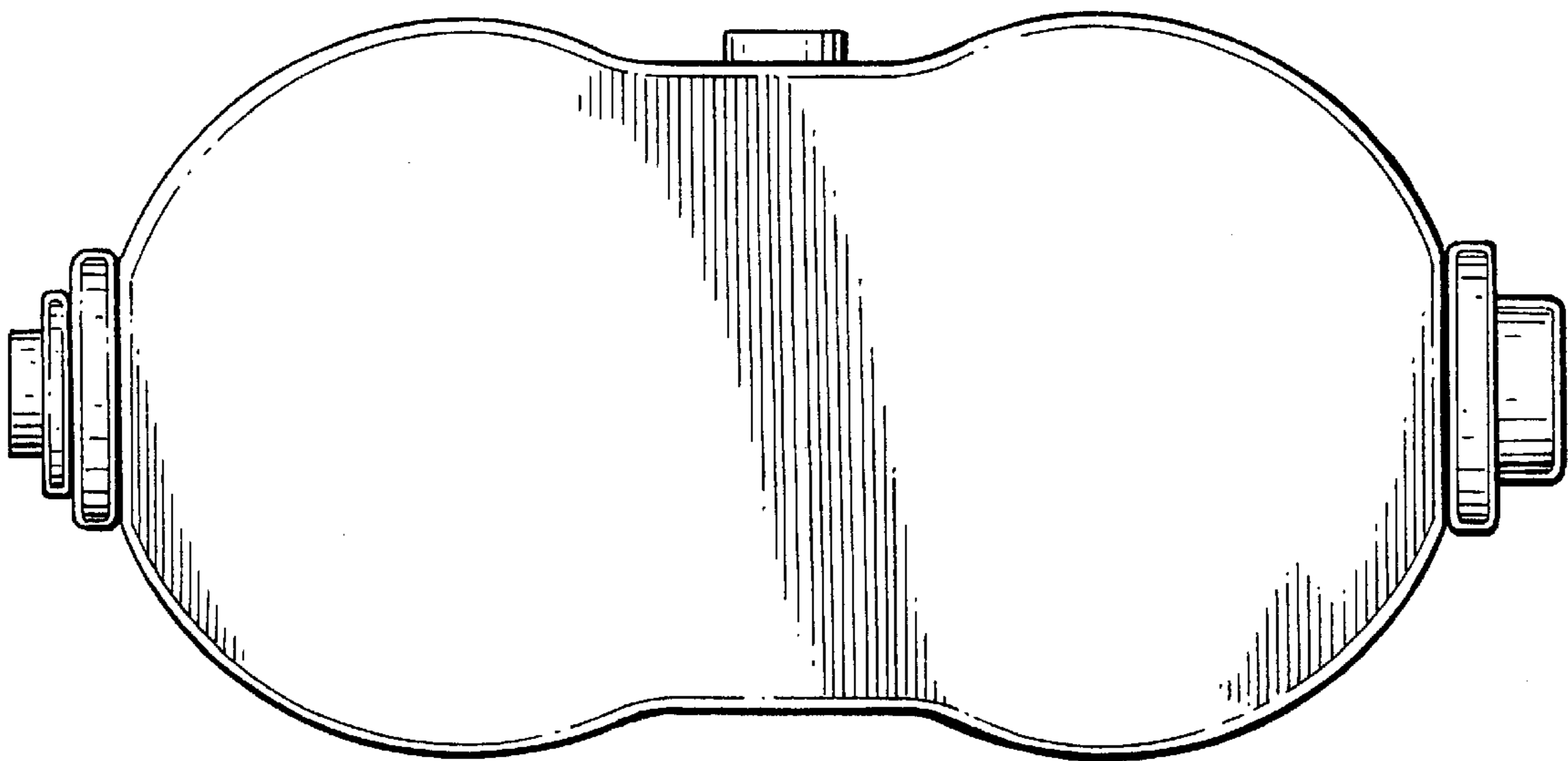


FIG. 8