



US00D441532S

(12) **United States Design Patent**
Nally

(10) **Patent No.:** **US D441,532 S**

(45) **Date of Patent:** **** May 8, 2001**

(54) **PRODUCT PACKAGING CRATE FOR SPORTING EQUIPMENT**

1,980,283 * 11/1934 Miller 217/40
2,121,905 * 6/1938 Day 217/40
4,070,788 * 1/1978 Richcreek 217/40

(75) Inventor: **Michael Nally**, Ridgewood, NJ (US)

* cited by examiner

(73) Assignee: **Sportcraft, Ltd.**, Mt. Olive, NJ (US)

Primary Examiner—Philip S. Hyder

(**) Term: **14 Years**

(74) *Attorney, Agent, or Firm*—Head, Johnson & Kachigian

(21) Appl. No.: **29/111,017**

(57) **CLAIM**

(22) Filed: **Sep. 21, 1999**

The ornamental design for a product packaging crate for sporting equipment, as shown and described.

(51) **LOC (7) Cl.** **03-01**

DESCRIPTION

(52) **U.S. Cl.** **D3/276; D3/273**

(58) **Field of Search** D3/272, 273, 276;
D9/420; 217/5, 36, 40; 190/100, 110, 111;
206/315.1

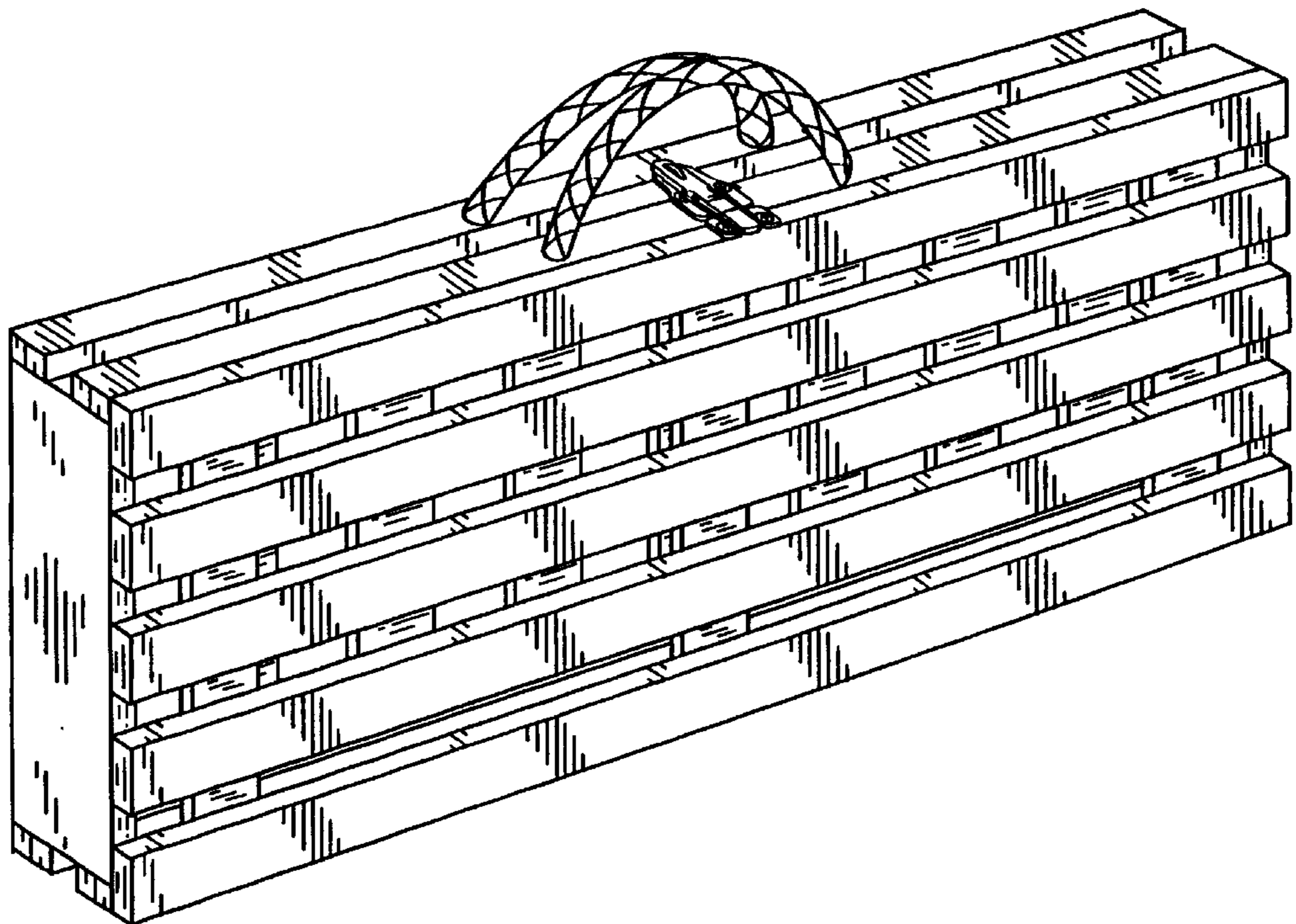
FIG. 1 is a left front perspective view of a product packaging crate for sporting equipment showing my new design 1;
FIG. 2 is a right perspective view thereof;
FIG. 3 is a top plan view thereof;
FIG. 4 is a bottom plan view thereof;
FIG. 5 is a right side elevational view thereof;
FIG. 6 is a left side elevational view thereof;
FIG. 7 is a rear view thereof; and,
FIG. 8 is a front view thereof.

(56) **References Cited**

U.S. PATENT DOCUMENTS

175,464 * 3/1876 Hughes 217/40
D. 253,203 * 10/1979 Hatcher D3/272
D. 309,104 * 7/1990 Solomon D9/420
1,748,825 * 2/1930 Bell 217/40

1 Claim, 5 Drawing Sheets



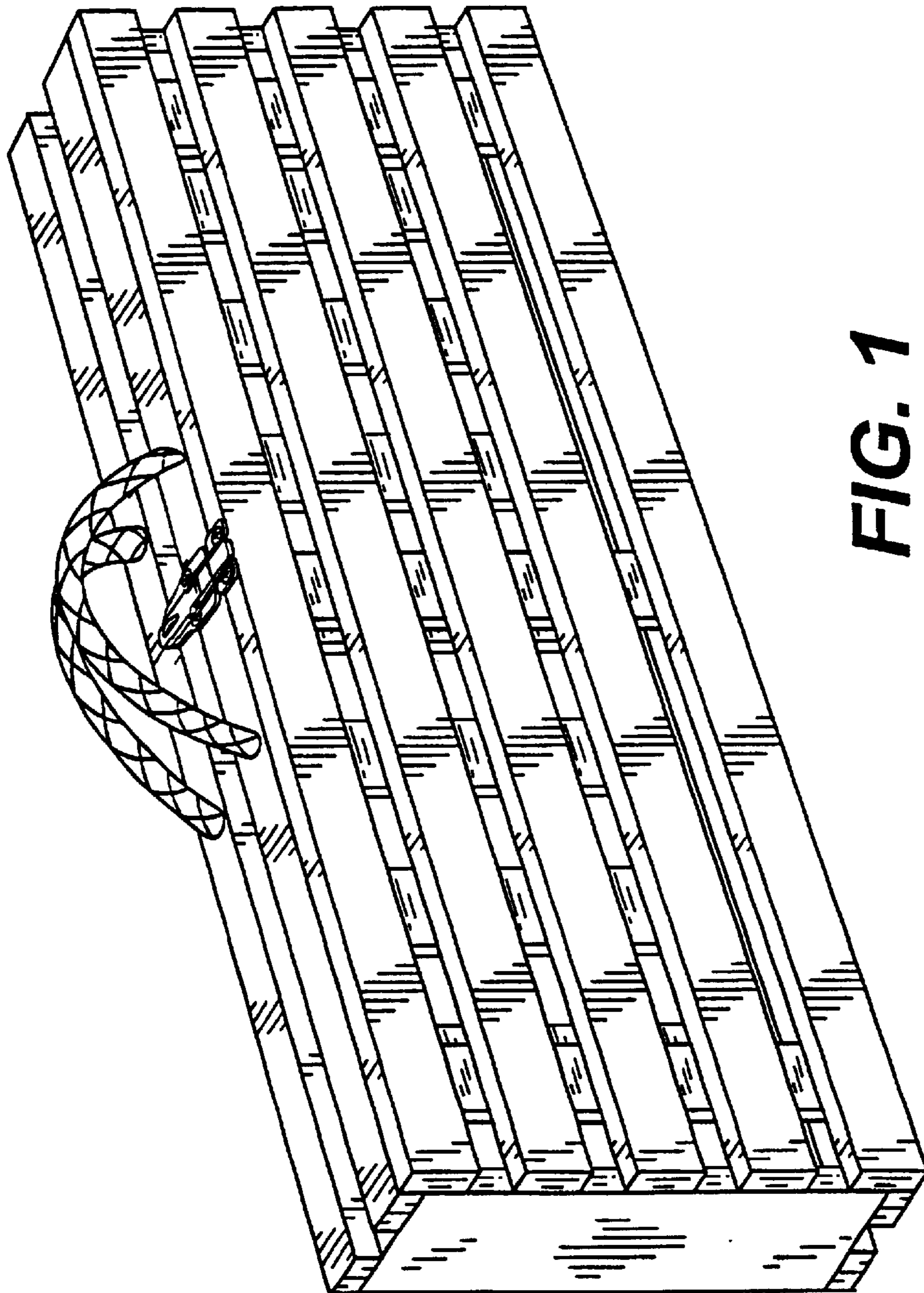


FIG. 1

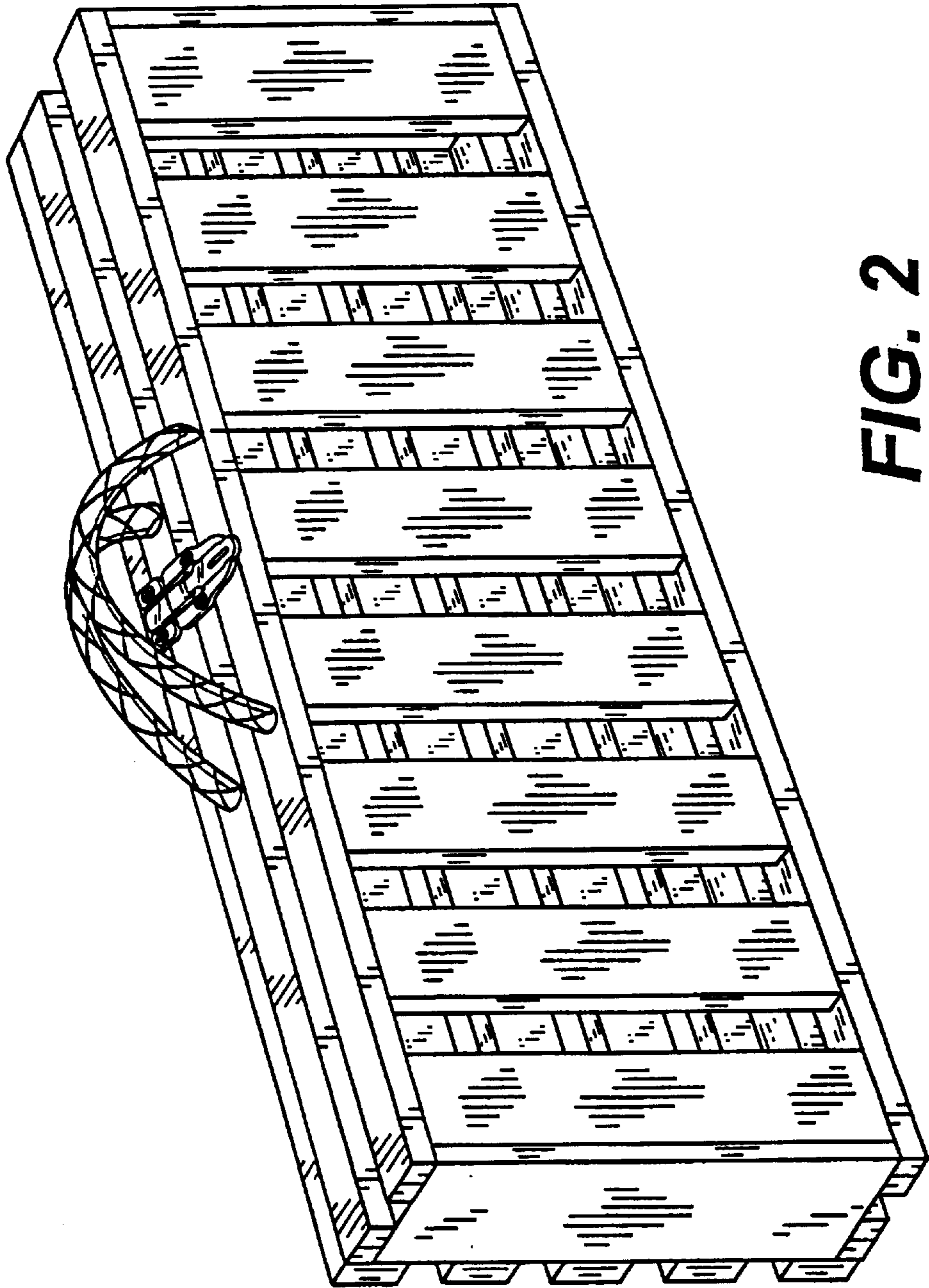


FIG. 2

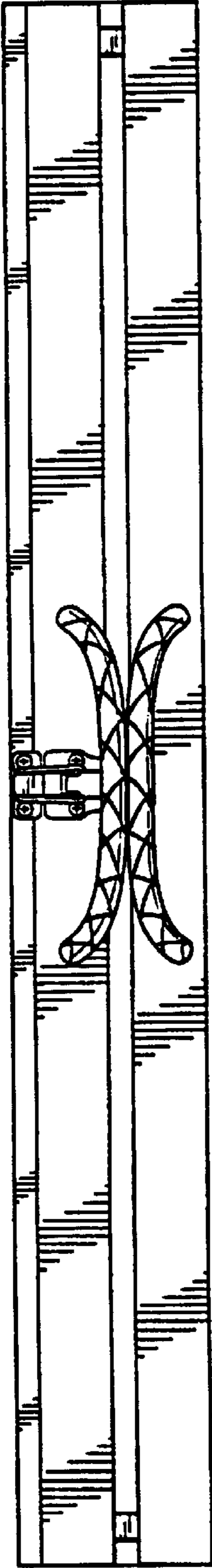


FIG. 3

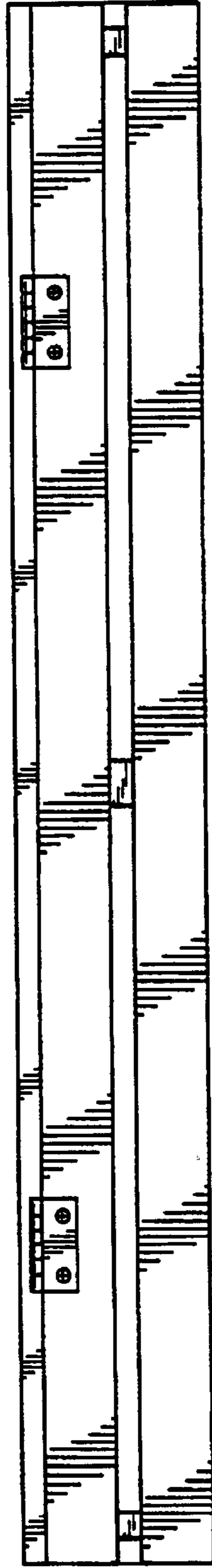


FIG. 4

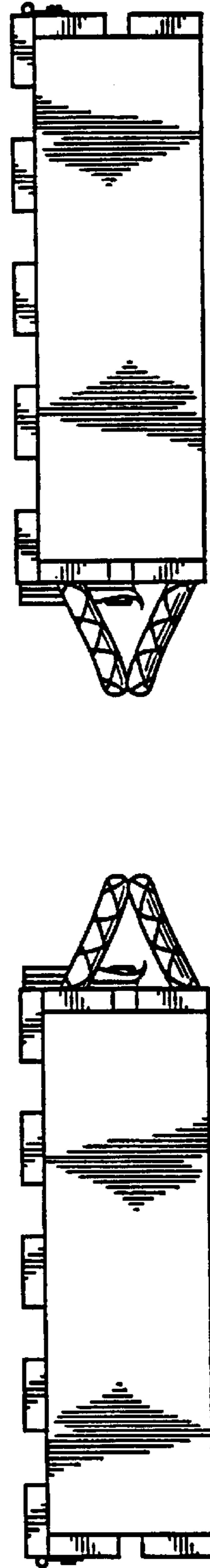


FIG. 5

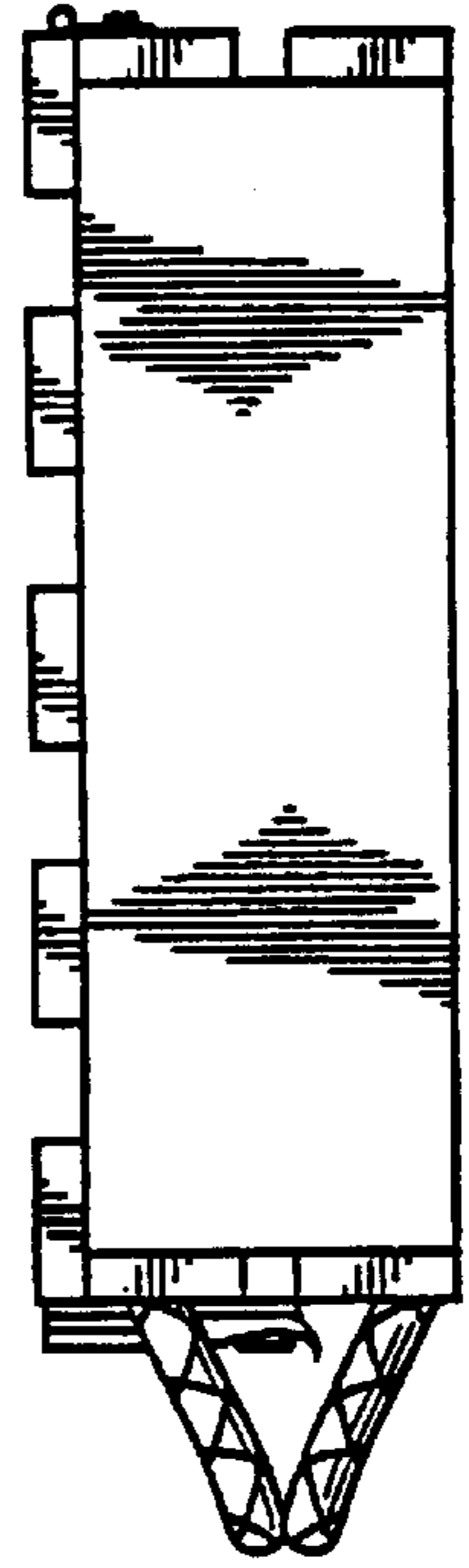


FIG. 6

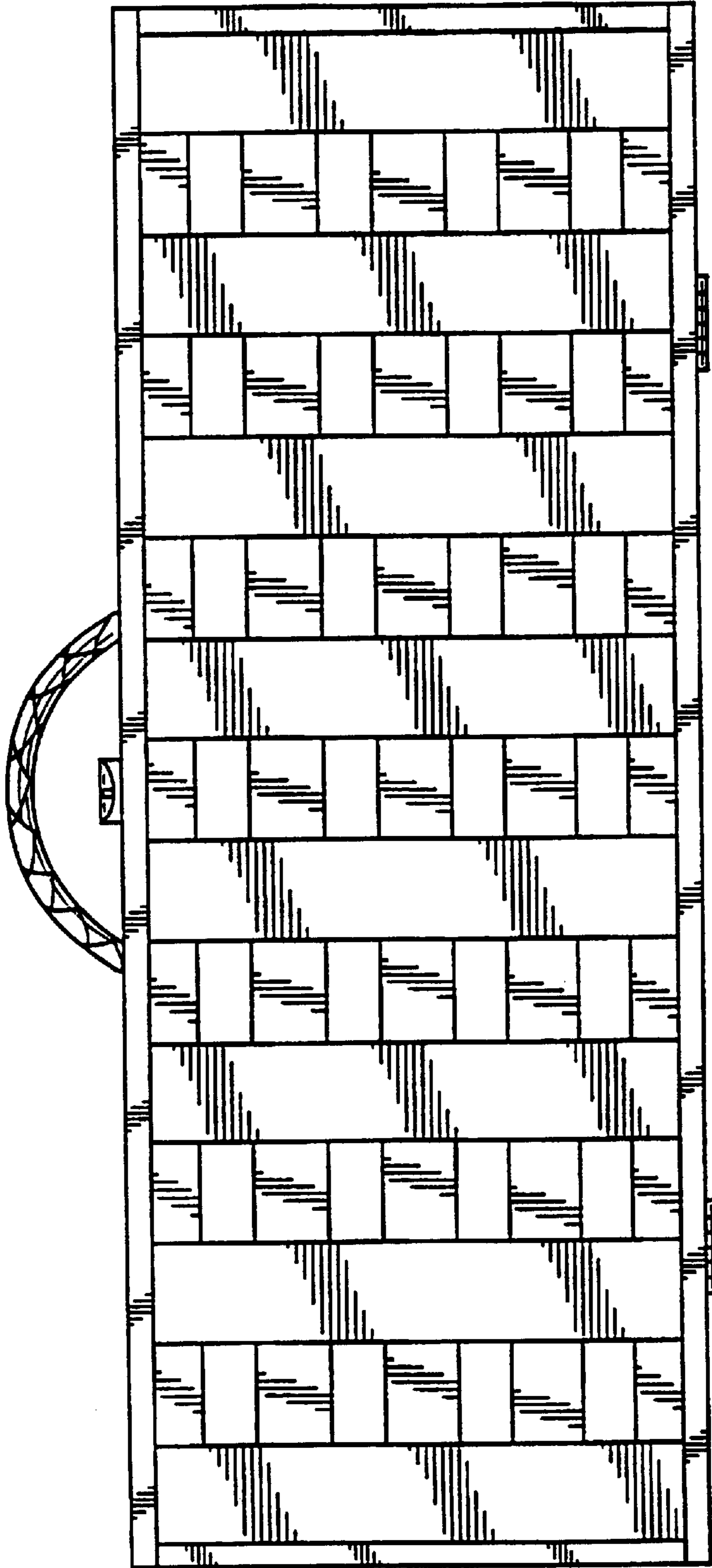


FIG. 7

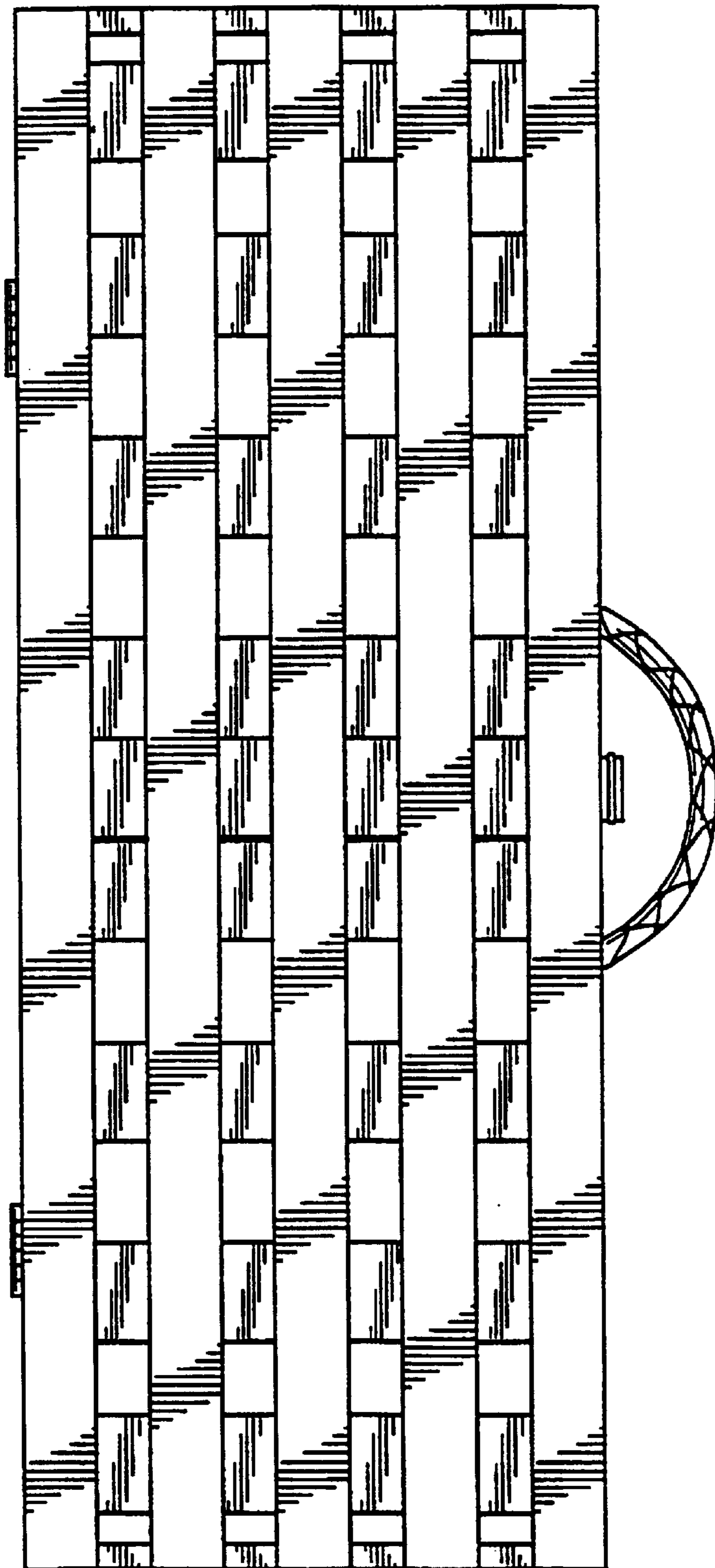


FIG. 8