



US00D441531S

(12) **United States Design Patent**
Lee

(10) **Patent No.:** **US D441,531 S**

(45) **Date of Patent:** **** May 8, 2001**

(54) **RADIO RECEIVER HANDBAG**

(76) **Inventor:** **Wen-Sung Lee, 58, Ma Yuan West St., Taichung (TW)**

(**) **Term:** **14 Years**

(21) **Appl. No.:** **29/122,130**

(22) **Filed:** **Apr. 18, 2000**

(51) **LOC (7) Cl.** **03-01**

(52) **U.S. Cl.** **D3/274; D14/168**

(58) **Field of Search** **D3/270, 271, 294, D3/276; D14/168; 206/349, 372, 373; 455/344, 347, 350, 351**

- D. 351,319 * 10/1994 Long et al. D14/168
- D. 364,161 * 11/1995 Campbell D14/168
- D. 370,675 * 6/1996 Kirk, III et al. D3/291
- D. 375,311 * 11/1996 Keseling et al. D3/274
- D. 401,237 * 11/1998 Kirk, III D14/168

* cited by examiner

Primary Examiner—Philip S. Hyder

(57) **CLAIM**

The ornamental design for a radio receiver handbag, as shown and described.

DESCRIPTION

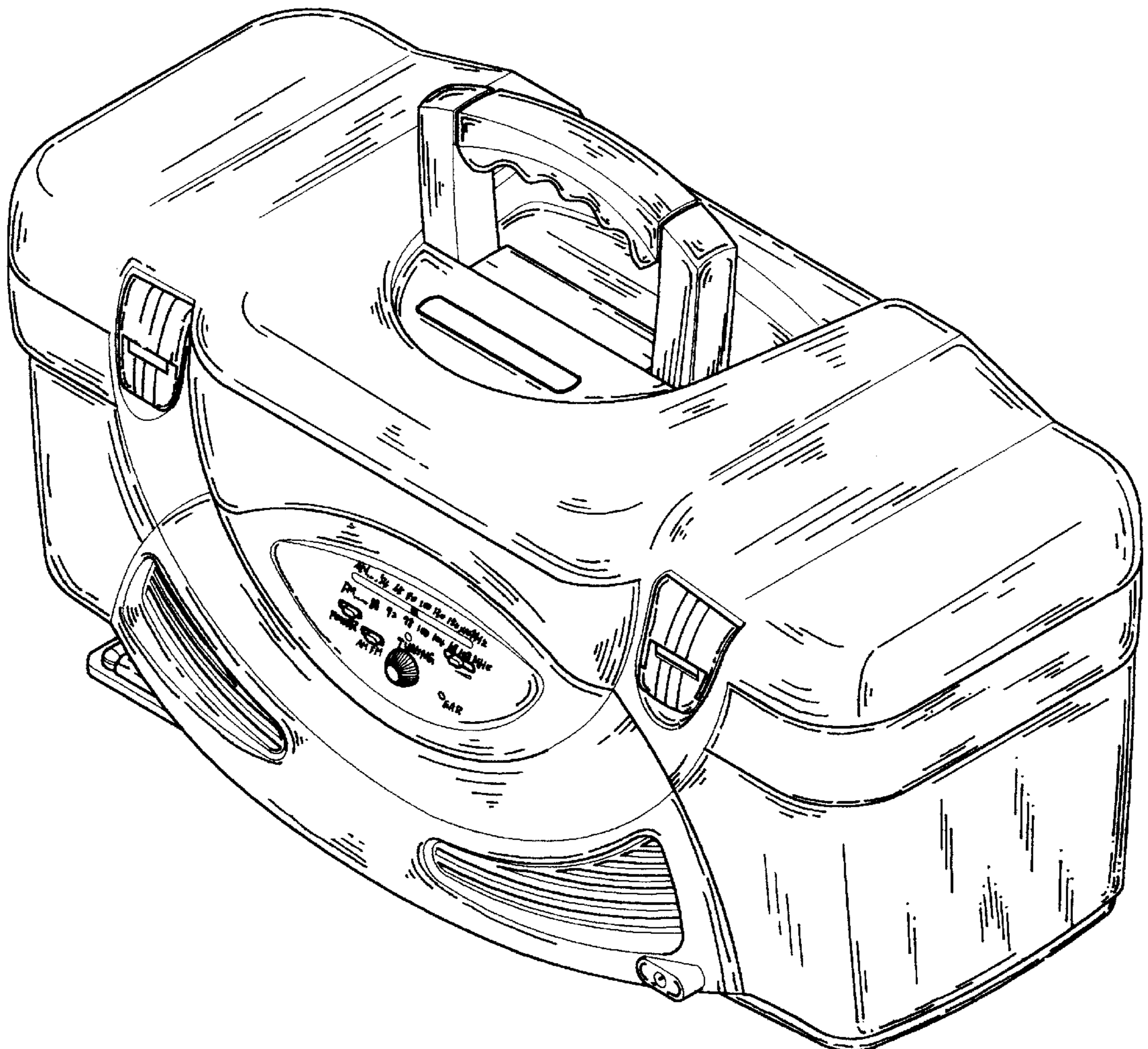
FIG. 1 is a perspective view of a radio receiver handbag showing my design;
 FIG. 2 is a front elevational view thereof;
 FIG. 3 is a rear elevational view thereof;
 FIG. 4 is a left side elevational view thereof;
 FIG. 5 is a right side elevational view thereof;
 FIG. 6 is a top plan view thereof; and,
 FIG. 7 is a bottom plan view thereof.

1 Claim, 7 Drawing Sheets

(56) **References Cited**

U.S. PATENT DOCUMENTS

- D. 302,903 * 8/1989 Johnston D3/274
- D. 304,881 * 12/1989 Zinbarg et al. D3/274
- D. 321,515 * 11/1991 Harris D14/168
- D. 334,285 * 3/1993 Wilson D14/168
- D. 334,868 * 4/1993 Lau Woon D14/168



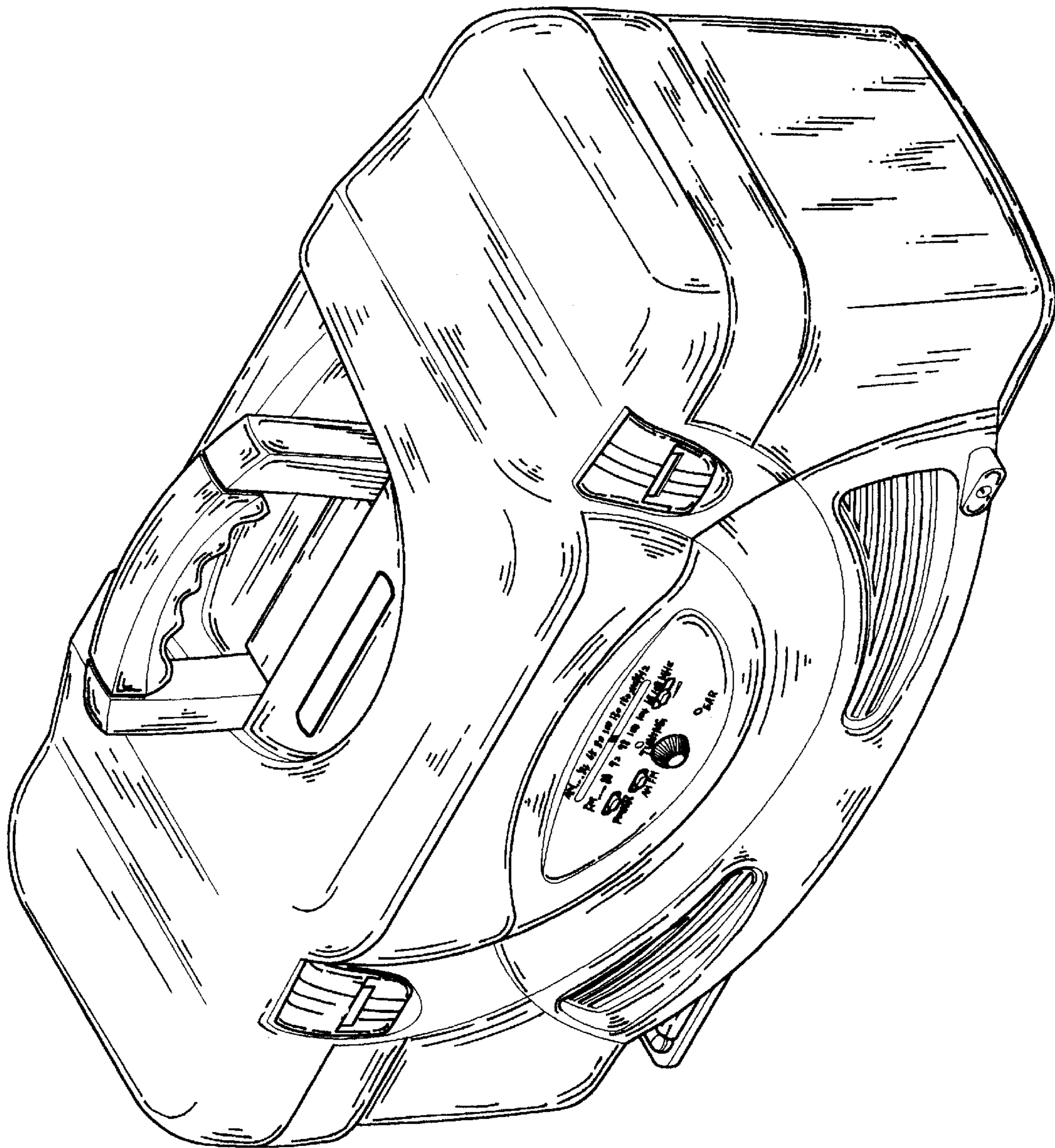


FIG. 1

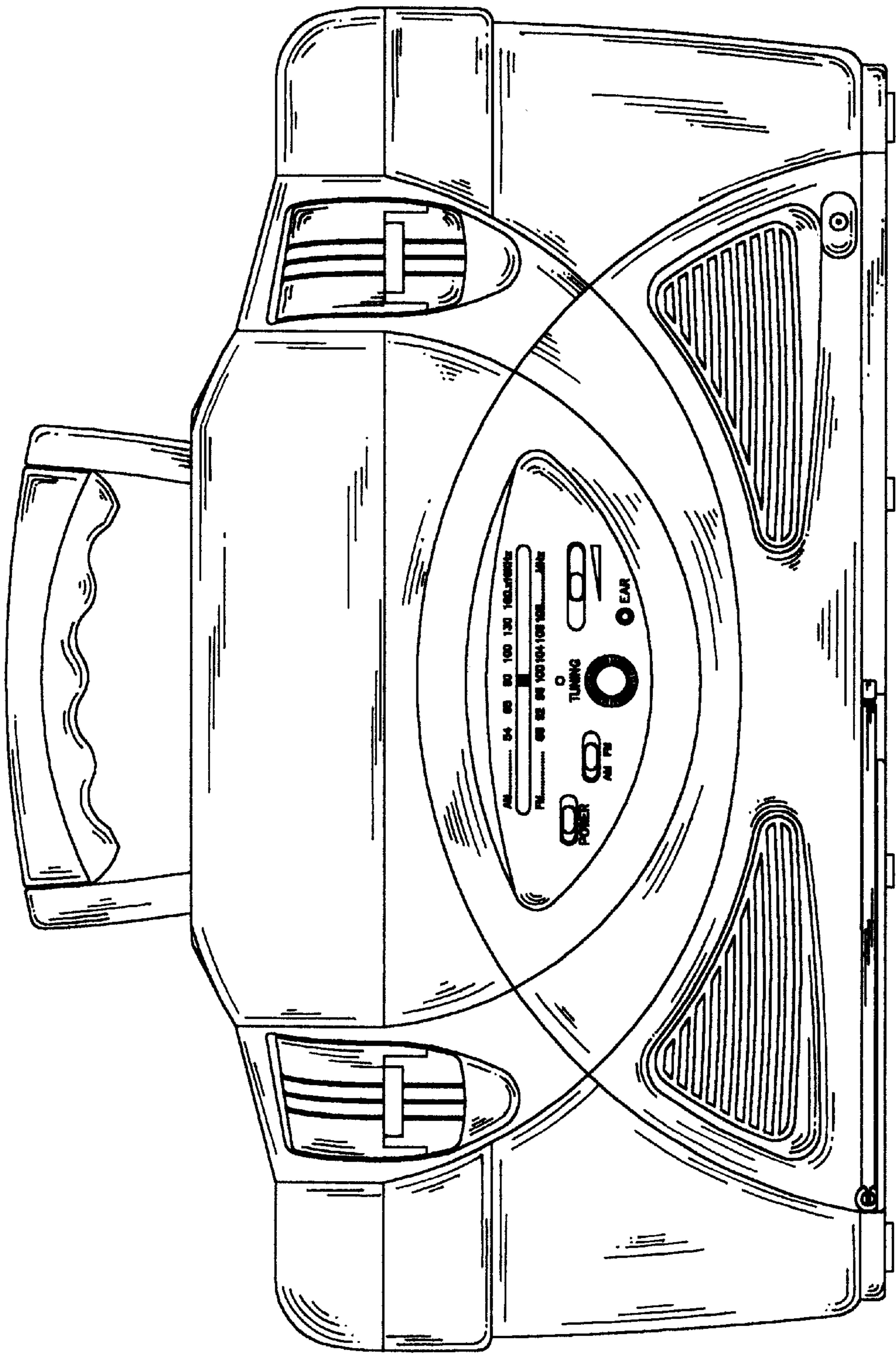


FIG. 2

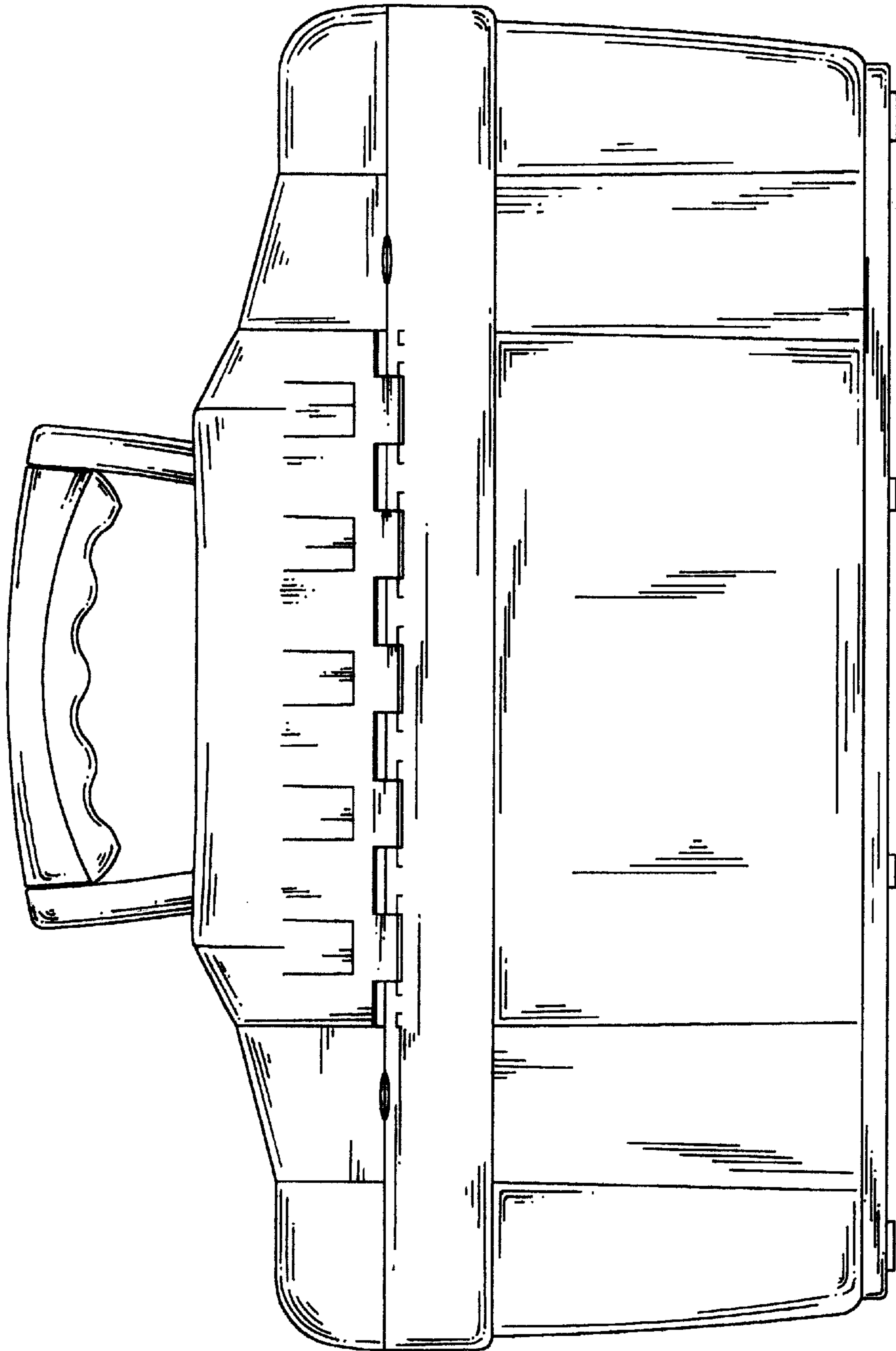


FIG. 3

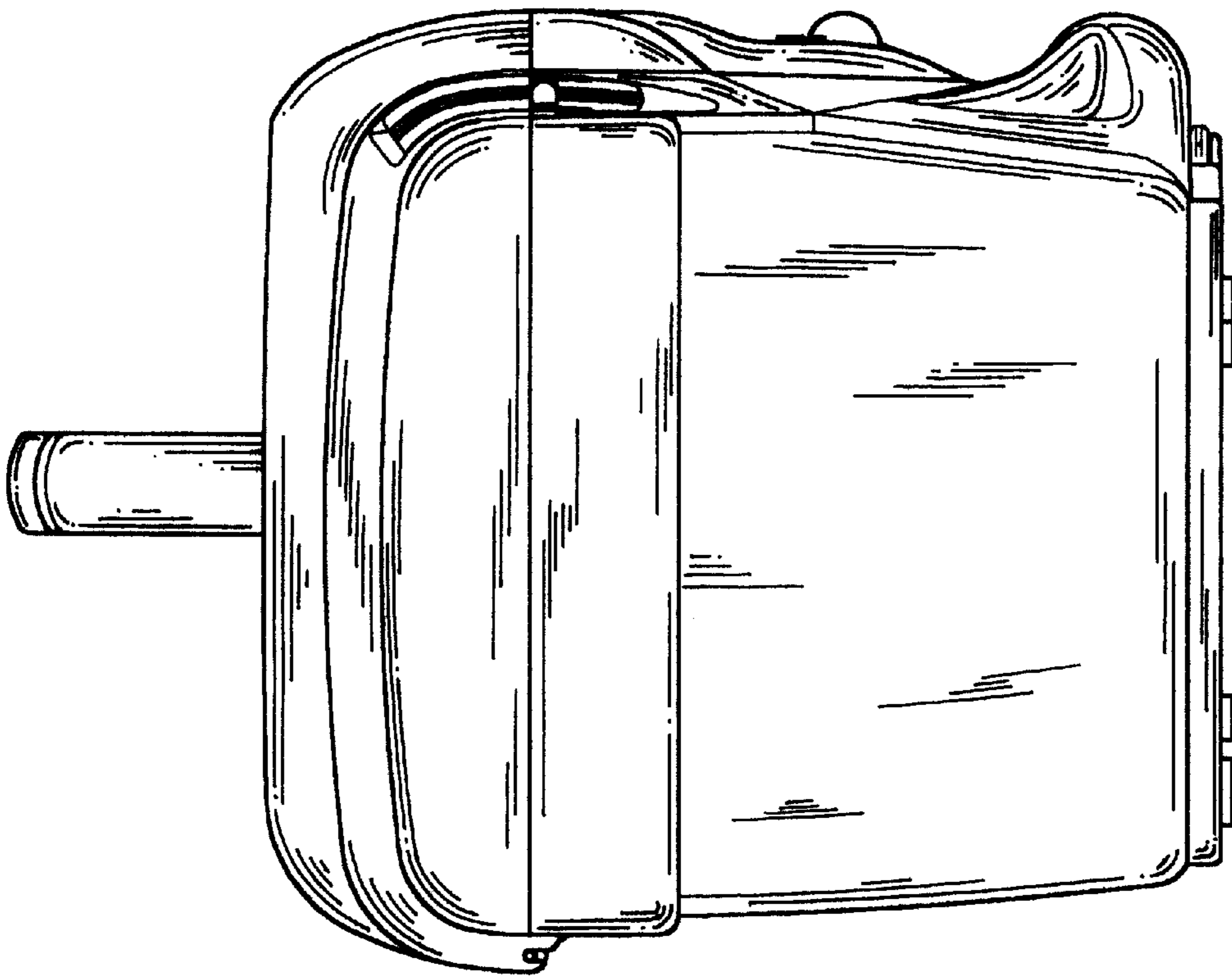


FIG. 4

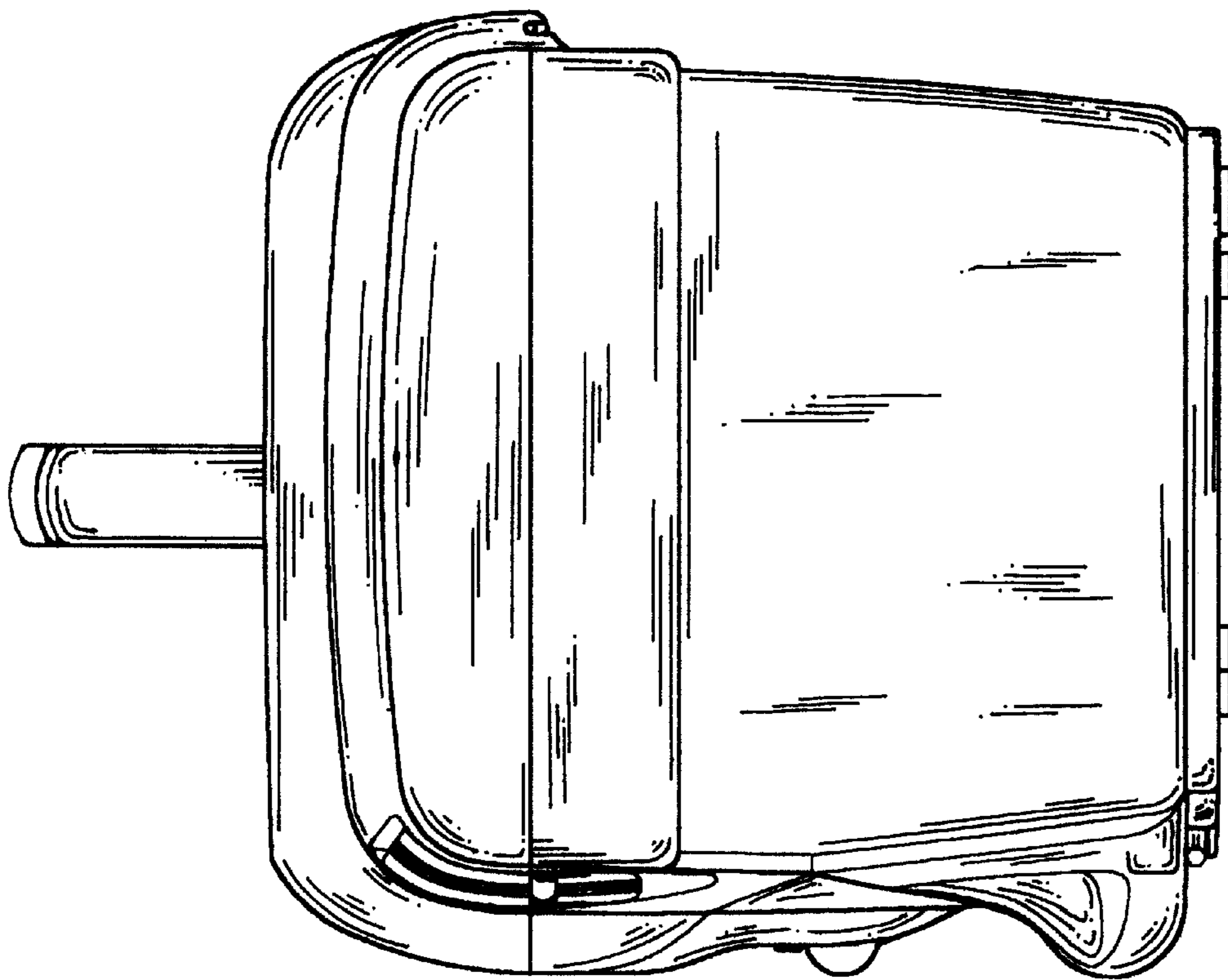


FIG. 5

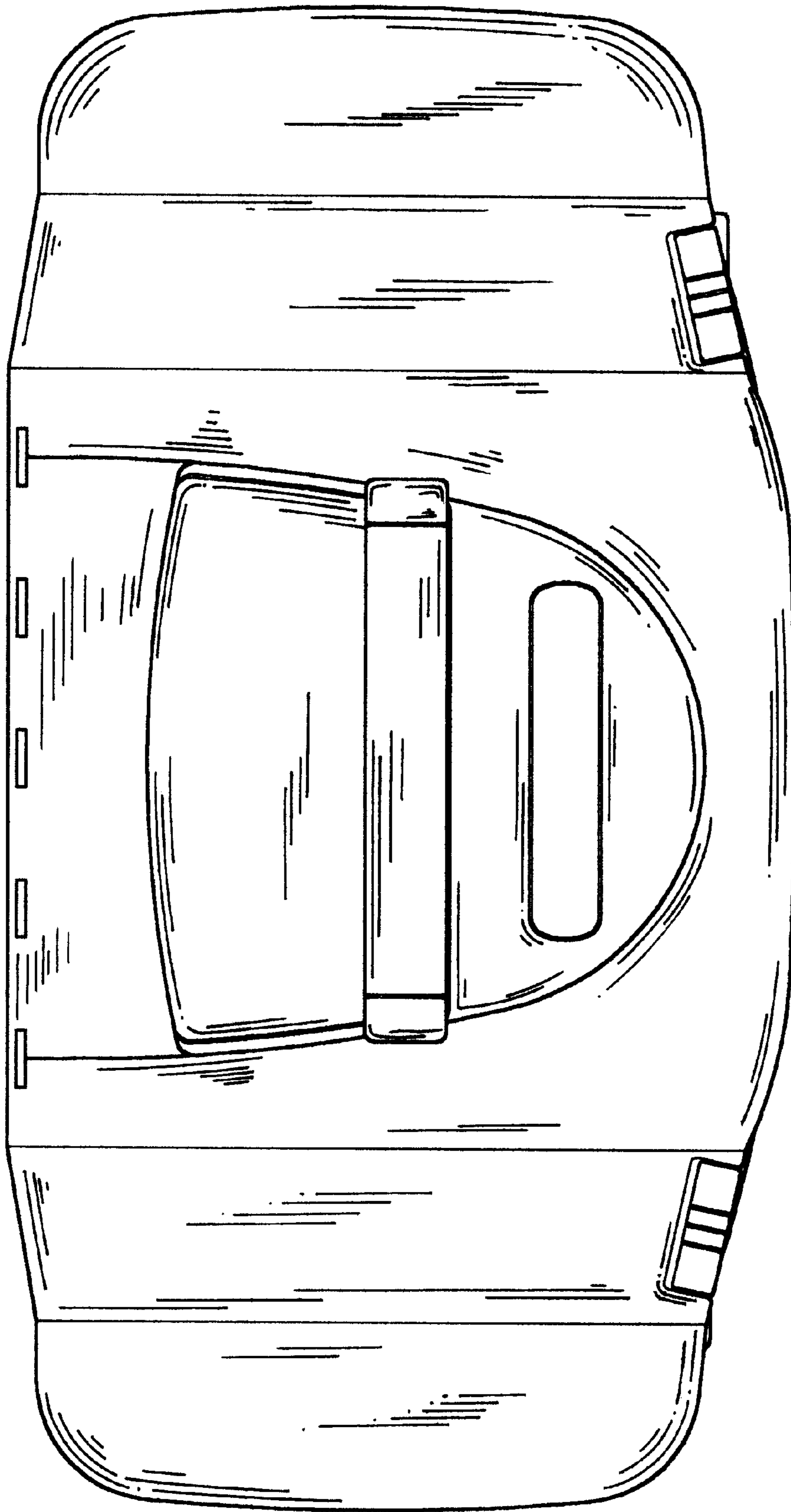


FIG. 6

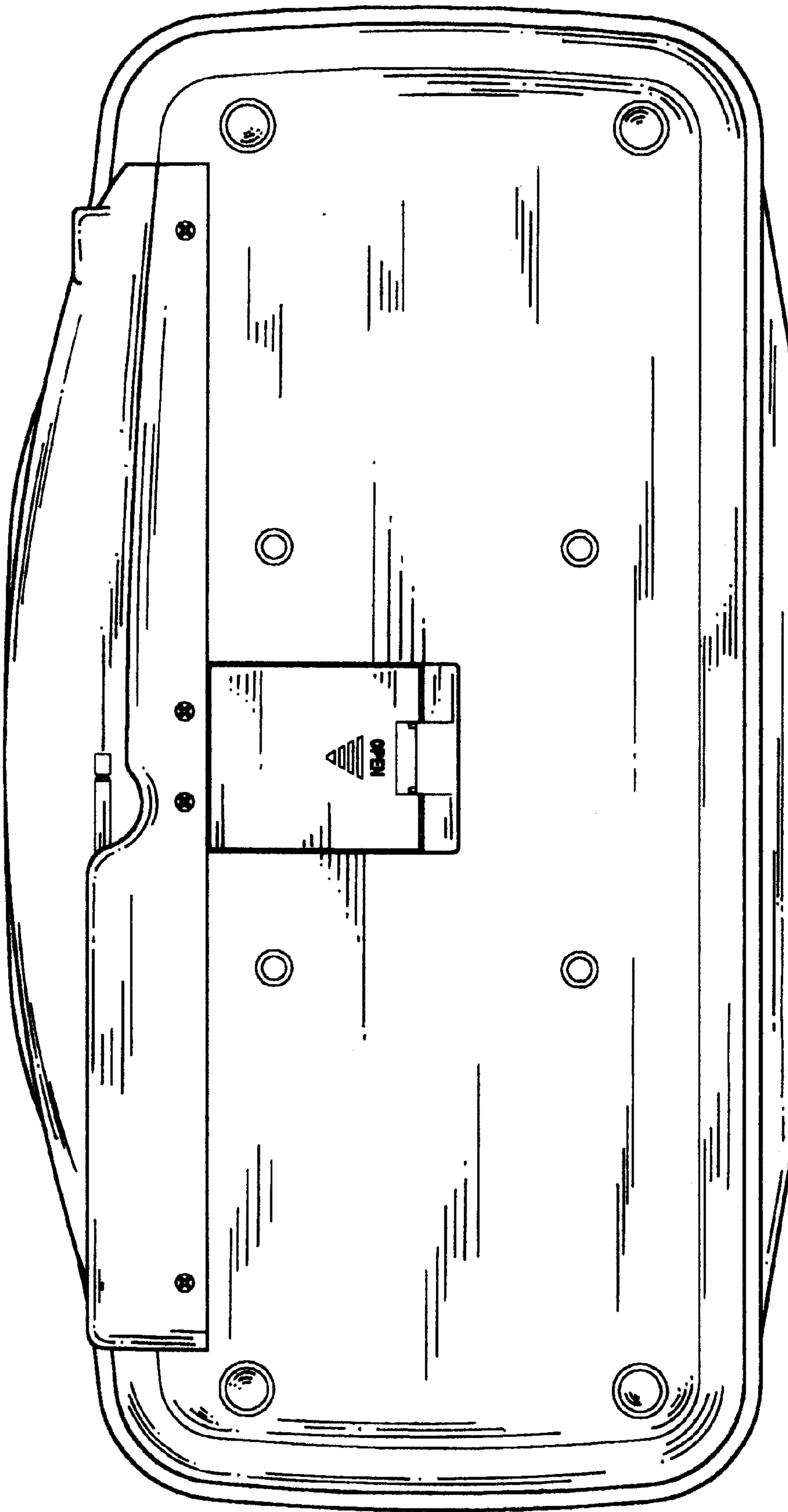


FIG. 7