



US00D441530S

(12) **United States Design Patent**  
**Elmore**

(10) **Patent No.:** **US D441,530 S**

(45) **Date of Patent:** **\*\* May 8, 2001**

(54) **MOLDED BULK MATERIAL BIN**

D. 435,967 \* 1/2001 Tiramani et al. .... D3/273

(75) Inventor: **James N. Elmore**, Little Rock, AR  
(US)

\* cited by examiner

(73) Assignee: **Trade Fixtures, LLC**, Little Rock, AR  
(US)

*Primary Examiner*—Cathron C. Brooks

(74) *Attorney, Agent, or Firm*—James R. Eley; Arter & Hadden

(\*\*) Term: **14 Years**

(57) **CLAIM**

(21) Appl. No.: **29/130,397**

The ornamental design for a molded bulk material bin, as shown and described.

(22) Filed: **Sep. 29, 2000**

**DESCRIPTION**

(51) **LOC (7) Cl.** ..... **03-01**

(52) **U.S. Cl.** ..... **D3/273; D3/294; D6/510**

(58) **Field of Search** ..... D6/432, 433, 441,  
D6/510; D3/272, 273, 278, 294, 301; D7/612,  
629

FIG. 1 is a front perspective view of the molded bulk material bin of the present invention in a closed configuration;

FIG. 2 is an enlarged rear elevational view of the molded bulk material bin of FIG. 1;

FIG. 3 is an enlarged front elevational view of the molded bulk material bin of FIG. 1;

FIG. 4 is an enlarged right side elevational view of the molded bulk material bin of FIG. 1;

FIG. 5 is an enlarged left side elevational view of the molded bulk material bin of FIG. 1;

FIG. 6 is an enlarged top plan view of the molded bulk material bin of FIG. 1; and,

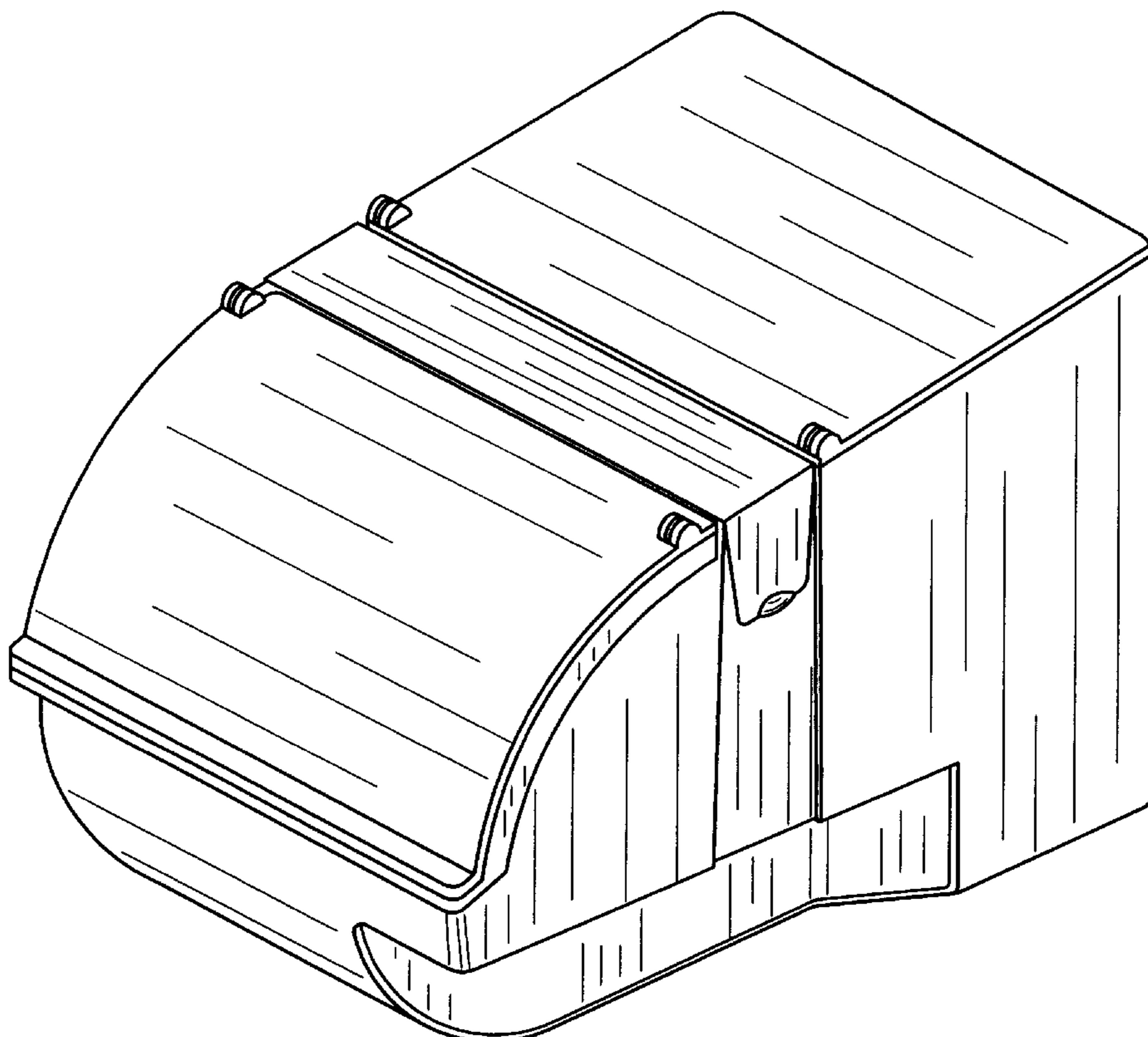
FIG. 7 is an enlarged bottom plan view of the molded bulk material bin of FIG. 1.

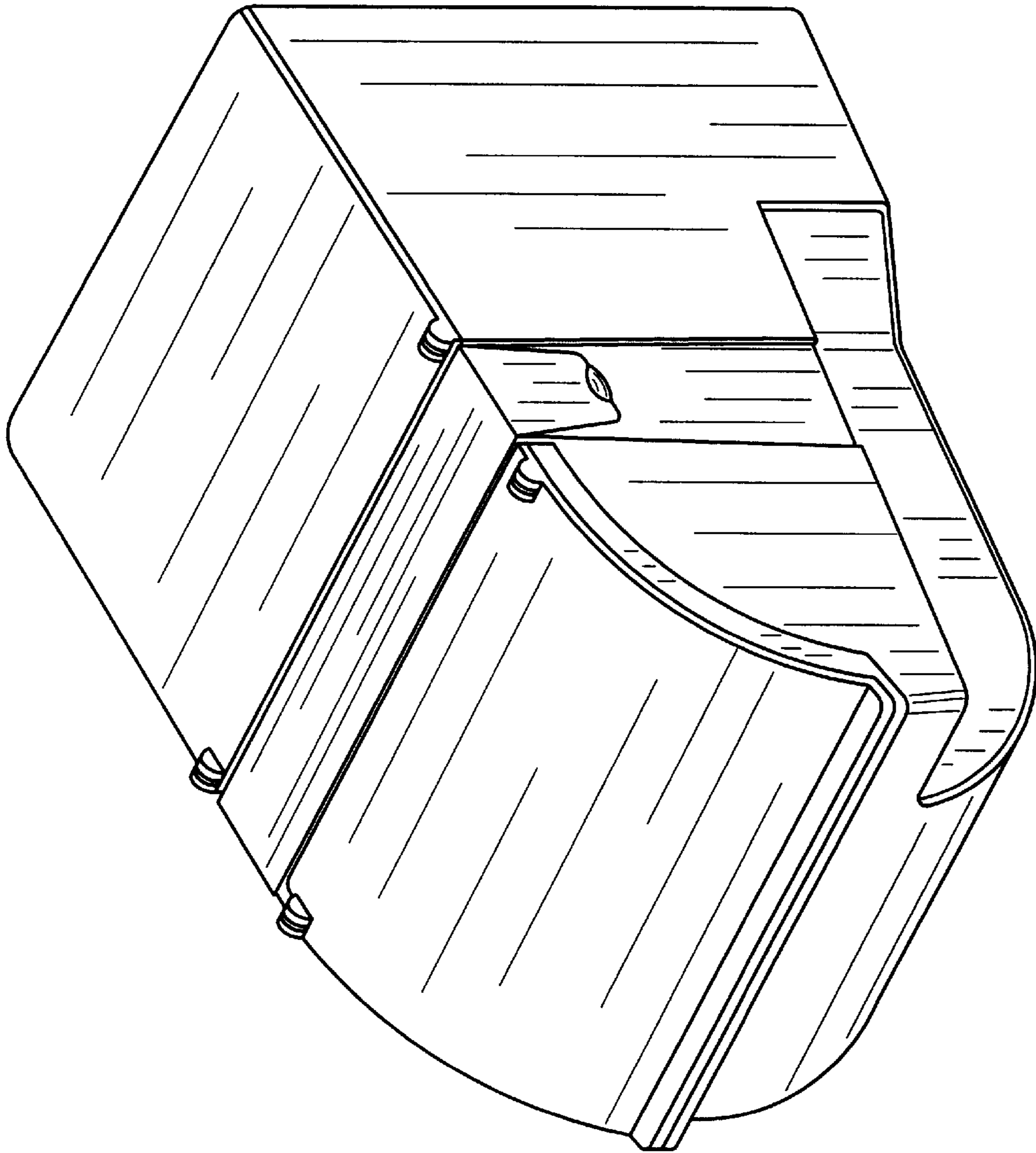
(56) **References Cited**

**U.S. PATENT DOCUMENTS**

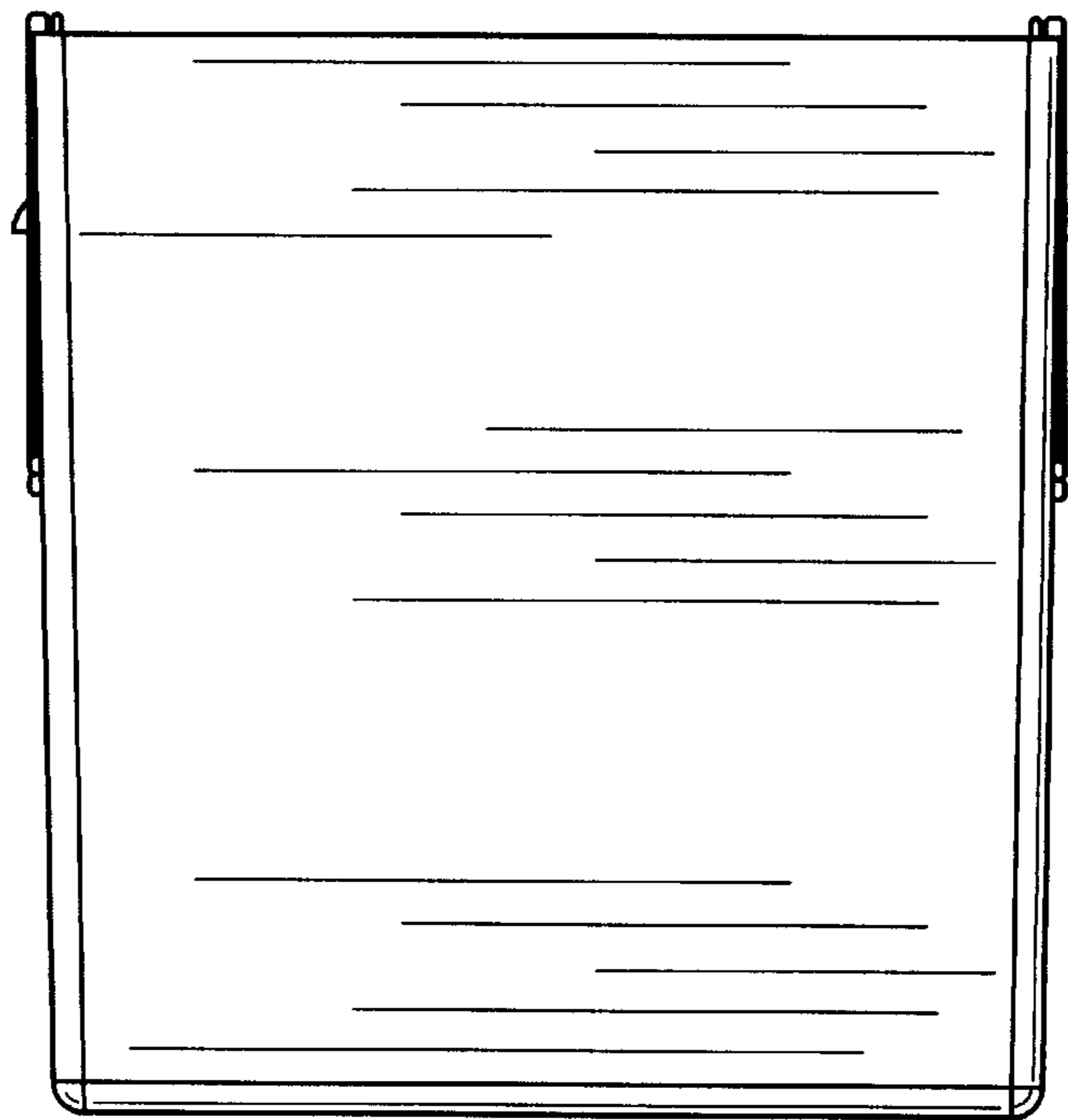
- D. 241,986 \* 10/1976 Pelavin ..... D3/278
- D. 250,748 \* 1/1979 Leger ..... D9/420
- D. 274,408 \* 6/1984 Fernandez ..... D3/294 X
- D. 281,651 \* 12/1985 Bomes et al. .... D3/278
- D. 321,790 \* 11/1991 Martorella ..... D3/278
- D. 365,206 \* 12/1995 Goodman ..... D3/273
- D. 383,904 \* 9/1997 Stewart ..... D3/278 X
- D. 403,176 \* 12/1998 Harper ..... D6/440
- D. 418,297 \* 1/2000 Budert ..... D3/294 X

**1 Claim, 4 Drawing Sheets**

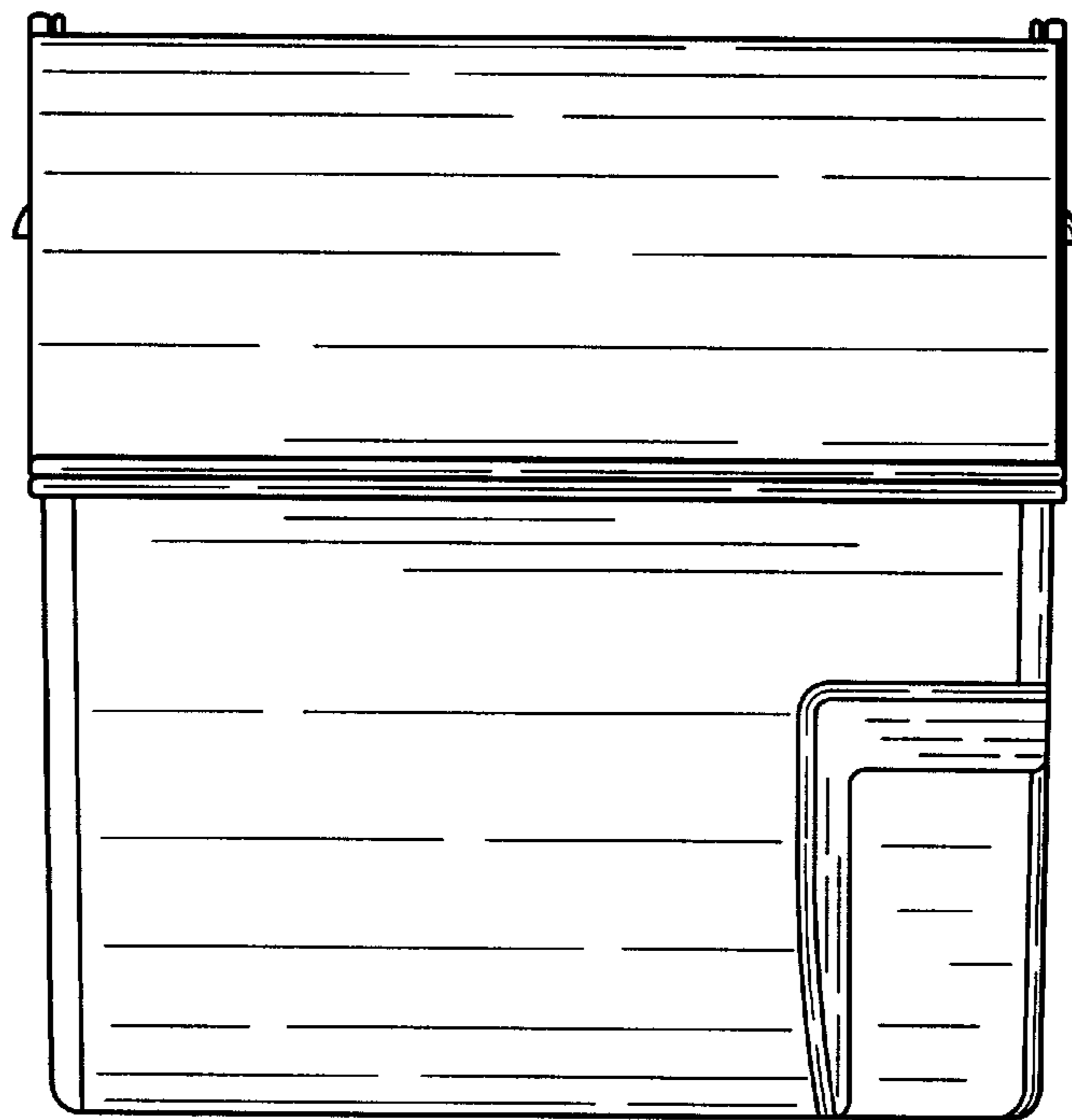




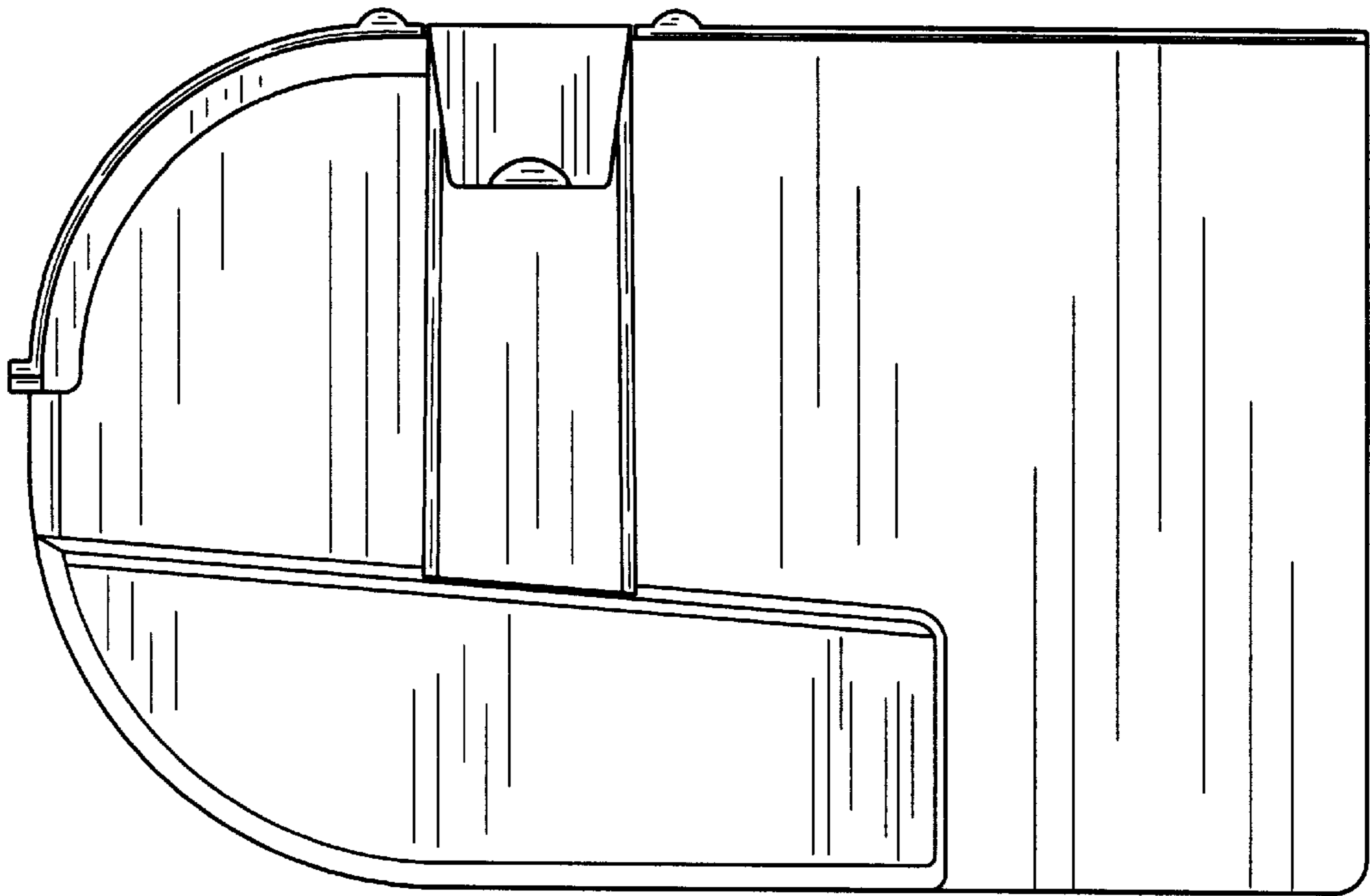
*Fig. 1*



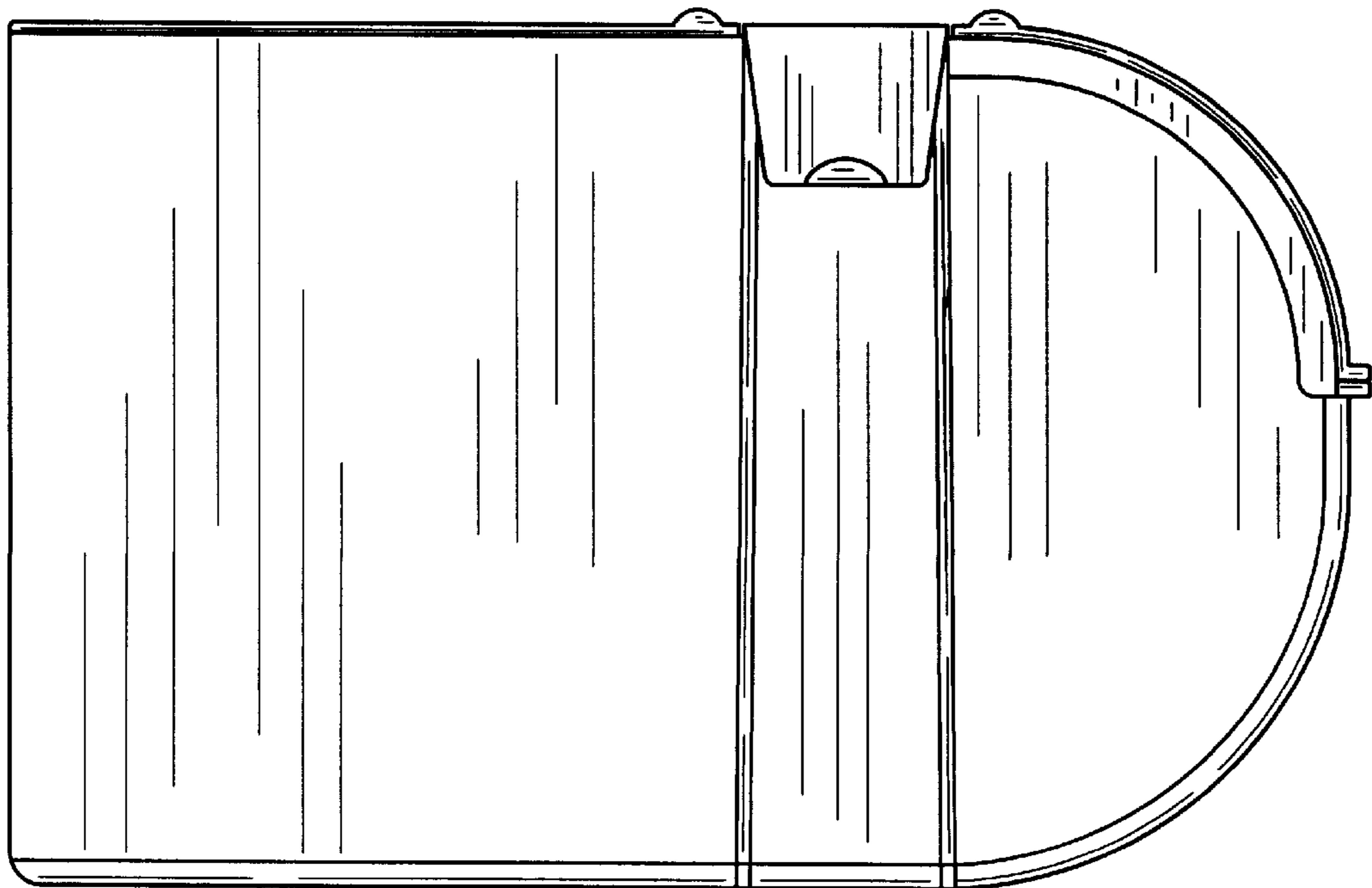
*Fig. 2*



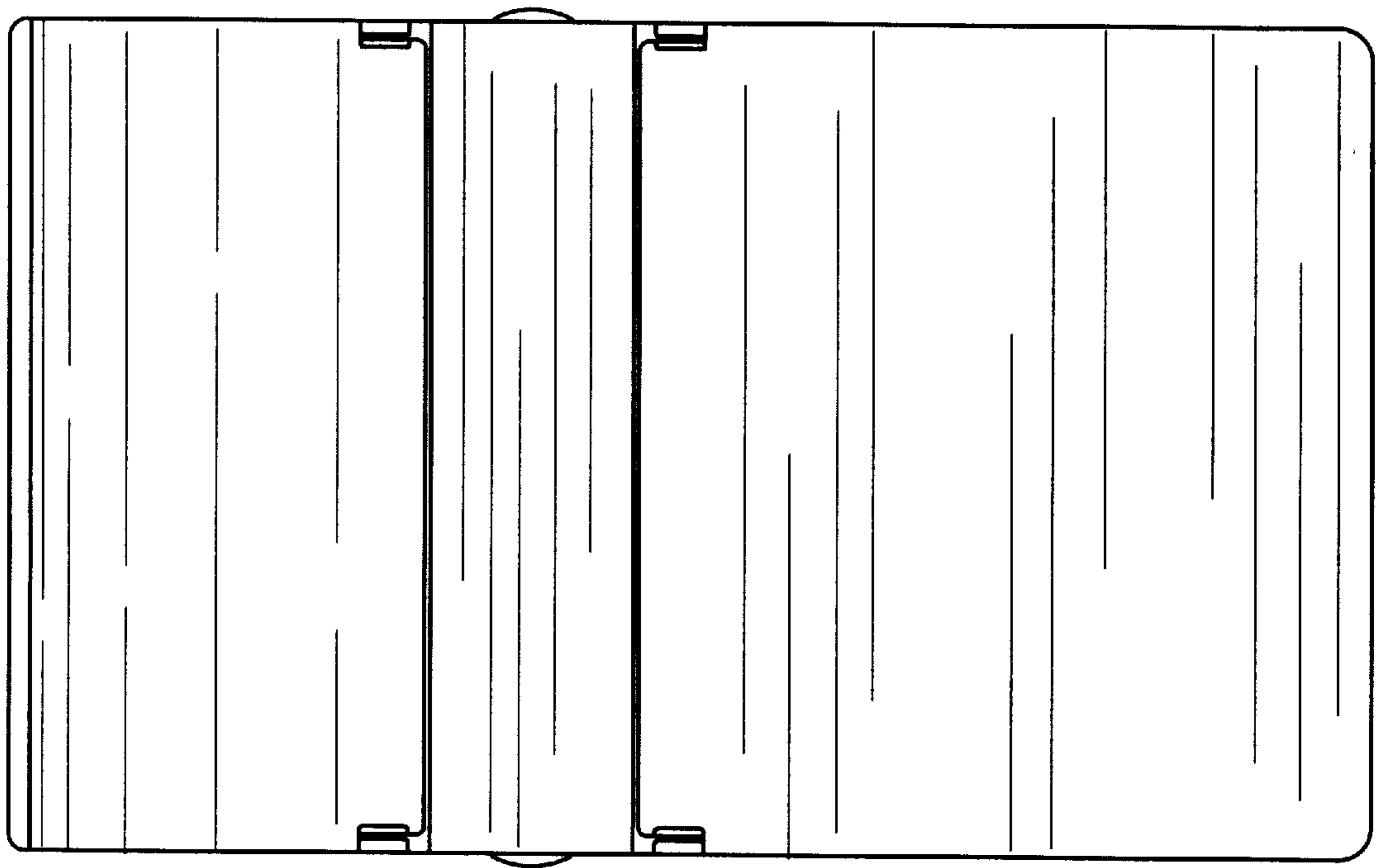
*Fig. 3*



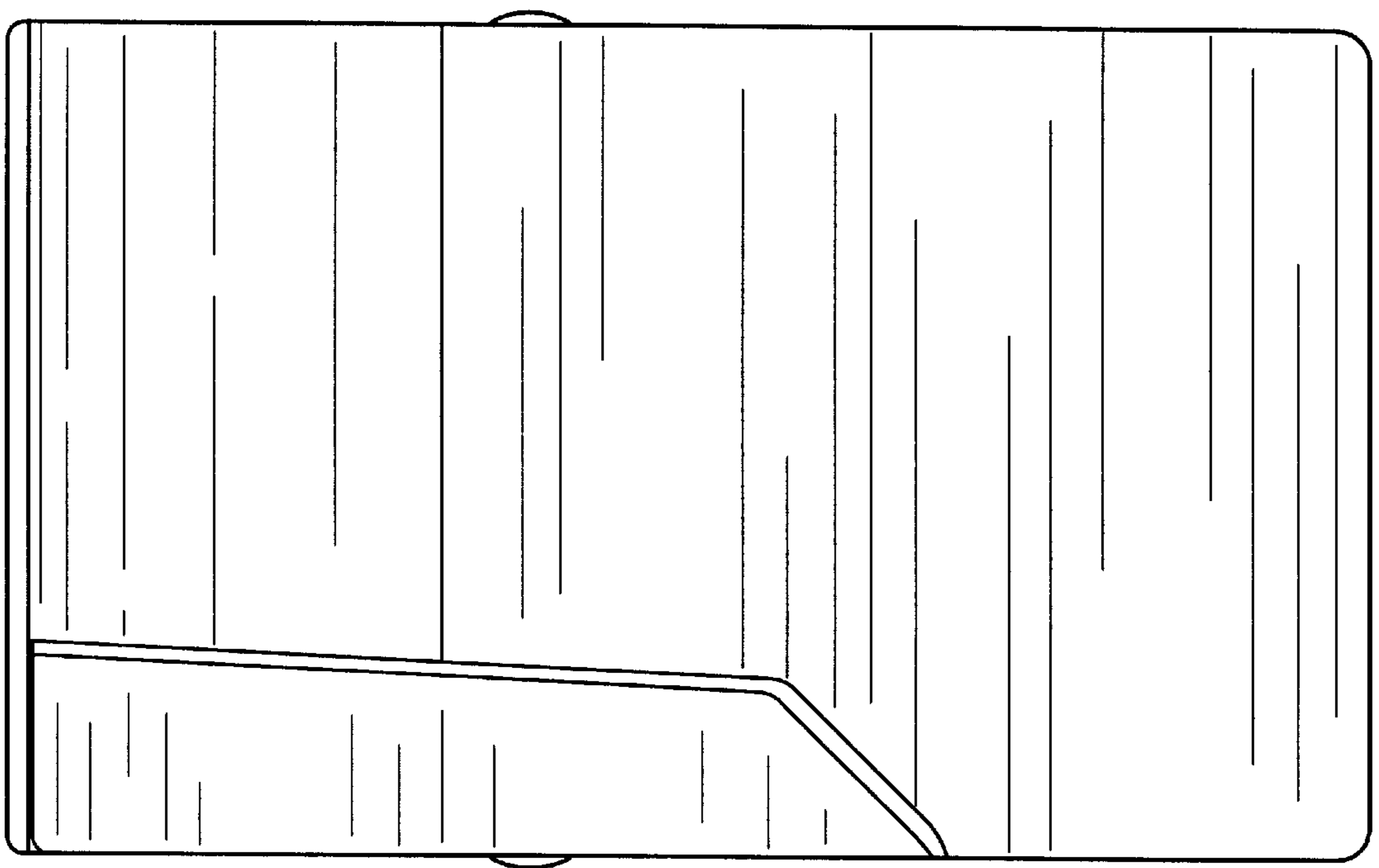
*Fig. 4*



*Fig. 5*



*Fig. 6*



*Fig. 7*