



US00D441510S

(12) **United States Design Patent**
Zegman

(10) **Patent No.:** **US D441,510 S**

(45) **Date of Patent:** **** May 1, 2001**

(54) **SCRAPER**

2,821,017 * 1/1958 Liesunaitis 30/169
5,996,231 * 12/1999 Roche et al. 30/169

(75) Inventor: **Amir Zegman**, Tel Aviv (IL)

* cited by examiner

(73) Assignee: **Aharon Zegman LTD** (IL)

Primary Examiner—M. H. Tung

(**) Term: **14 Years**

Assistant Examiner—Lavone Tabor

(21) Appl. No.: **29/112,587**

(74) *Attorney, Agent, or Firm*—Ostrolenk, Faber, Gerb & Soffen, LLP

(22) Filed: **Oct. 20, 1999**

(30) **Foreign Application Priority Data**

May 31, 1999 (IL) 31604

(51) **LOC (7) Cl.** **08-05**

(52) **U.S. Cl.** **D32/49**

(58) **Field of Search** D32/40, 46, 48,
D32/49; 15/236.01, 236.02, 236.05, 236.06,
236.07, 236.08, 236.09; 30/169

(56) **References Cited**

U.S. PATENT DOCUMENTS

D. 182,070 * 2/1958 Hauser D32/49
D. 396,910 * 8/1998 Henke D32/49
2,700,096 * 1/1955 Clements 30/169 X

(57) **CLAIM**

The ornamental design for a scraper, as shown and described.

DESCRIPTION

FIG. 1 is a top perspective view of a scraper showing my design;

FIG. 2 is a bottom perspective view thereof;

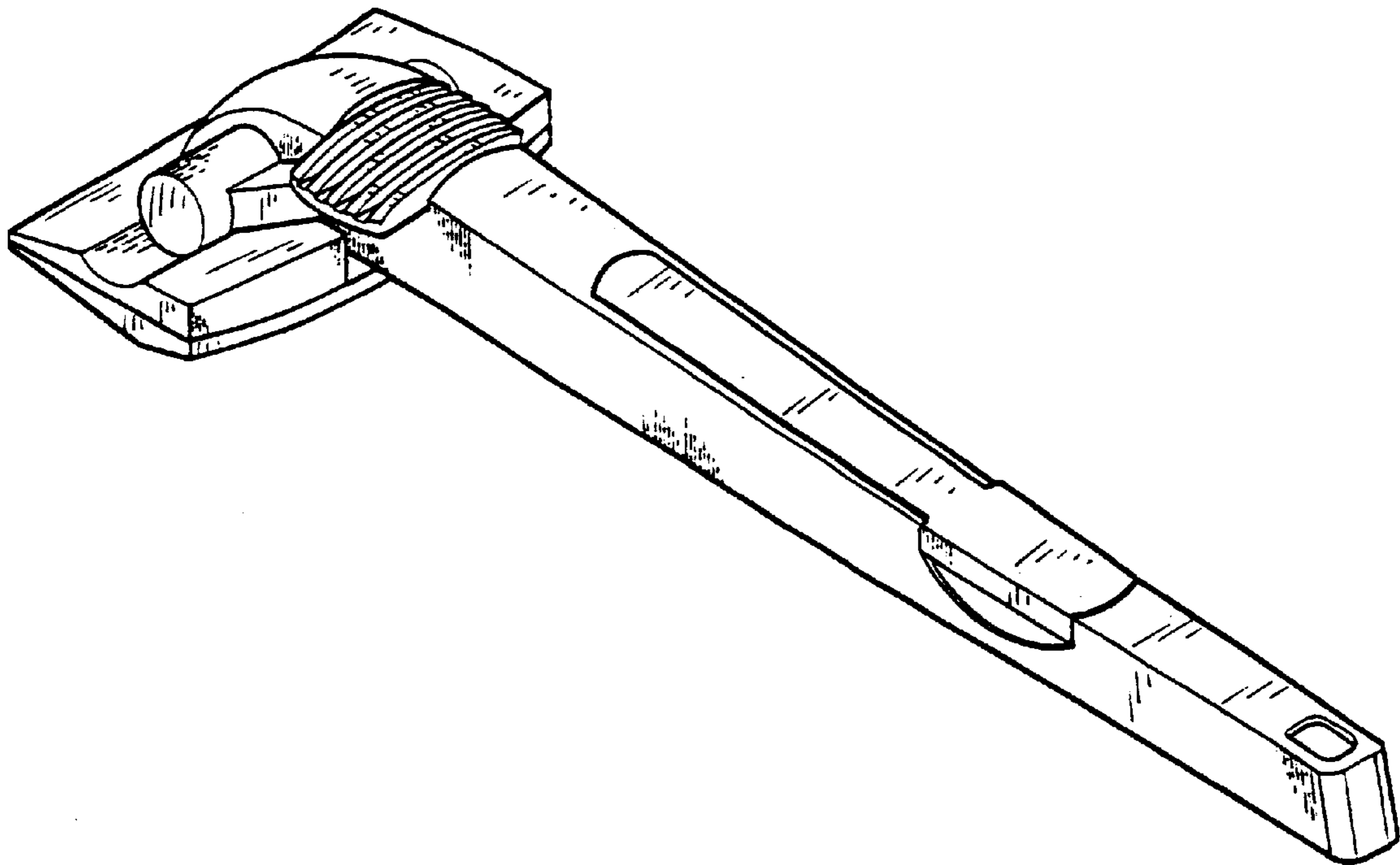
FIG. 3 is a top view thereof;

FIG. 4 is a front view thereof; and,

FIG. 5 is a bottom view thereof.

The rear of the scraper neither shown in the drawing nor described in the specification forms no part of the claimed design.

1 Claim, 2 Drawing Sheets



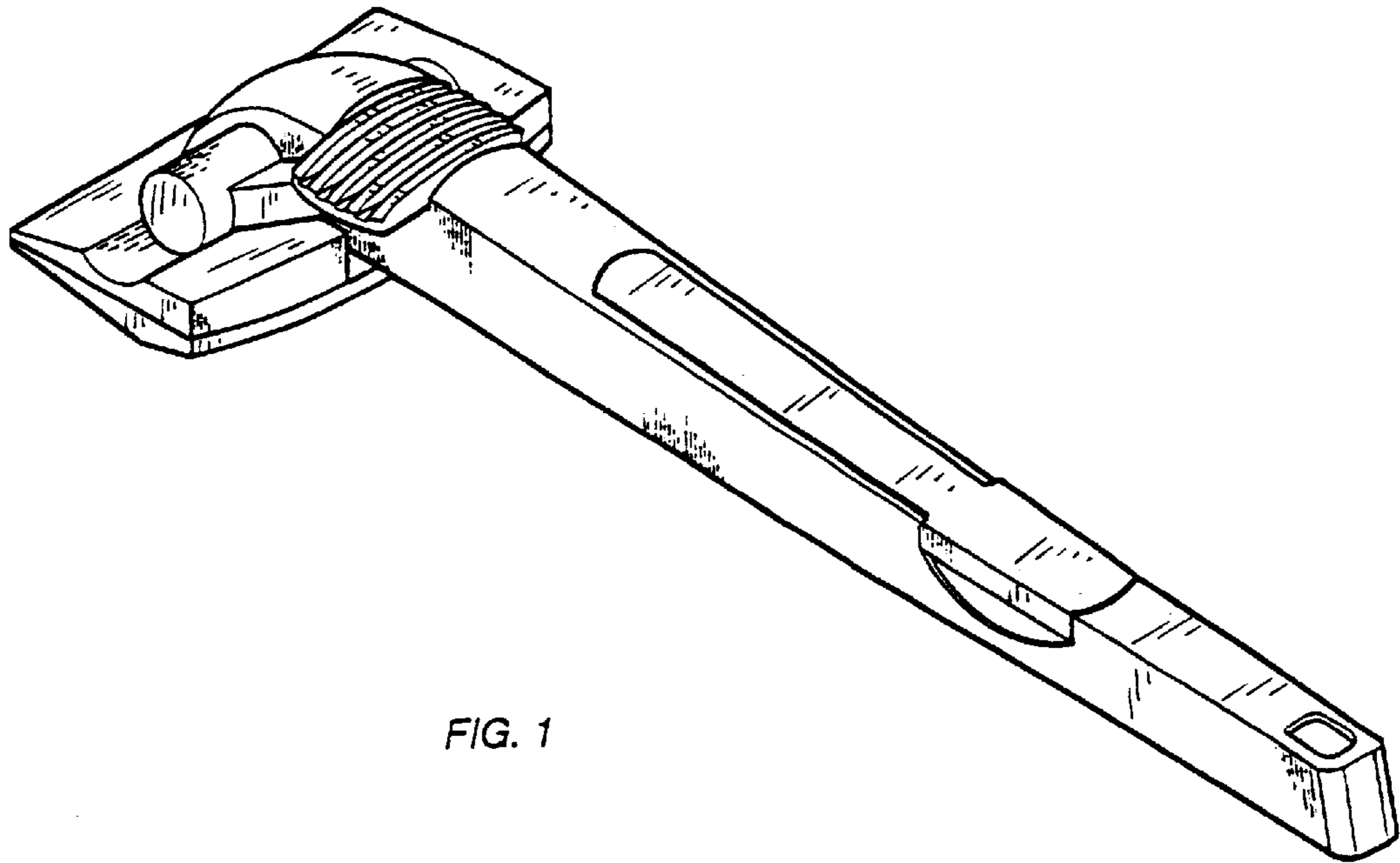


FIG. 1

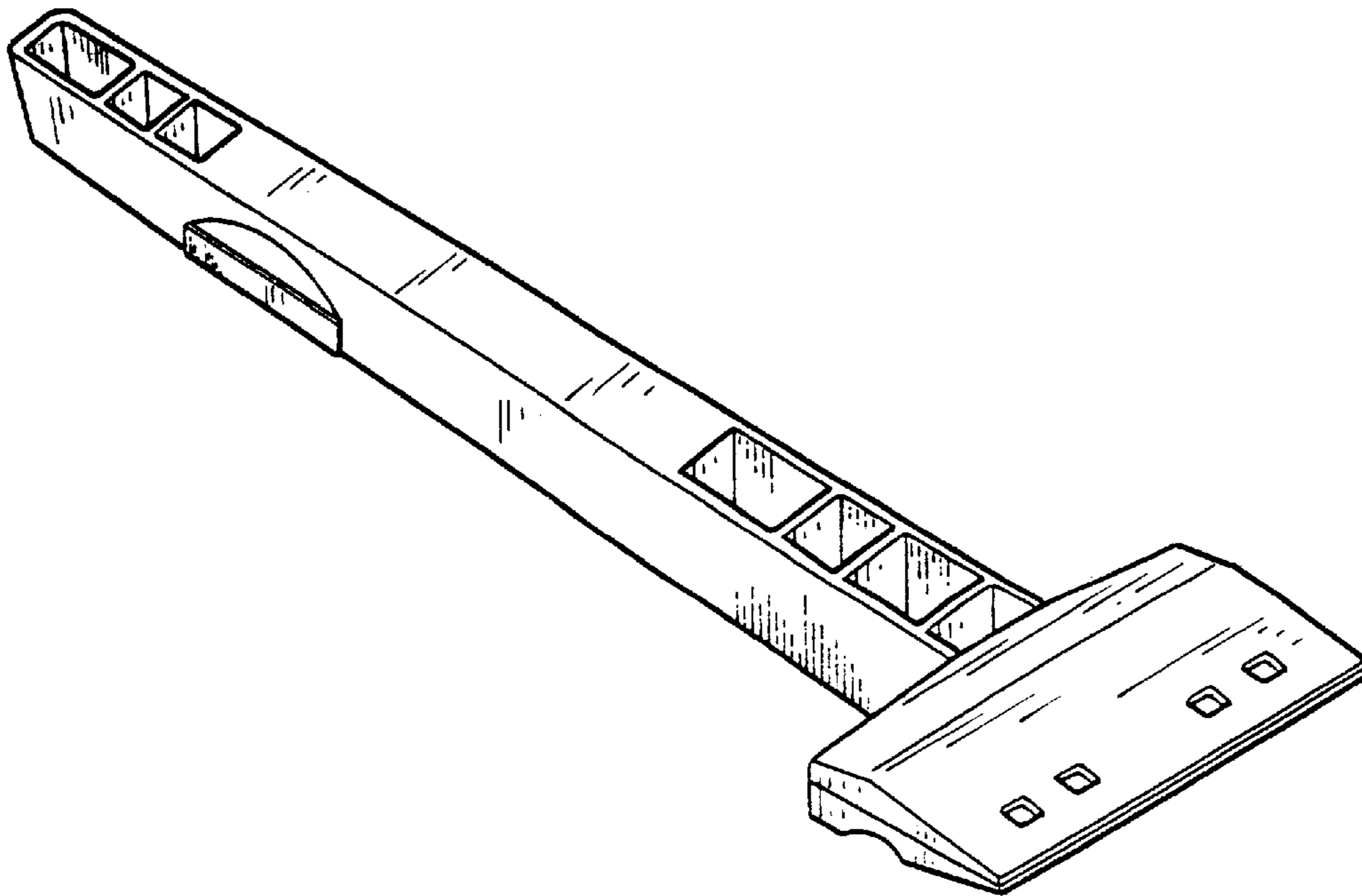


FIG. 2

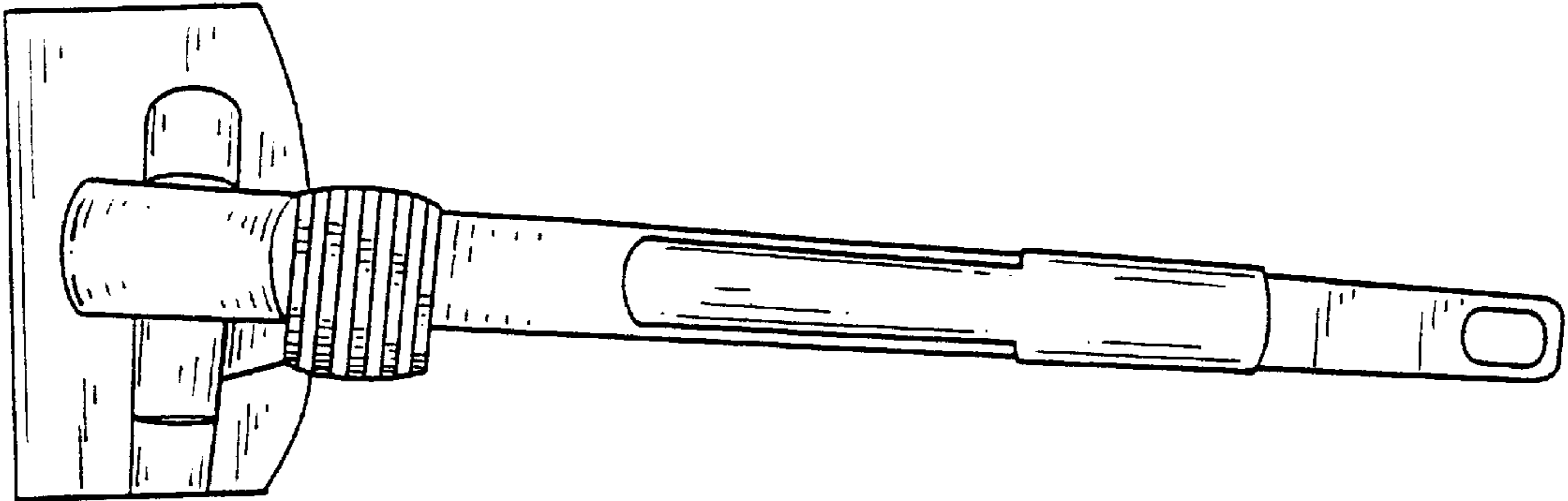


FIG. 3

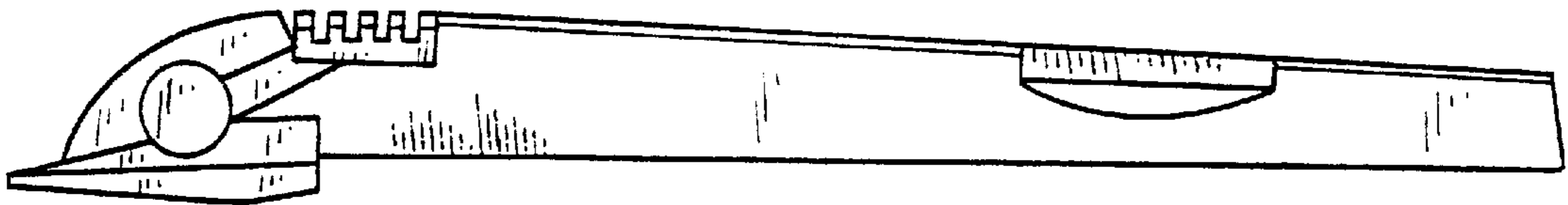


FIG. 4

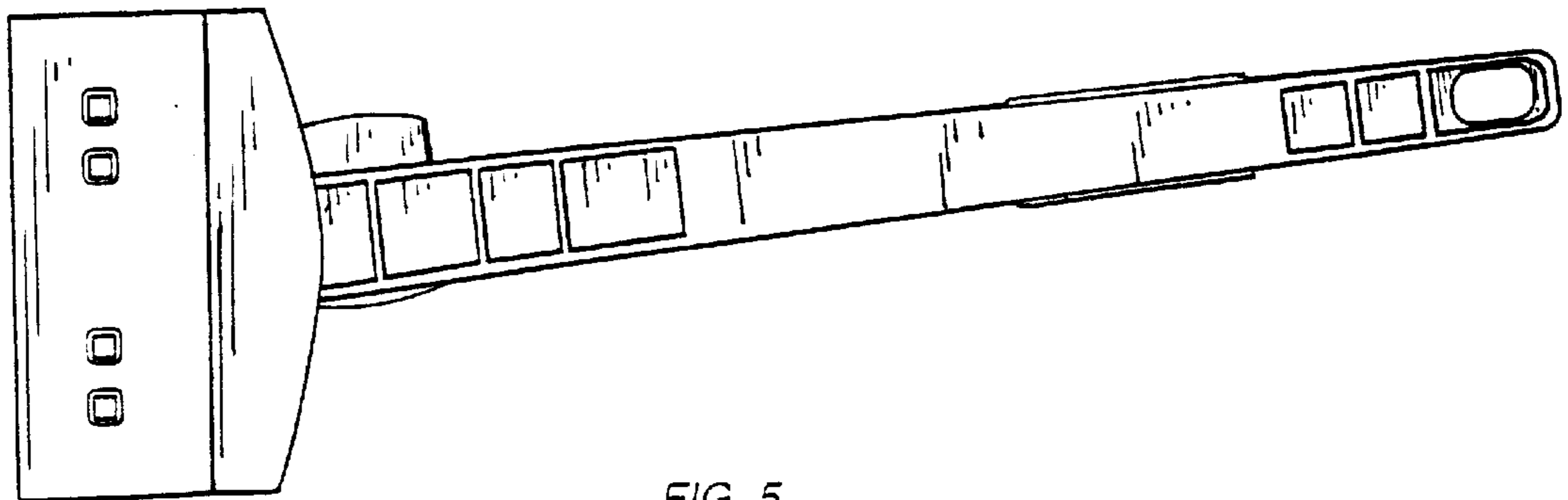


FIG. 5