



US00D441503S

(12) **United States Design Patent**
Liss et al.

(10) **Patent No.:** **US D441,503 S**

(45) **Date of Patent:** **** May 1, 2001**

(54) **MANICURIST TRAY**

(76) Inventors: **James V. Liss; Neva E. Liss**, both of
904 Center St., McHenry, IL (US)
60050

(**) Term: **14 Years**

(21) Appl. No.: **29/125,960**

(22) Filed: **Jul. 3, 2000**

(51) **LOC (7) Cl.** **28-03**

(52) **U.S. Cl.** **D28/61**

(58) **Field of Search** D28/56, 61; D6/476;
D3/205, 313; D19/76, 78, 84, 90, 92; D7/553.7;
D9/307, 347; 206/459.5, 581, 558, 562,
563

(56) **References Cited**

U.S. PATENT DOCUMENTS

D. 199,738	*	12/1964	Davis	D6/476
D. 280,290	*	8/1985	Bakus	D9/347
D. 294,956	*	3/1988	Hagborg et al.	D19/77
D. 401,015	*	11/1998	Sussman	D28/61

* cited by examiner

Primary Examiner—Paula A. Mortimer

(74) *Attorney, Agent, or Firm*—Jon Carl Gealow

(57) **CLAIM**

The ornamental design for a manicurist tray, as shown and described.

DESCRIPTION

The manicurist tray shown in the following drawings has a boomerang shaped base, which supports U-shaped wire elements that form racks for papers or other similar items such as order cards. A platform, having open and closed cylindrical recesses formed therein, for receiving manicurist's implements or supplies, is supported from the base in a raised position by wire legs. Circular and elongated depressions are formed in the boomerang shaped base for receive manicurist's implements or supplies.

FIG. 1 is a perspective view of a manicurist tray showing my new design, the u-shaped wire elements and legs are drawn broken away to show indeterminate length, the broken line showing of the tubular members is for illustrative purposes only and forms no part of the claimed design;

FIG. 2 is a top plan view thereof;

FIG. 3 is a front elevation view thereof;

FIG. 4 is a rear elevation view thereof;

FIG. 5 is a right side elevation view thereof;

FIG. 6 is a left side elevation view thereof; and,

FIG. 7 is a bottom plan view thereof.

1 Claim, 2 Drawing Sheets

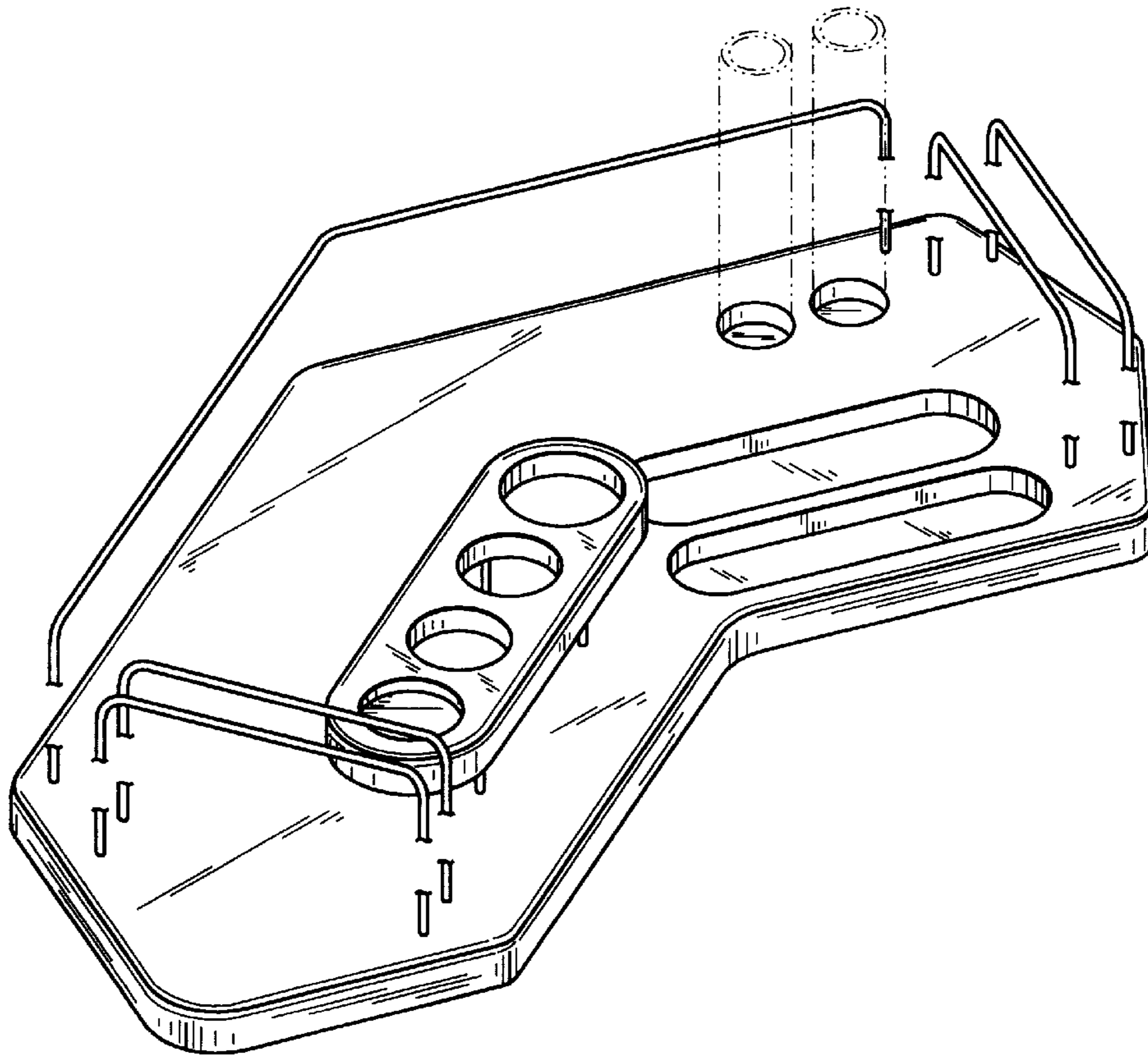


FIG. 1

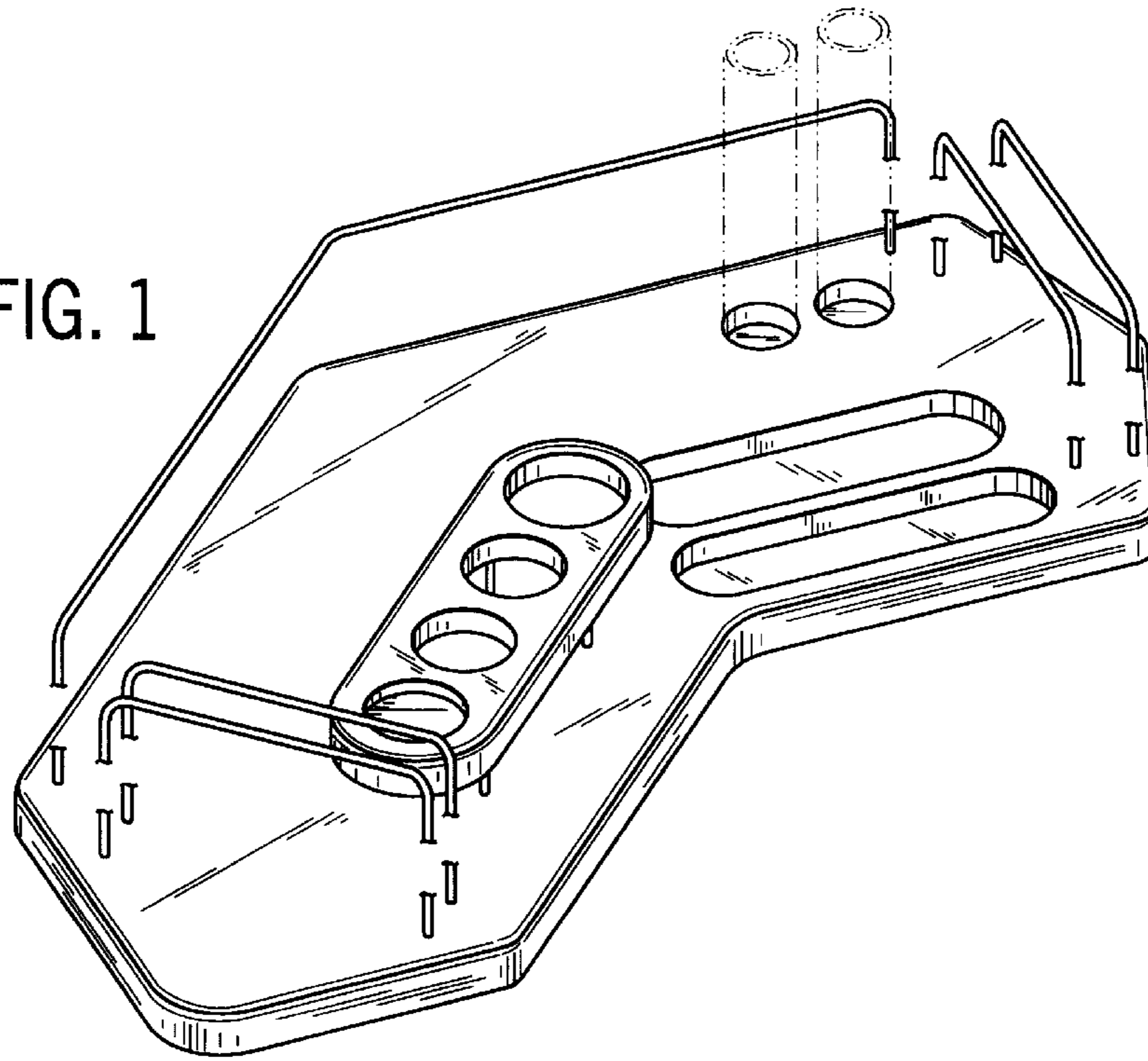


FIG. 2

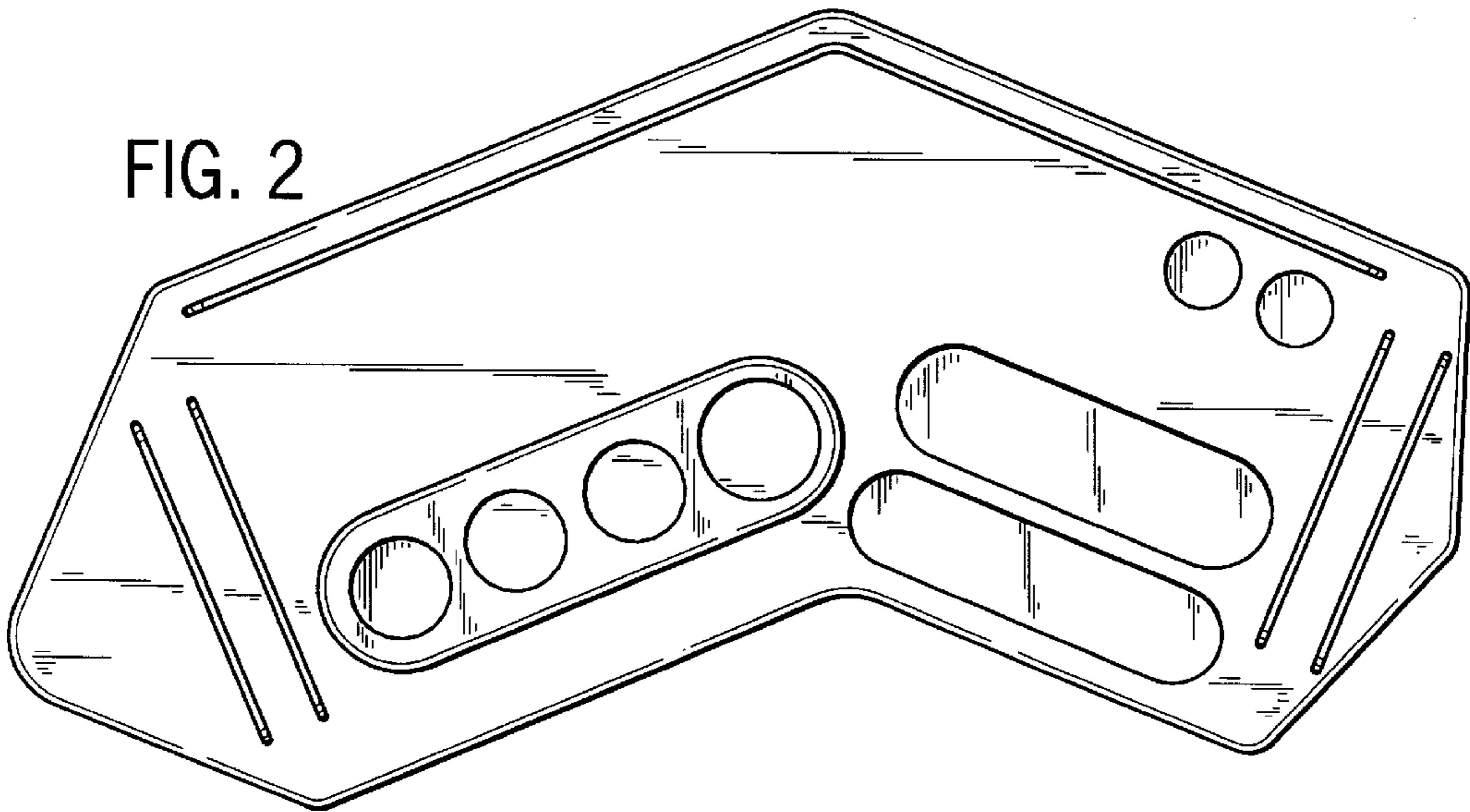


FIG. 3

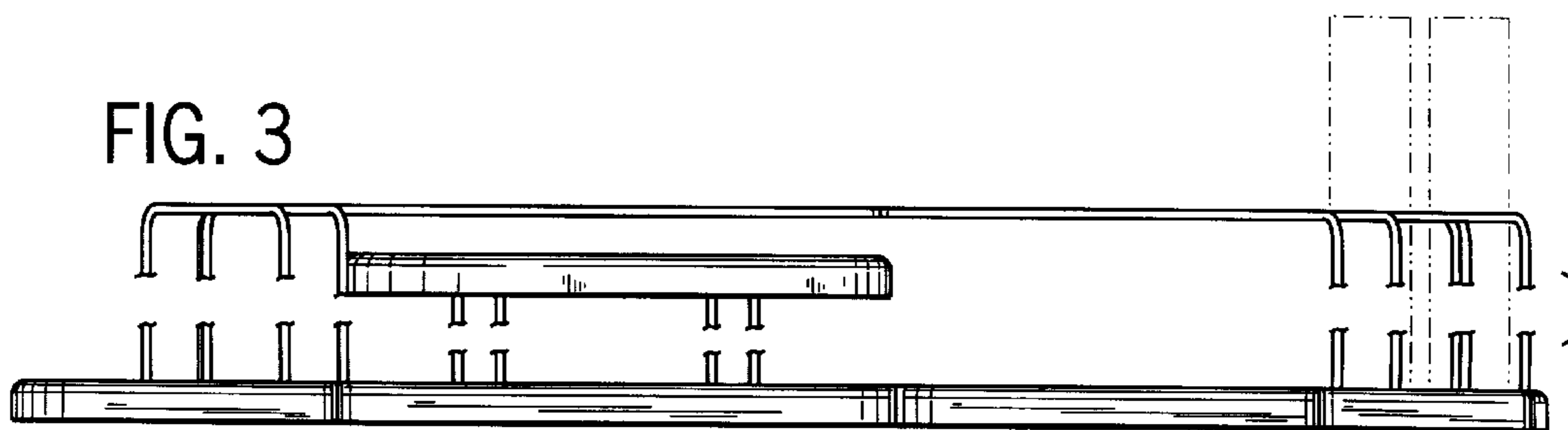


FIG. 4

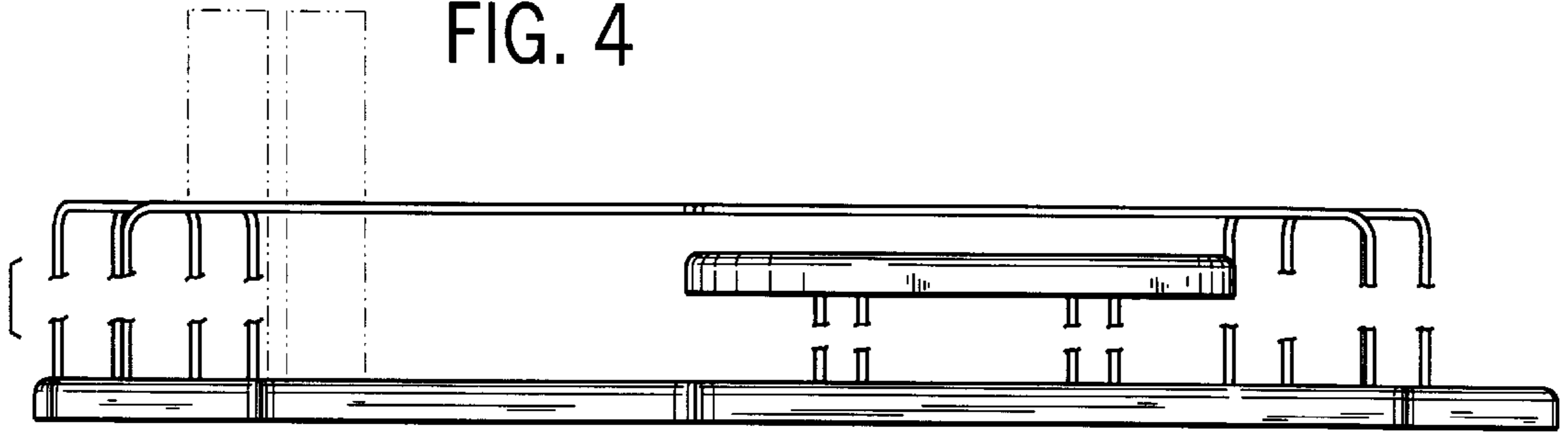


FIG. 5

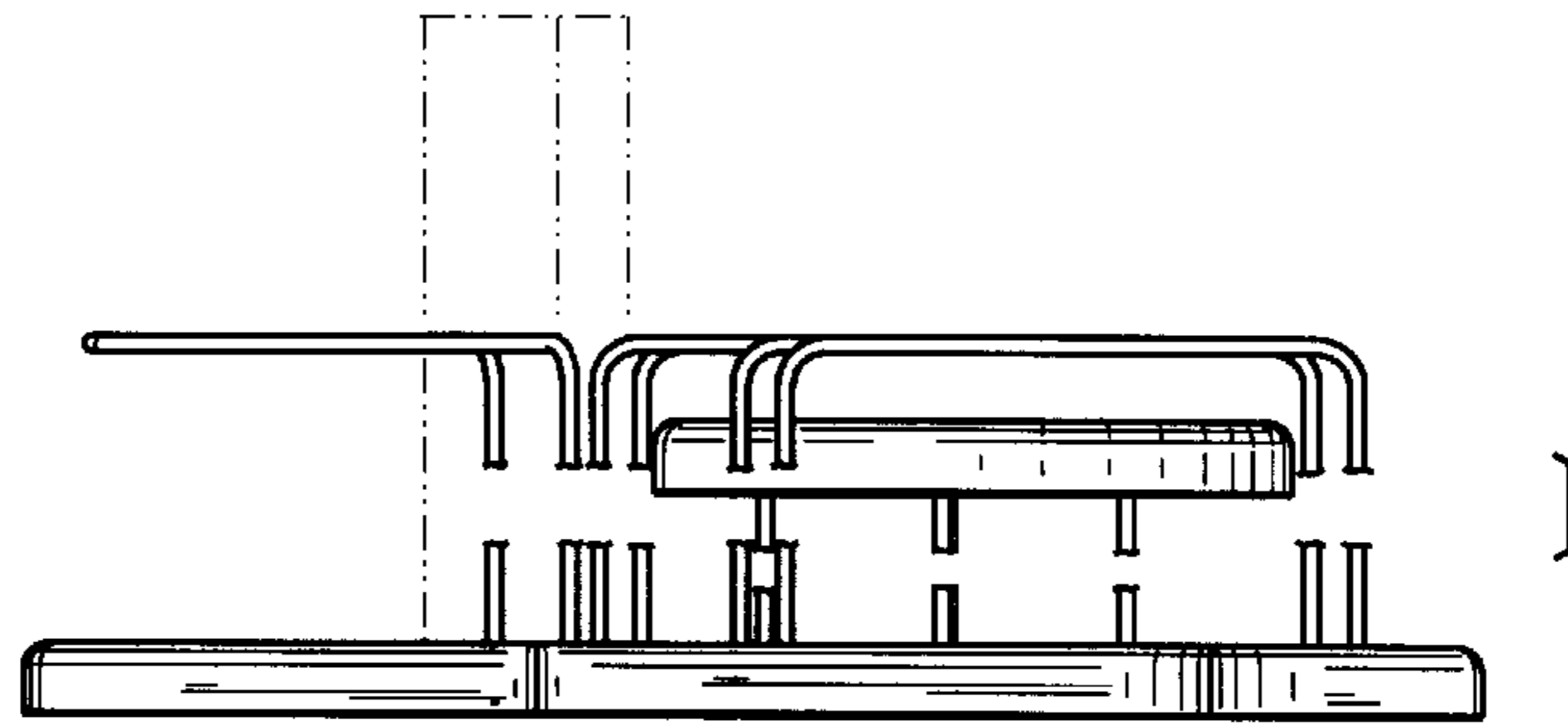


FIG. 6

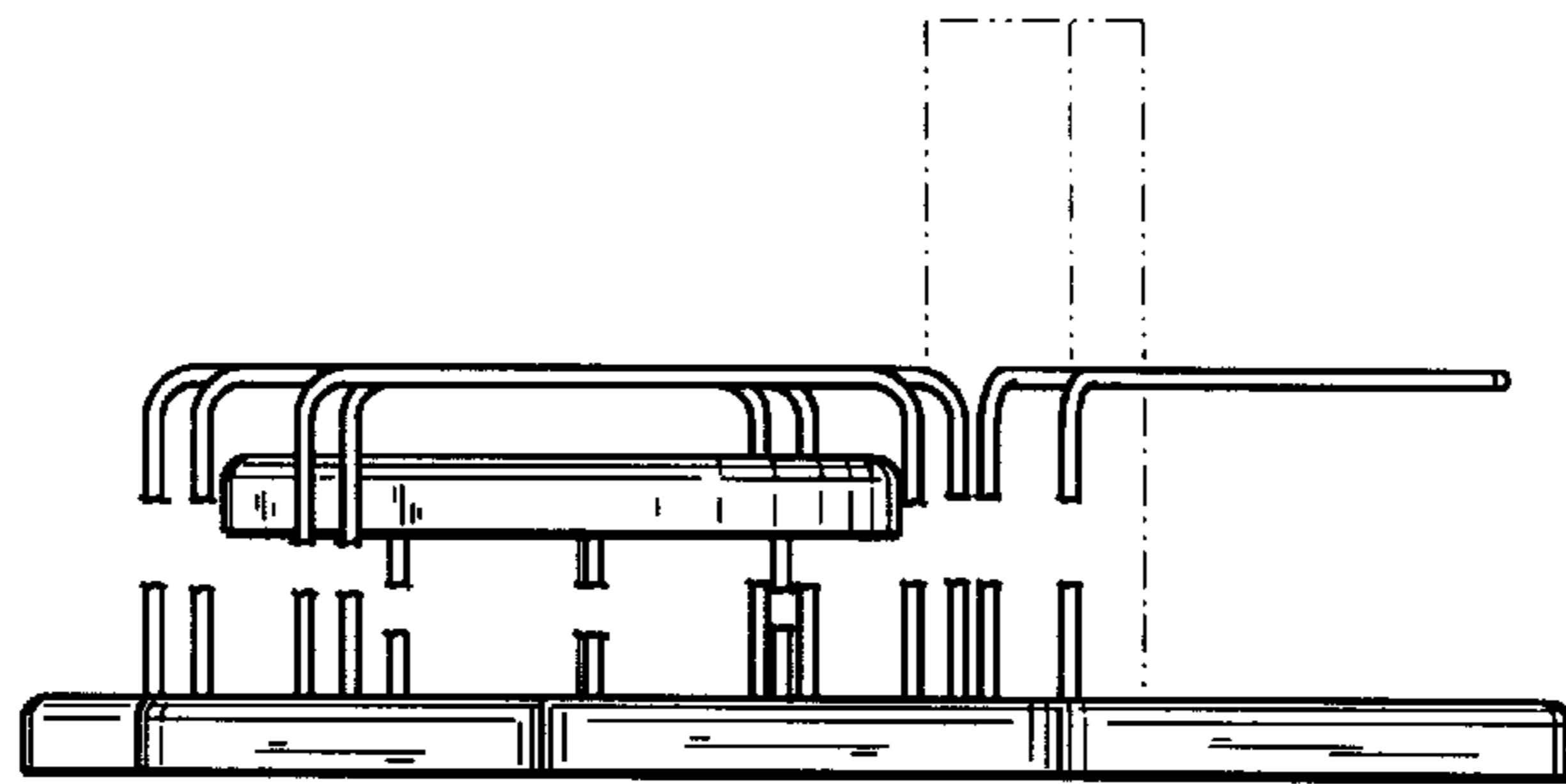


FIG. 7

