



US00D441502S

(12) **United States Design Patent**
Washington

(10) **Patent No.:** **US D441,502 S**

(45) **Date of Patent:** **** May 1, 2001**

(54) **FINGERNAIL ENHANCEMENT**

(76) Inventor: **Michele Washington**, P.O. Box 83415,
Phoenix, AZ (US) 85071

(**) Term: **14 Years**

(21) Appl. No.: **29/128,274**

(22) Filed: **Aug. 21, 2000**

Related U.S. Application Data

(62) Division of application No. 29/105,812, filed on Jun. 3,
1999, now Pat. No. Des. 434,529.

(51) **LOC (7) Cl.** **28-03**

(52) **U.S. Cl.** **D28/56**

(58) **Field of Search** **D28/56; 132/73**

(56) **References Cited**

U.S. PATENT DOCUMENTS

- D. 295,451 4/1988 Mast .
- D. 314,712 2/1991 Samaras .
- D. 314,727 2/1991 Samaras .
- D. 376,224 12/1996 Fojon .
- D. 380,887 * 7/1997 Agee, II et al. D28/56
- D. 384,440 9/1997 Meyerovich .
- 1,135,382 4/1915 Kindred .
- 1,942,332 1/1934 Hamberg .
- 2,234,657 3/1941 Smaldone .
- 2,607,356 8/1952 Lewis .
- 2,746,460 5/1956 Jellinek .
- 2,799,282 7/1957 Slack .
- 2,941,535 6/1960 Lappe .
- 3,487,831 1/1970 Jaume .
- 3,502,088 3/1970 Jarby .
- 3,750,684 8/1973 Russell .
- 3,967,631 7/1976 Kosal .
- 3,993,084 11/1976 Cullen .
- 4,106,614 8/1978 Aylott .
- 4,625,740 12/1986 Roth .
- 4,632,134 12/1986 Reid .
- 4,751,935 6/1988 Mast et al. .
- 4,767,648 * 8/1988 Hokama et al. 132/73 X

- 4,824,702 4/1989 Straub .
- 4,920,991 5/1990 Shibahashi et al. .
- 4,926,890 5/1990 Hoskins .
- 4,947,876 8/1990 Larsen .
- 4,960,138 10/1990 Kling .
- 5,070,892 12/1991 Trematerra .
- 5,121,760 6/1992 Ward .
- 5,282,276 2/1994 Preziose .
- 5,372,150 12/1994 Hughes .
- 5,450,864 9/1995 LaJoie et al. .
- 5,467,787 11/1995 Mast et al. .
- 5,638,835 6/1997 Franz, et al. .
- 5,699,813 12/1997 Carroll .
- 5,724,999 3/1998 Kim .
- 5,916,653 6/1999 Kunstadter, et al. .
- 5,924,427 7/1999 Jensen .
- 5,928,457 7/1999 Engler .

FOREIGN PATENT DOCUMENTS

- 725969 3/1955 (DE) .
- 1072931 9/1954 (FR) .
- 81 11414 12/1981 (FR) .

* cited by examiner

Primary Examiner—Dominic Simone

(74) *Attorney, Agent, or Firm*—Schmeiser, Olsen & Watts

(57) **CLAIM**

The ornamental design for the fingernail enhancement, as shown.

DESCRIPTION

FIG. 1 is a perspective view of a fingernail enhancement showing my new design;

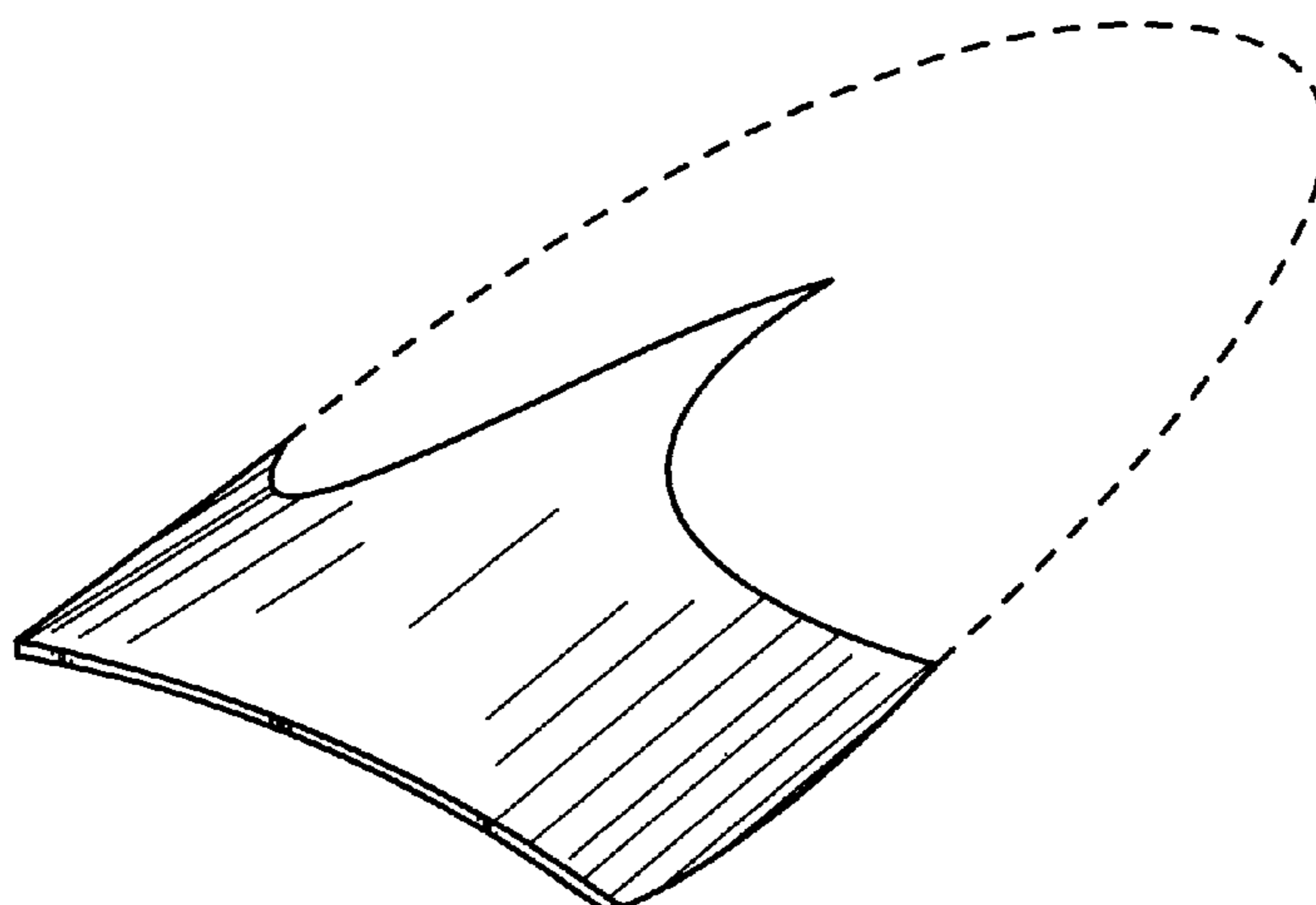
FIG. 2 is a top plan view of the fingernail enhancement in FIG. 1;

FIG. 3 is a side elevational view of the fingernail enhancement in FIG. 1;

FIG. 4 is a front elevational view of the fingernail enhancement in FIG. 1; and,

FIG. 5 is a cross-sectional view of the fingernail enhancement in FIG. 1 taken along line 5—5 shown in FIG. 1.

1 Claim, 1 Drawing Sheet



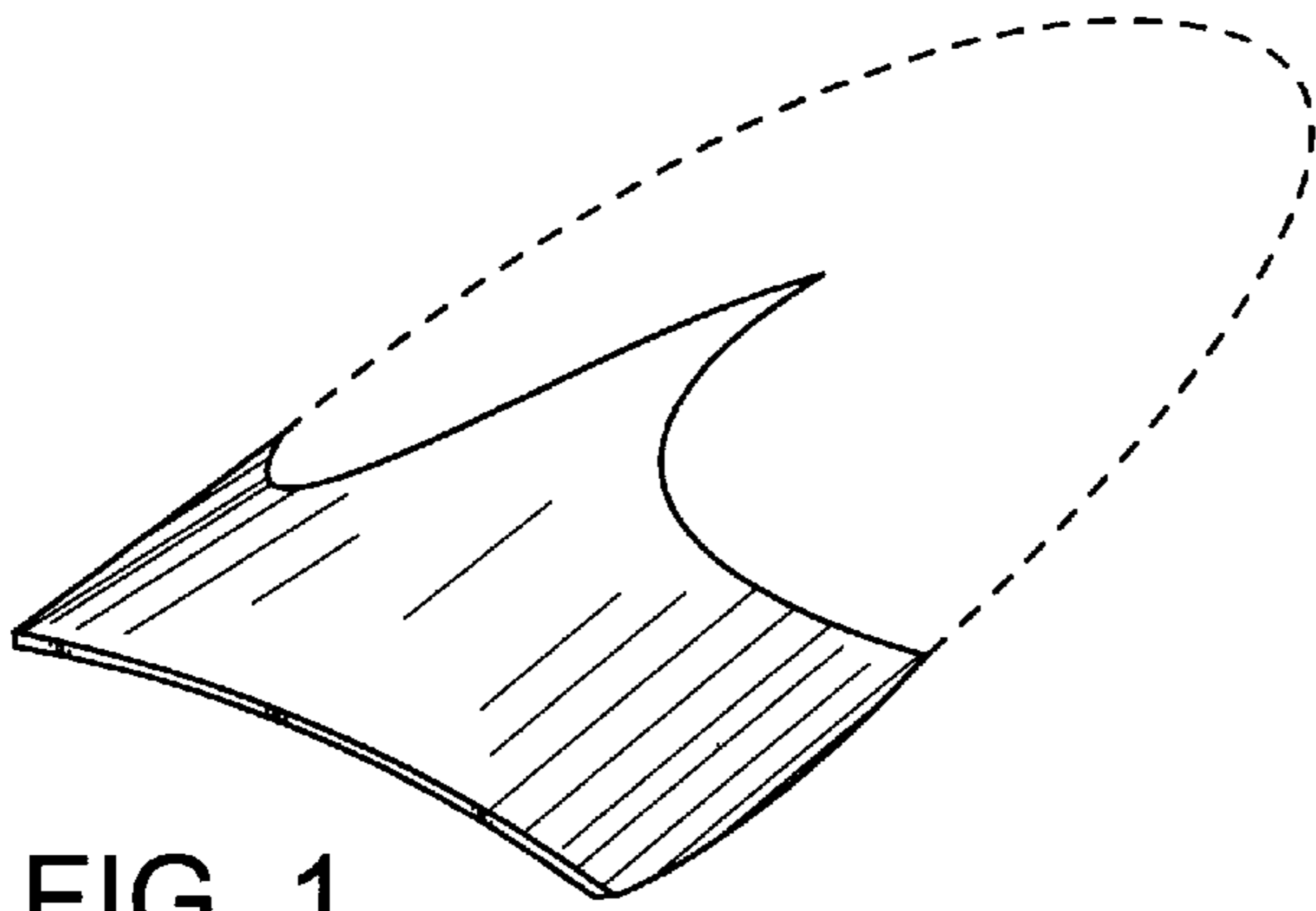


FIG. 1

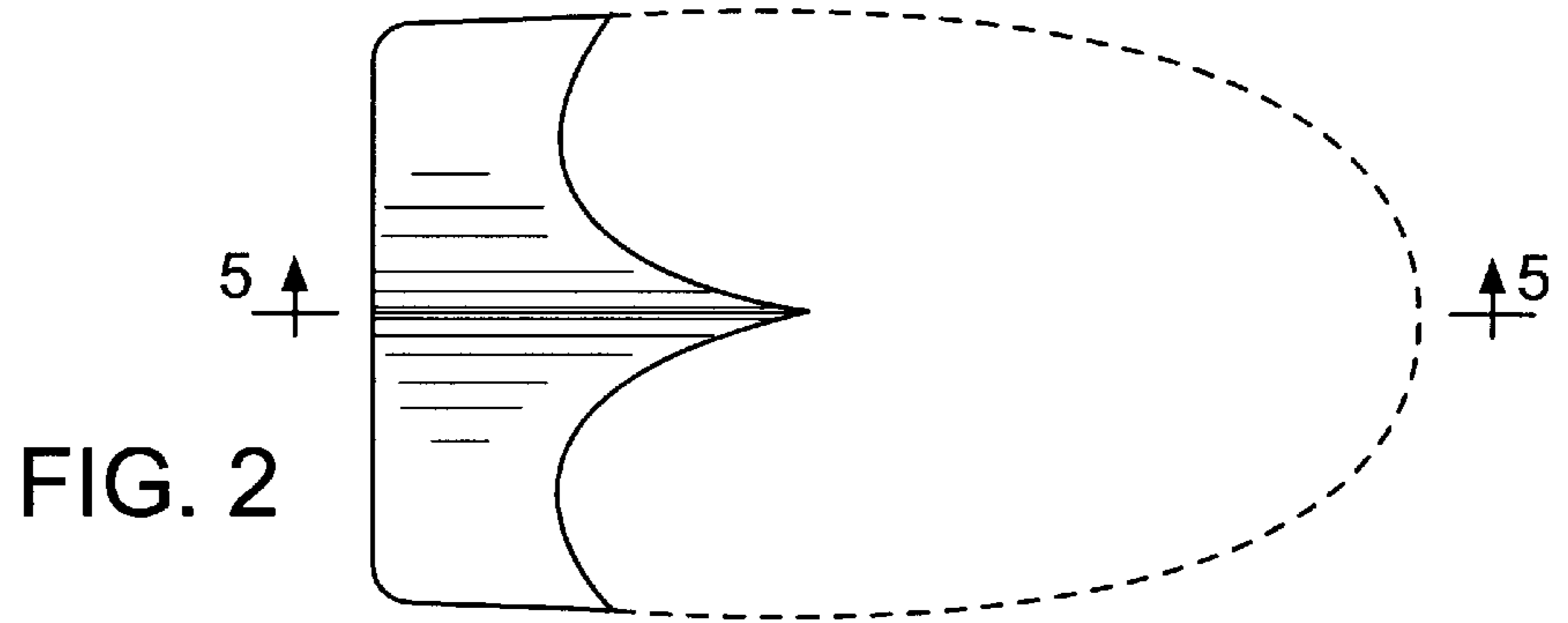


FIG. 2

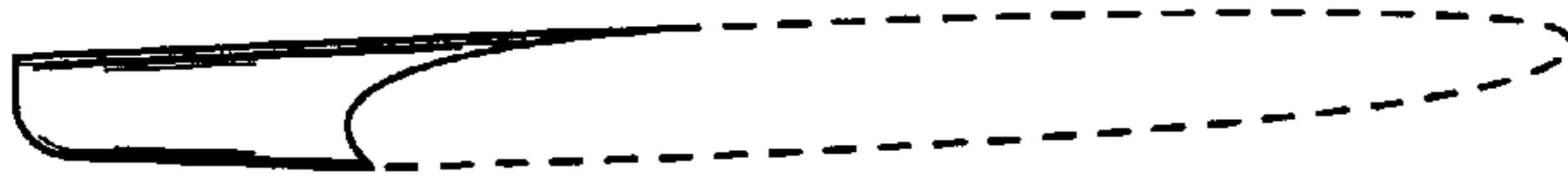


FIG. 3

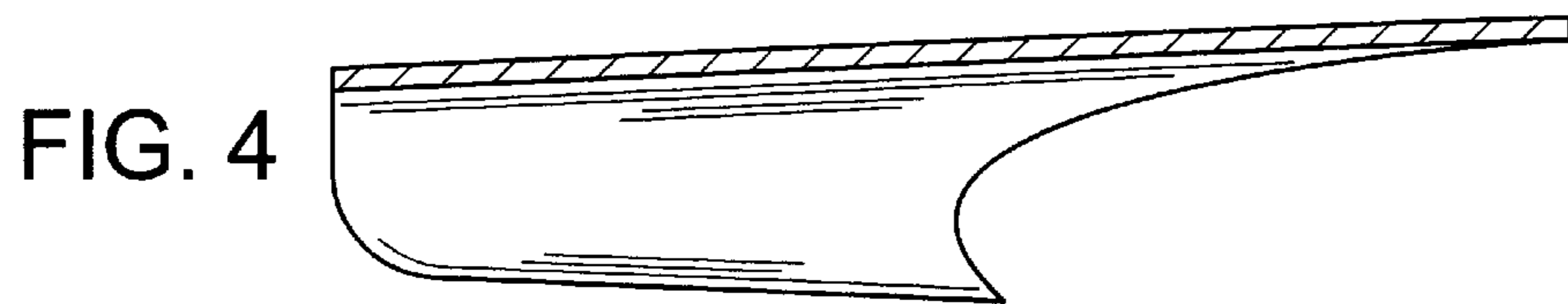


FIG. 4

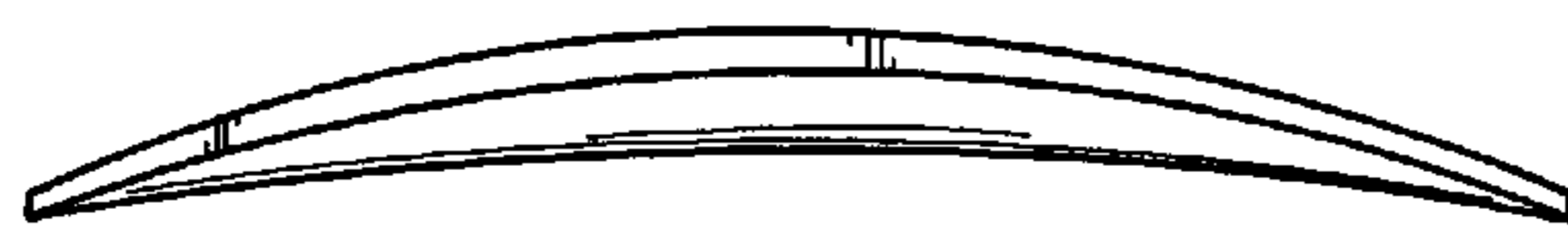


FIG. 5