



US00D441494S

(12) **United States Design Patent**
Chen

(10) **Patent No.:** **US D441,494 S**

(45) **Date of Patent:** **** May 1, 2001**

(54) **TRANSPARENT CIGARETTE LIGHTER CASE**

(76) Inventor: **Hui Lin Chen**, 971 Meridian,
Alhambra, CA (US) 91803

(**) Term: **14 Years**

(21) Appl. No.: **29/112,441**

(22) Filed: **Oct. 16, 1999**

(51) **LOC (7) Cl.** **27-05**

(52) **U.S. Cl.** **D27/144; D27/161**

(58) **Field of Search** **D3/207, 208, 212;**
D27/161, 172, 186, 188, 193; 206/85-89,
38.1; 431/253

(56) **References Cited**

U.S. PATENT DOCUMENTS

D. 283,734	*	5/1986	Parren	D27/153
D. 378,622	*	3/1997	Dimopoulos	D27/144
D. 391,810	*	3/1998	Cooper	D3/208
5,271,730	*	12/1993	Acacio da Silva	431/253
5,682,981	*	11/1997	Sudborough	206/38.1

* cited by examiner

Primary Examiner—Susan J. Lucas
Assistant Examiner—Jennifer Rivard
(74) *Attorney, Agent, or Firm*—Intellectual Property Law
Group; Otto O. Lee; Takashi Hashimoto

(57) **CLAIM**

The ornamental design for a transparent cigarette lighter case, as shown and described.

DESCRIPTION

FIG. 1 is a perspective view of the transparent cigarette lighter case showing the new design.

FIG. 2 is a front elevational view thereof.

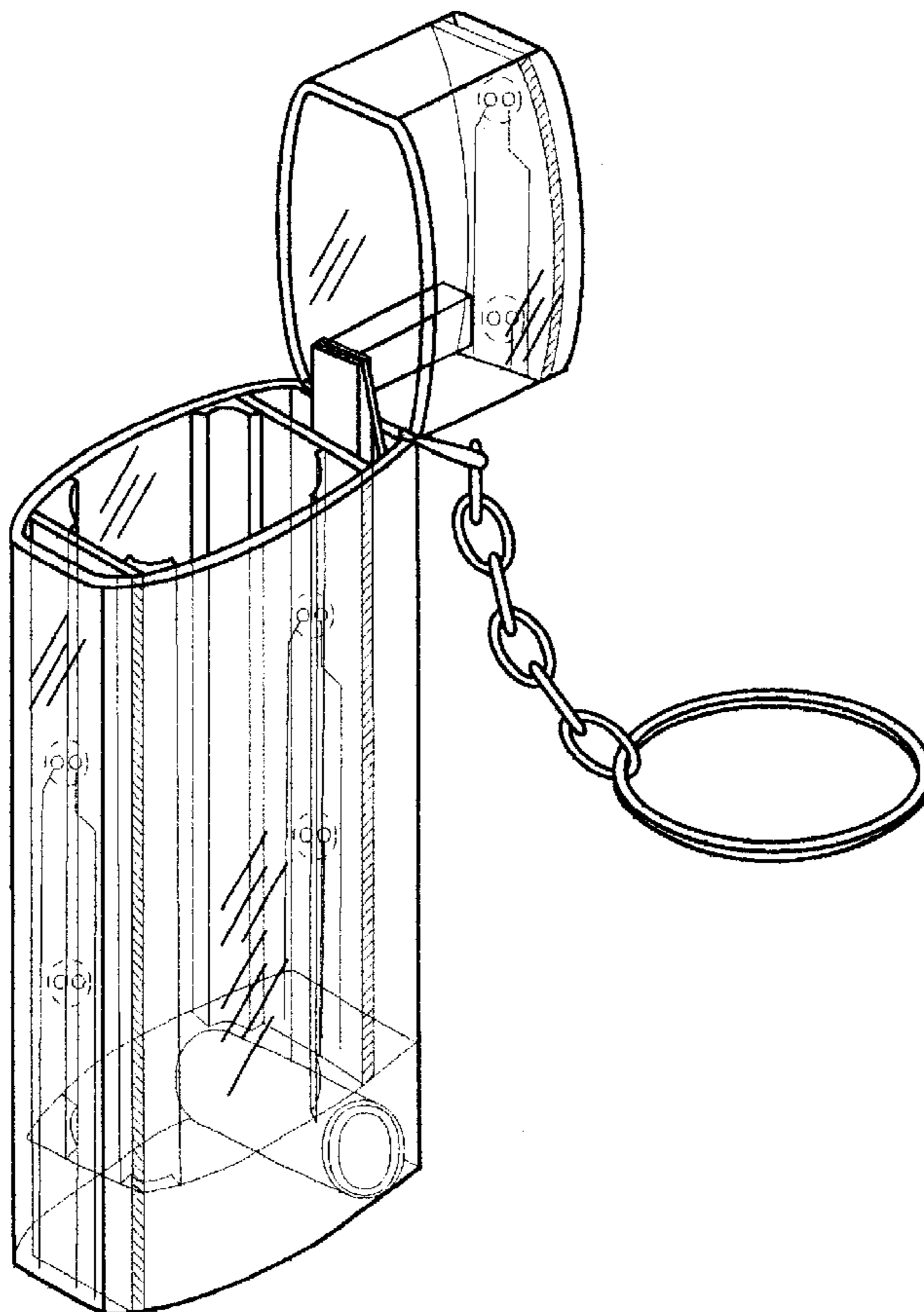
FIG. 3 is a side elevational view thereof.

FIG. 4 is a top plan view thereof; and,

FIG. 5 is a front elevational view showing the interior design of the case viewable through the transparent cover.

The key ring has been omitted from the disclosure of FIG. 5 for convenience of illustration.

1 Claim, 2 Drawing Sheets



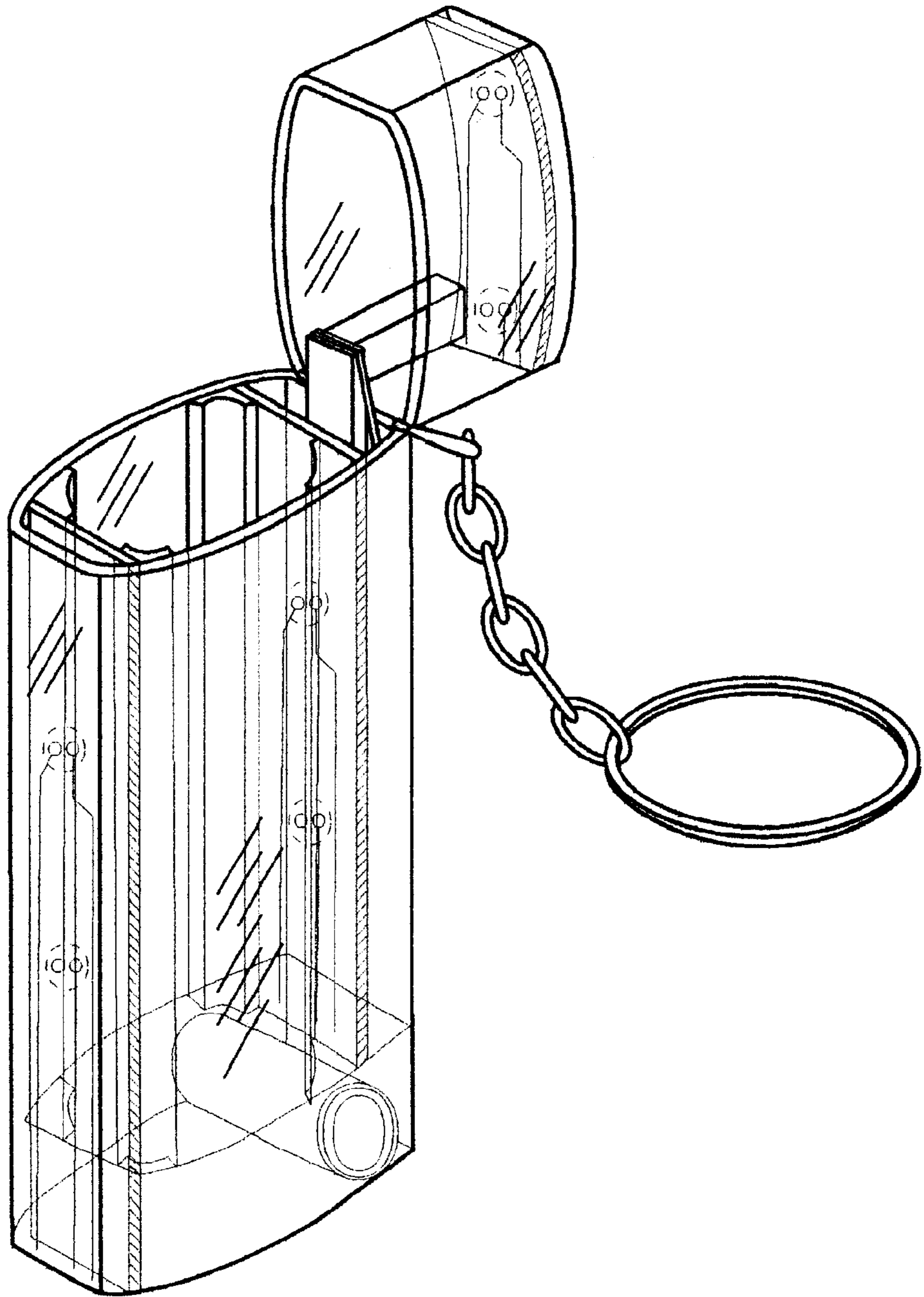


FIG. 1

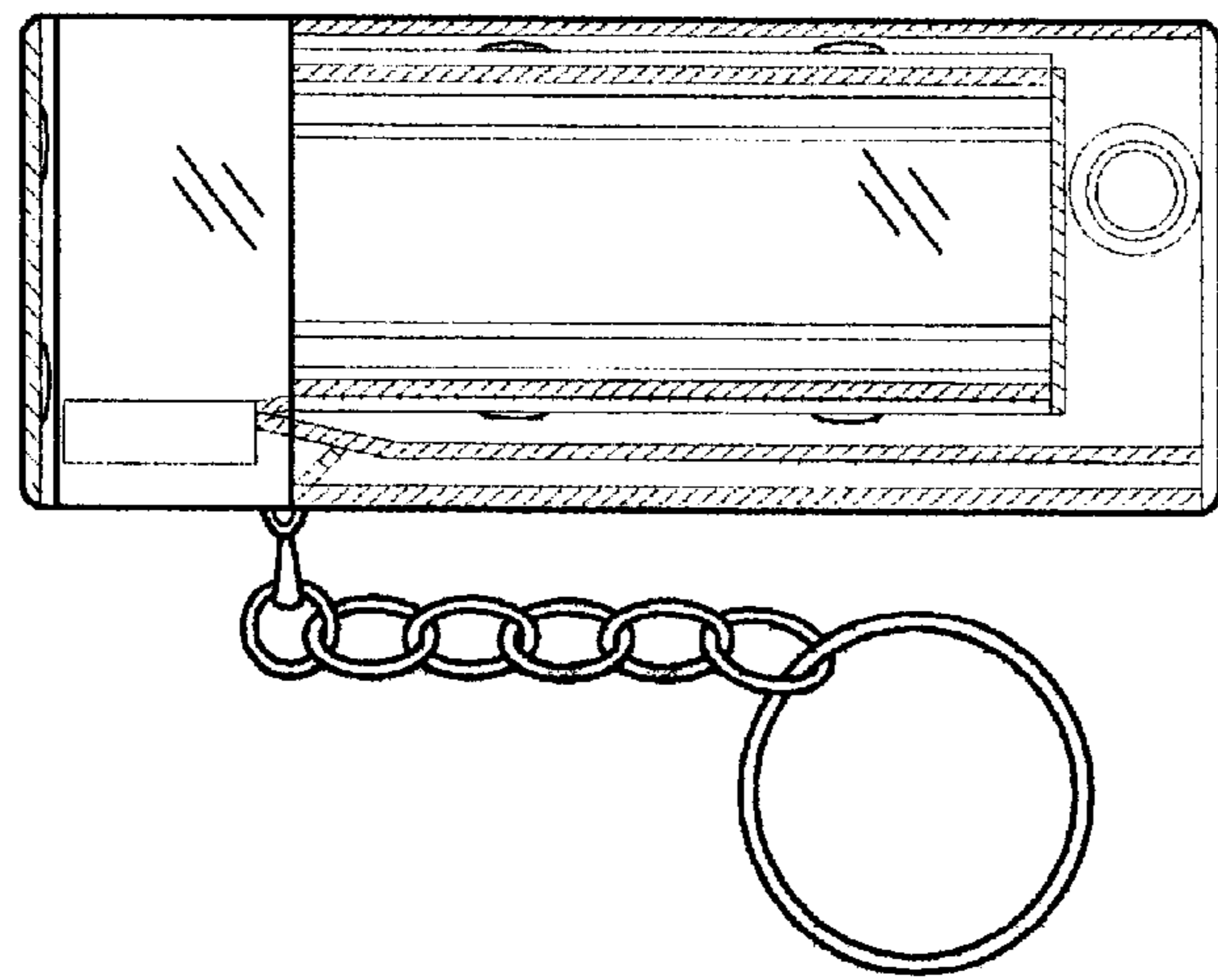


FIG. 2

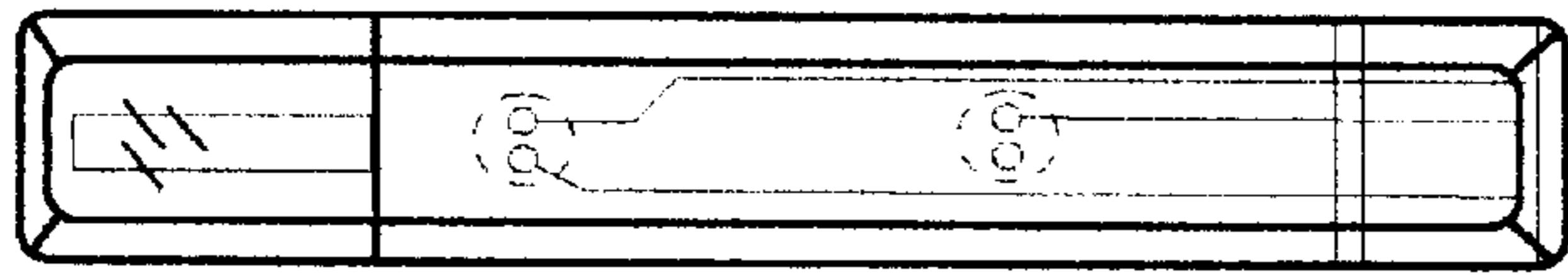


FIG. 3

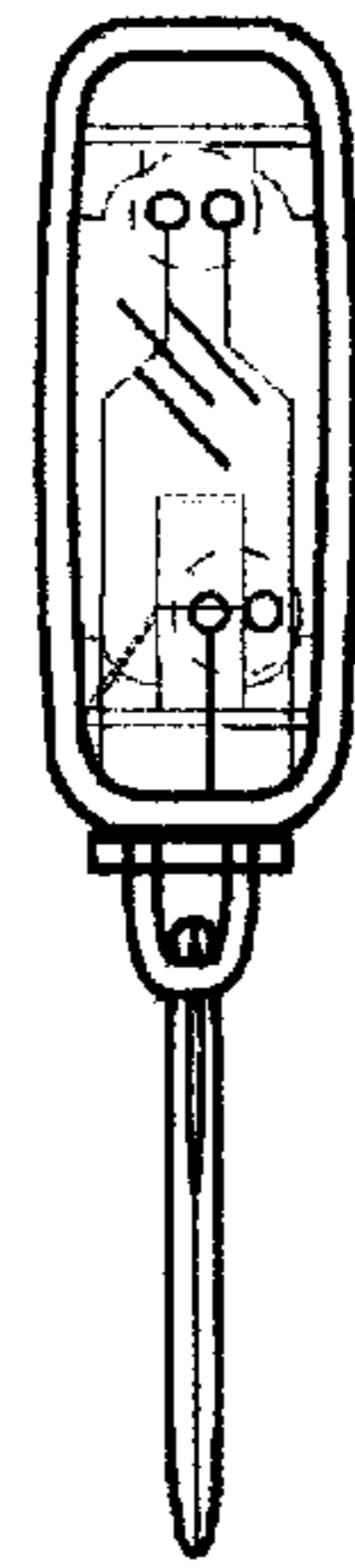


FIG. 4

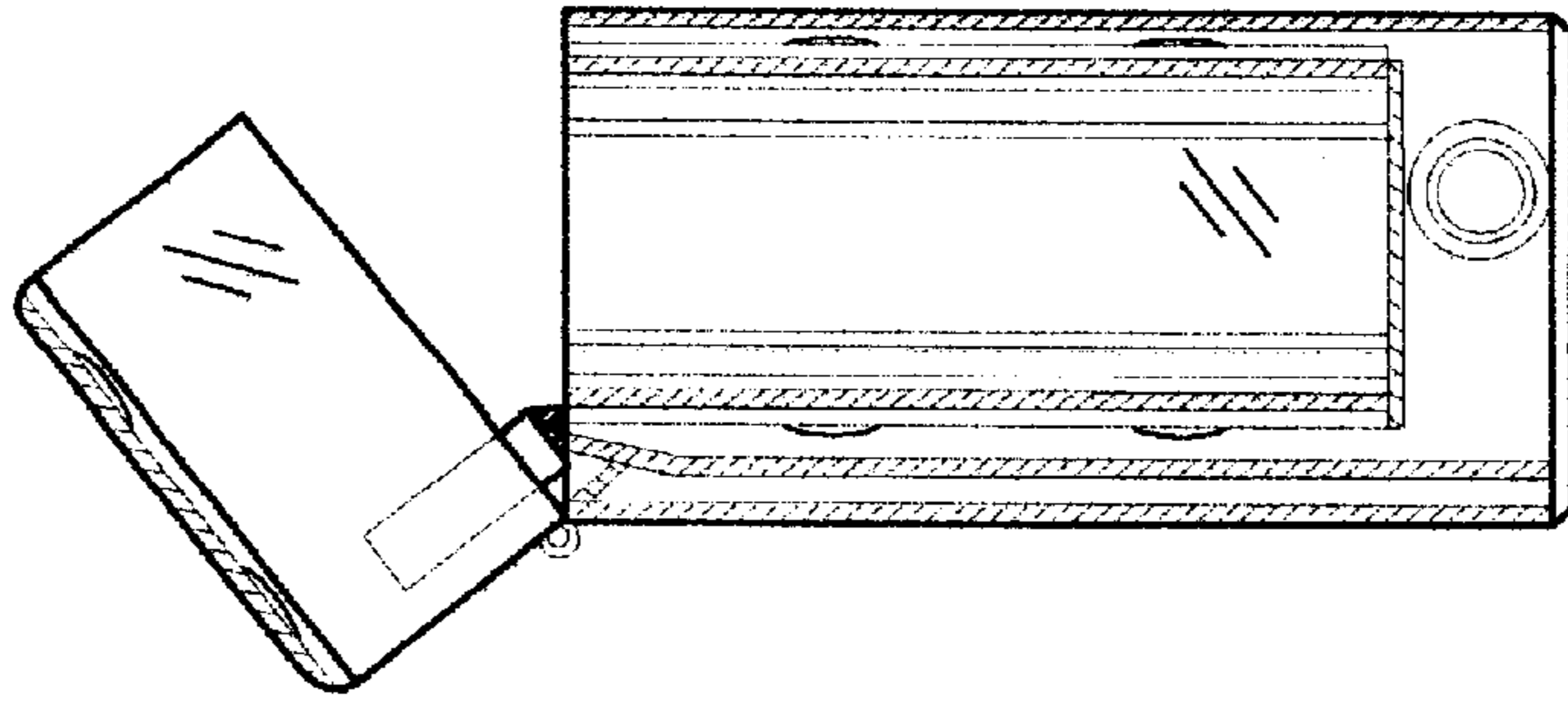


FIG. 5