



US00D441491S

(12) **United States Design Patent**
Leen

(10) **Patent No.:** **US D441,491 S**

(45) **Date of Patent:** **** May 1, 2001**

(54) **PORTABLE WORK LIGHT STAND**

(76) **Inventor:** **Monte A. Leen**, 11730 NE. 12th St.,
Bellevue, WA (US) 98005

(**) **Term:** **14 Years**

(21) **Appl. No.:** **29/109,912**

(22) **Filed:** **Aug. 25, 1999**

(51) **LOC (7) Cl.** **26-99**

(52) **U.S. Cl.** **D26/138**

(58) **Field of Search** D26/138, 63; 362/269,
362/275, 287, 376, 410-414, 418-419,
421, 427

(56) **References Cited**

U.S. PATENT DOCUMENTS

D. 369,227	4/1996	Sumer	D26/63
D. 375,377	* 11/1996	Leen	D26/63
D. 385,640	10/1997	Leen	D26/63
D. 388,209	* 12/1997	Grossman et al.	D26/63
D. 395,140	* 6/1998	O'Rourke	D26/140
D. 396,320	* 7/1998	Patterson	D26/140

D. 403,094	* 12/1998	Grossman et al.	D26/63
D. 403,455	* 12/1998	Duenes	D26/63
3,326,509	* 6/1967	Kuttler	248/176.1 X
5,295,811	* 3/1994	Chiu	248/127 X

* cited by examiner

Primary Examiner—Holly Baynham

(74) *Attorney, Agent, or Firm*—Dean A. Craine

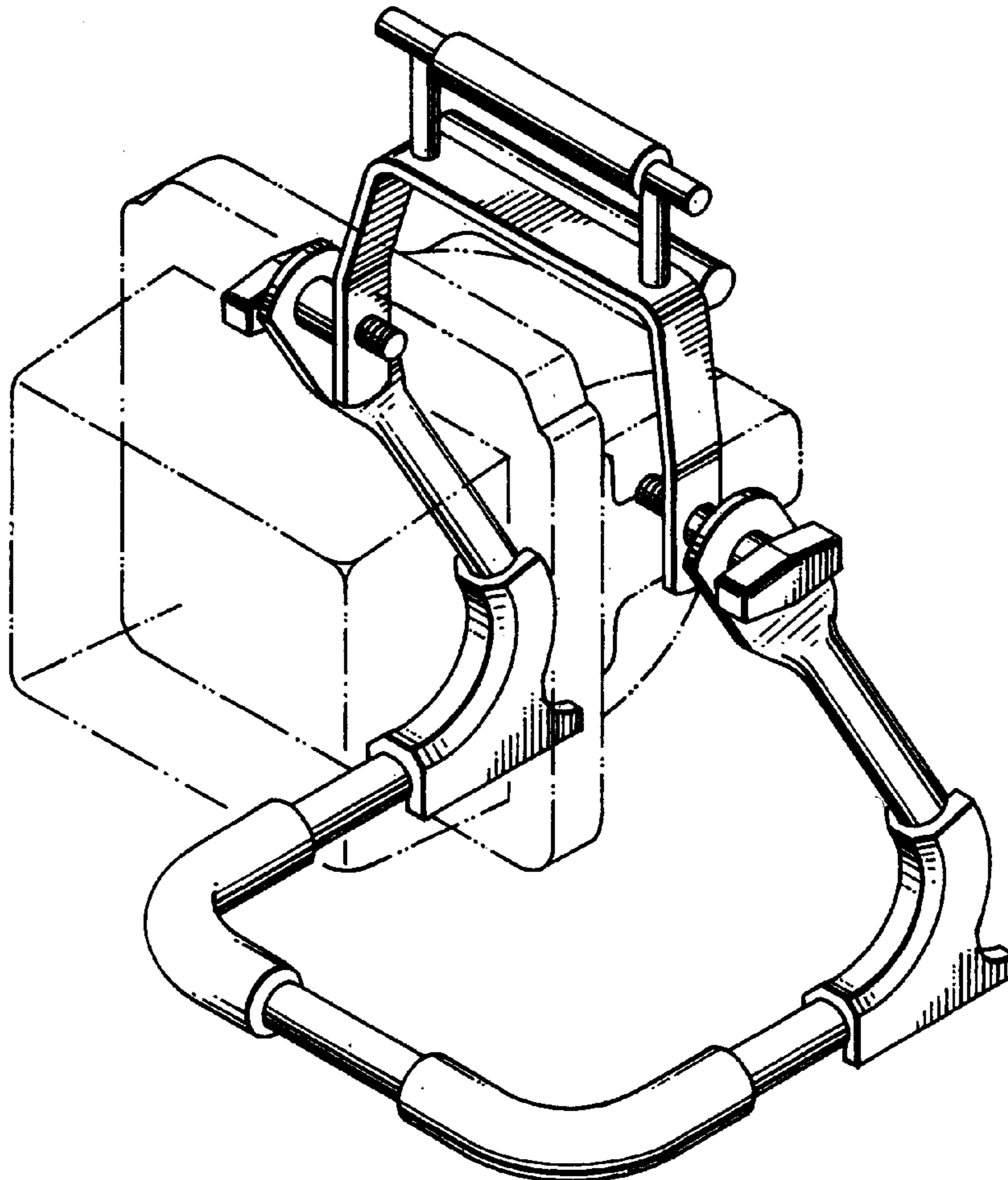
(57) **CLAIM**

The ornamental design for a portable work light stand, as shown and described.

DESCRIPTION

FIG. 1 is a perspective view of a portable work light stand. FIG. 2 is a left side elevational view of the invention. FIG. 3 is a right side elevational view of the invention. FIG. 4 is a front elevational view of the invention. FIG. 5 is a rear elevational view of the invention. FIG. 6 is a top plan view of the invention; and, FIG. 7 is a bottom plan view of the invention. The broken line showing of a light is for illustrative purposes only and forms no part of the claimed design.

1 Claim, 2 Drawing Sheets



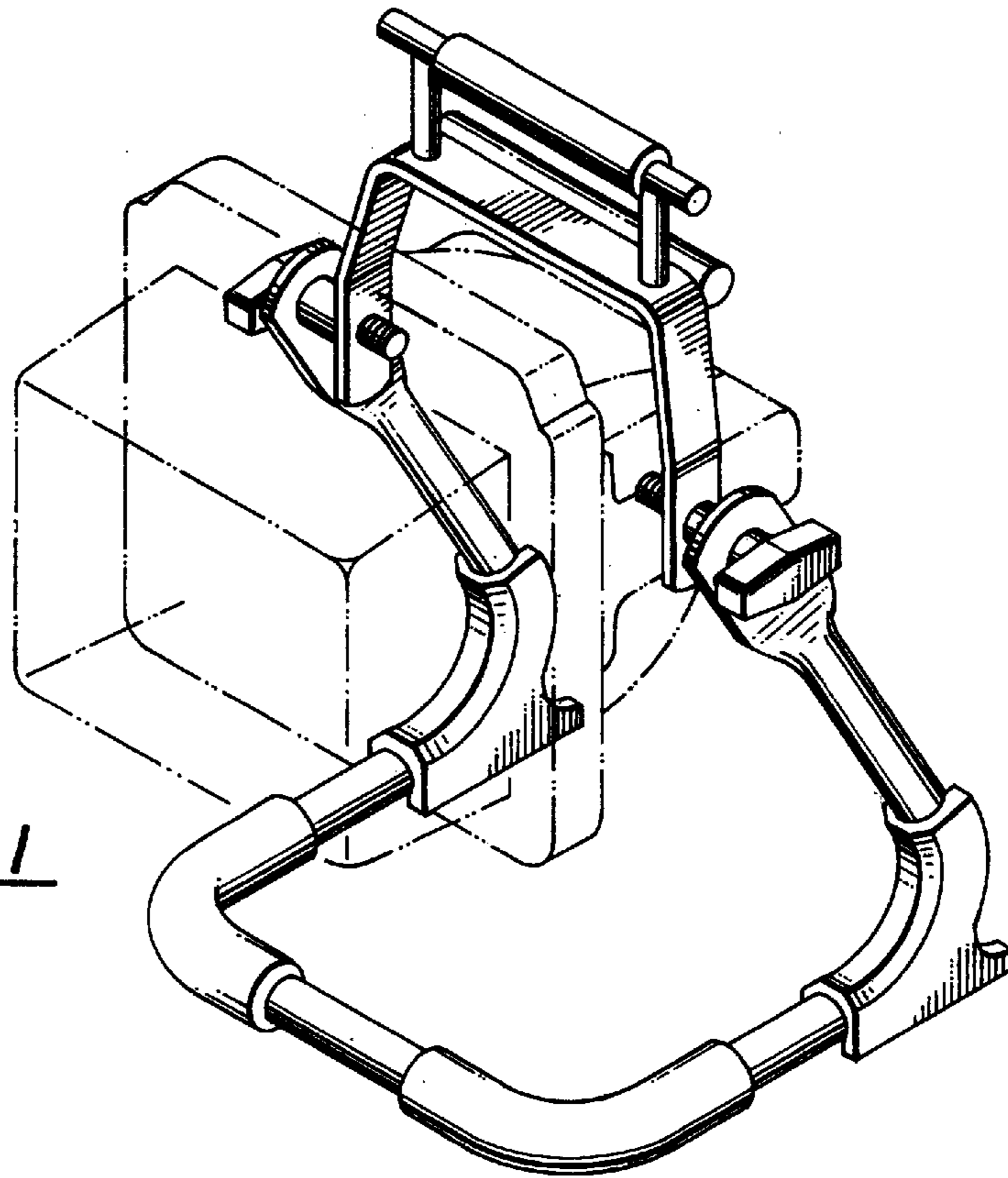


FIG. 1

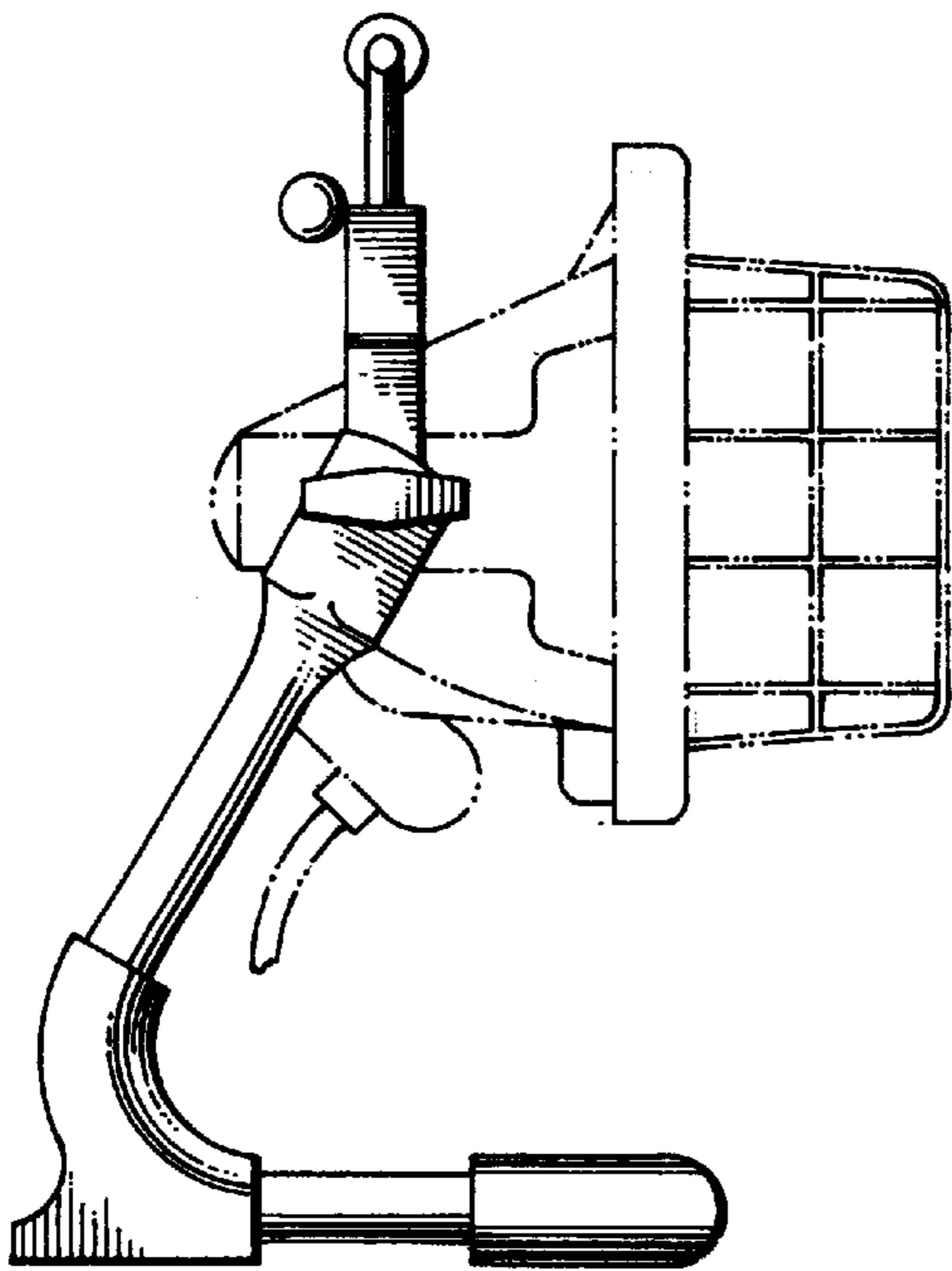


FIG. 2

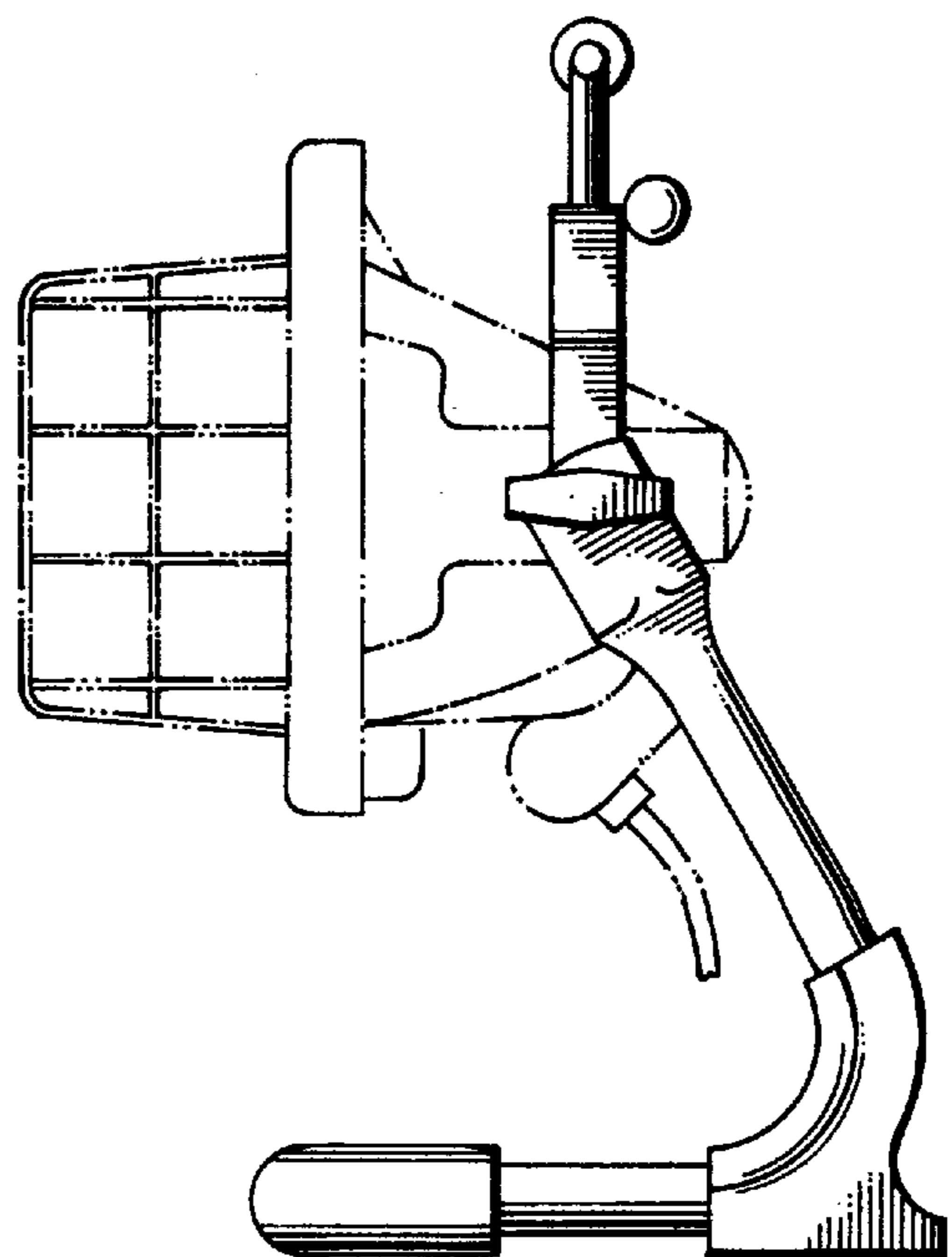


FIG. 3

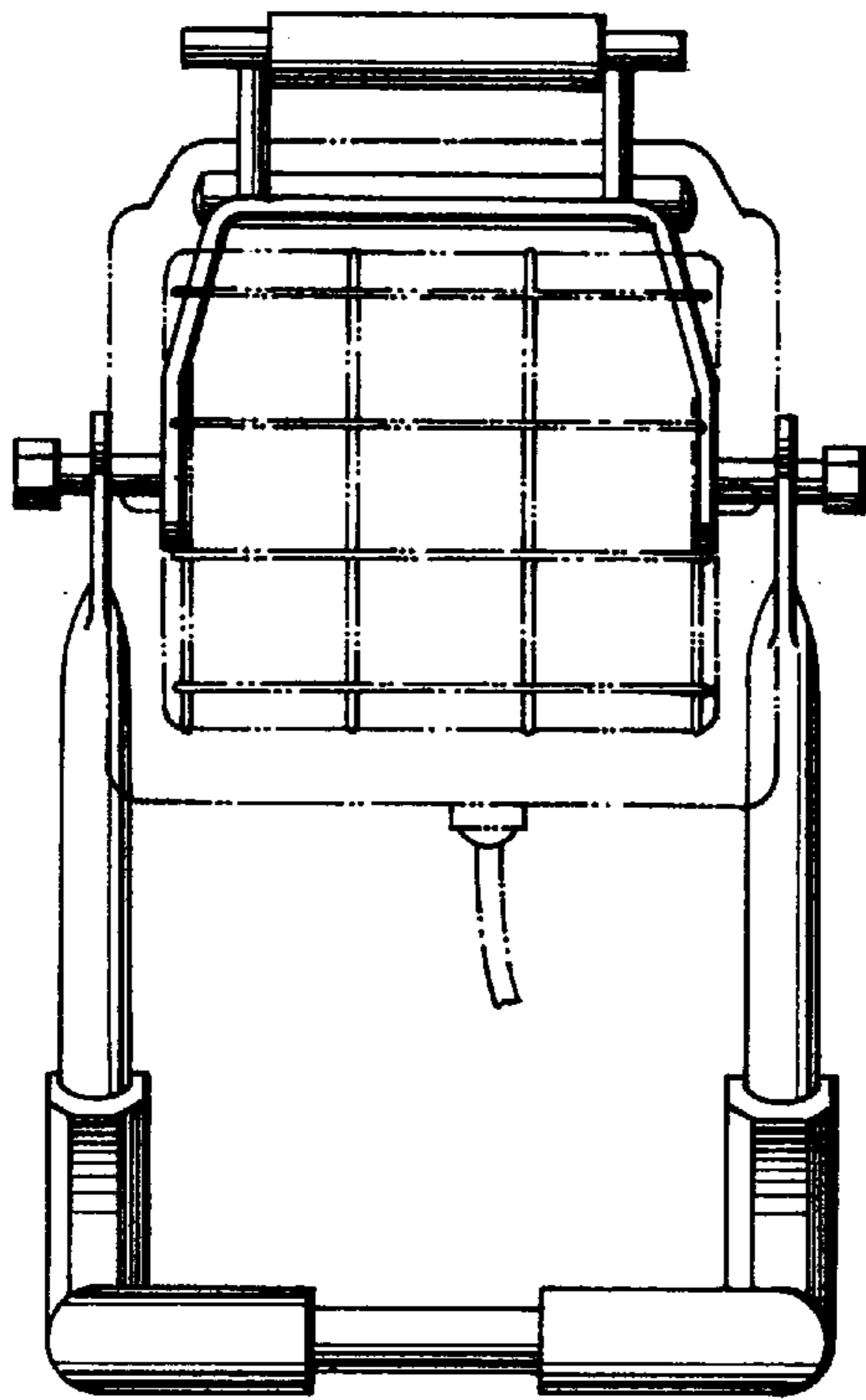


FIG. 4

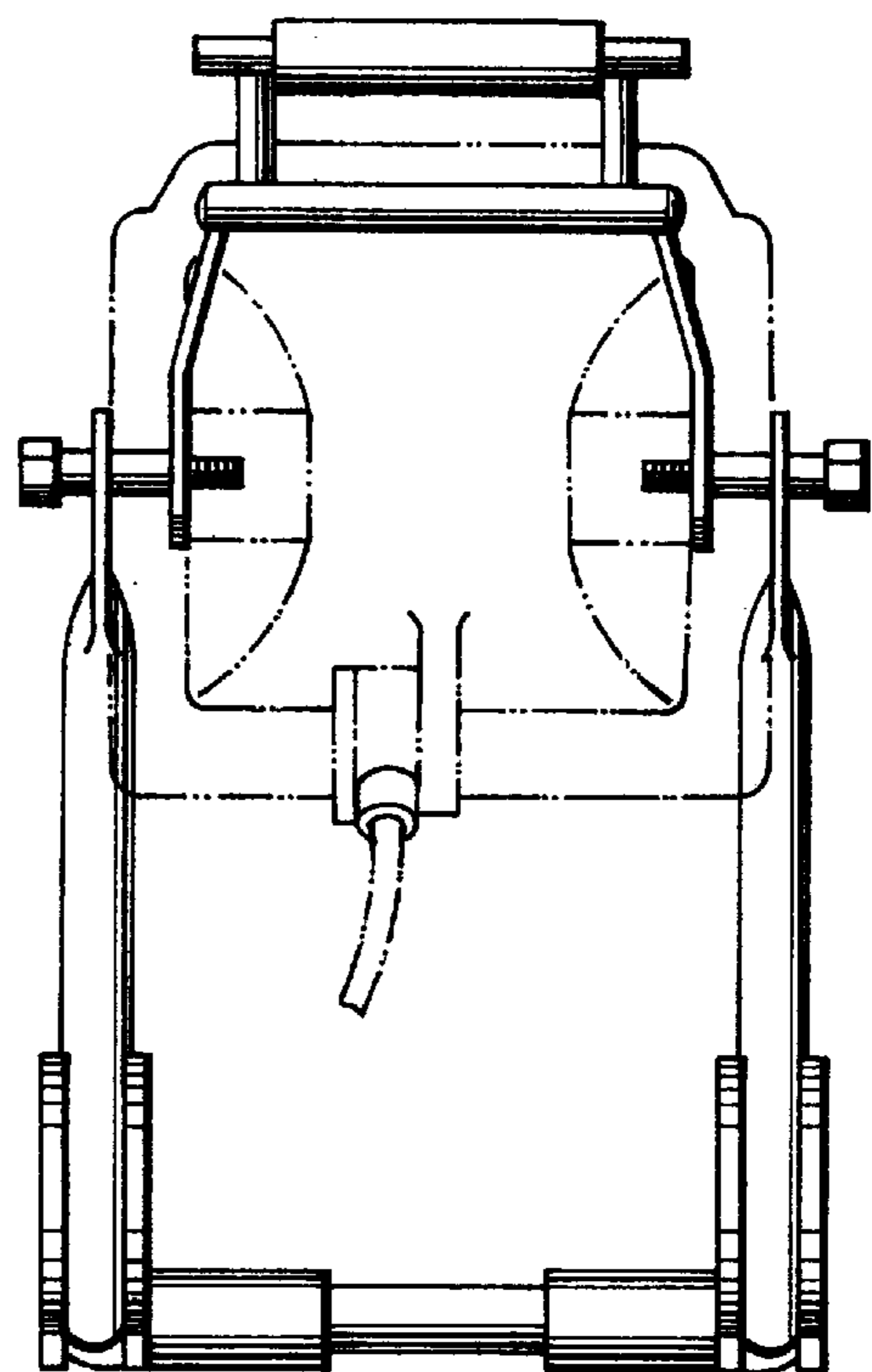


FIG. 5

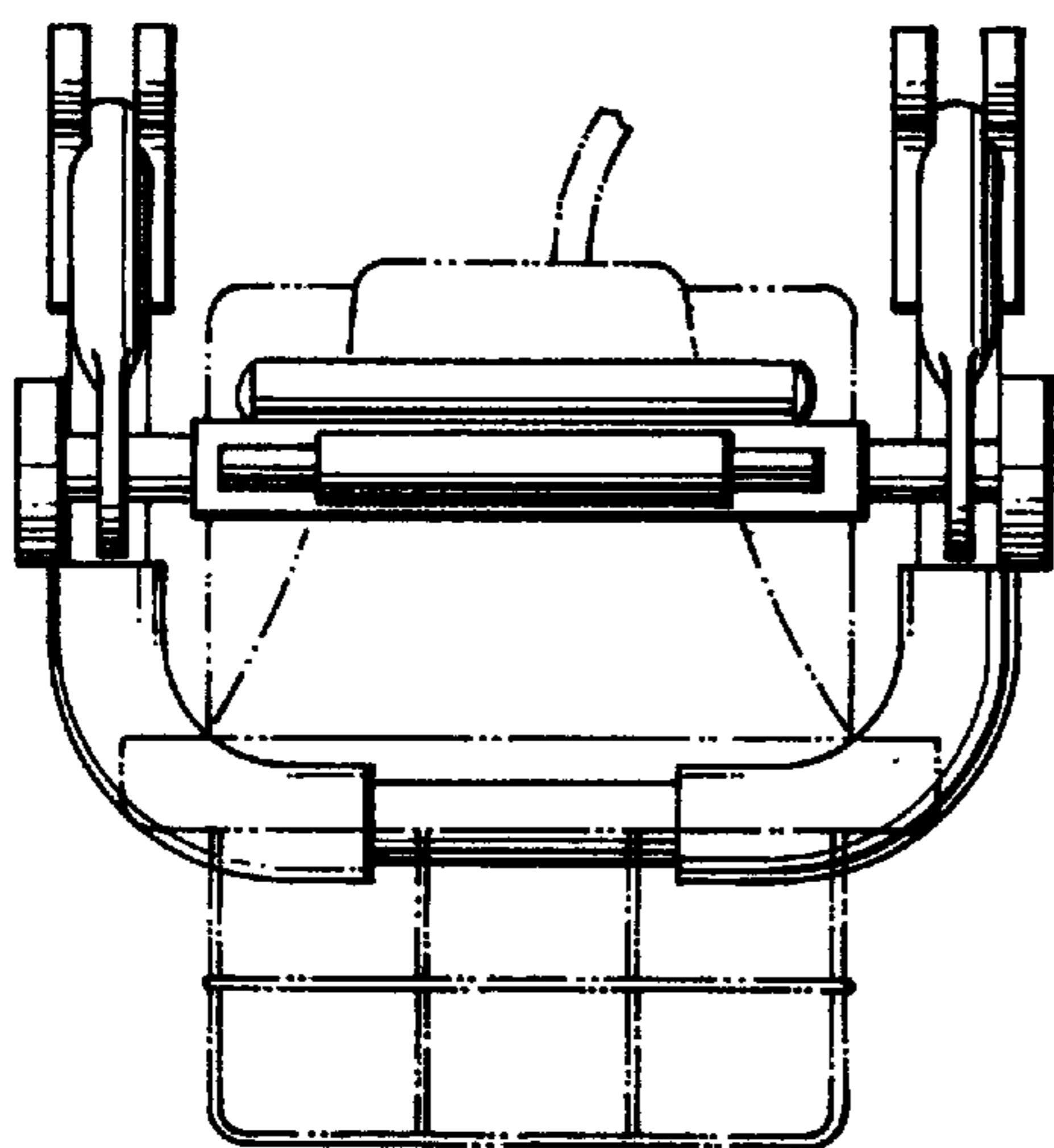


FIG. 6

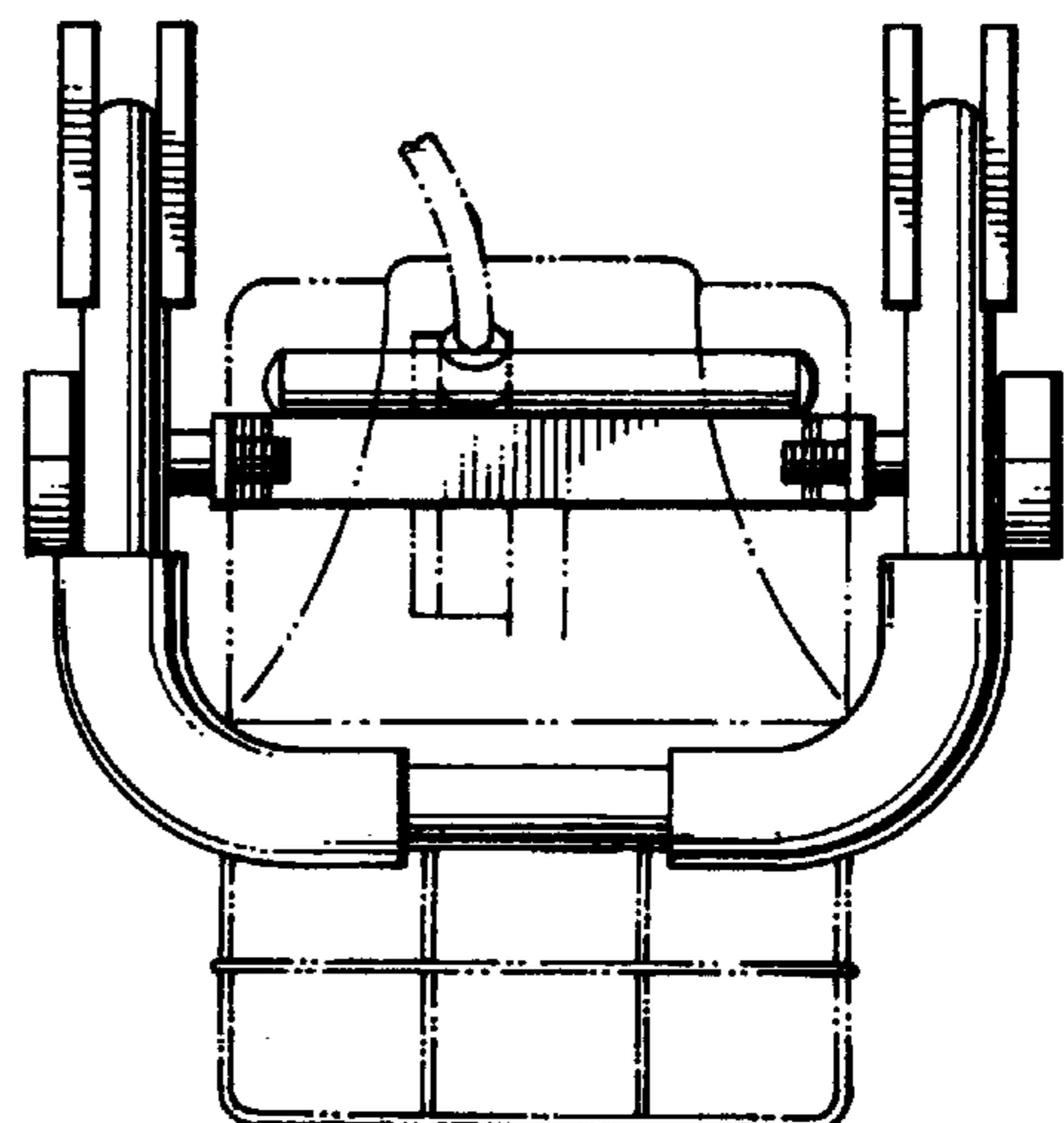


FIG. 7