



US00D441486S

(12) **United States Design Patent**
Hsing

(10) **Patent No.:** **US D441,486 S**

(45) **Date of Patent:** **** May 1, 2001**

(54) **LIGHT FIXTURE**

(75) Inventor: **Cheng Ming Hsing**, Kaoshiung (TW)

(73) Assignee: **Litex Industries, Inc.**, Grand Prairie, TX (US)

(**) Term: **14 Years**

(21) Appl. No.: **29/123,824**

(22) Filed: **May 25, 2000**

(51) **LOC (7) Cl.** **26-03**

(52) **U.S. Cl.** **D26/87**

(58) **Field of Search** D26/72, 19, 141-145;
362/404-408, 147, 432

(56) **References Cited**

U.S. PATENT DOCUMENTS

- D. 326,538 * 5/1992 Dordick D26/87
- D. 340,780 * 10/1993 Porter D26/80
- D. 340,782 * 10/1993 Porter D26/87
- D. 367,725 * 3/1996 Segill et al. D26/87

OTHER PUBLICATIONS

Home Lighting & Accessories, Murray Feiss light fixtures on p. 72, Feb. 1998.*

* cited by examiner

Primary Examiner—Susan J. Lucas
Assistant Examiner—Linda Brooks

(74) *Attorney, Agent, or Firm*—Sidley & Austin

(57) **CLAIM**

The ornamental design for a light fixture, as shown and described.

DESCRIPTION

FIG. 1 is a perspective view of a light fixture embodying my design;

FIG. 2 is a front view thereof;

FIG. 3 is a left side view thereof, the right side view being substantially a mirror image thereof;

FIG. 4 is a bottom view thereof;

FIG. 5 is a top view thereof;

FIG. 6 is a perspective view of an alternative embodiment of the design shown in FIGS. 1-5;

FIG. 7 is a front view of the alternative embodiment of the design shown in FIG. 6;

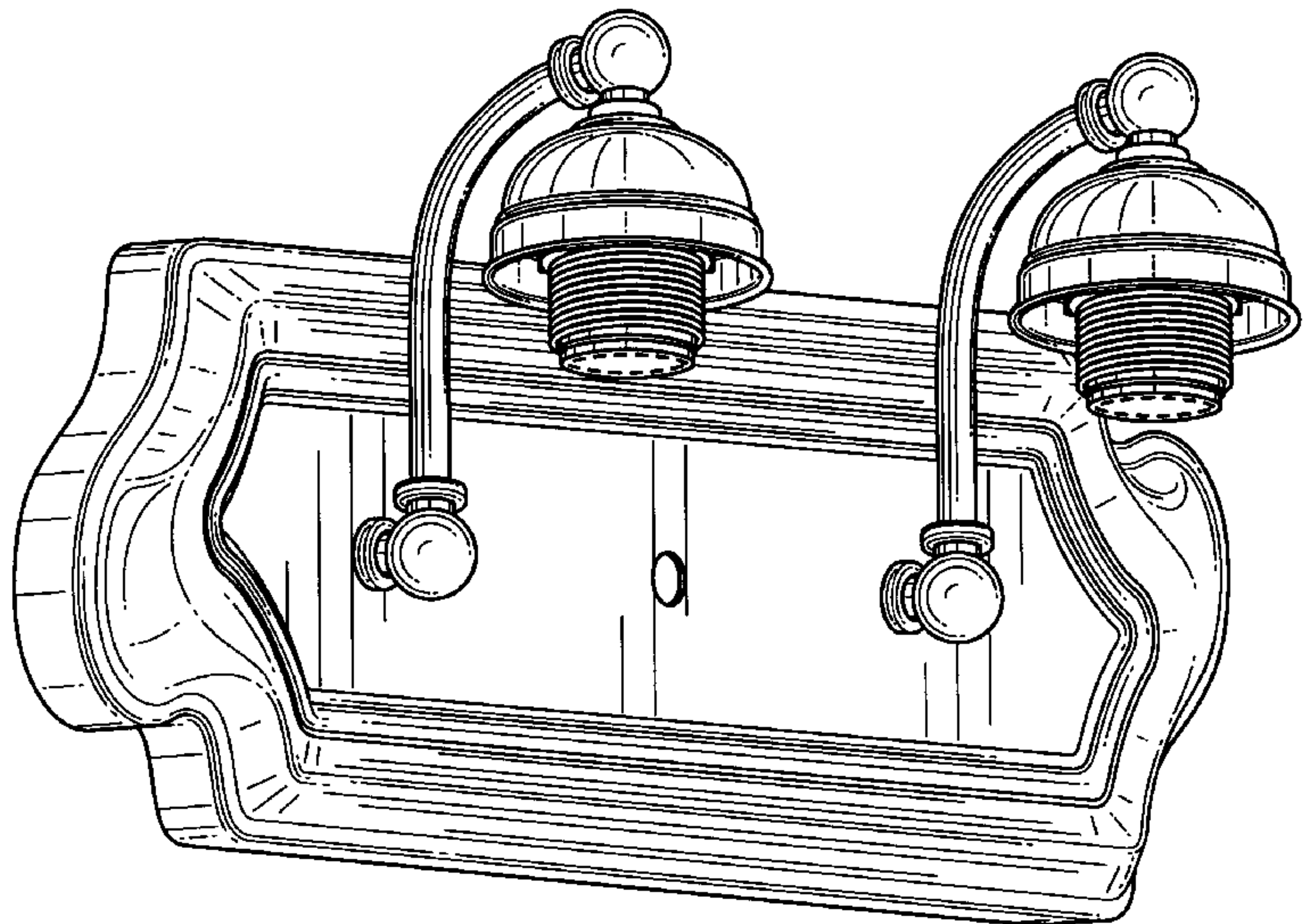
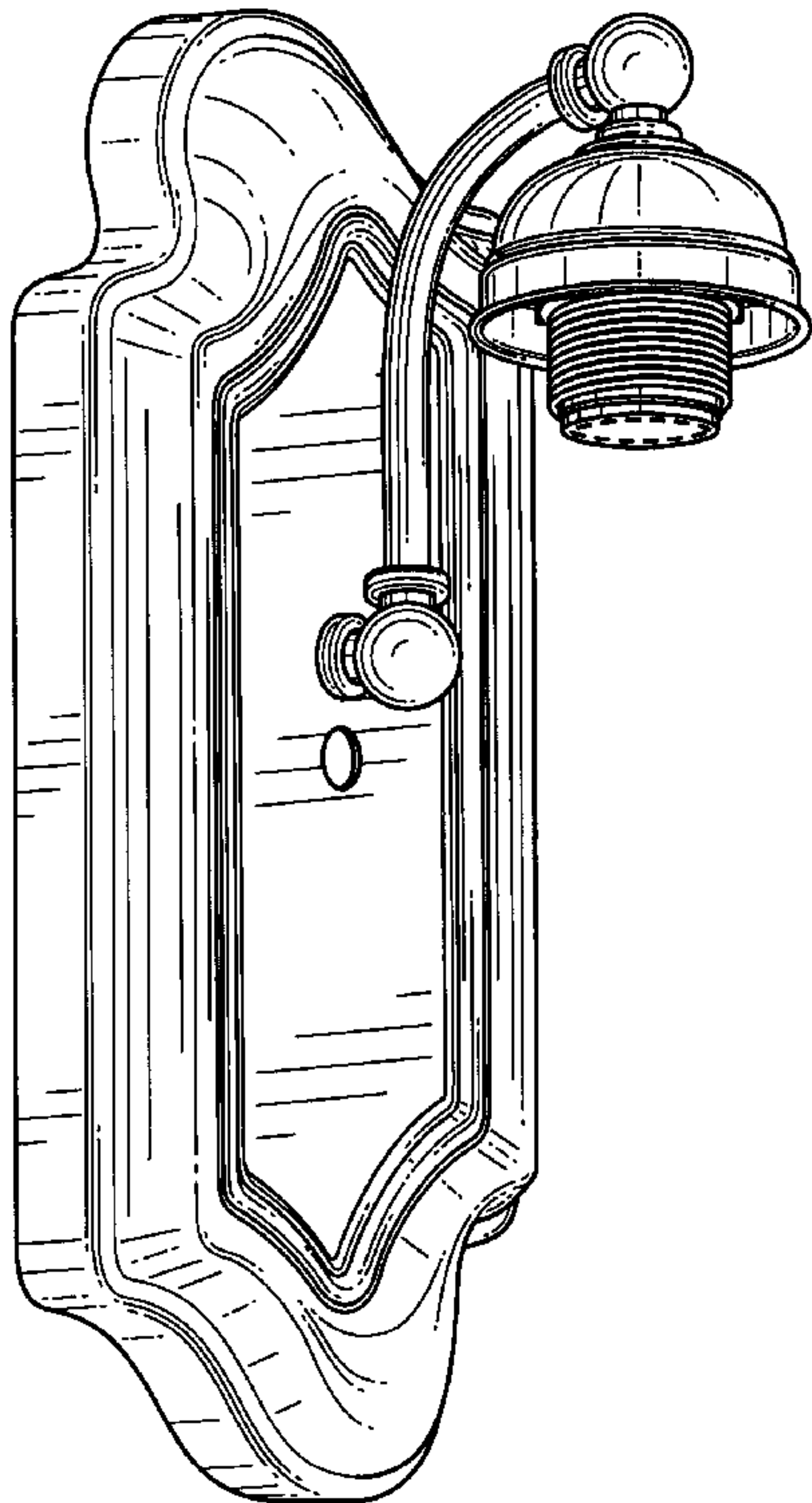
FIG. 8 is a left side view of the alternative embodiment of the design shown in FIG. 6, the right side view being substantially a mirror image thereof;

FIG. 9 is a bottom view of the alternative embodiment of the design shown in FIG. 6; and,

FIG. 10 is a top view of the alternative embodiment of the design shown in FIG. 6.

The broken lines shown in the drawing form no part of the claimed design.

1 Claim, 10 Drawing Sheets



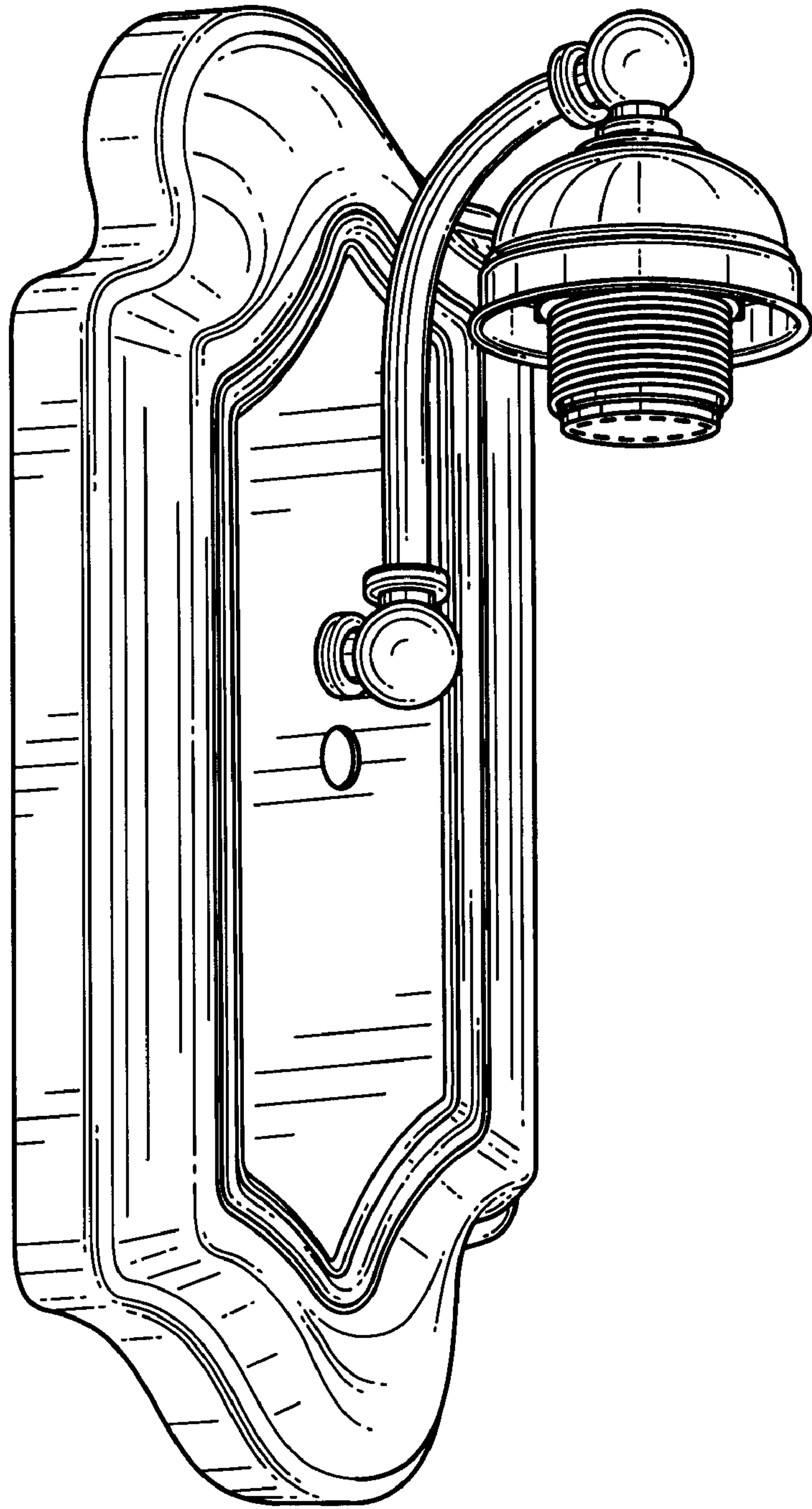


FIG. 1

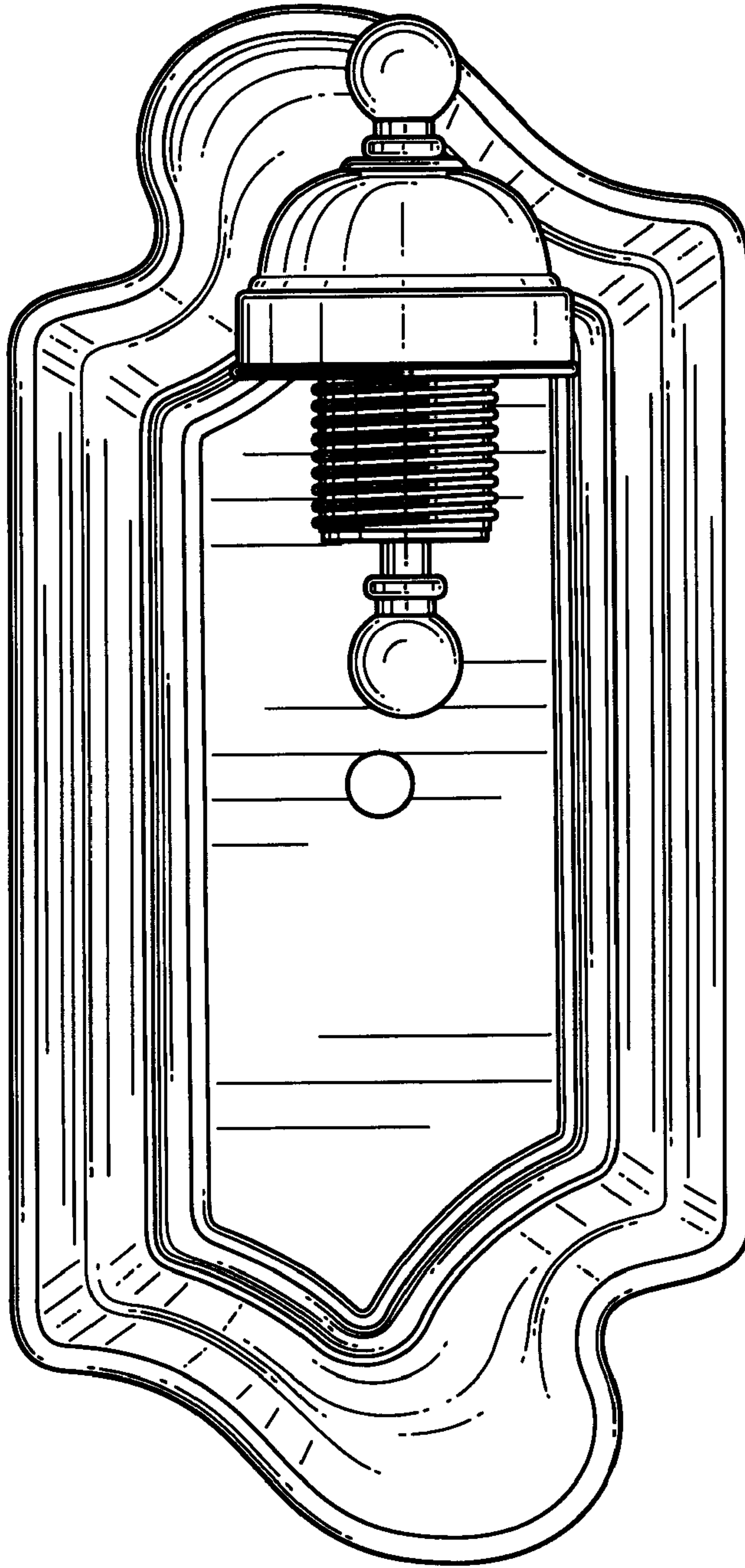


FIG. 2

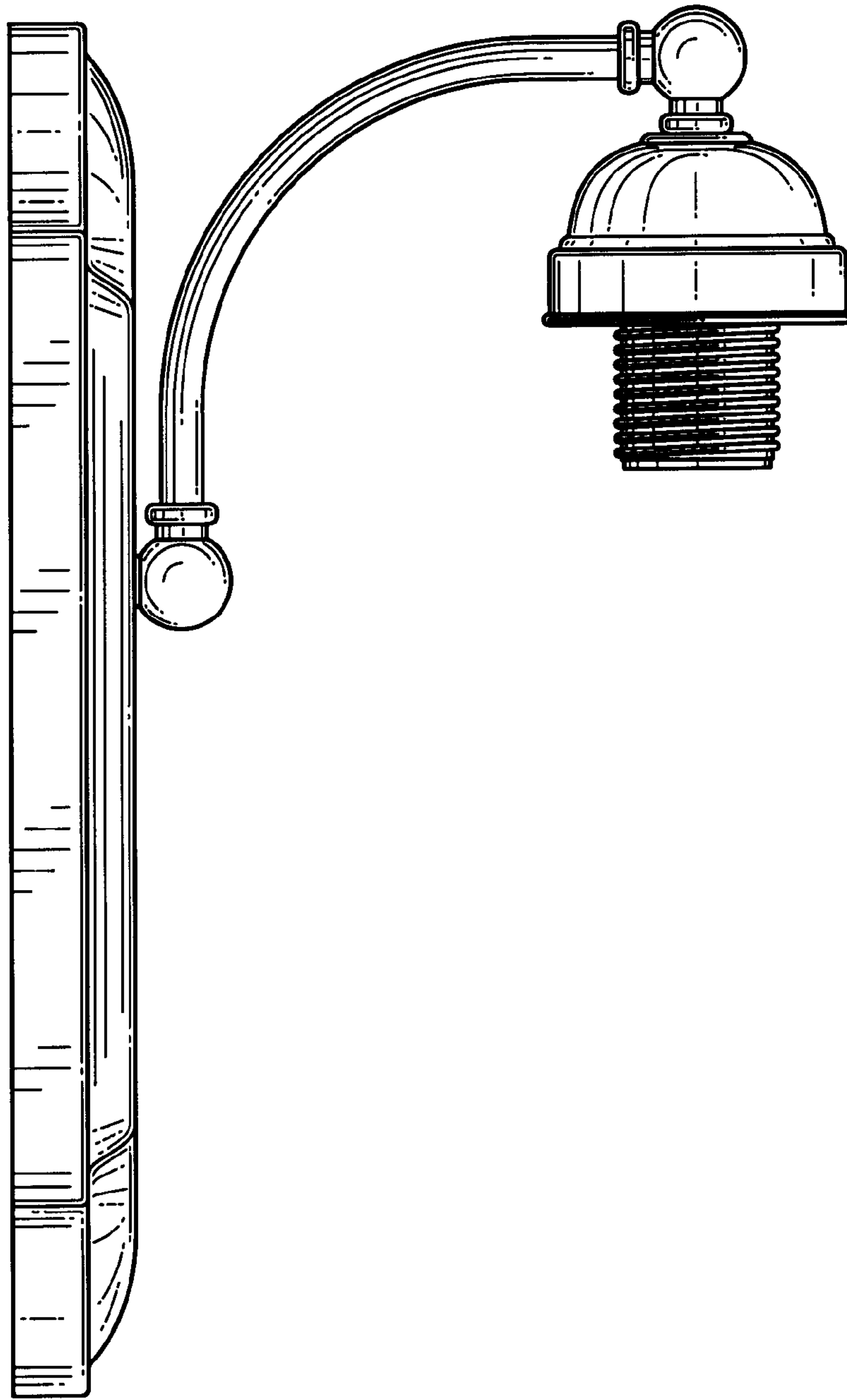


FIG. 3

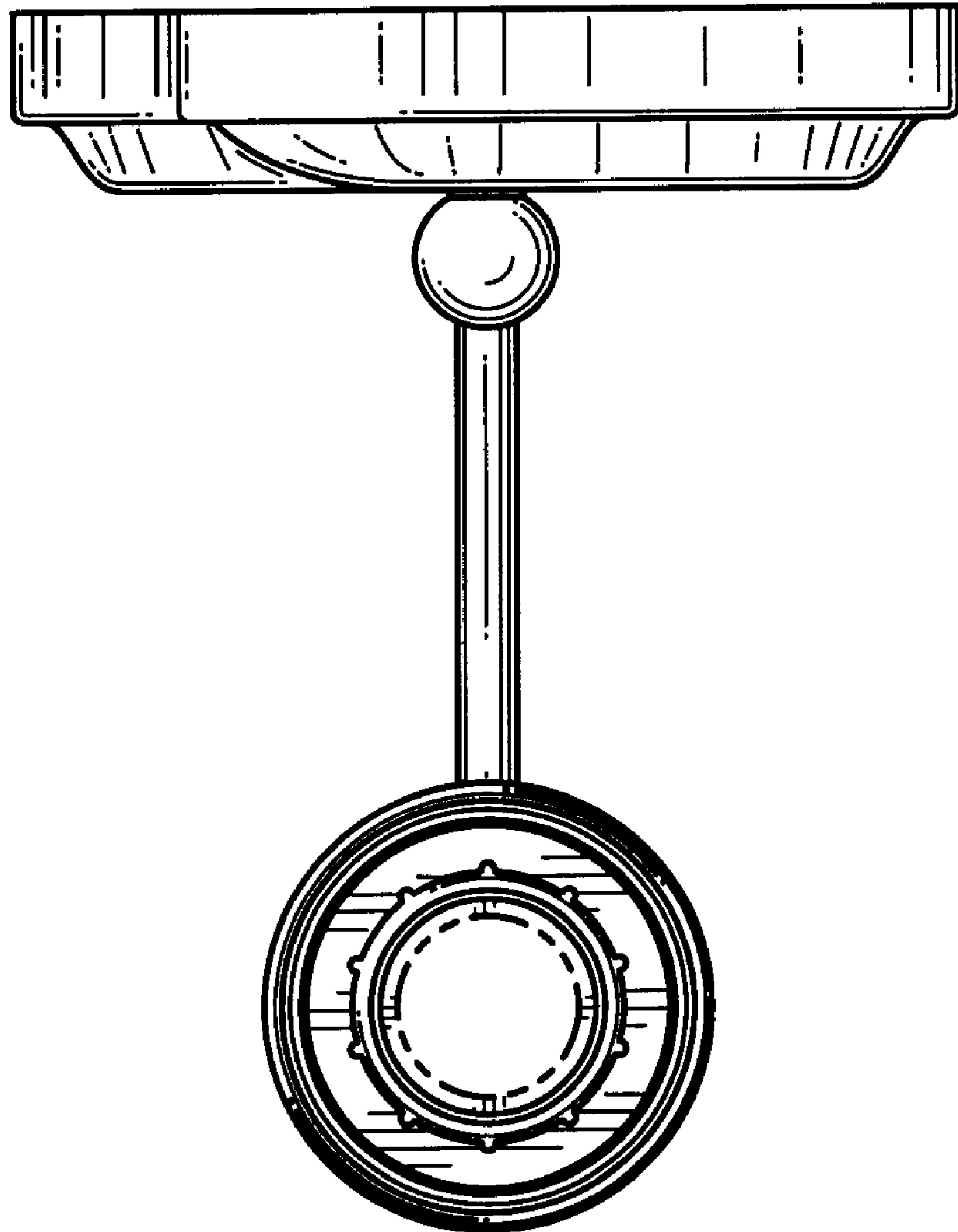


FIG. 4

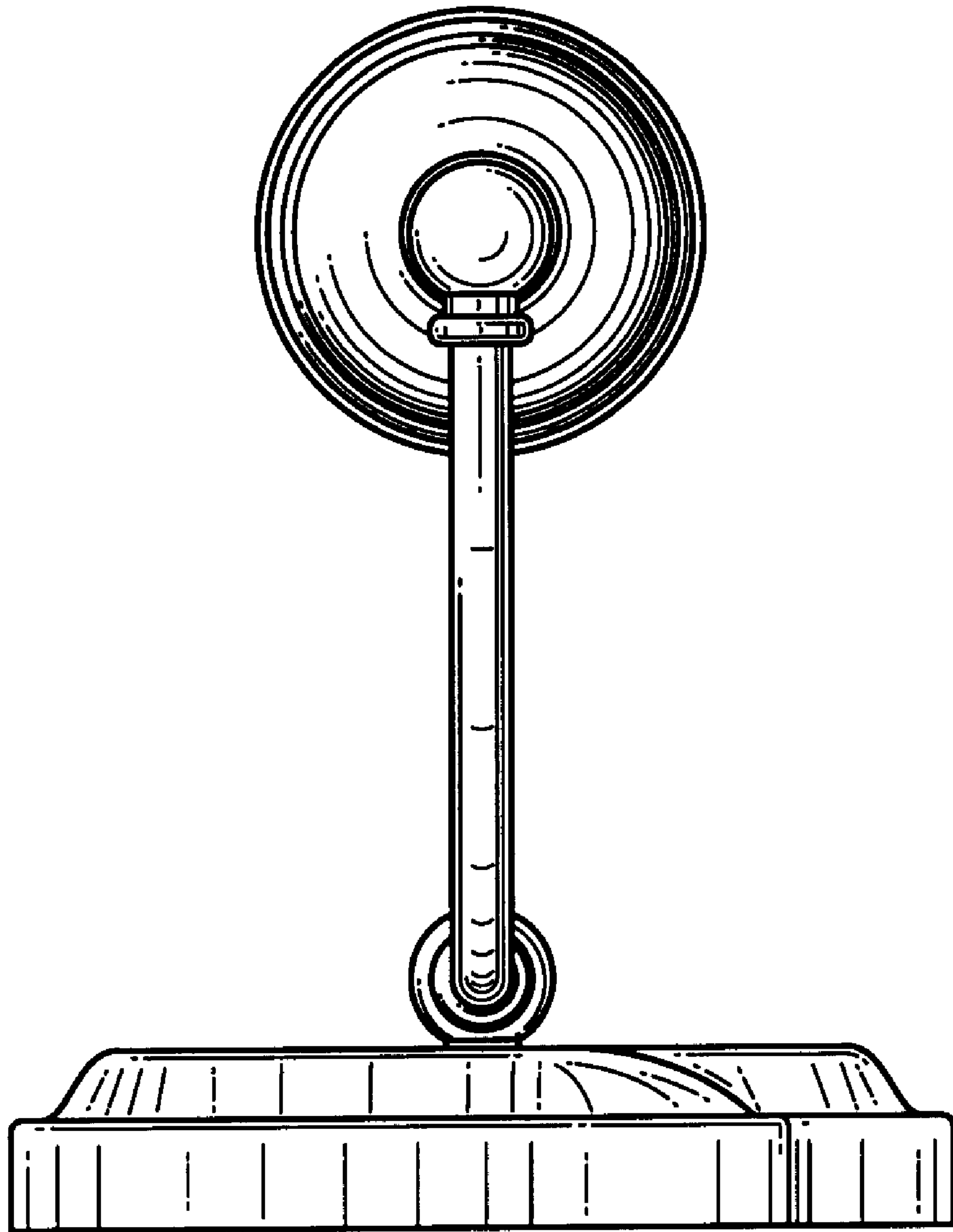


FIG. 5

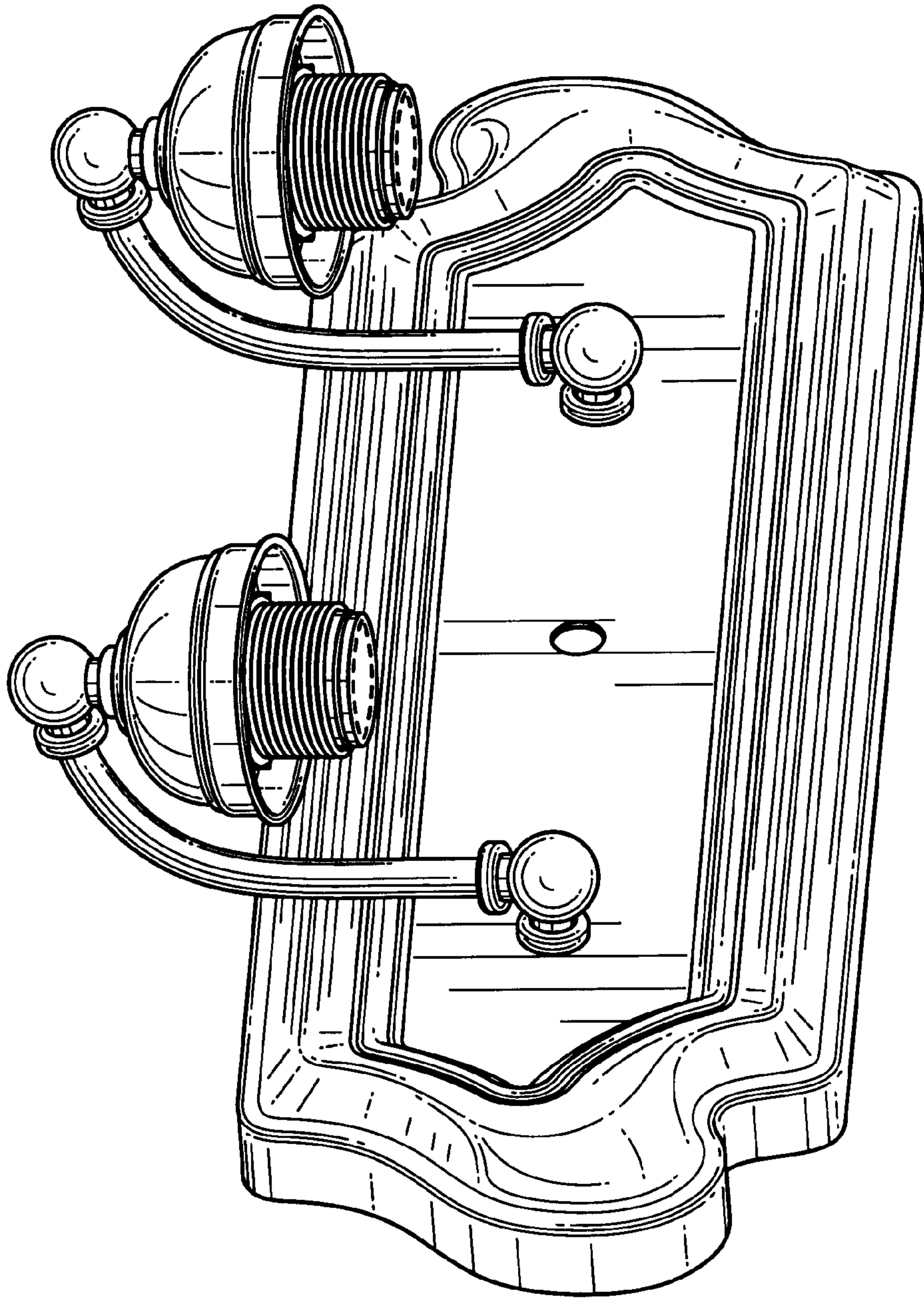


FIG. 6

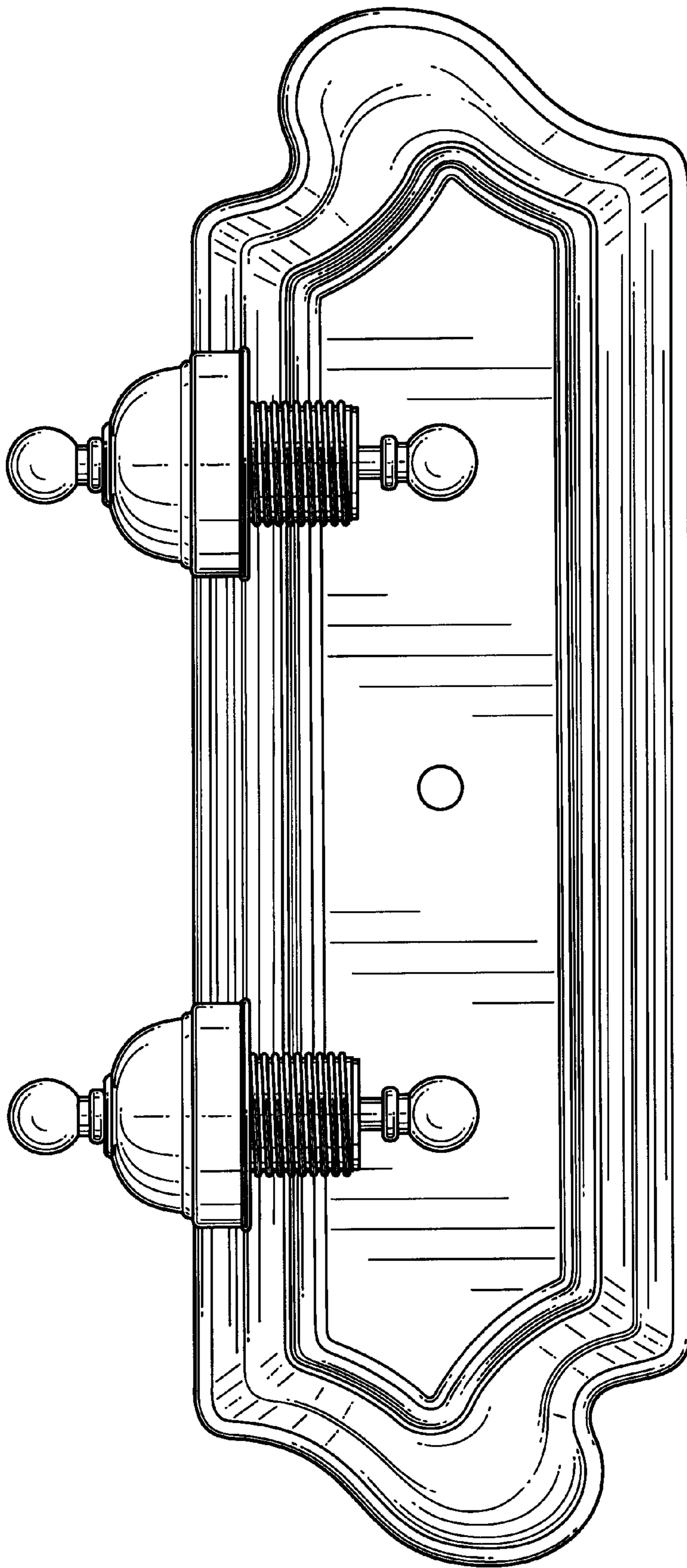


FIG. 7

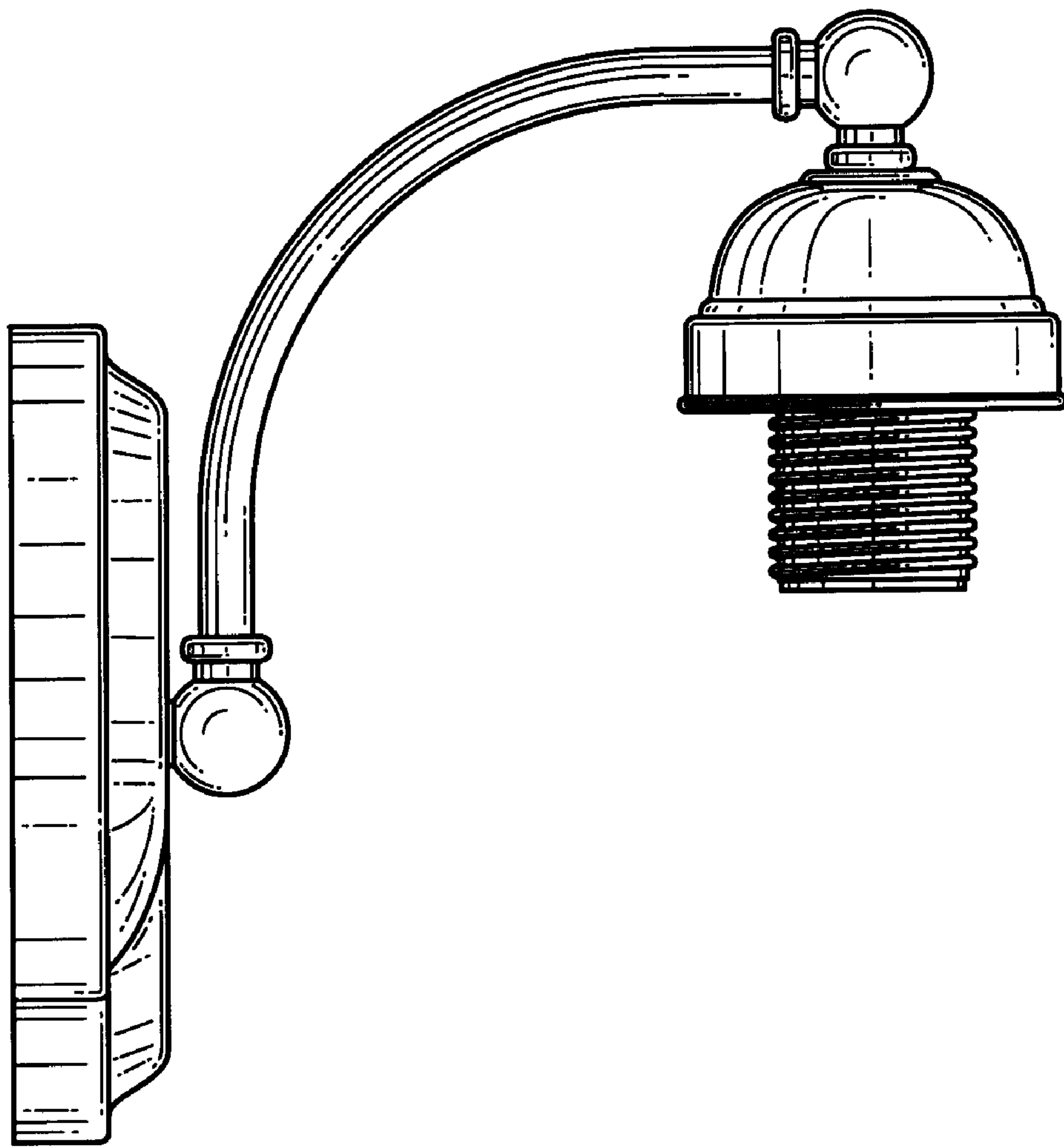


FIG. 8

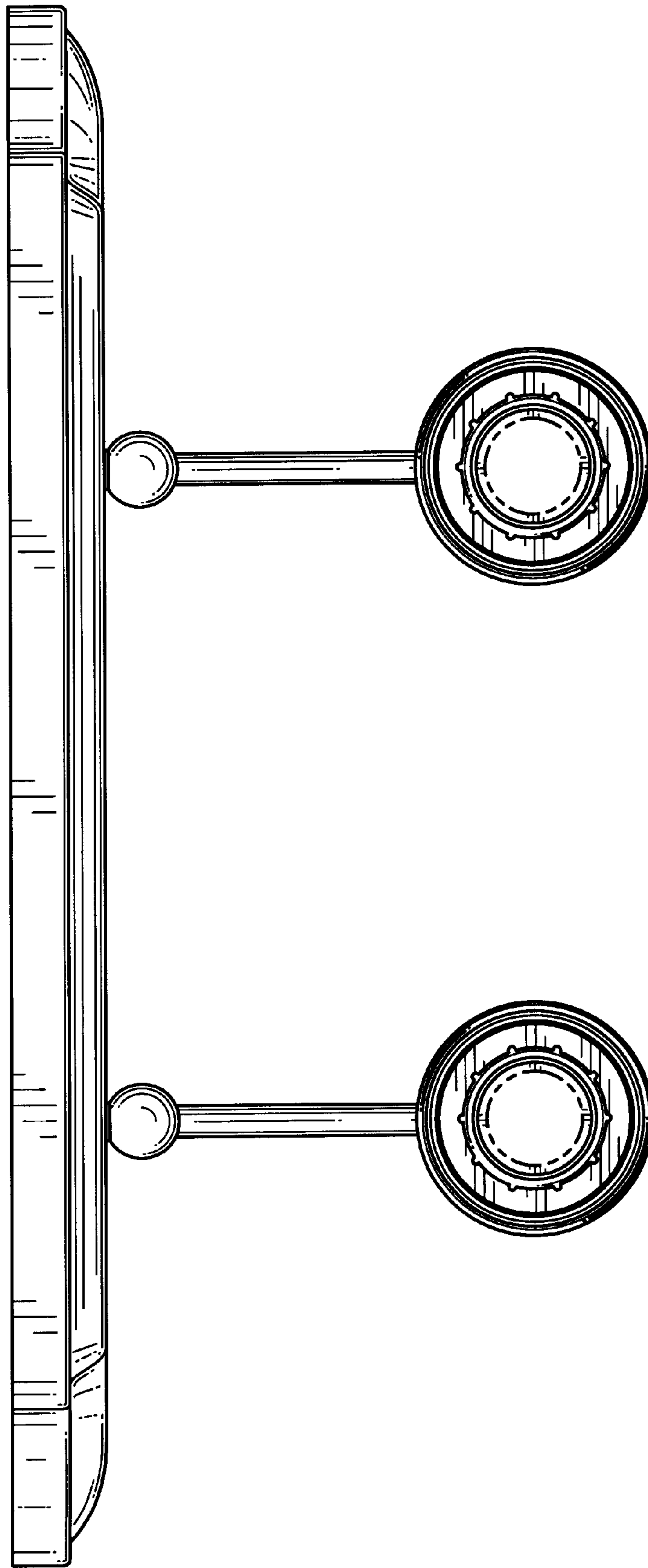


FIG. 9

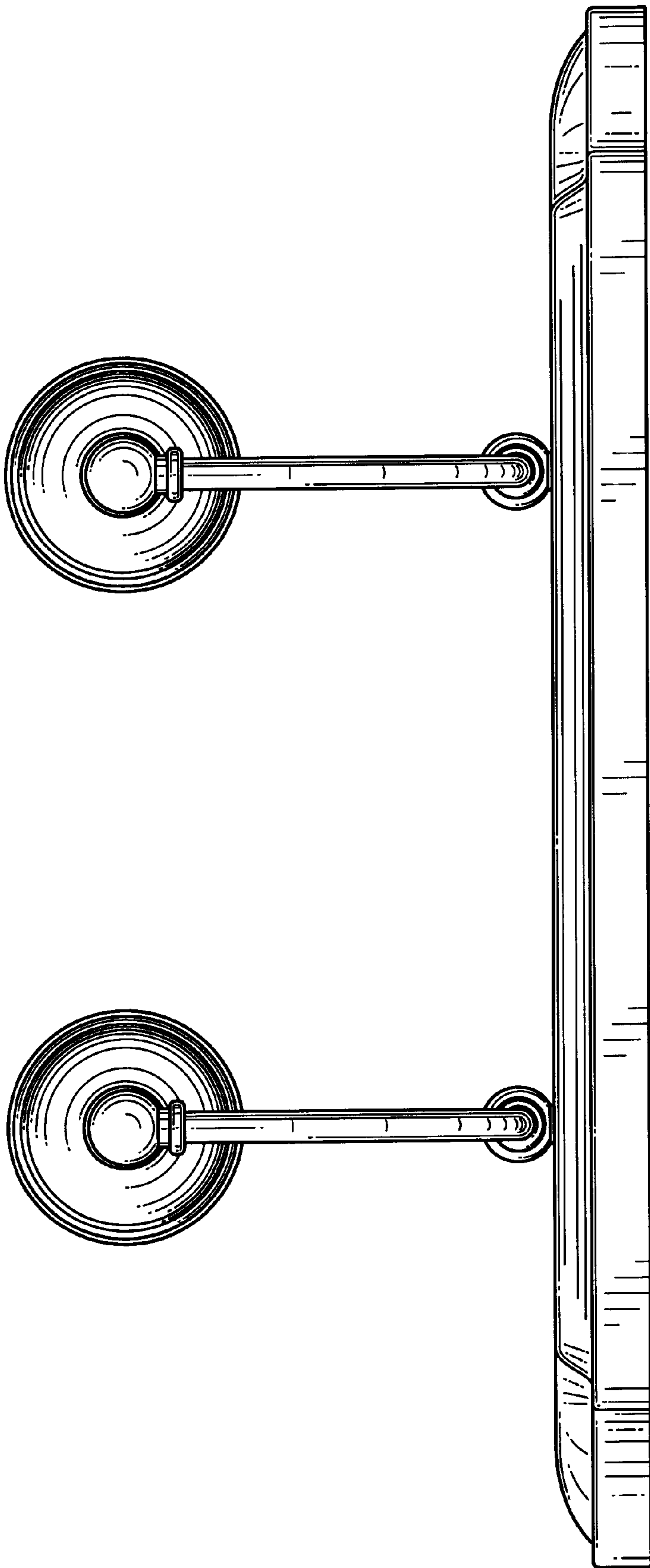


FIG.10