



US00D441484S

(12) **United States Design Patent**
Nicholas

(10) **Patent No.:** **US D441,484 S**

(45) **Date of Patent:** **** May 1, 2001**

(54) **LIGHTING FIXTURE**

(75) Inventor: **Kenneth J. Nicholas**, Parma, OH (US)

(73) Assignee: **The L. D. Kichler Co.**, Cleveland, OH (US)

(**) Term: **14 Years**

(21) Appl. No.: **29/100,925**

(22) Filed: **Feb. 22, 1999**

(51) **LOC (7) Cl.** **26-05**

(52) **U.S. Cl.** **D26/86**

(58) **Field of Search** D26/74, 72, 80-92,
D26/67-70; 362/431, 147, 363, 364, 341,
346, 404-408

(56) **References Cited**

U.S. PATENT DOCUMENTS

D. 428,181 * 7/2000 Nicholas D26/86
1,917,612 * 7/1933 Symmes 362/404

OTHER PUBLICATIONS

Murray Feiss lighting catalog, 1-19988, p. F77, chandelier.*

* cited by examiner

Primary Examiner—Susan J. Lucas

(74) *Attorney, Agent, or Firm*—Watts, Hoffmann, Fisher & Heinke, Co., L.P.A.

(57) **CLAIM**

I claim the ornamental design for a lighting fixture, as shown and described.

DESCRIPTION

FIG. 1 is a perspective view of the lighting fixture showing my new design;

FIG. 2 is a front elevational view of the lighting fixture, the rear elevational view being identical;

FIG. 3 is a right side elevational view of the lighting fixture, the left side elevational view being identical,

FIG. 4 is a top plan view of the lighting fixture;

FIG. 5 is a bottom plan view of the lighting fixture;

FIG. 6 is a perspective view of the second embodiment of the lighting fixture showing my new design;

FIG. 7 is a front elevational view of the second embodiment of the lighting fixture, the rear elevational view being identical;

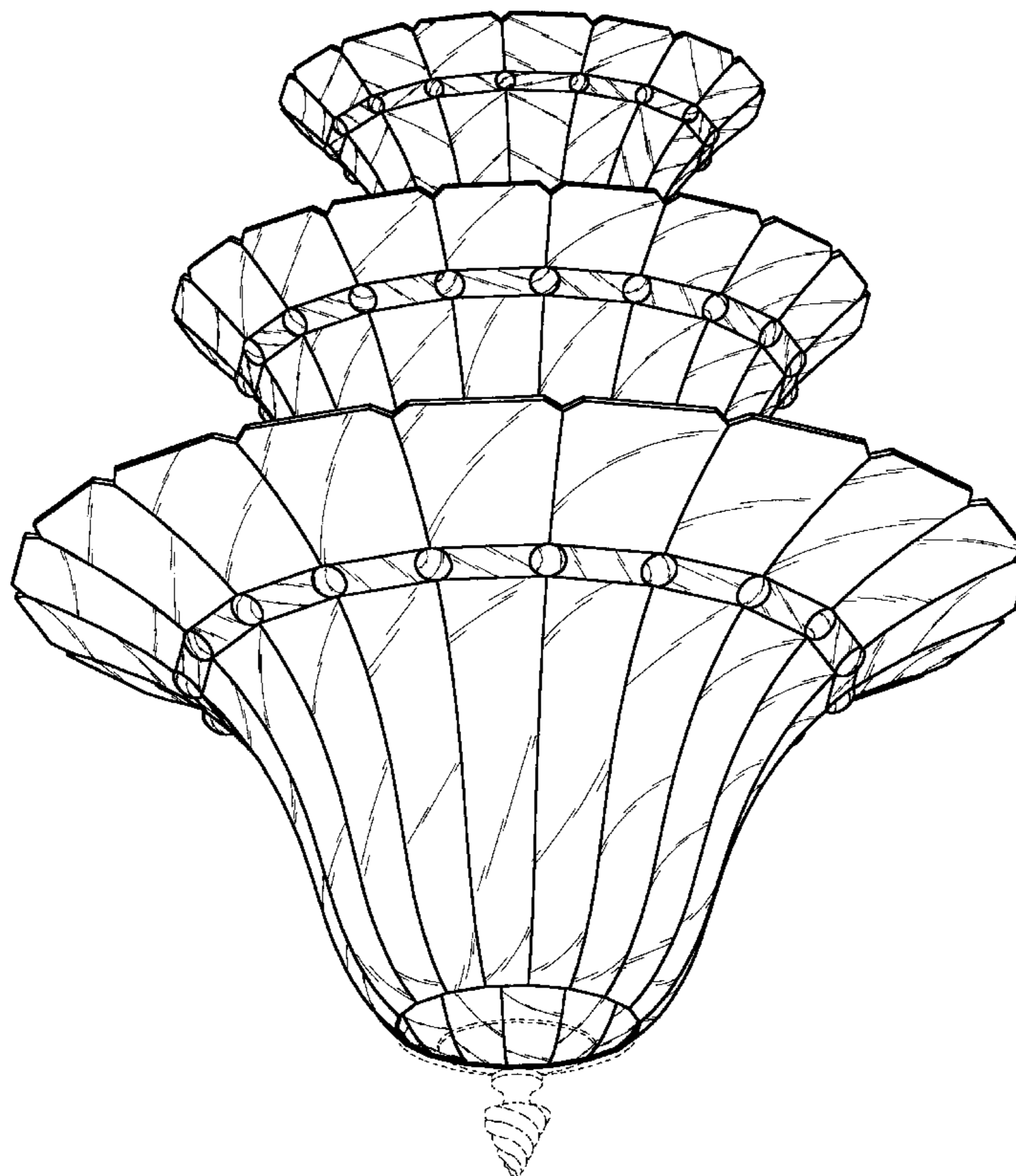
FIG. 8 is a right side elevational view of the second embodiment of the lighting fixture, the left side elevational view being identical;

FIG. 9 is a top plan view of the second embodiment of the lighting fixture; and,

FIG. 10 is a bottom plan view of the second embodiment of the lighting fixture.

The broken lines shown are for illustrative purposes only and form no part of the claimed design.

1 Claim, 7 Drawing Sheets



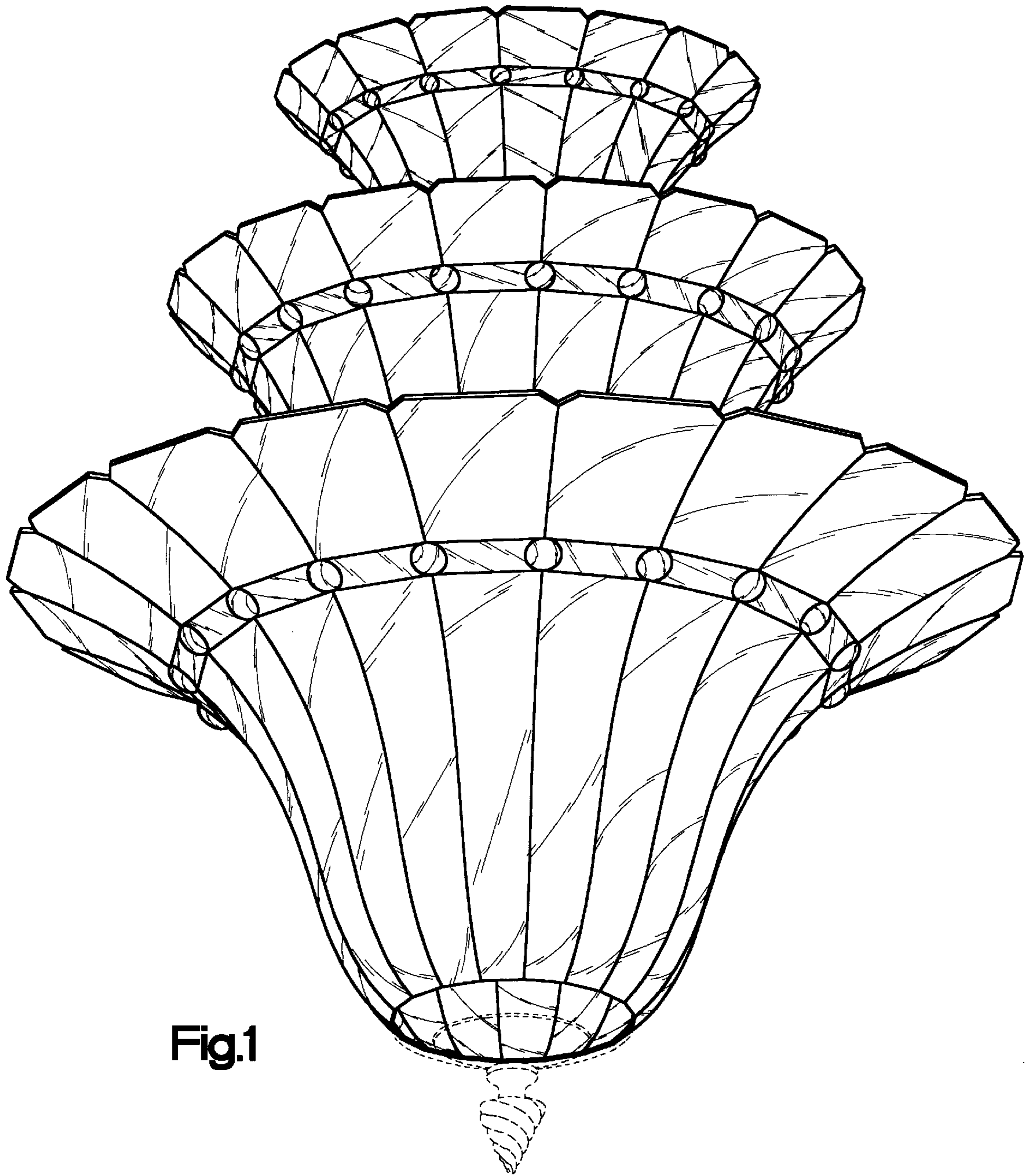


Fig.1

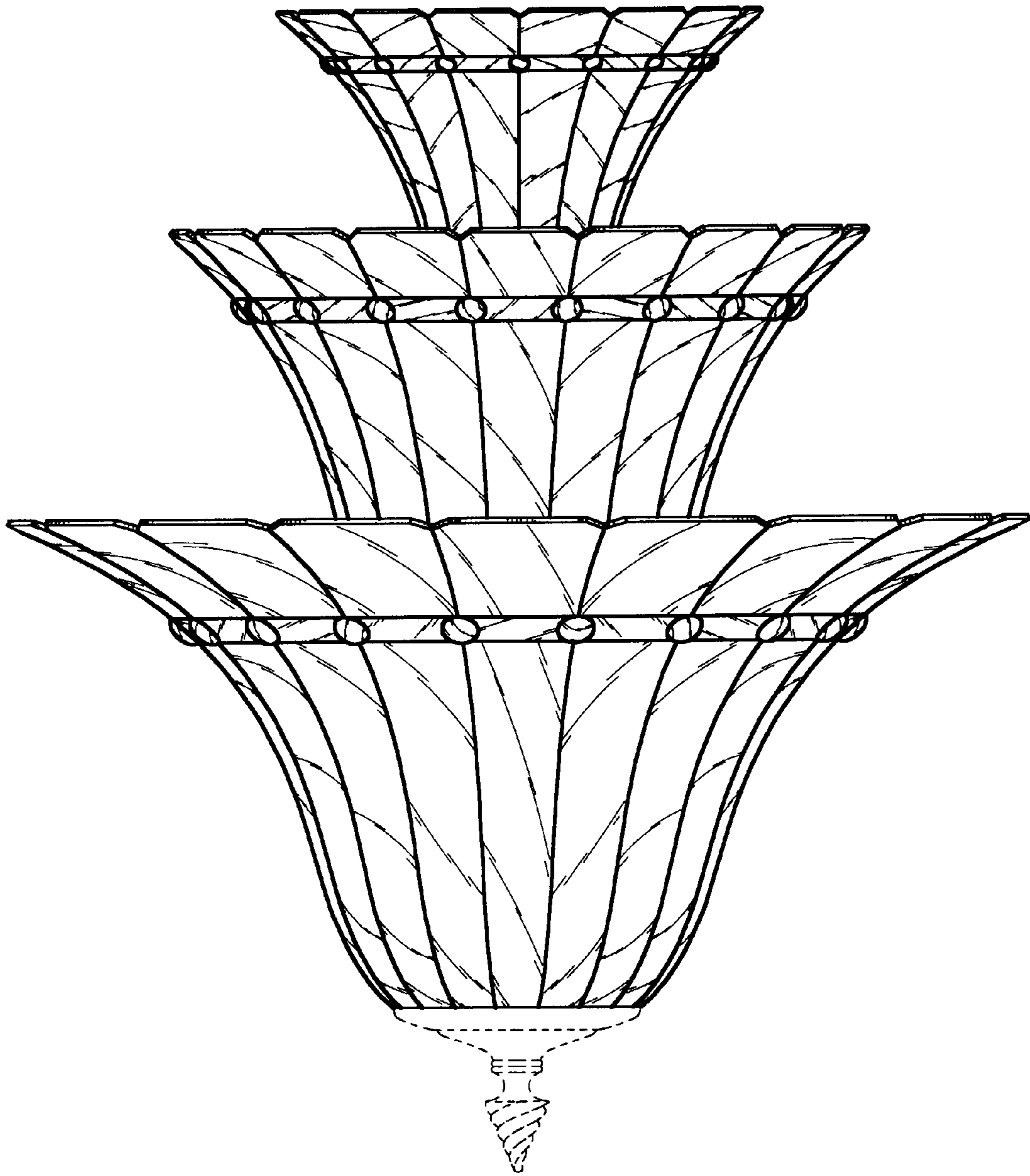


Fig.2

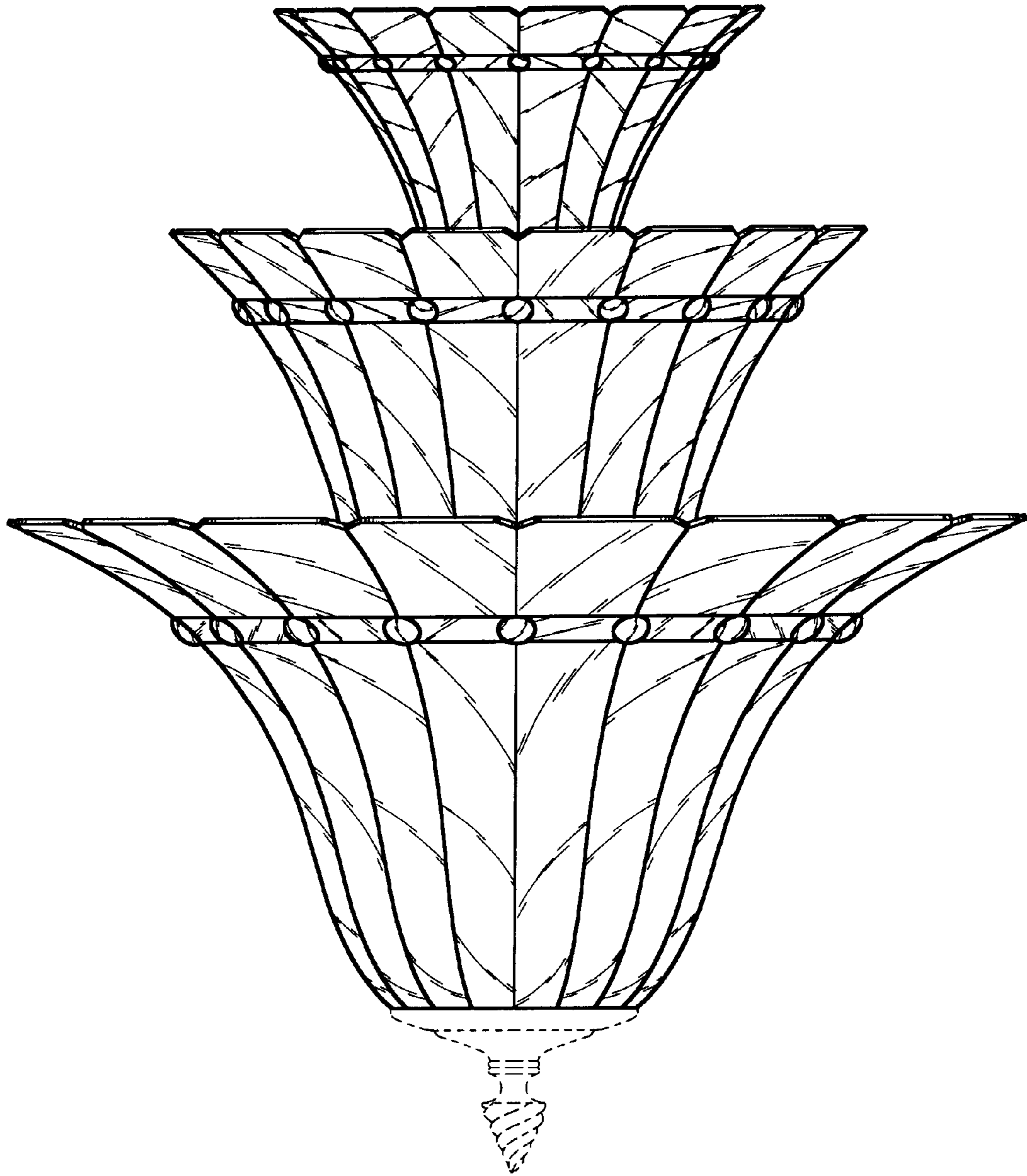


Fig.3

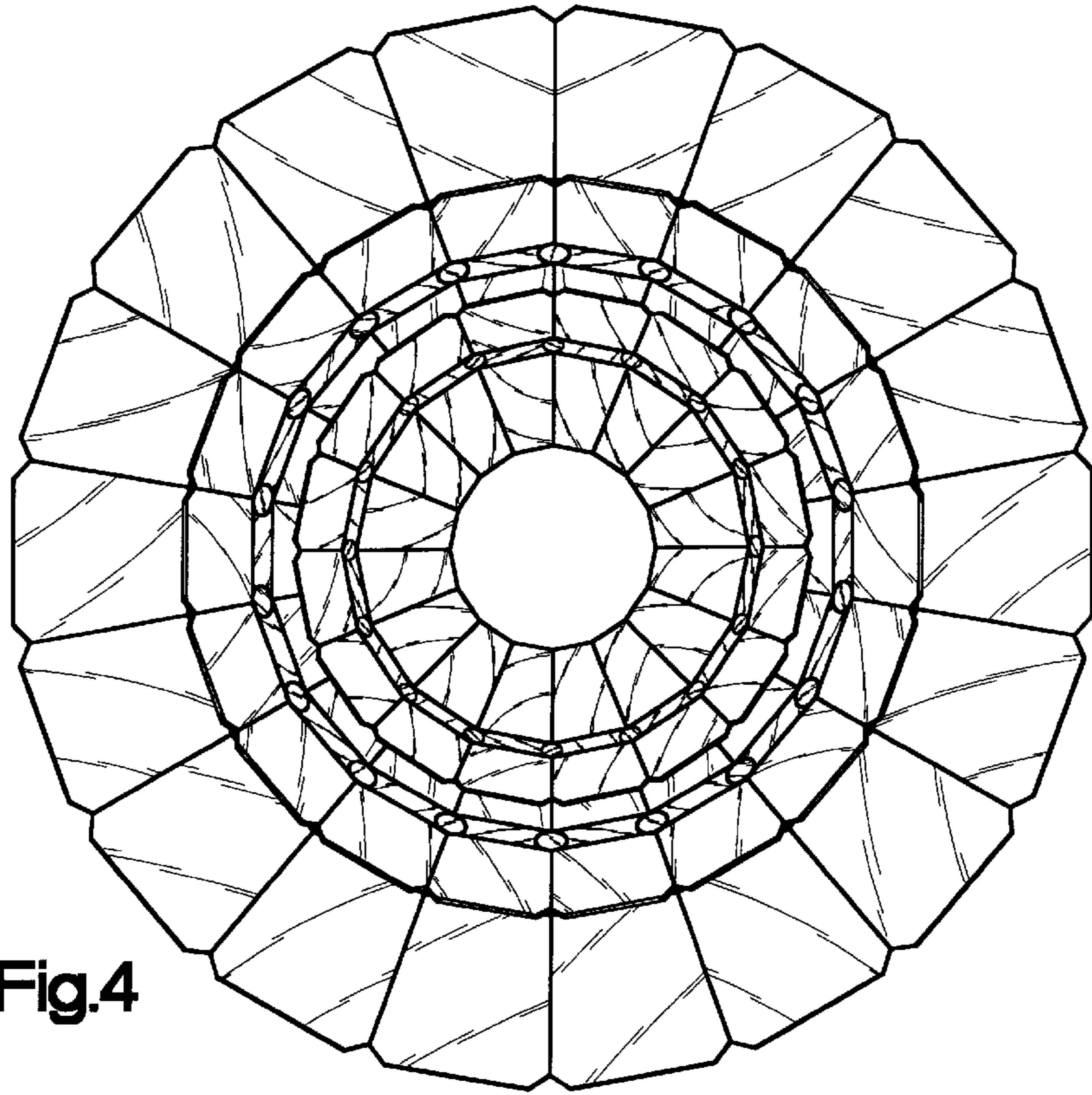


Fig.4

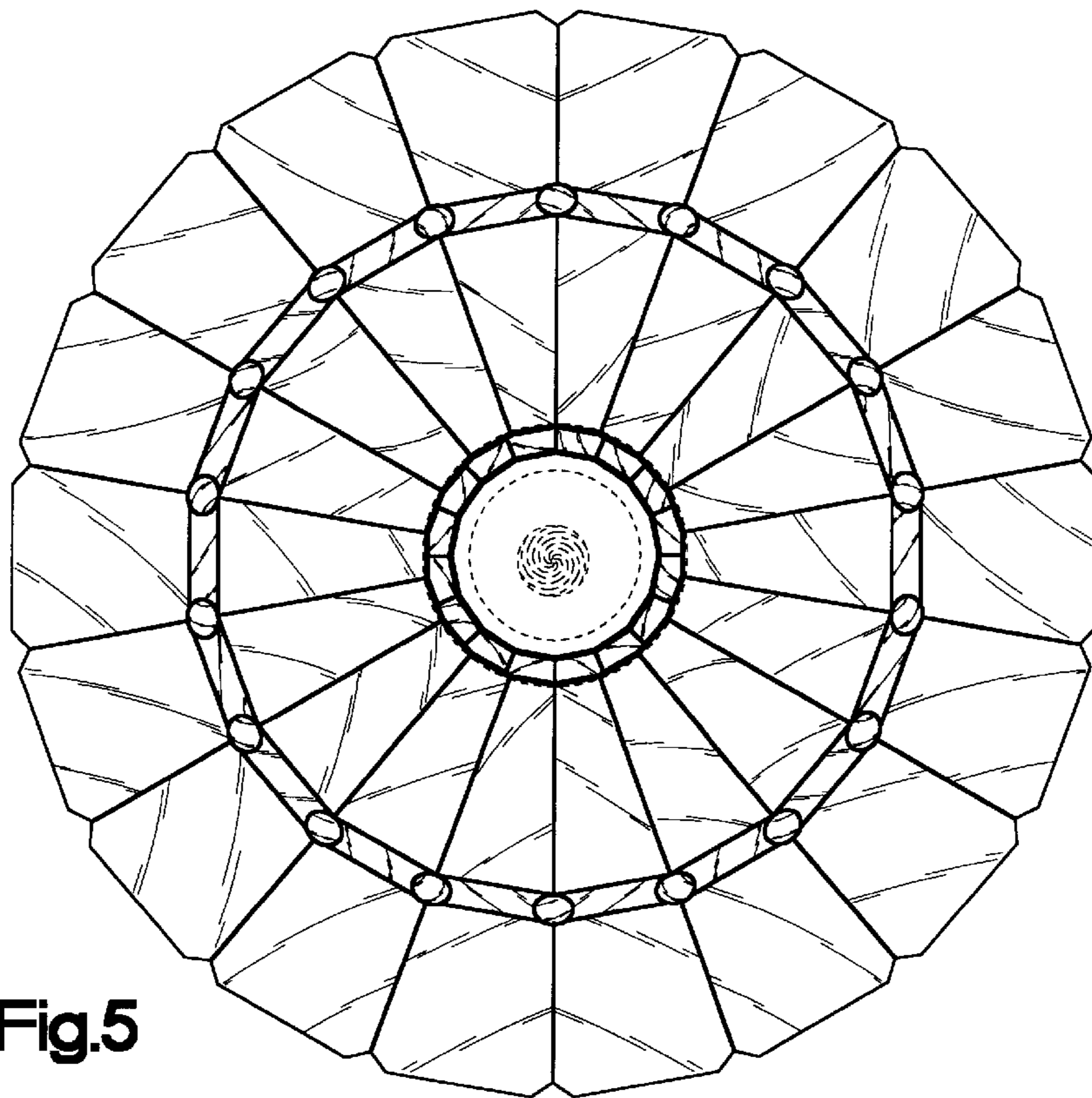


Fig.5

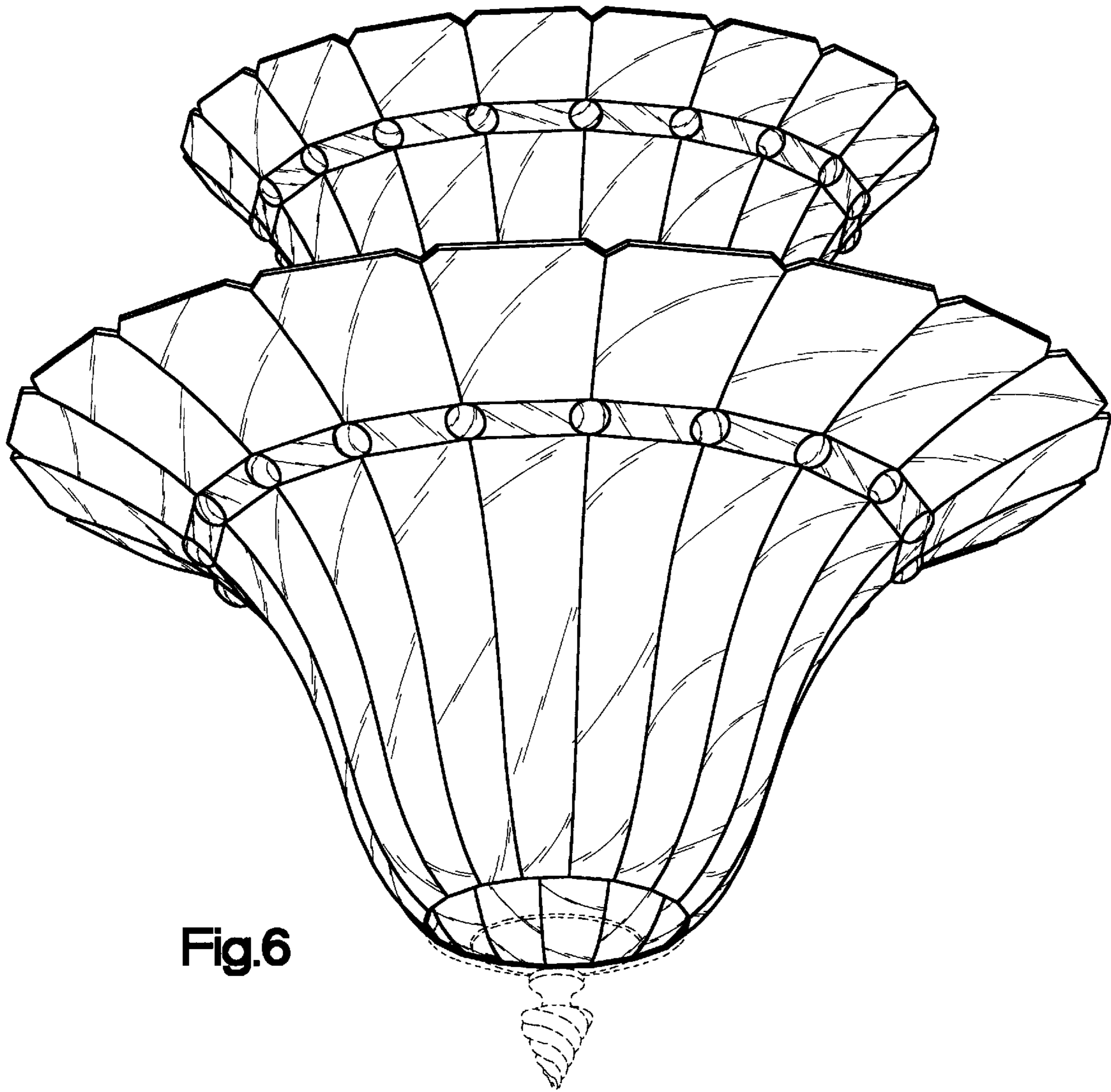
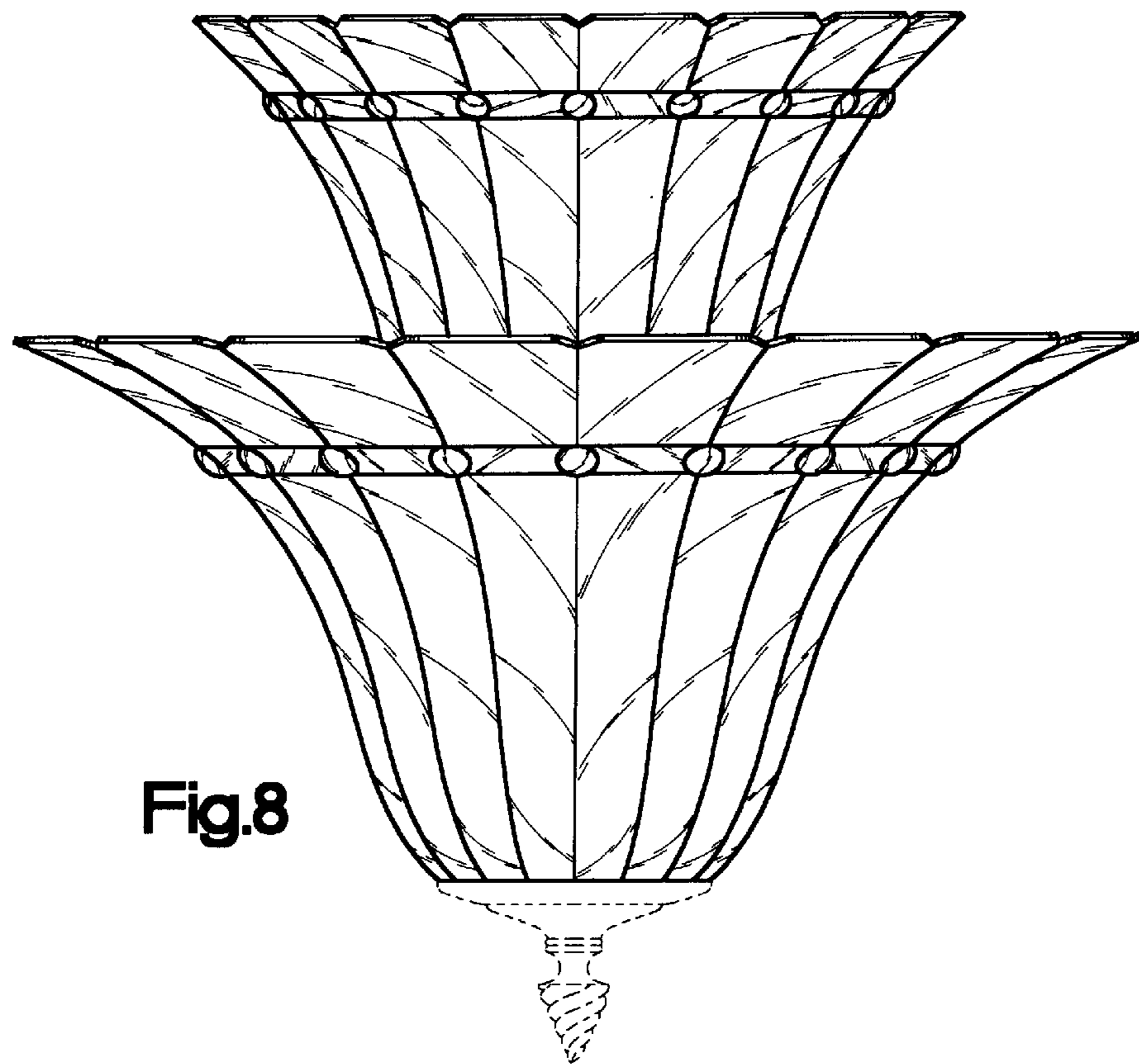
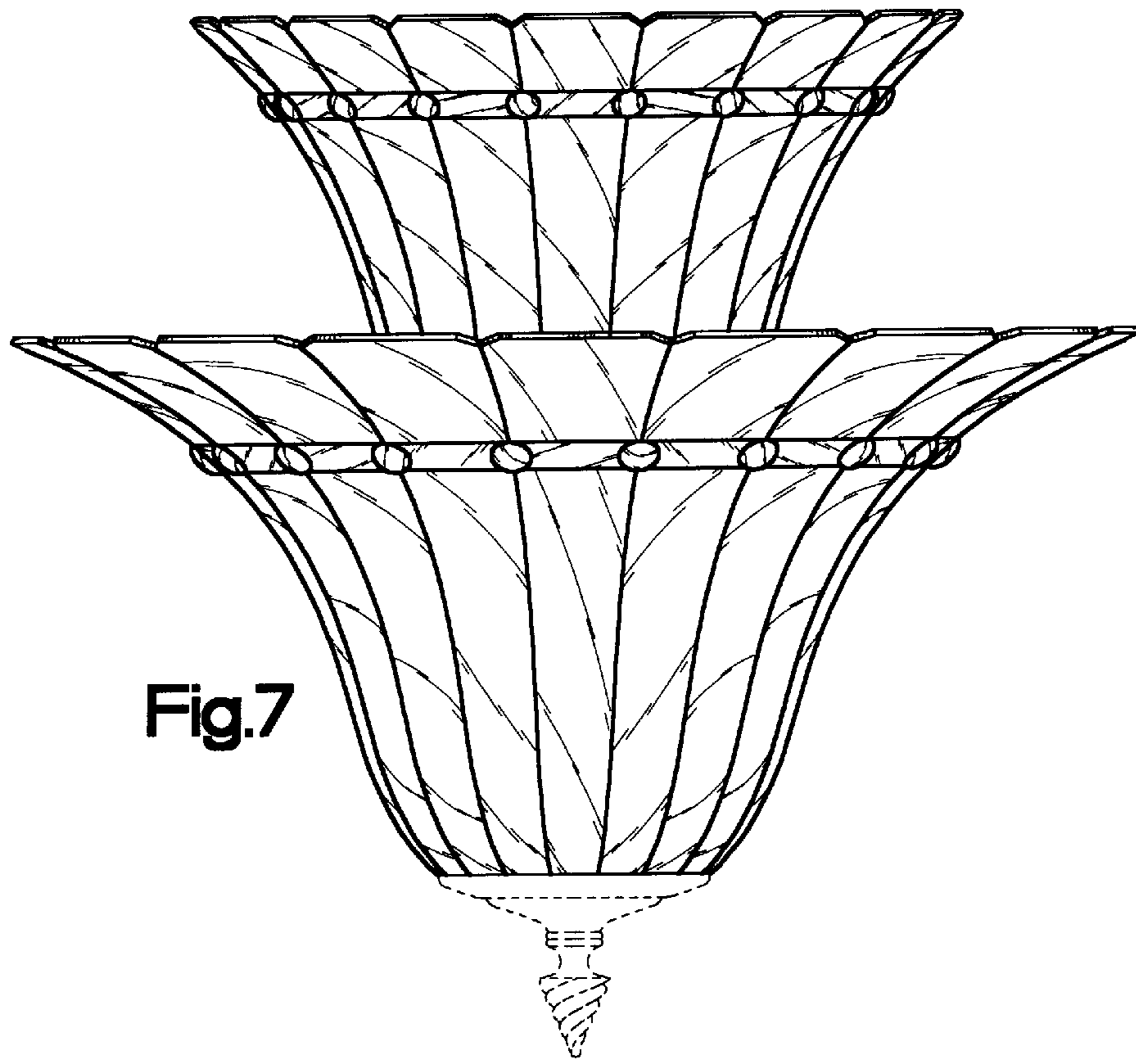


Fig.6



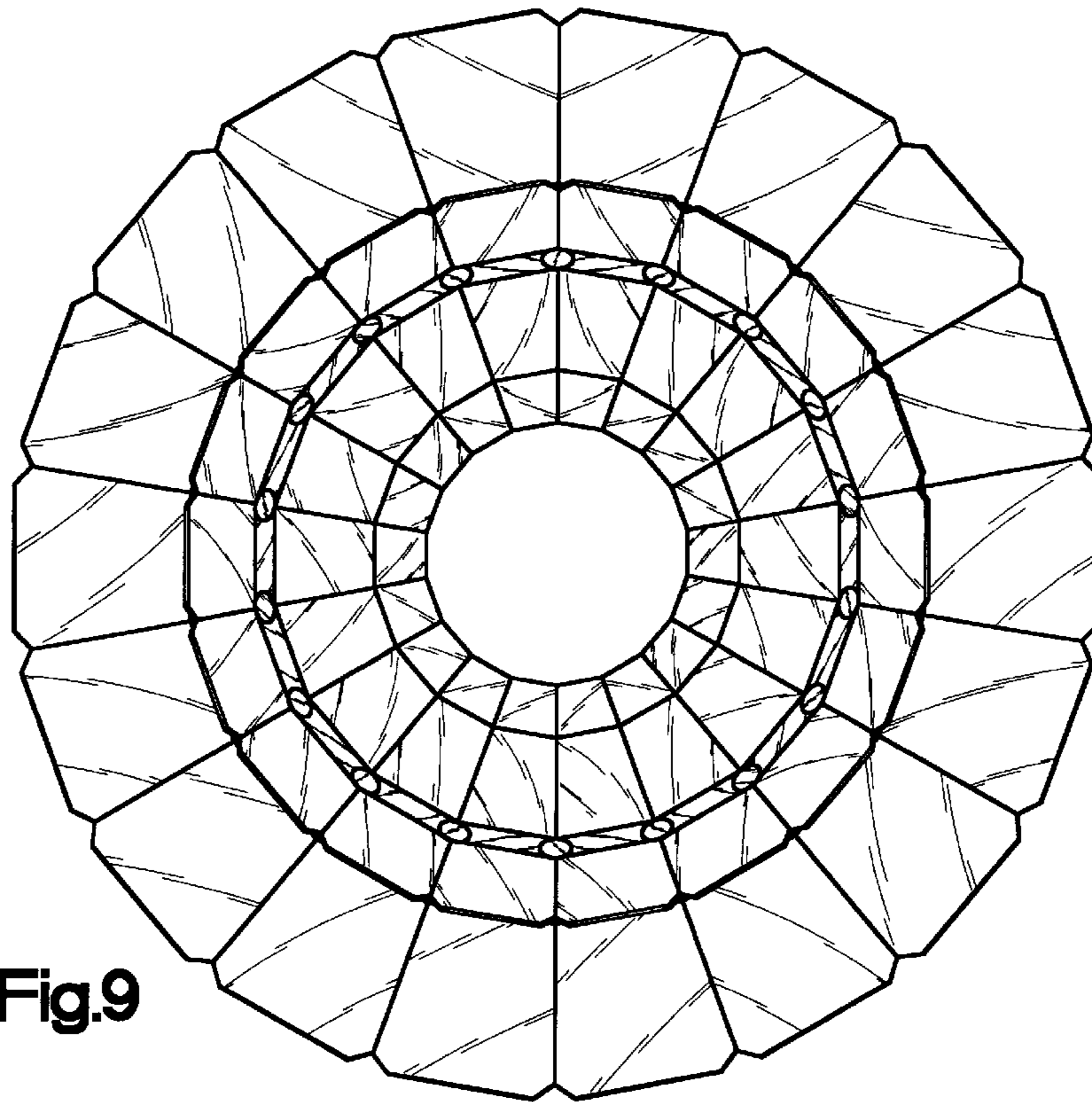


Fig.9

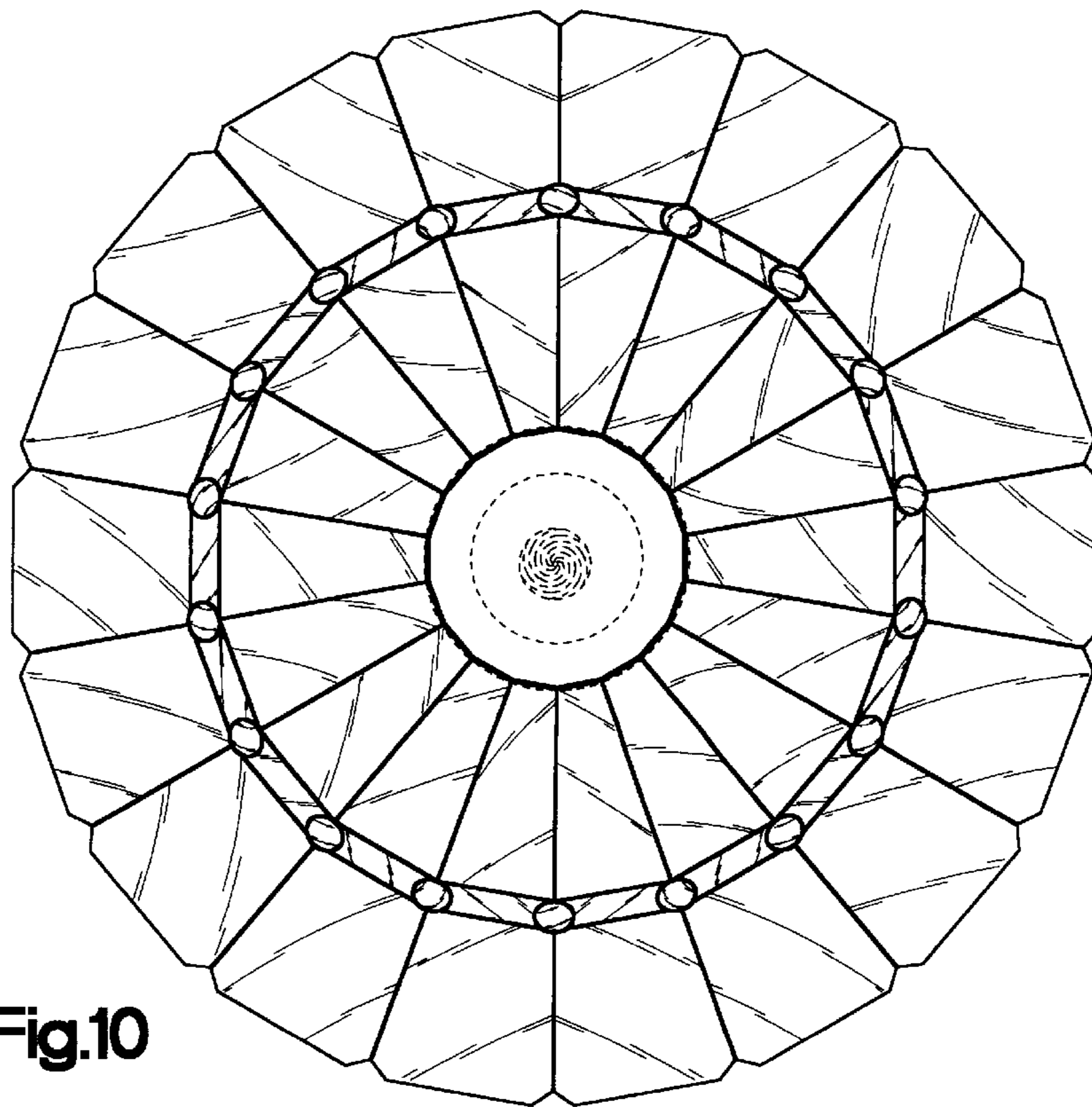


Fig.10