



US00D441475S

(12) **United States Design Patent**  
**Wegrzyn et al.**

(10) **Patent No.: US D441,475 S**

(45) **Date of Patent: \*\* \*May 1, 2001**

(54) **HOUSING OF EMERGENCY LIGHTING  
FIXTURE**

5,797,673 8/1998 Logan et al. .

**OTHER PUBLICATIONS**

(75) Inventors: **Joseph Wegrzyn**, Stratford; **Joseph M. LaRosa**, Portland, both of CT (US)

Atlite Contours (PC 1-10)—Atlite Lighting pp. 2-7, Prior to Filing Date.

(73) Assignee: **Dual-Lite Inc.**, Cheshire, CT (US)

Cavalier—Lightalarms Elec. pp. D1A-D1B Jan. 1990.

(\* ) Notice: This patent is subject to a terminal disclaimer.

CCX Contractor's Choice Exits and Emergency Lighting—Sure-Lites, Prior to Filing Date.

(\*\*) Term: **14 Years**

Pathfinder Series Exit Sign—Hubbell Lighting Nov. 1992.

(List continued on next page.)

(21) Appl. No.: **29/090,121**

*Primary Examiner*—Susan J. Lucas

(22) Filed: **Jun. 30, 1998**

(74) *Attorney, Agent, or Firm*—Ware, Fressola, Van der Sluys & Adolphson LLP

(51) **LOC (7) Cl. .... 26-05**

(57) **CLAIM**

(52) **U.S. Cl. .... D26/63**

We claim the ornamental design for a housing of emergency lighting fixture, as shown and described.

(58) **Field of Search** ..... D26/63-66; 362/269, 362/275, 277, 287, 418, 419, 427, 147, 404-408, 428, 429, 425, 422, 421, 420

**DESCRIPTION**

(56) **References Cited**

FIG. 1 is a perspective view of the invention;

FIG. 2 is a front view of the invention;

FIG. 3 is a top or bottom view of the invention;

FIG. 4 is a right side view of the invention;

FIG. 5 is a left side view of the invention; and

FIG. 6 is a perspective view of the invention used in tandem;

FIG. 7 is a right or left side view of the invention as shown in FIG. 6;

FIG. 8 is a top or bottom view of the invention as shown in FIG. 6;

FIG. 9 is a front view of the invention as shown in FIG. 6; and,

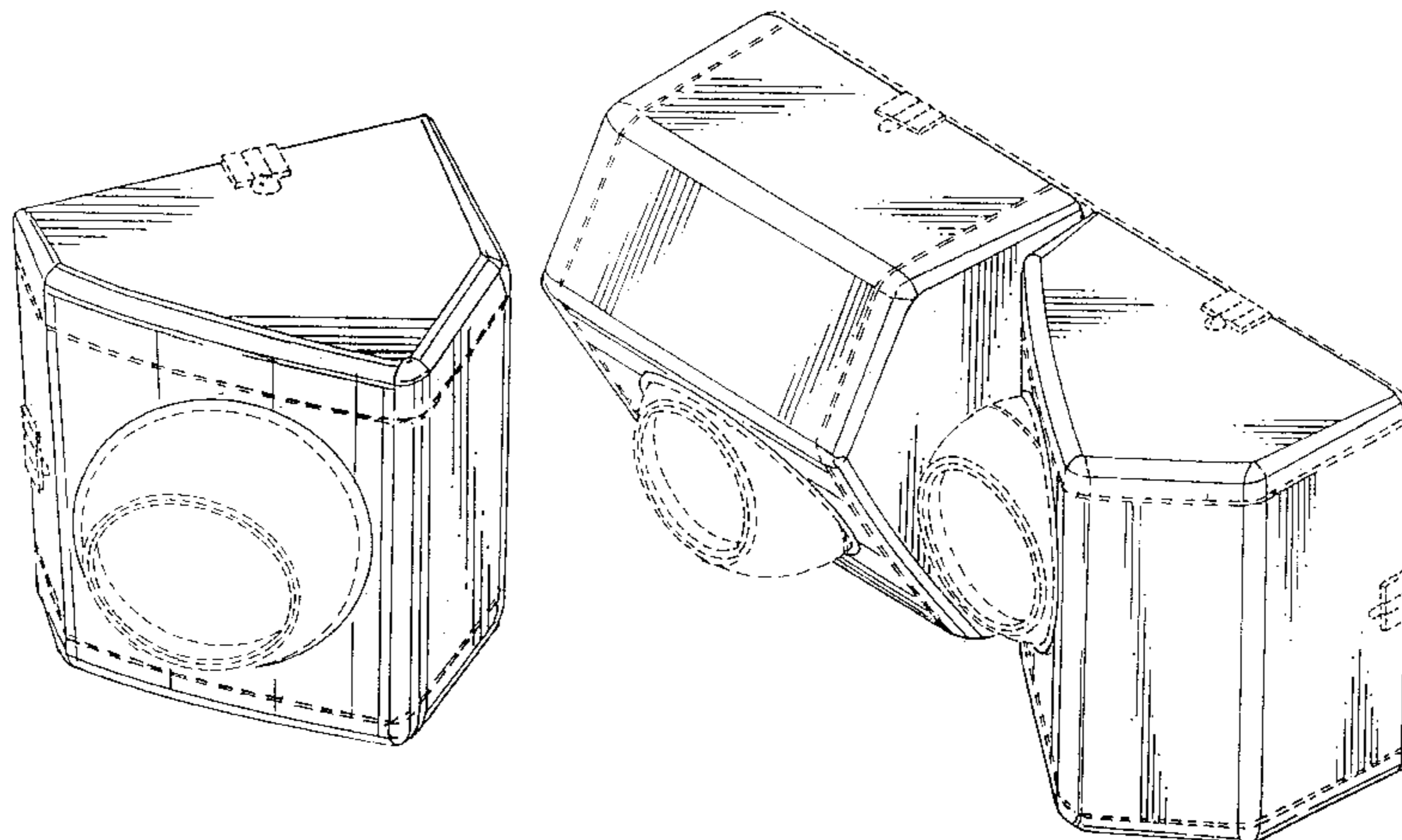
FIGS. 10 through 24 are perspective views of the invention showing various orientations thereof when being used in tandem on the same backplate.

The broken lines shown in the figures are for illustrative purposes only and form no part of the claimed design. The rear portion of the housing of the emergency lighting fixture is plain and forms no part of the claimed design.

**U.S. PATENT DOCUMENTS**

D. 264,007	4/1982	Heritage .	
D. 264,253	5/1982	Goldschmidt et al. .	
D. 264,254	5/1982	Heritage .	
D. 320,863	10/1991	Macaluso .	
D. 354,147	1/1995	Ueda .	
D. 379,246	* 5/1997	Haslam et al. ....	D26/63
D. 390,981	2/1998	Kaczorowski et al. .	
D. 400,995	* 11/1998	LaRosa et al. ....	D26/63
3,702,928	11/1972	Alger .	
3,772,527	11/1973	Darling et al. .	
4,155,111	5/1979	Kelly et al. .	
4,302,798	11/1981	Sit .	
4,460,947	7/1984	Kelly .	
4,499,528	2/1985	Hawlitzki .	
4,556,936	* 12/1985	Snow .....	362/269 X
4,751,627	* 6/1988	Usher .....	362/421
4,755,912	* 7/1988	Evans .....	362/419 X
4,827,386	5/1989	Mackiewicz .	
5,050,047	9/1991	Viner et al. .	
5,055,988	10/1991	Cartwright .	
5,446,634	8/1995	Okubo .	

**1 Claim, 12 Drawing Sheets**



OTHER PUBLICATIONS

PE Series Emergency Lighting—Hubbell Lighting Sep. 1991.

Series DM,DS—Lightalarms—pp. D3–D4 D4 Jul. 1988.

KB-1—Lightalarms—Nov. 1990.

Watchguard EMS—Sure-Lights, Prior to Filing Date.

Windsor—Big Beam Emergency System, Inc., Prior to Filing Date.

Emergency Lighting Products—Dual-Lite Jun. 1996.

Two (2) photographs of Prescolite Designer Series Emergency Light, Prior to Filing Date.

Two (2) photographs of Lithonia Lighting LH QM Series Emergency Light, Prior to Filing Date.

Two (2) photographs of Chloride Systems Infinity Series Emergency Light, Prior to Filing Date.

Two (2) photographs of Chloride Systems Celebrity Series Emergency Light, Prior to filing Date.

Two (2) photographs of Atlite Lighting Equipment, Inc. PC Series Emergency Light, Prior to Filing Date.

Two (2) photographs of Emergi-Lite Escort Series Emergency Light, Prior To Filing Date.

Two (2) photographs of Emergi-Lite PRO Series Emergency Light, Prior To Filing Date.

Three (3) photographs of Chloride Systems GM Series Emergency Light, Prior To Filing Date.

Two (2) photographs of Hubbell Lighting Inc. PE Series Emergency Light, Prior To Filing Date.

Two (2) photographs of Emergi-Lite Escort Series Emergency Light, Prior To Filing Date.

Two (2) photographs of Lightalarms Electronic Corp. Cavalier II Emergency Light, Prior To Filing Date.

Two (2) photographs of JUNO Lighting, Inc. ECR Series Emergency Light, Prior To Filing Date.

Six (6) photographs of Lithonia Lighting ELM Series Emergency Light, Prior To Filing Date.

Two (2) photographs of Sure-Lites/Cooper Lighting CCX Series Emergency Light, Prior To Filing Date.

Liteforms Collection—LZ Series Emergency Lighting Units, Dual-Lite, Jun. 1997.

Liteforms Collection—LT Series Tandem Emergency Lighting Unit/Exit Signs, Dual-Lite, Jun. 1997.

\* cited by examiner

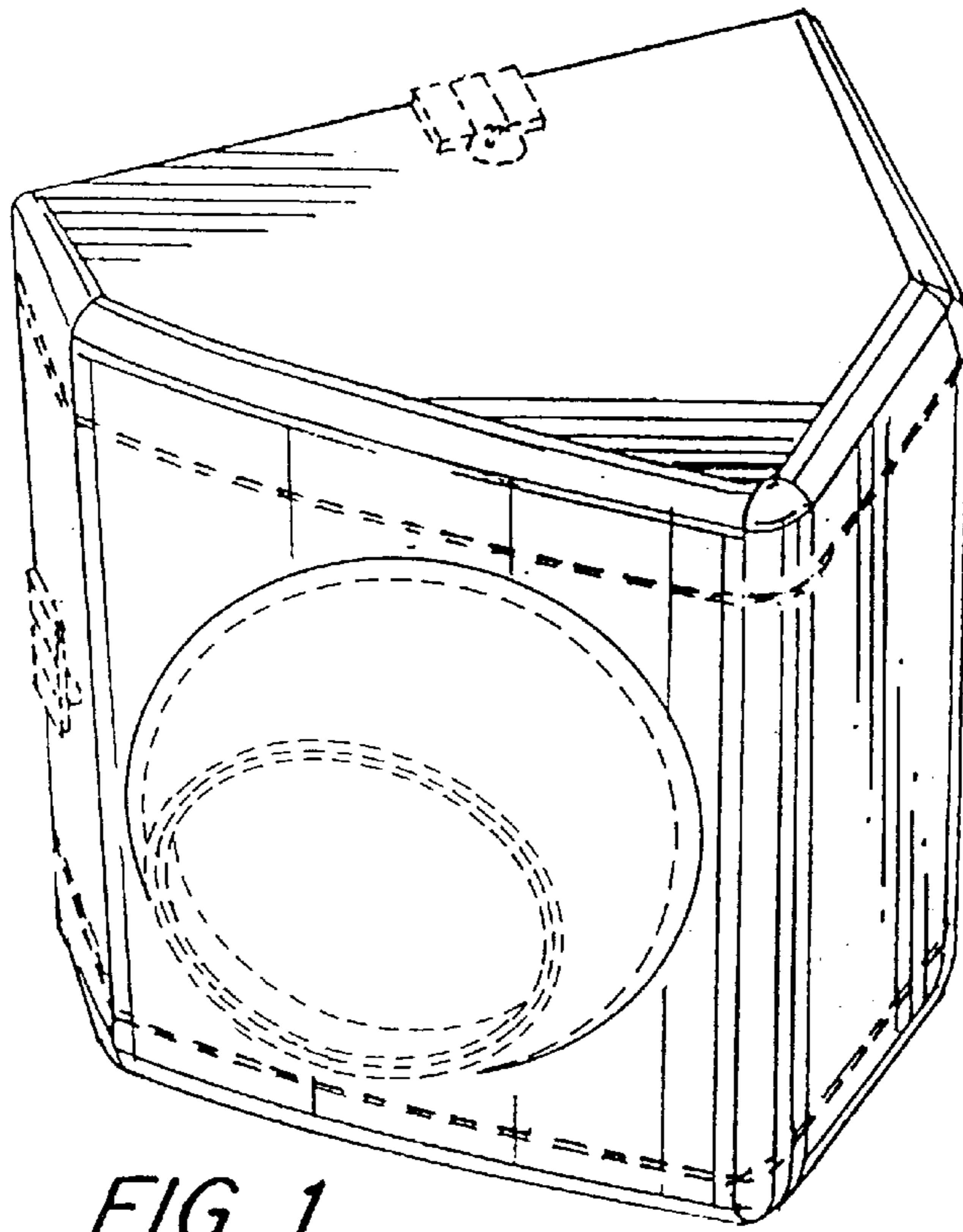


FIG. 1

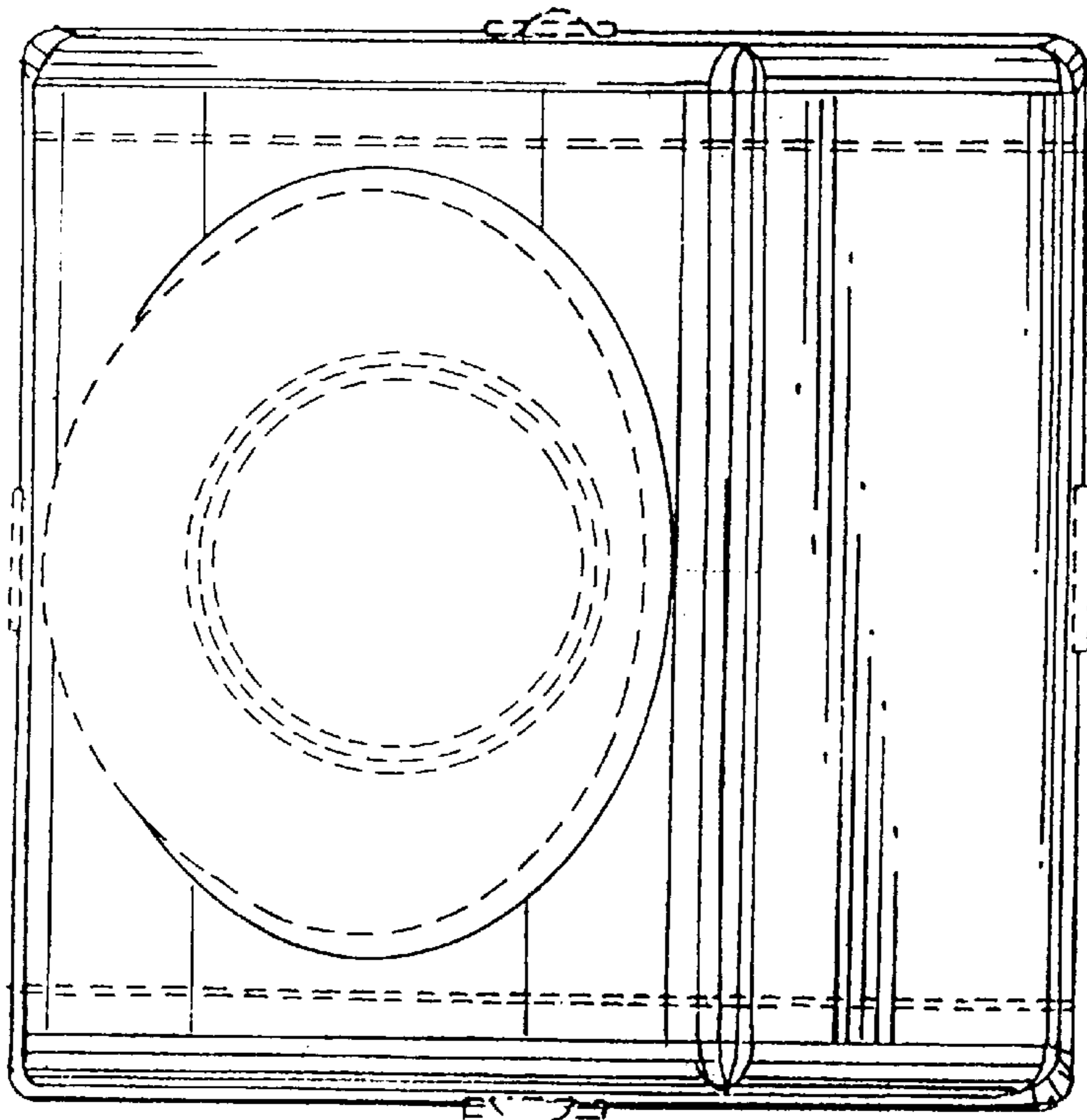


FIG. 2

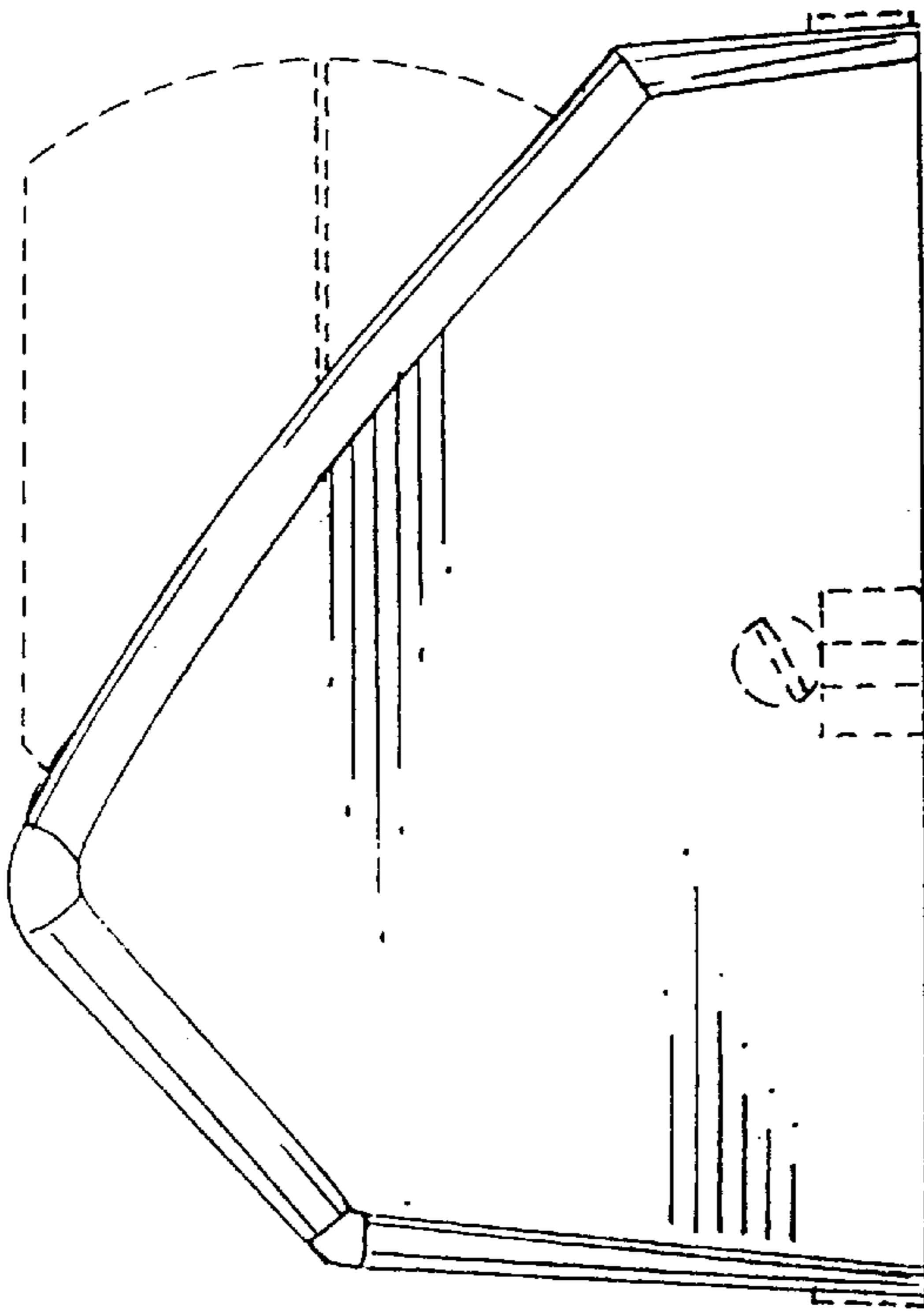


FIG. 3

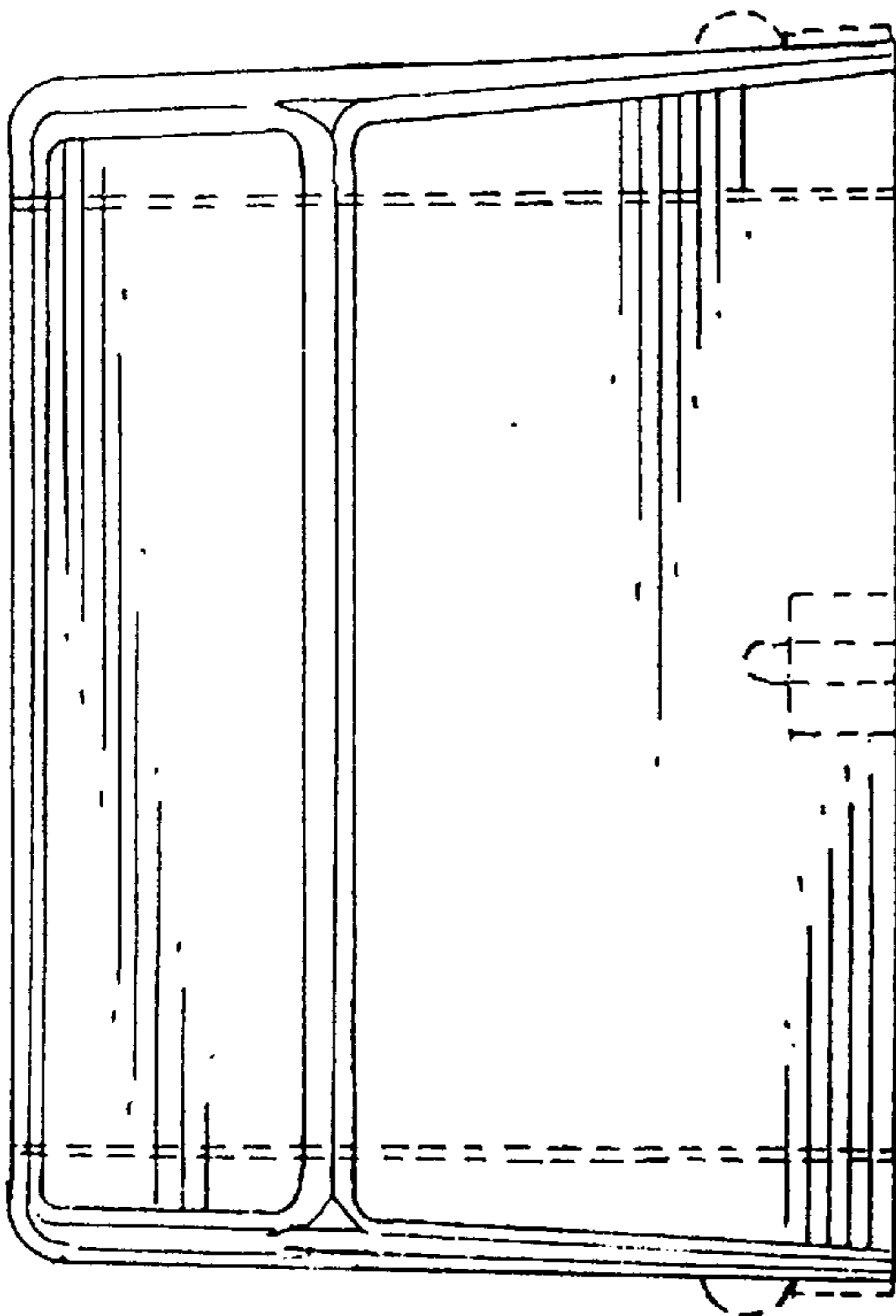


FIG. 4

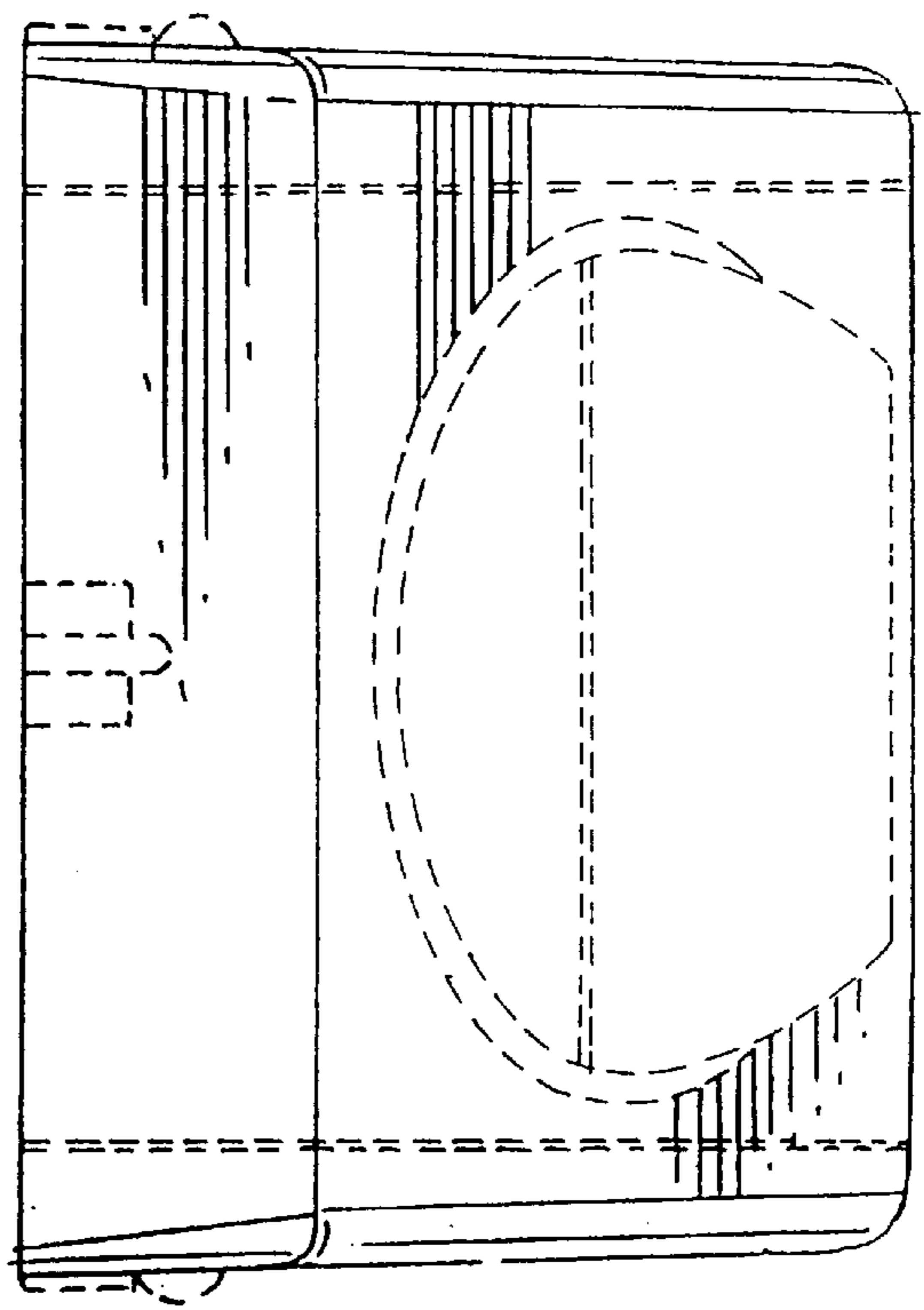


FIG. 5

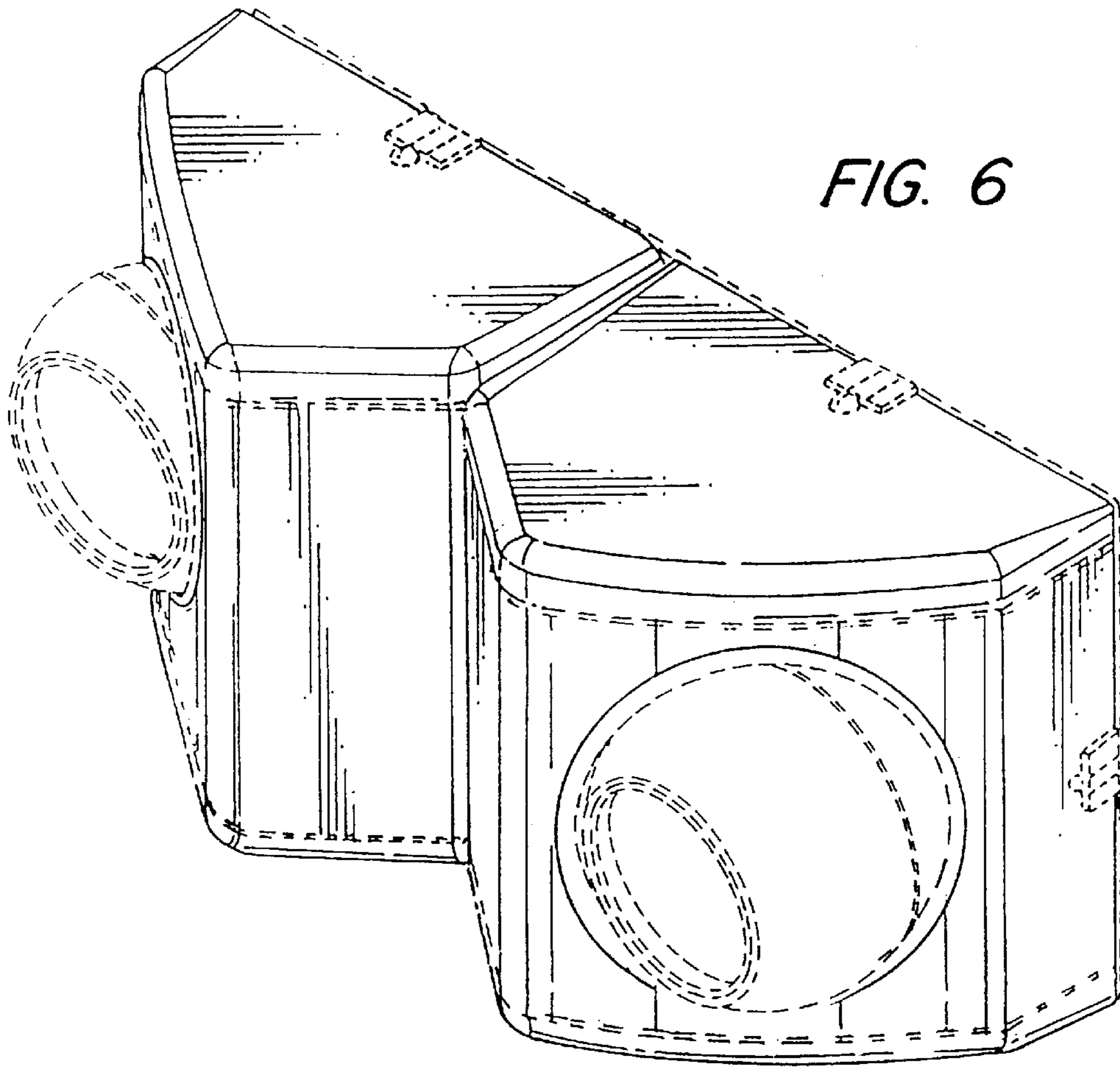
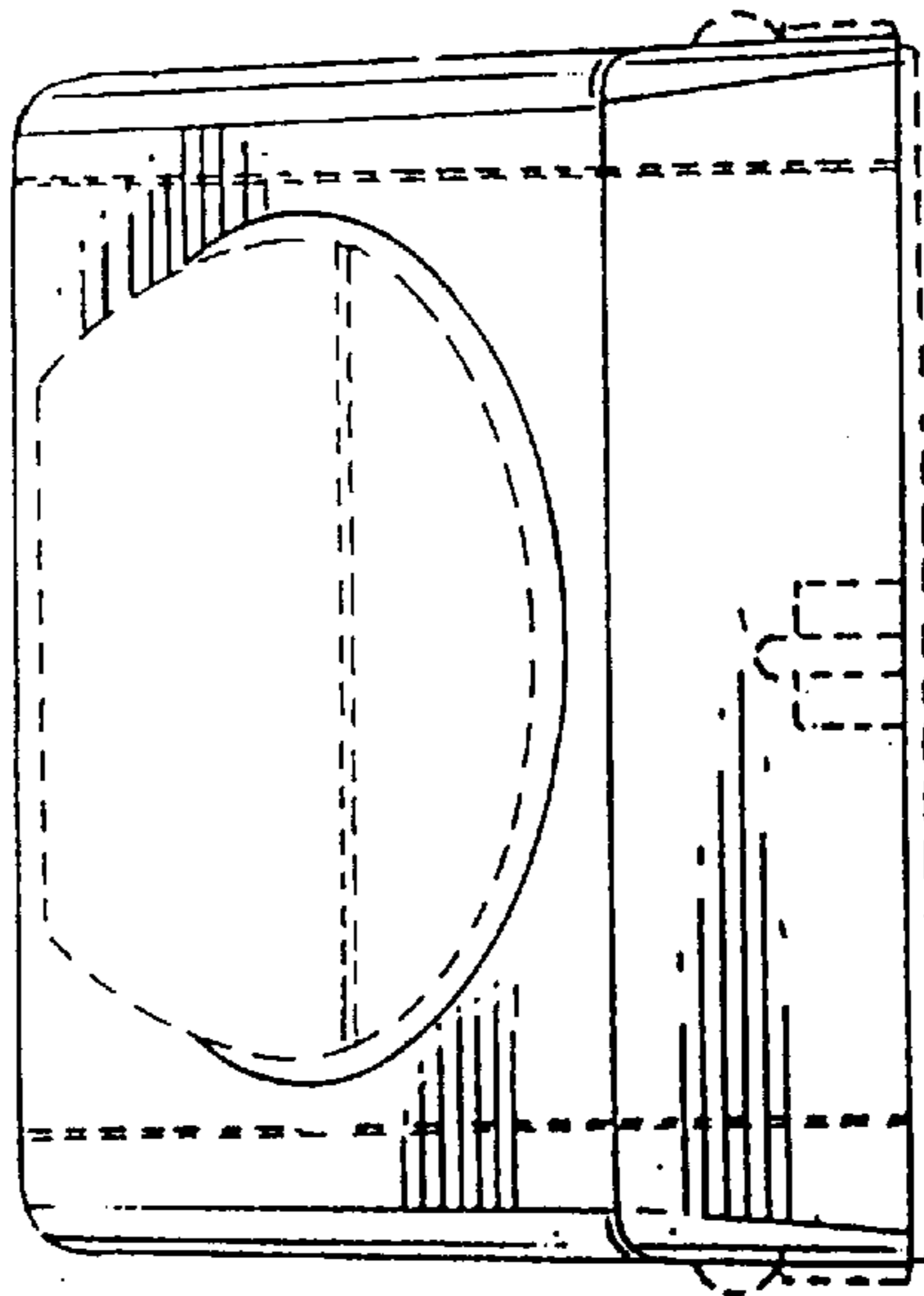
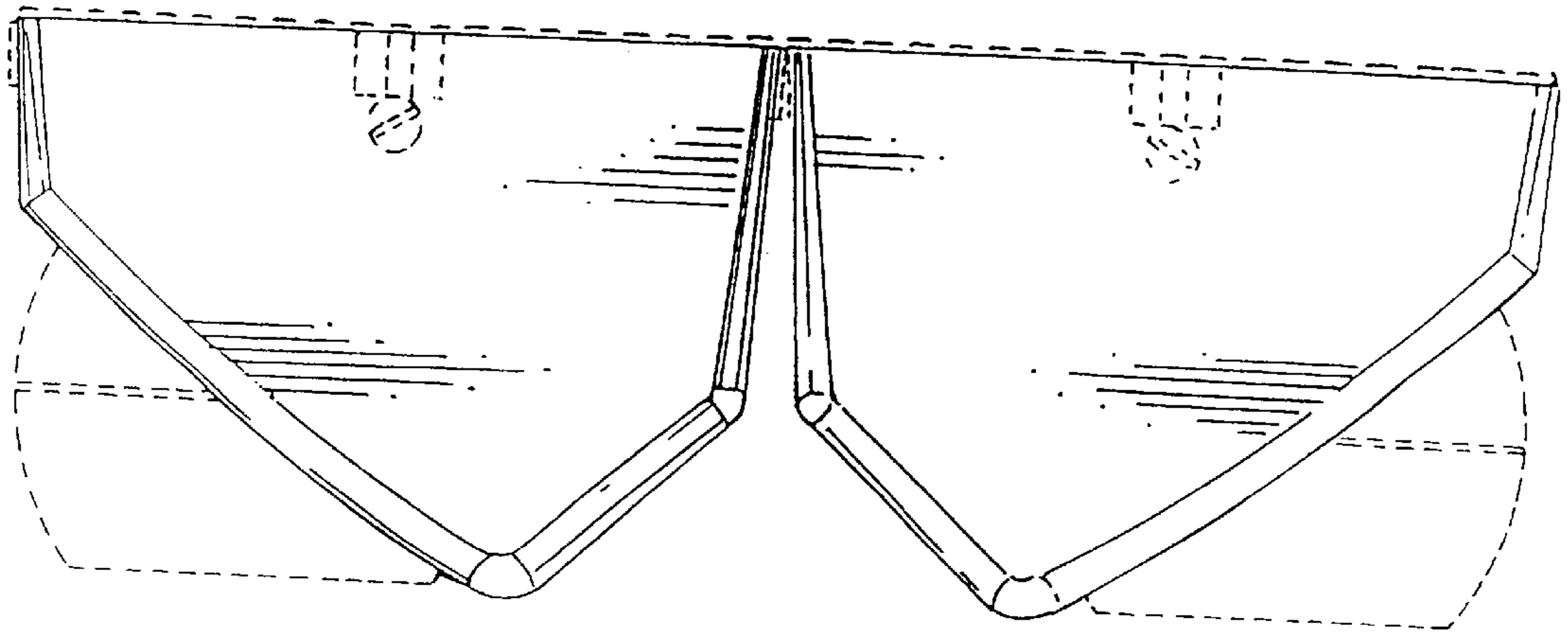
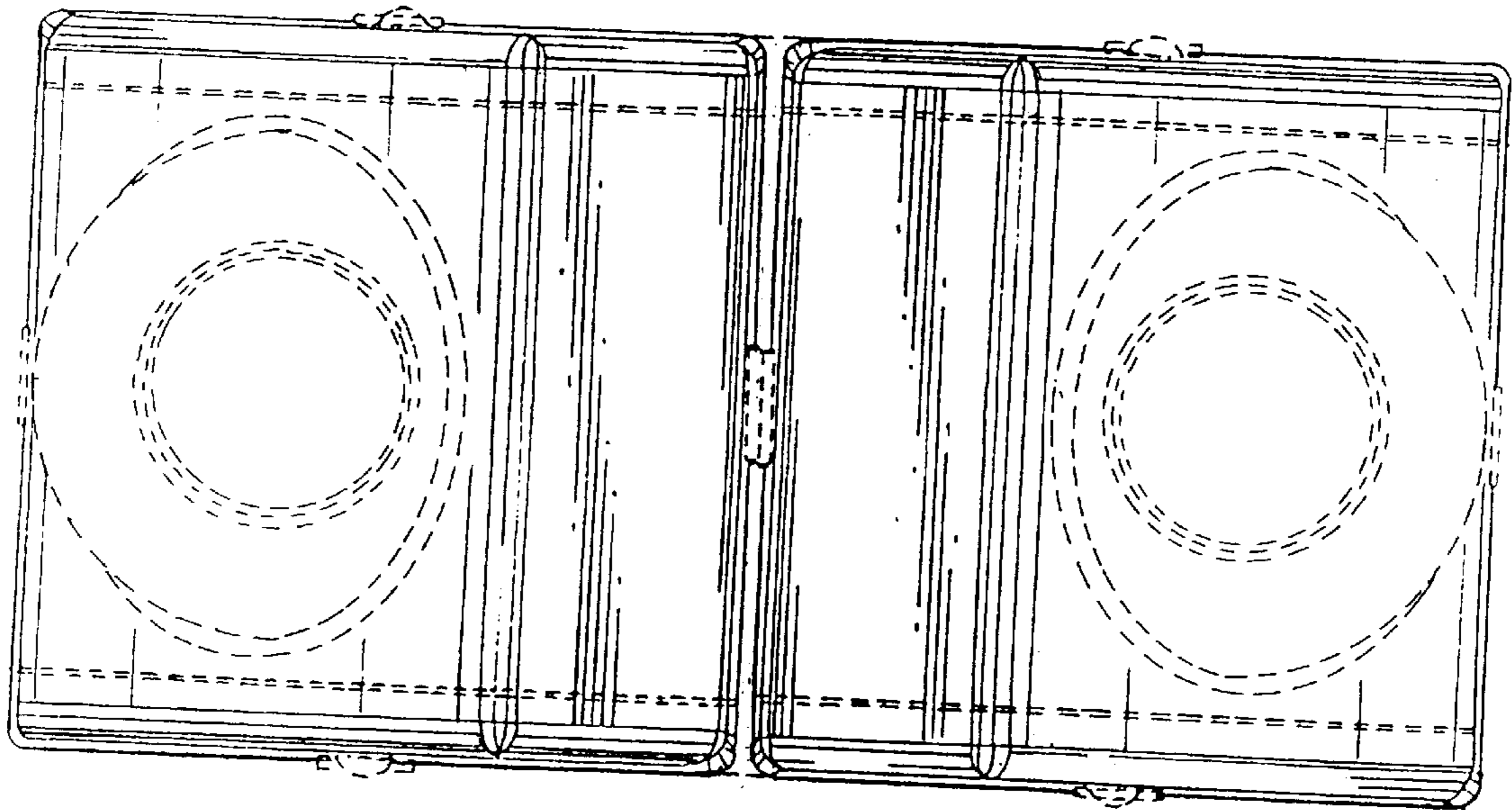


FIG. 7

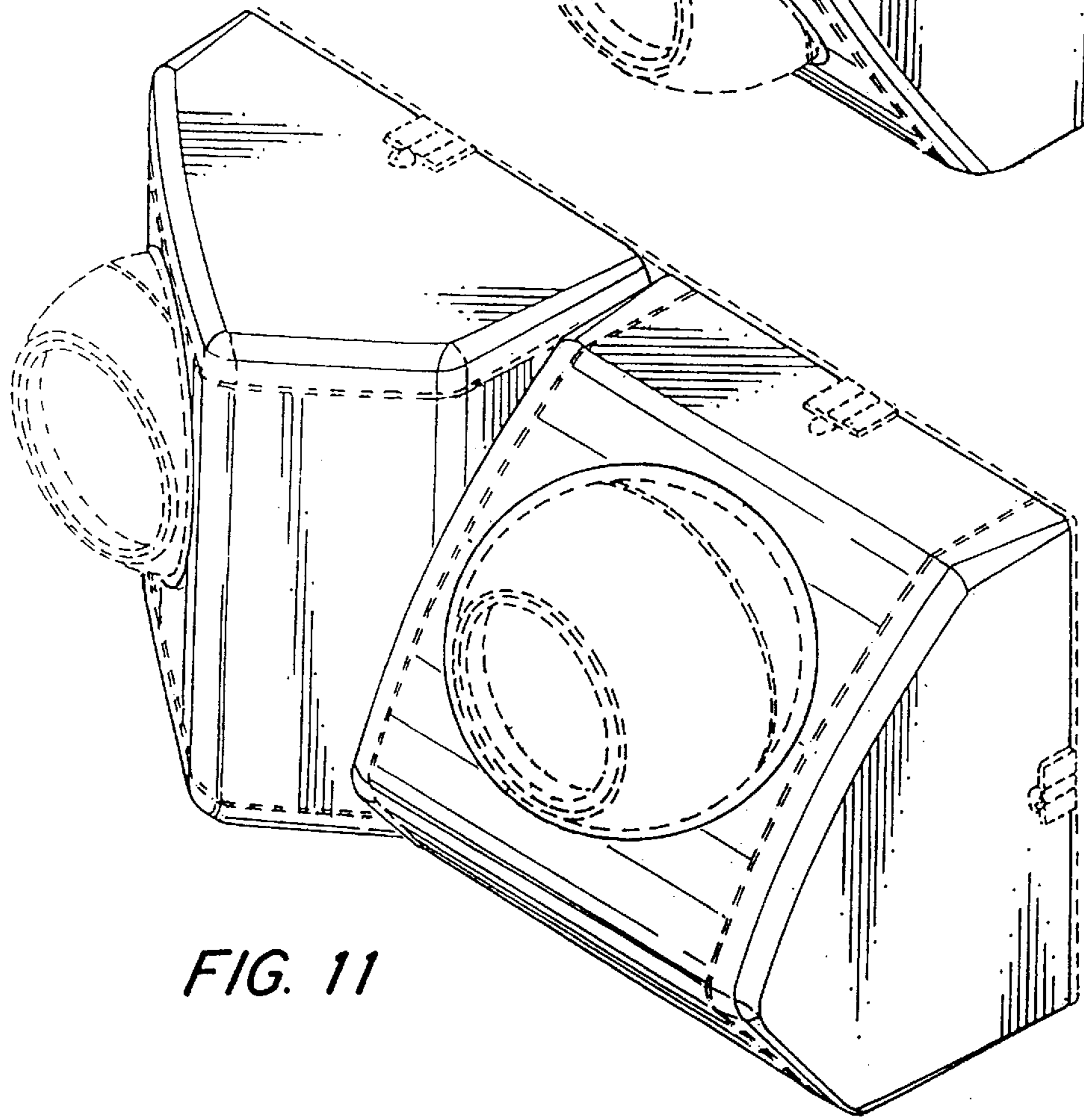
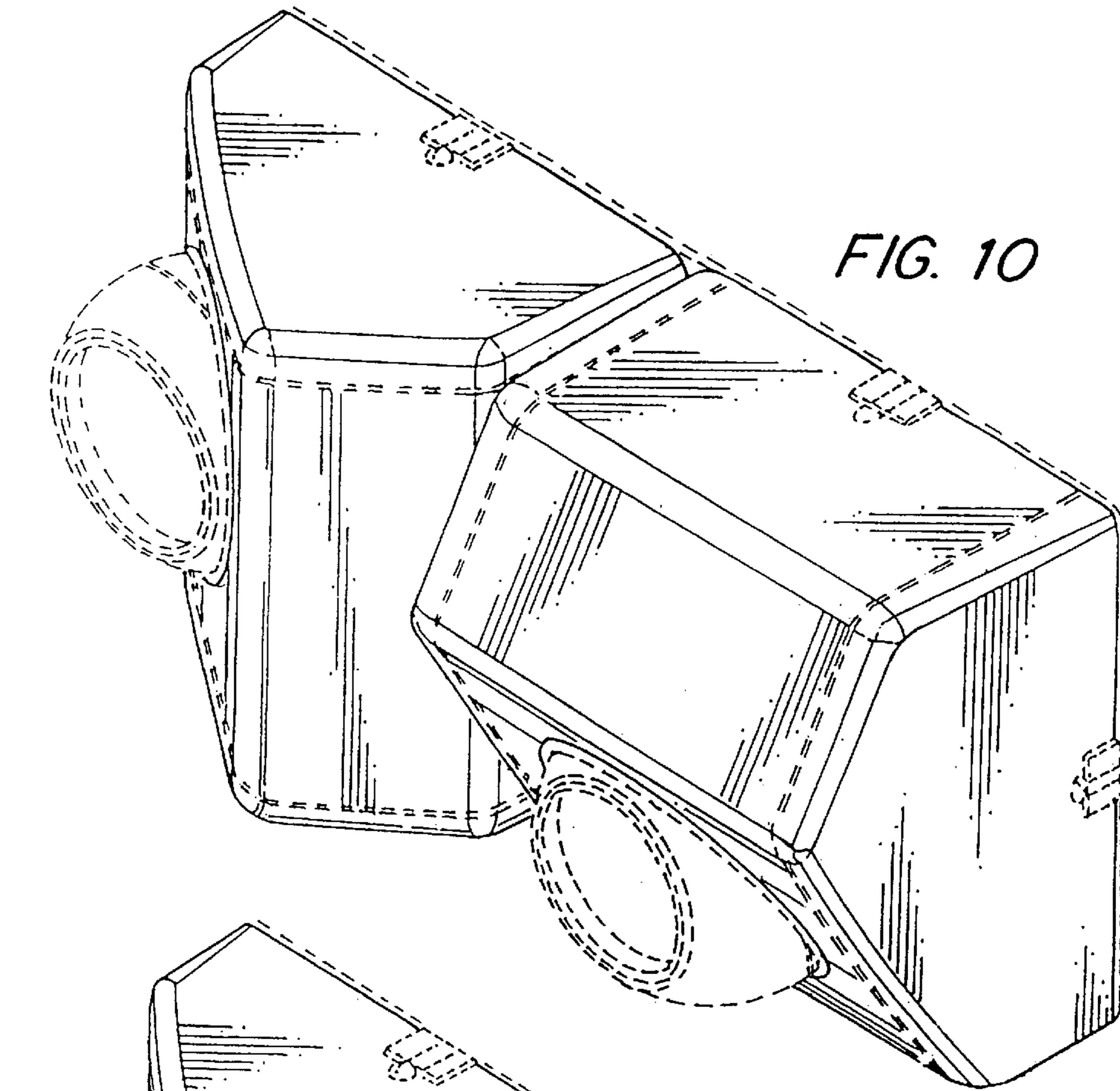


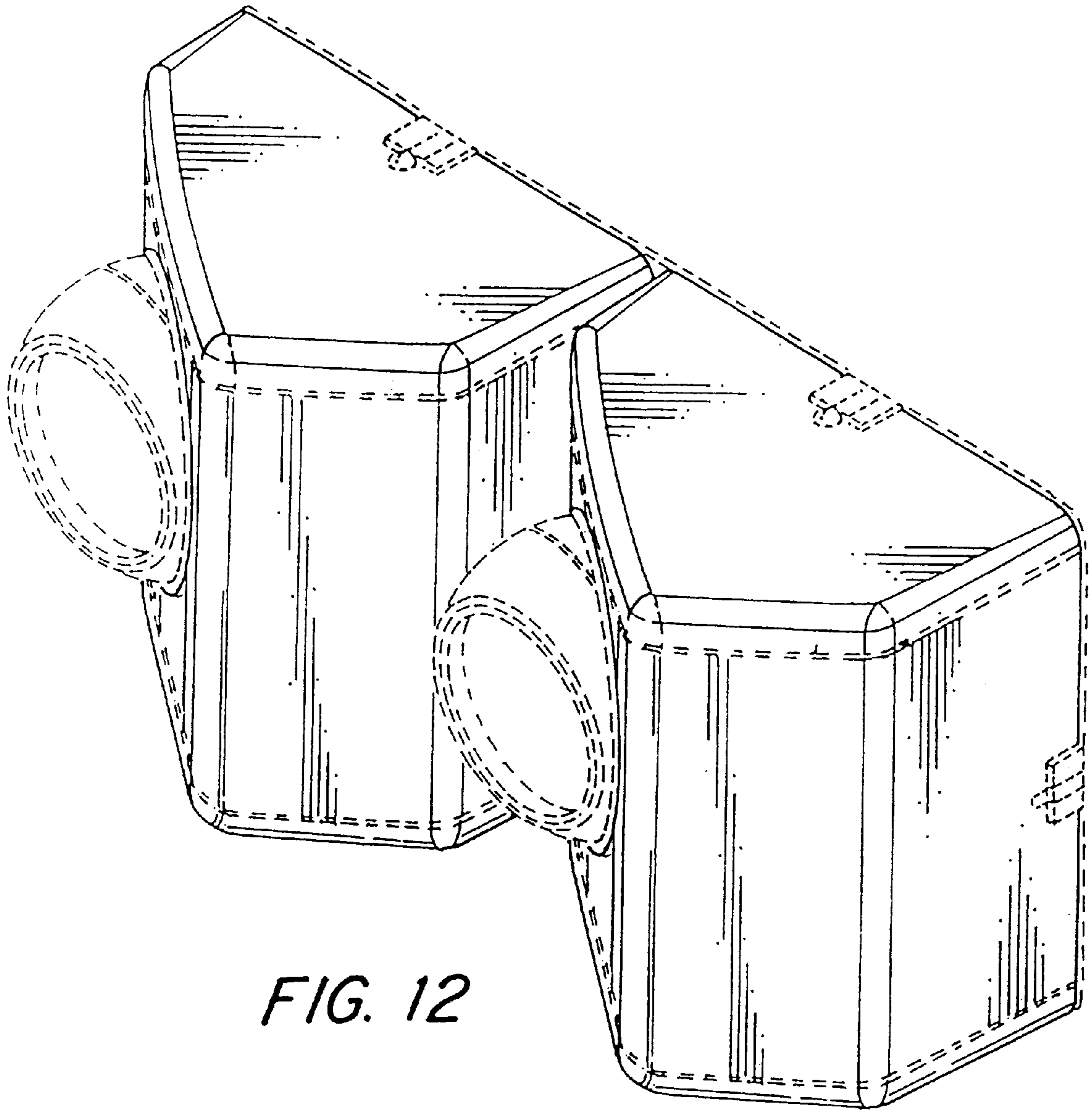


*FIG. 8*



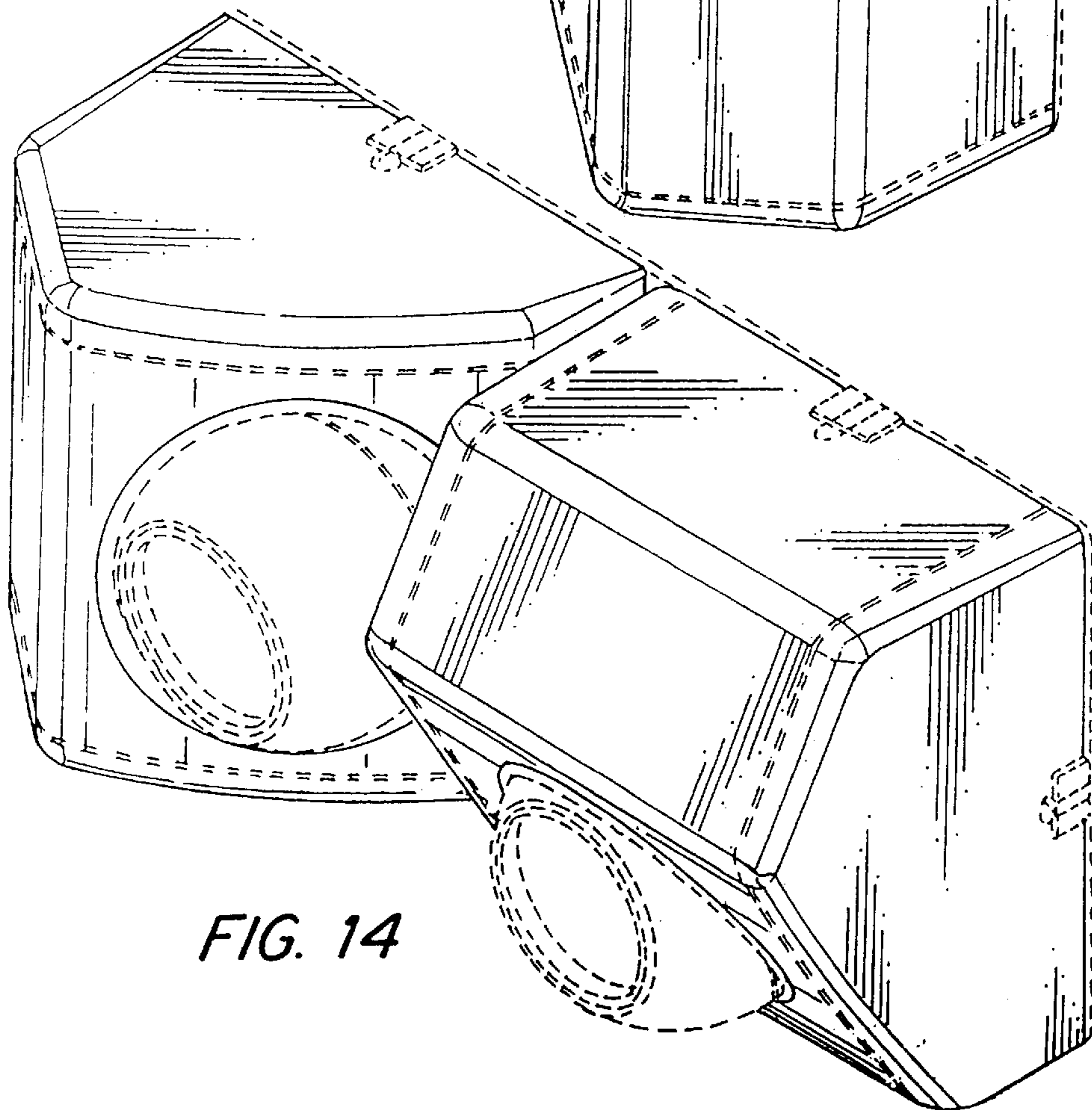
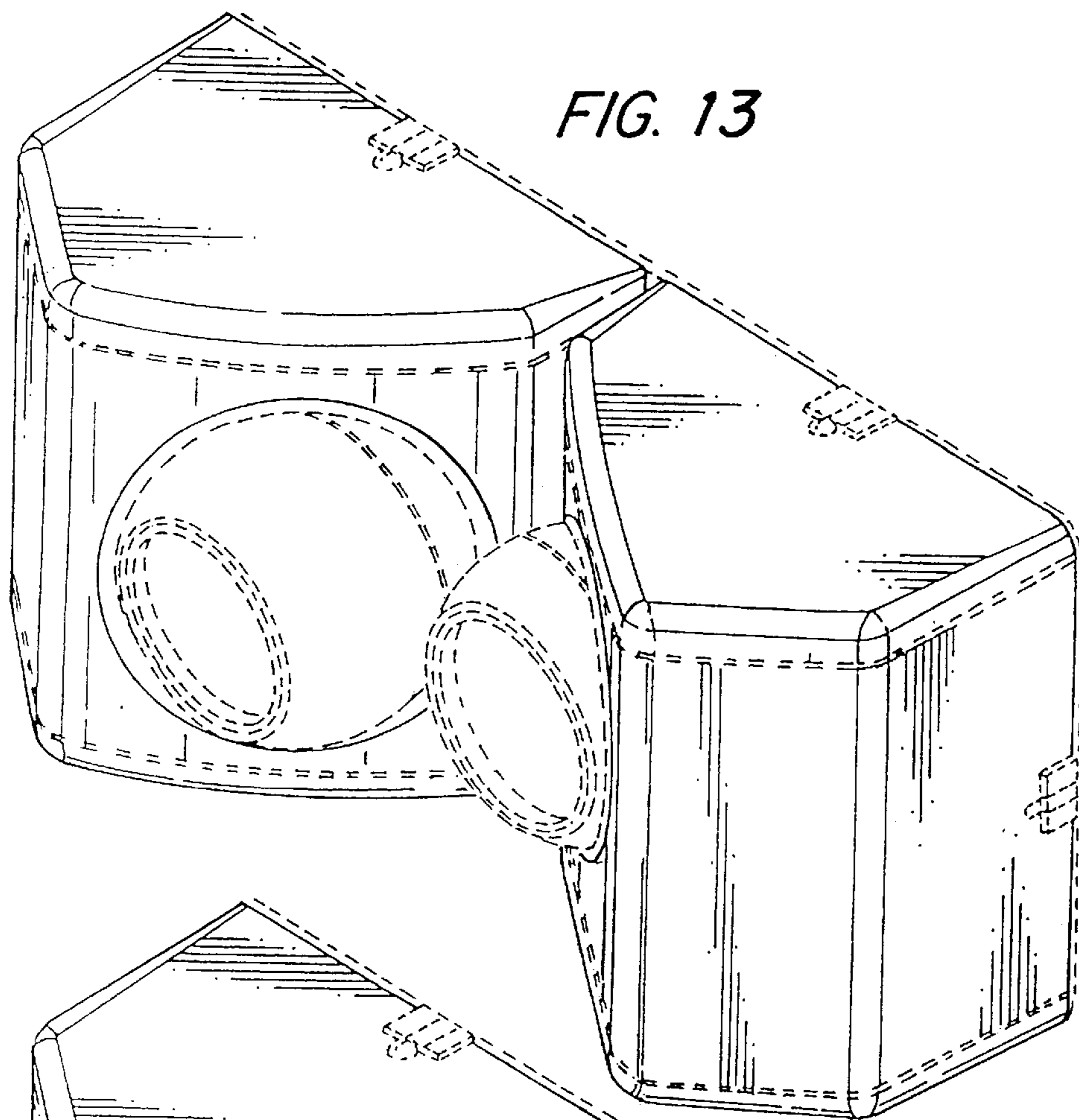
*FIG. 9*

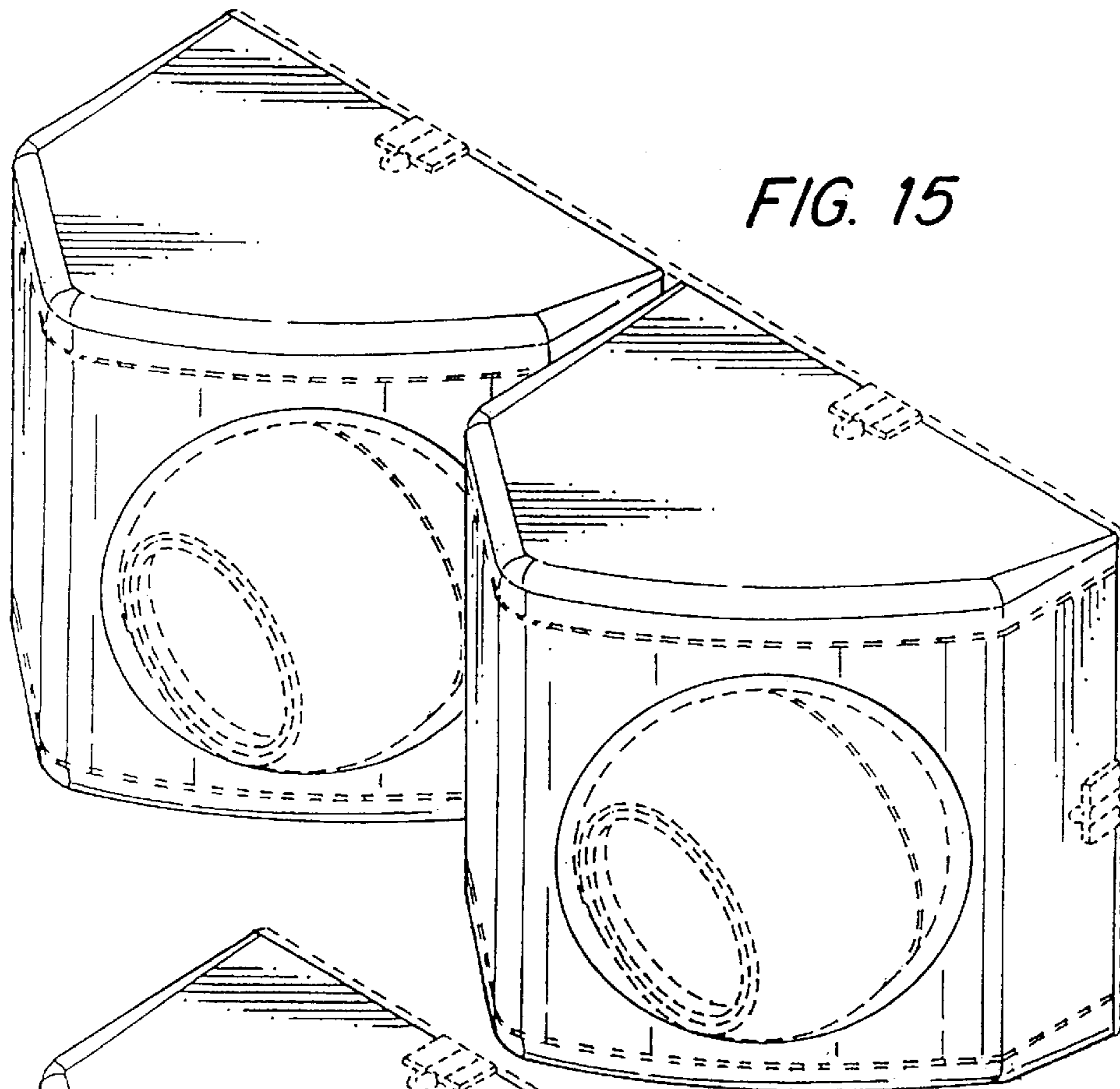




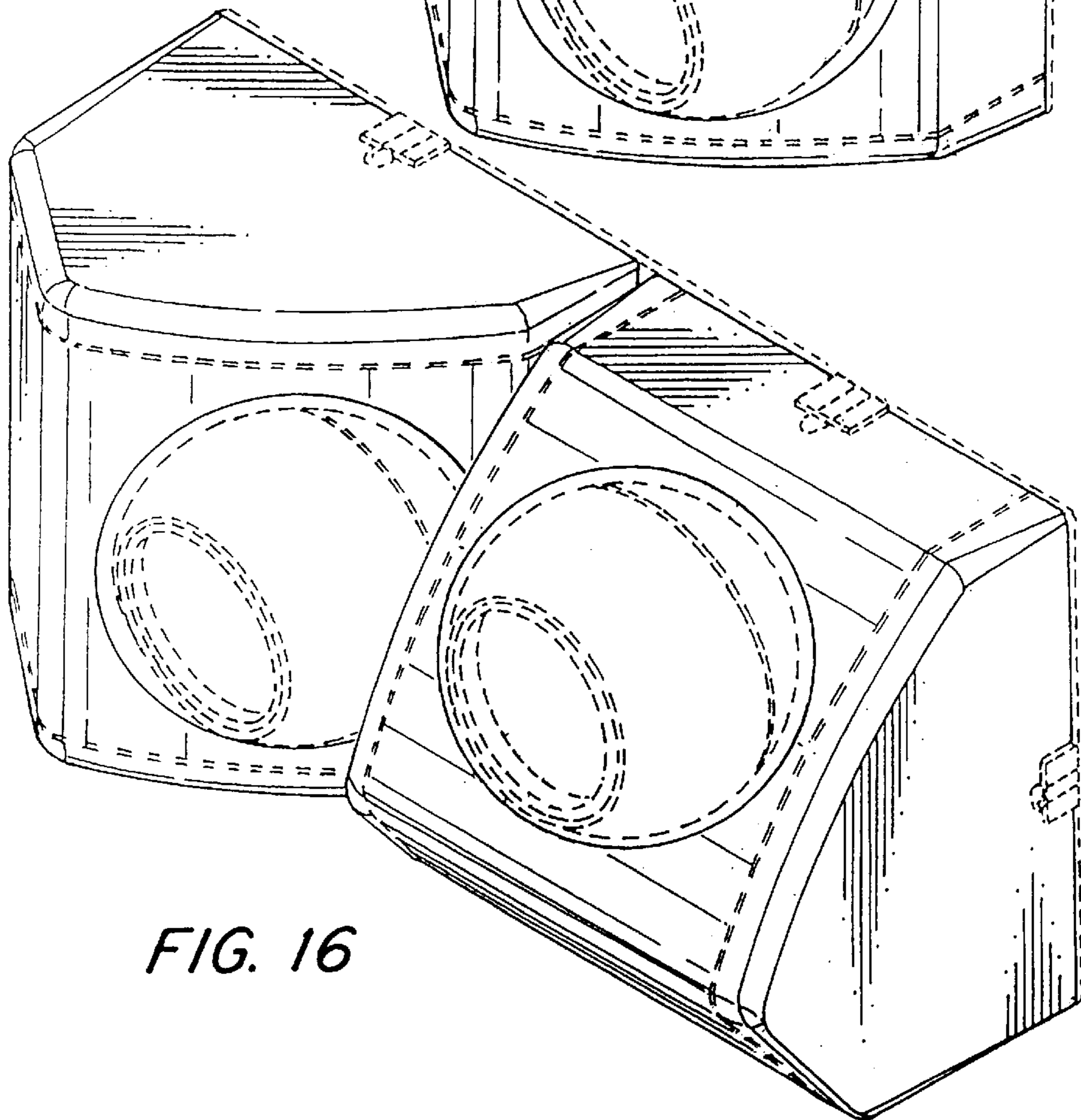
*FIG. 12*



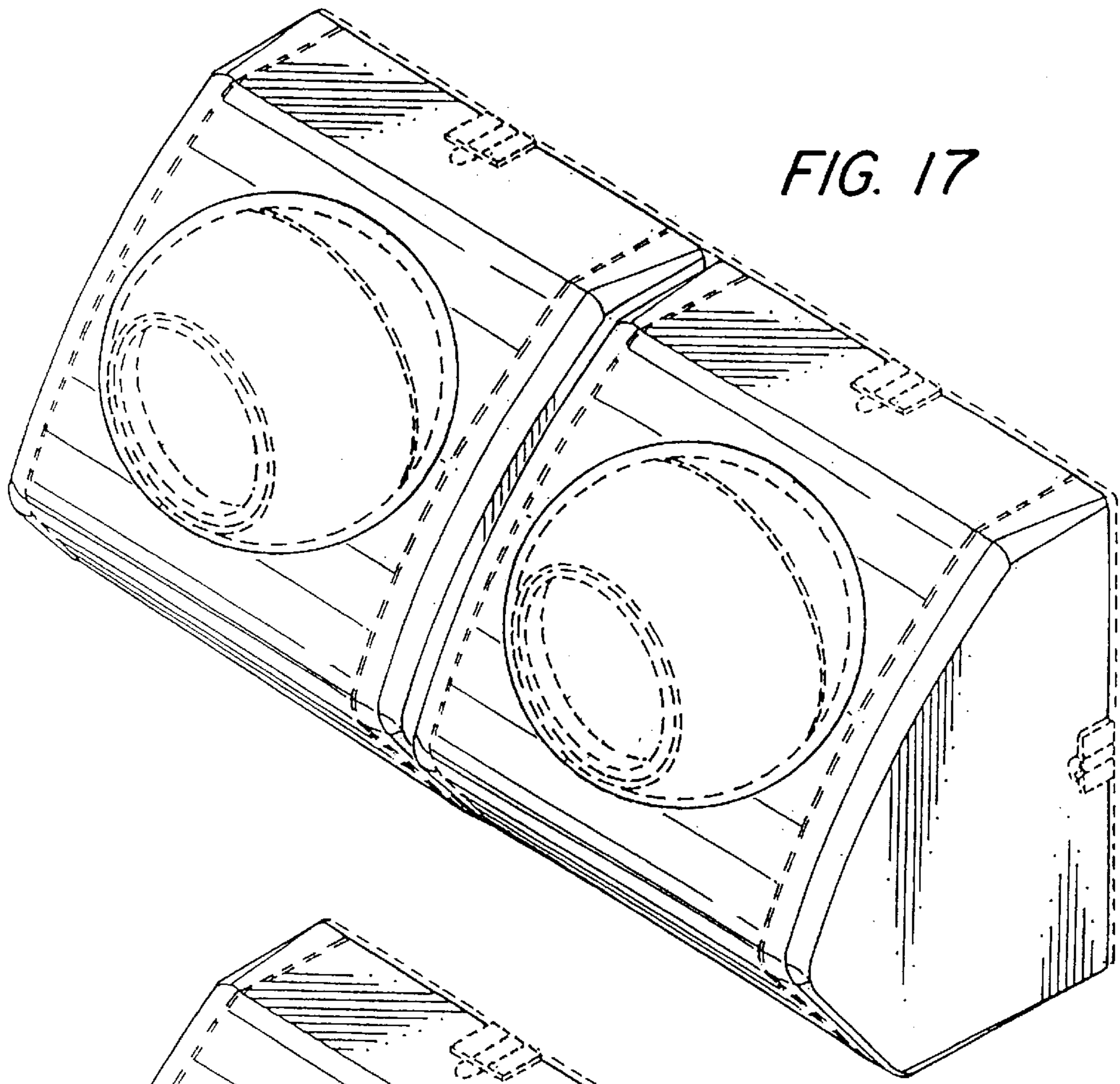




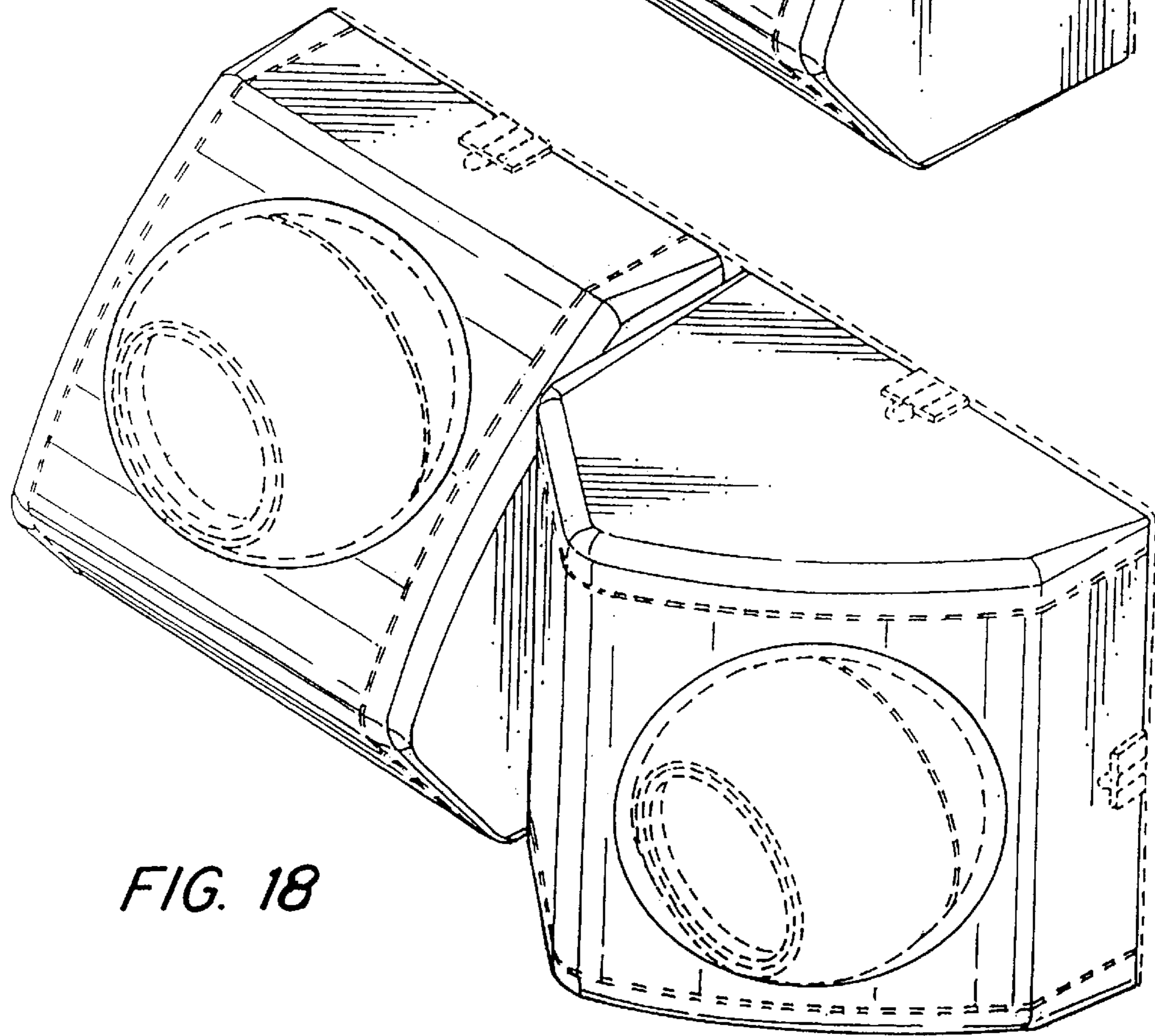
*FIG. 15*



*FIG. 16*



*FIG. 17*



*FIG. 18*

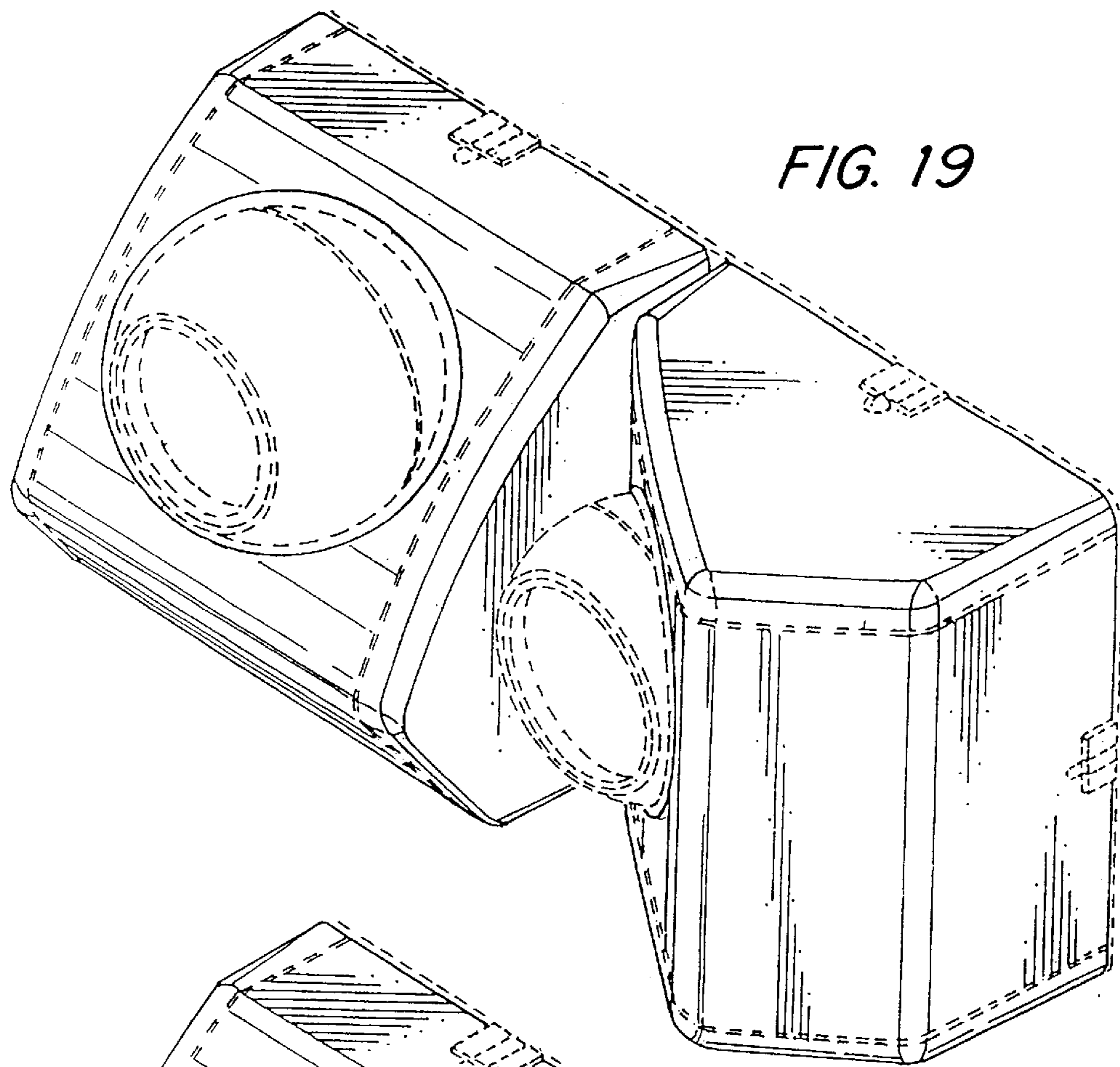


FIG. 19

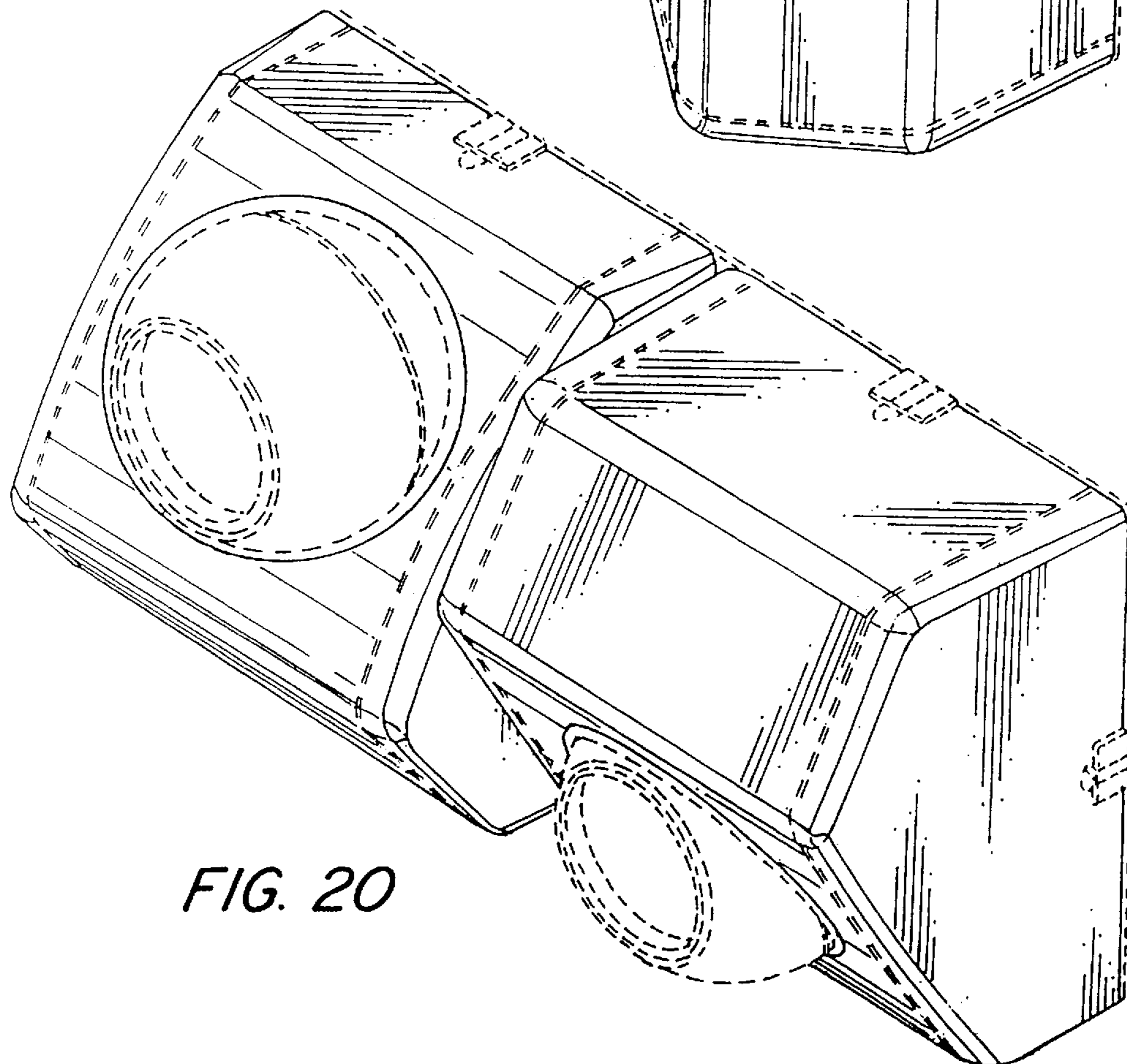


FIG. 20

FIG. 21

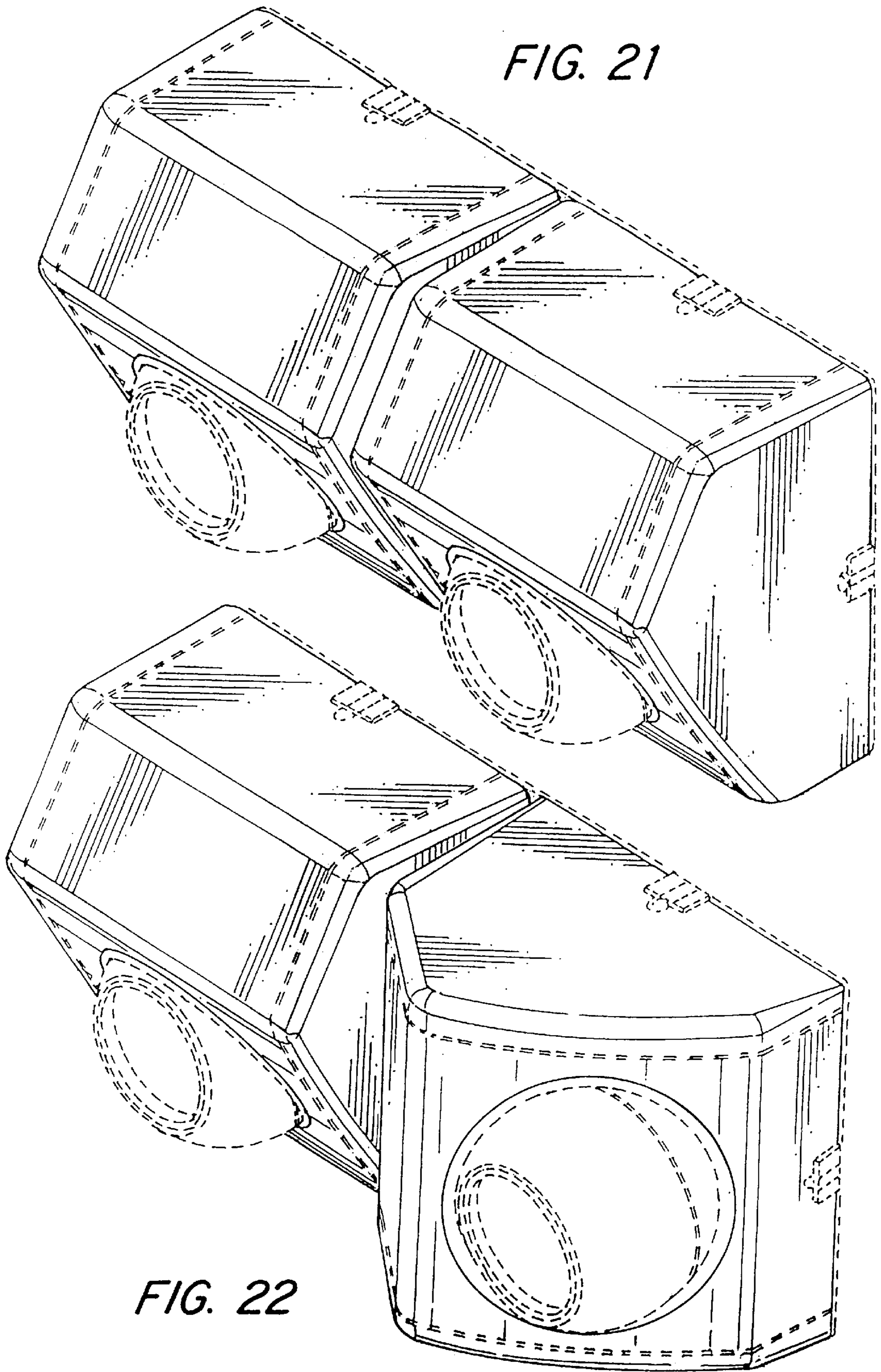
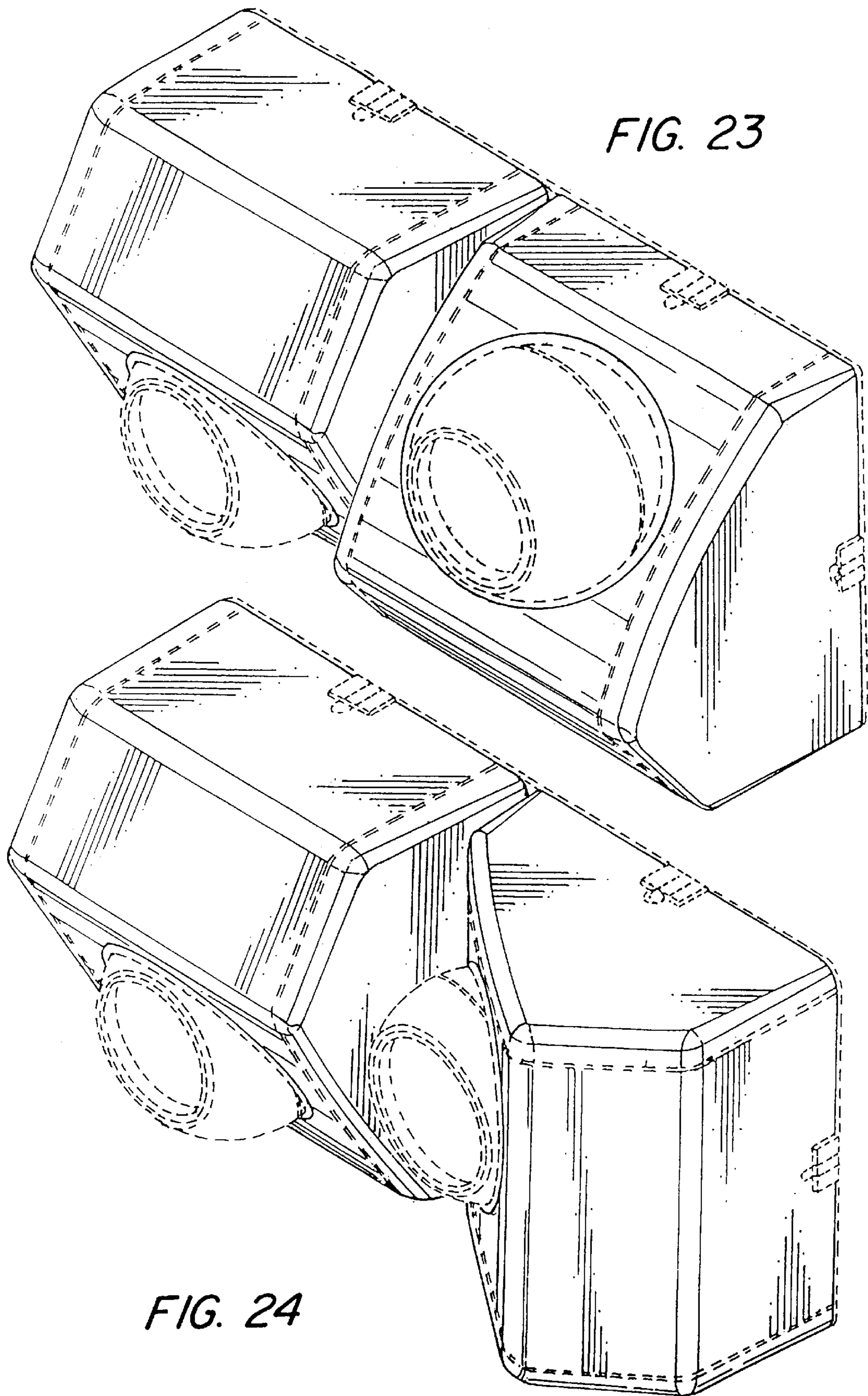


FIG. 22



UNITED STATES PATENT AND TRADEMARK OFFICE  
**CERTIFICATE OF CORRECTION**

PATENT NO. : Des. 441,475 S  
DATED : May 1, 2001  
INVENTOR(S) : Joseph Wegrzyn and Joseph M. LaRosa

Page 1 of 1

It is certified that error appears in the above-identified patent and that said Letters Patent is hereby corrected as shown below:

Claim

Line 1, after "of", insert -- an --.

Signed and Sealed this

Eighteenth Day of December, 2001

Attest:



Attesting Officer

JAMES E. ROGAN  
Director of the United States Patent and Trademark Office