



US00D441474S

(12) **United States Design Patent**
Poon

(10) **Patent No.:** **US D441,474 S**

(45) **Date of Patent:** **** May 1, 2001**

(54) **EXTENDABLE LAMP**

(75) Inventor: **Tit Wing Poon**, Shatin (CN)

(73) Assignee: **Flying Dragon Development Ltd.**,
Hong Kong (CN)

(**) Term: **14 Years**

(21) Appl. No.: **29/128,647**

(22) Filed: **Aug. 29, 2000**

(30) **Foreign Application Priority Data**

Mar. 3, 2000 (CN) 0010258

(51) **LOC (7) Cl.** **26-02**

(52) **U.S. Cl.** **D26/45**

(58) **Field of Search** D26/37-50; 362/157,
362/158, 183-208

(56) **References Cited**

U.S. PATENT DOCUMENTS

- D. 278,084 * 3/1985 Parker et al. D26/45
- D. 301,752 * 6/1989 Osterhout D26/45
- D. 429,013 * 8/2000 Poon D26/45

D. 431,662 * 10/2000 Krieger D26/45

* cited by examiner

Primary Examiner—Marcus A. Jackson

(74) *Attorney, Agent, or Firm*—Alix, Yale & Ristas, LLP

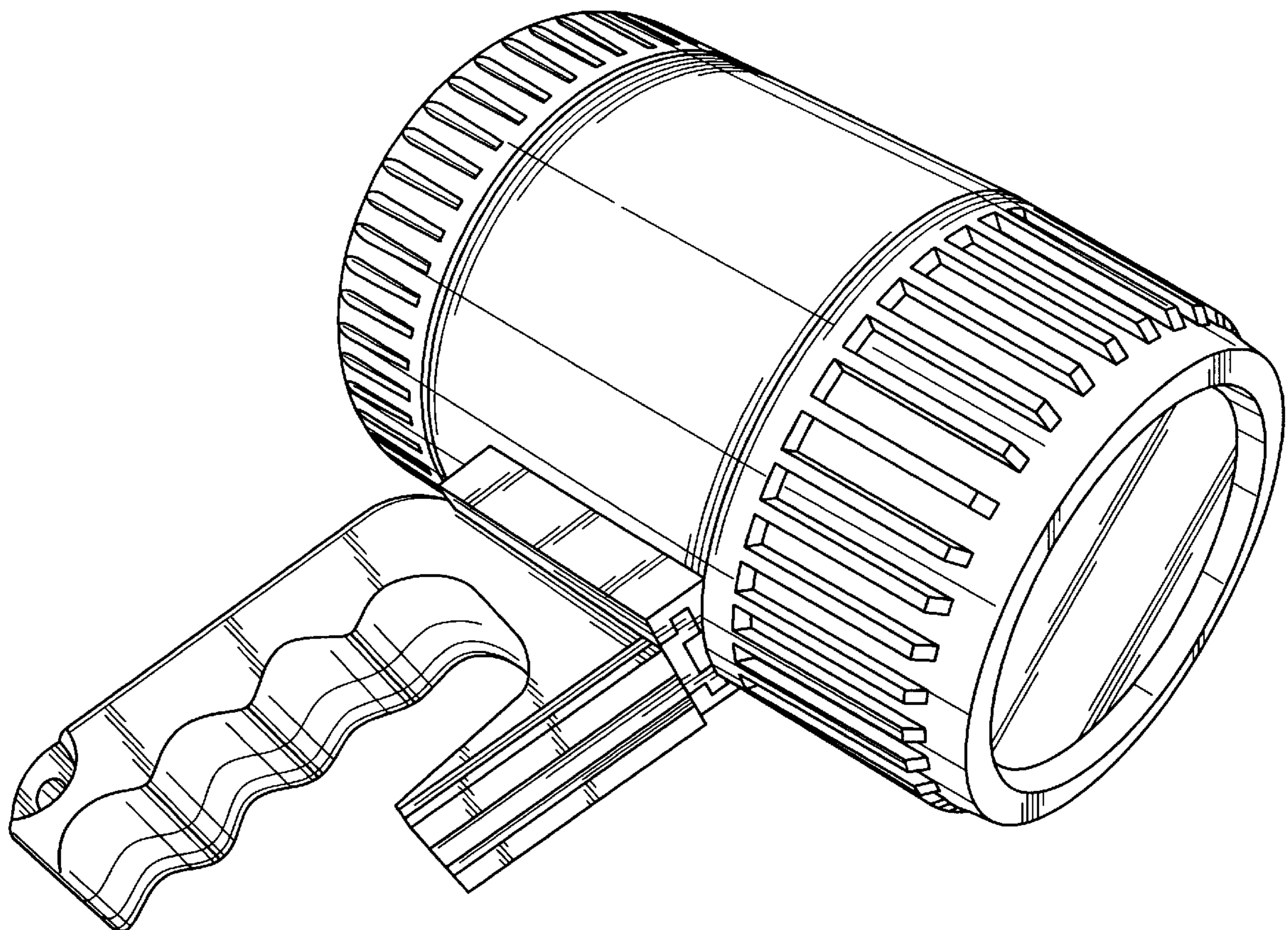
(57) **CLAIM**

The ornamental design for an extendable lamp, as shown and described.

DESCRIPTION

FIG. 1 is a front perspective view of the extendable lamp showing my new design;
 FIG. 2 is a front perspective view in an extended position of the extendable lamp of FIG. 1;
 FIG. 3 is a front view of the extendable lamp of FIG. 1;
 FIG. 4 is a rear view of the extendable lamp of FIG. 1;
 FIG. 5 is a left side view of the extendable lamp of FIG. 1;
 FIG. 6 is a right side view of the extendable lamp of FIG. 1;
 FIG. 7 is a top plan view of the extendable lamp of FIG. 1;
 and,
 FIG. 8 is a bottom plan view of the extendable lamp of FIG. 1.

1 Claim, 8 Drawing Sheets



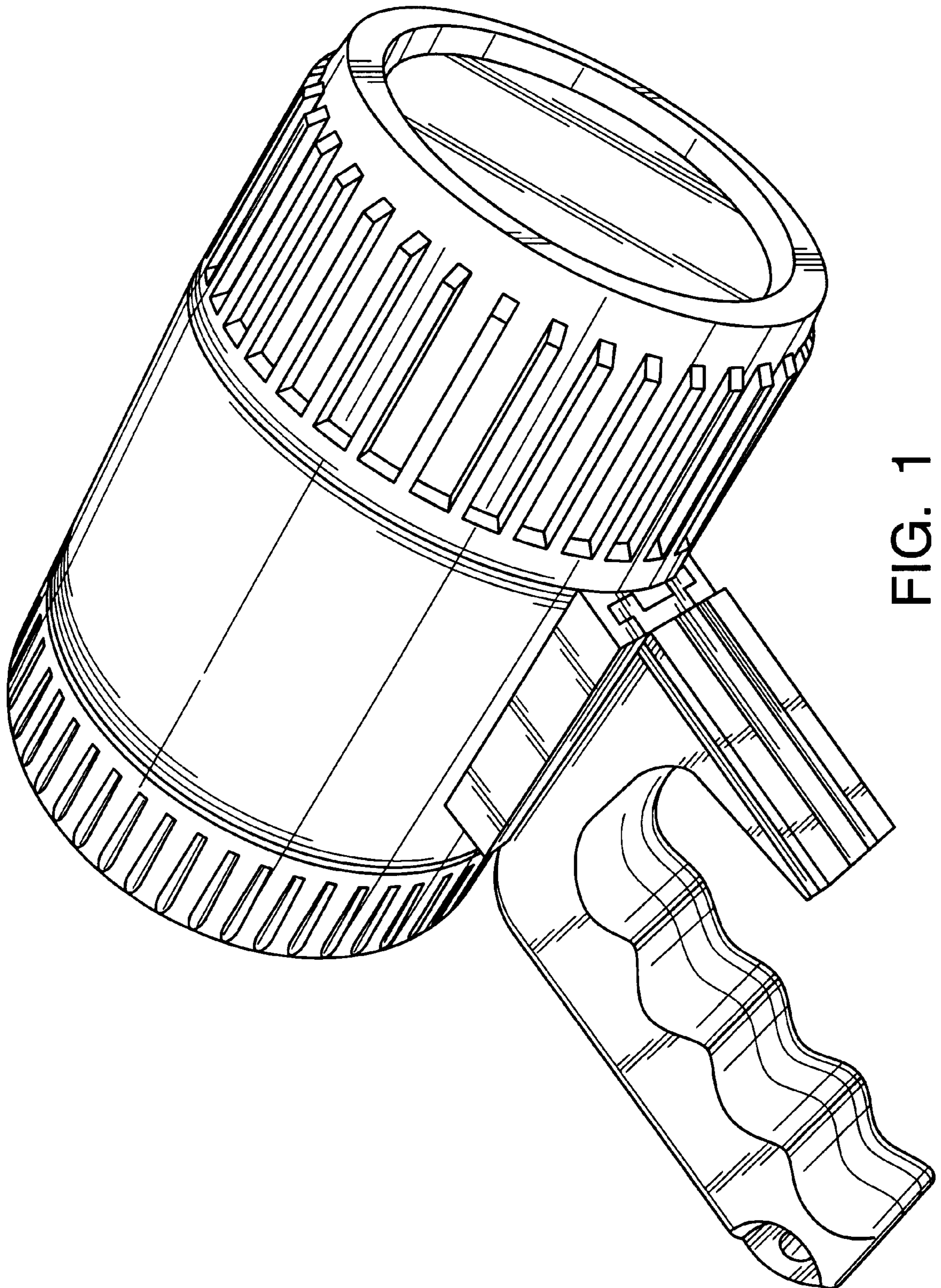


FIG. 1

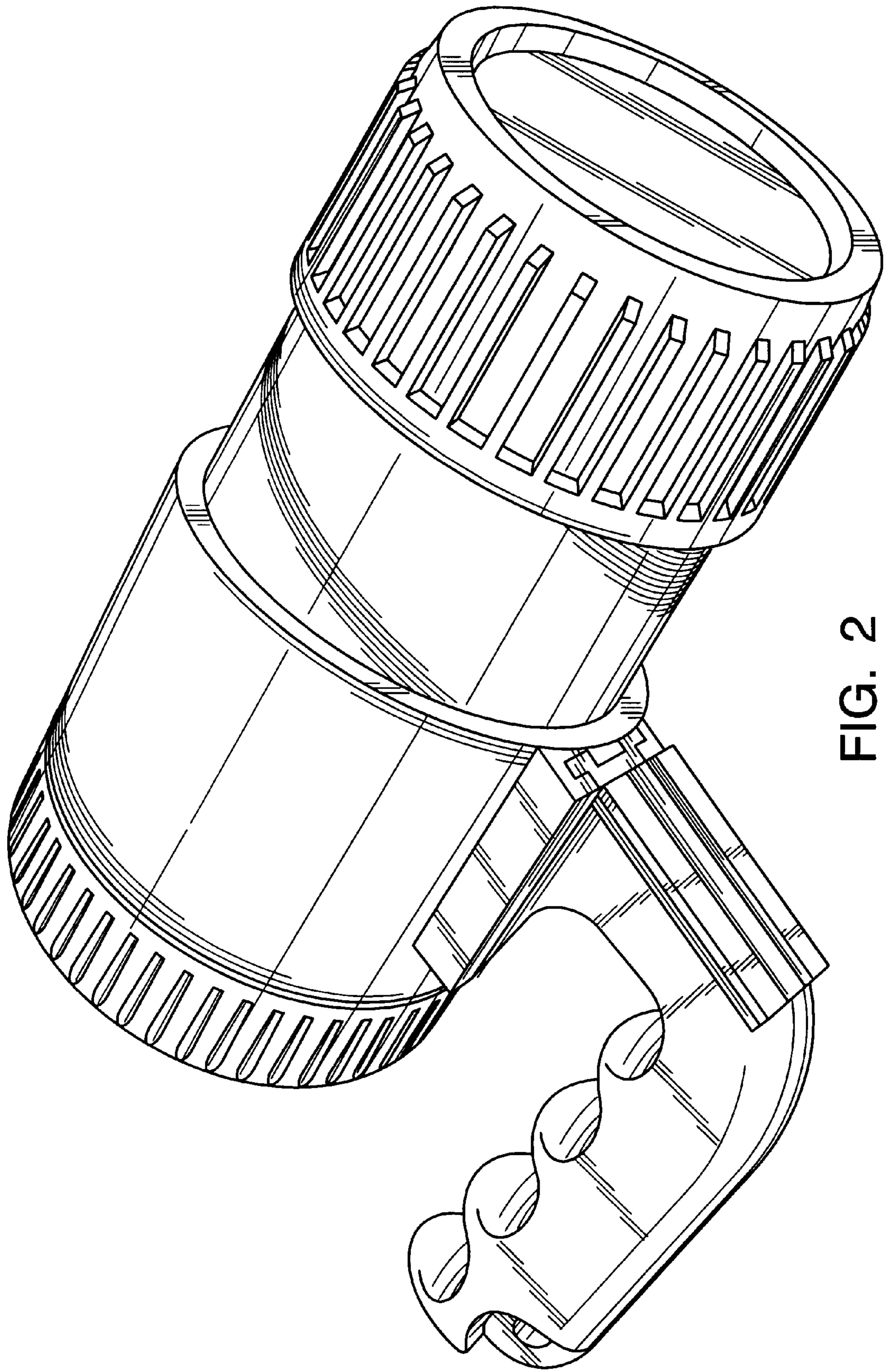


FIG. 2

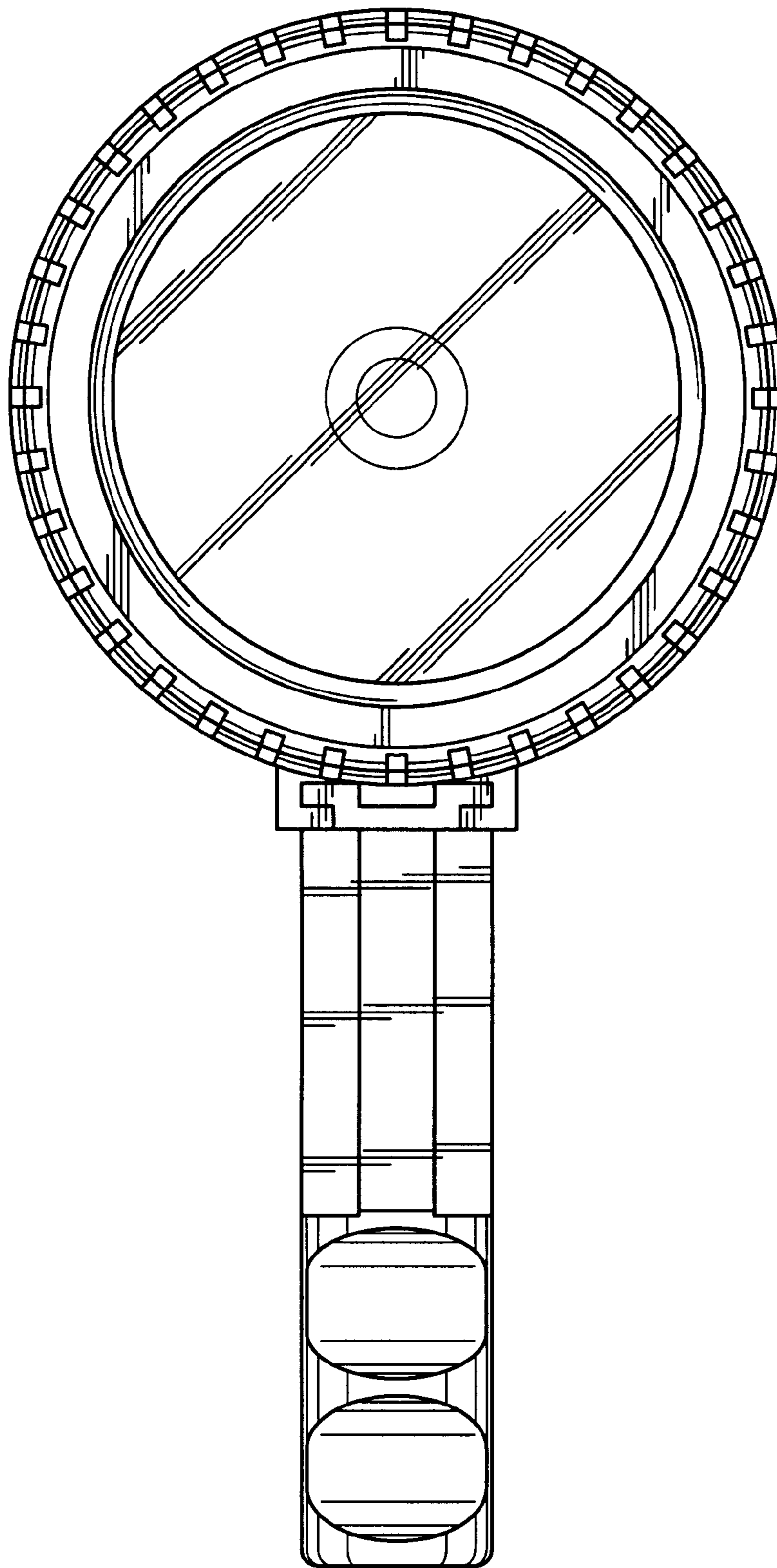


FIG. 3

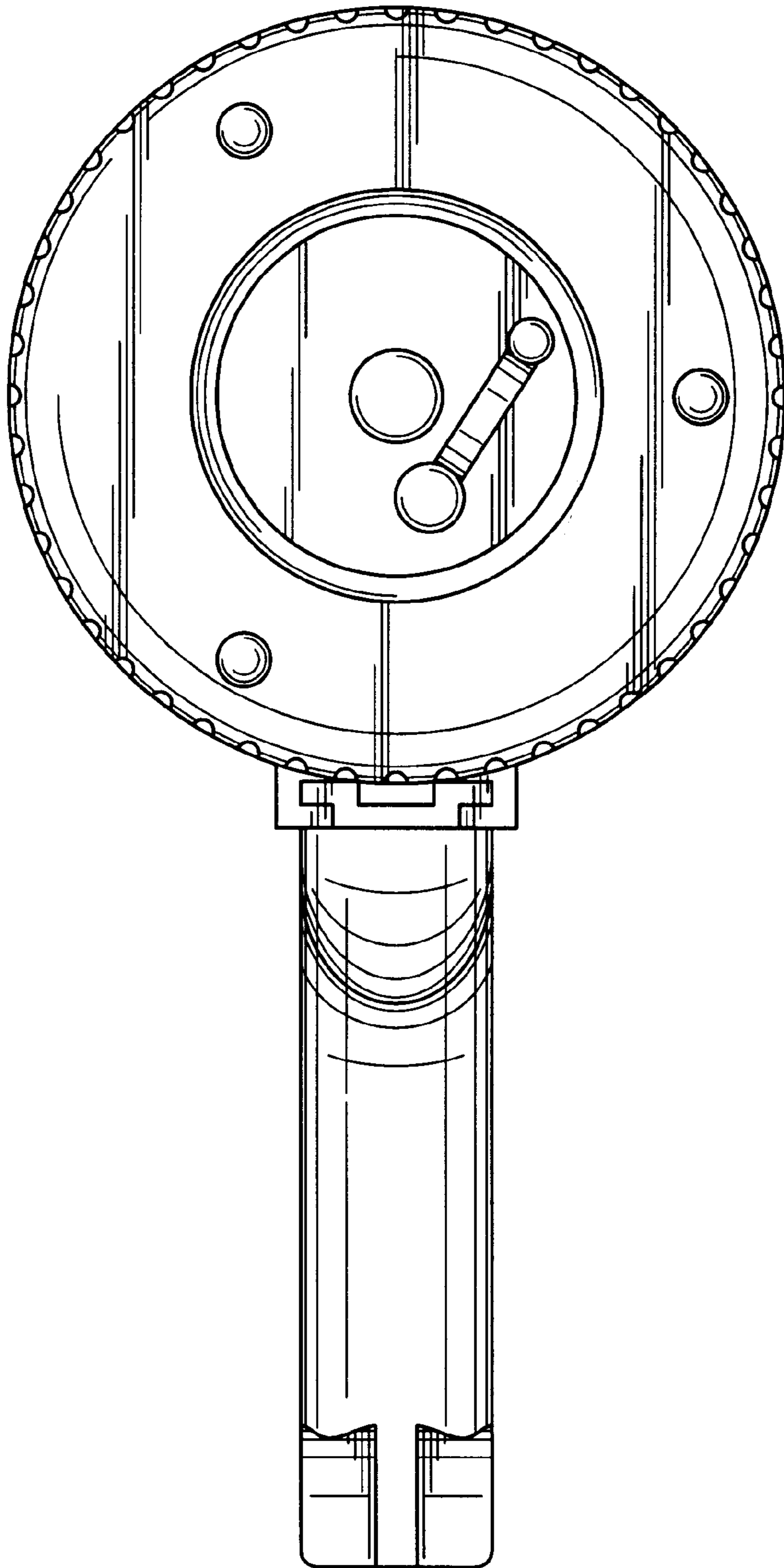


FIG. 4

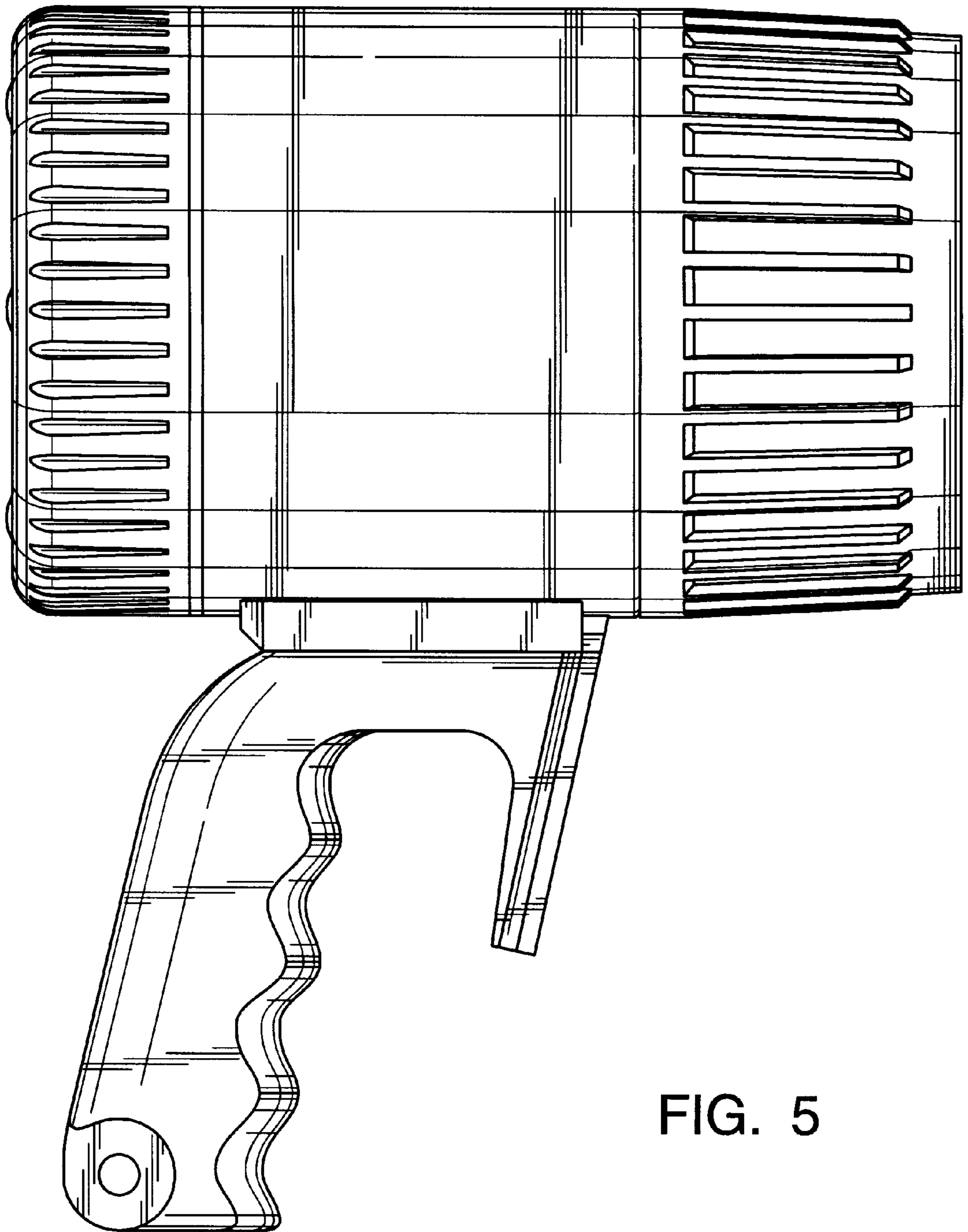


FIG. 5

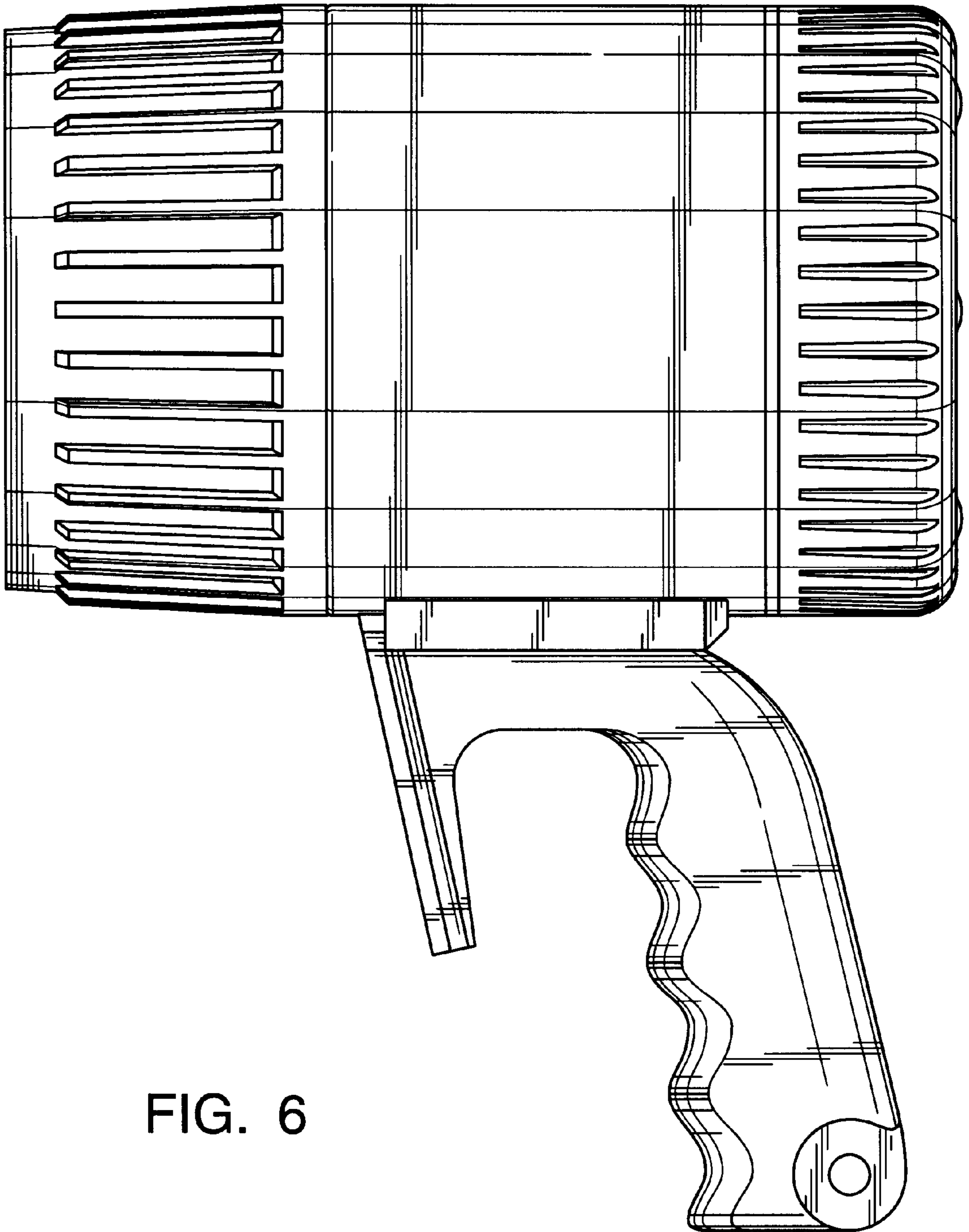


FIG. 6

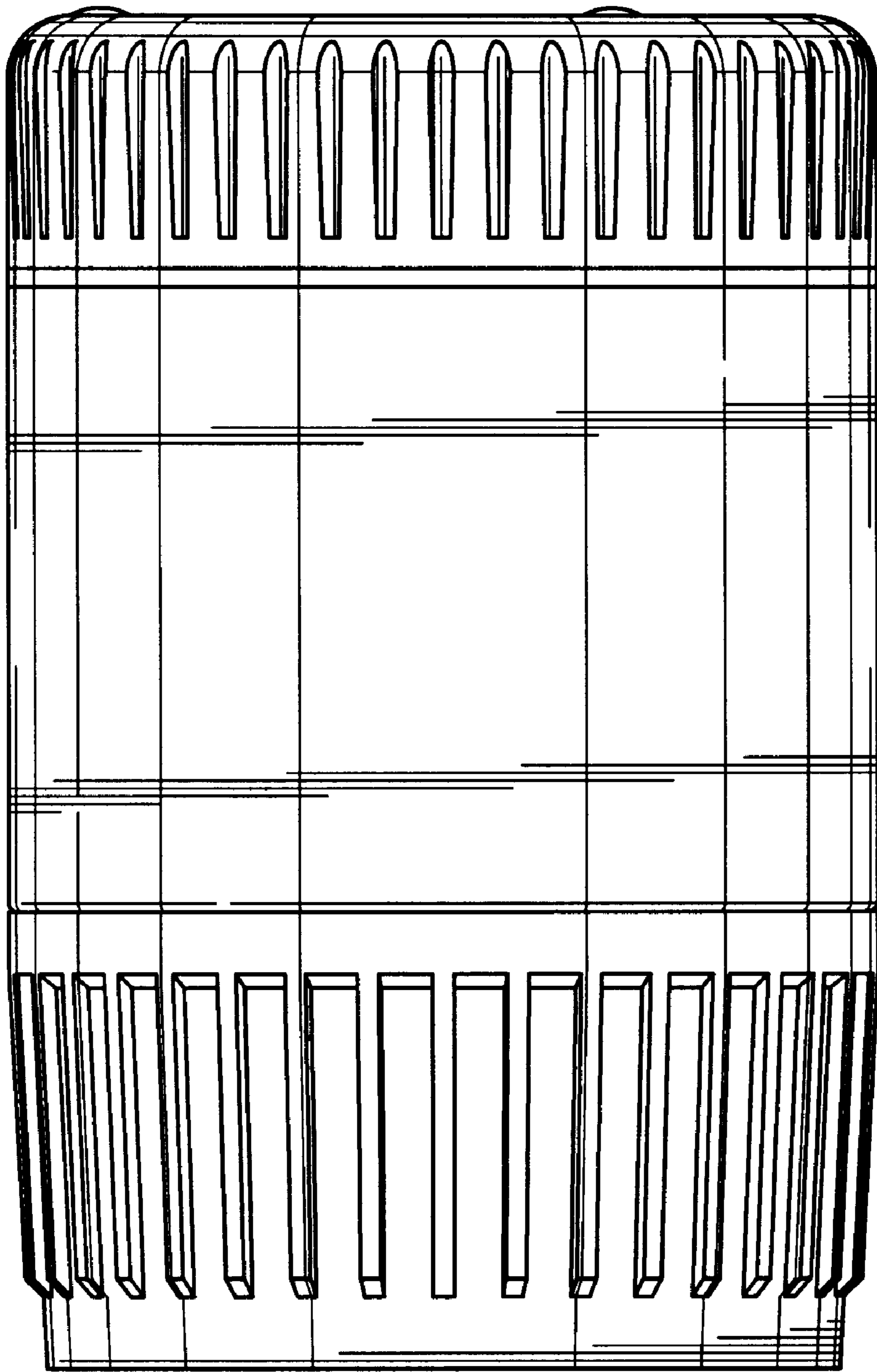


FIG. 7

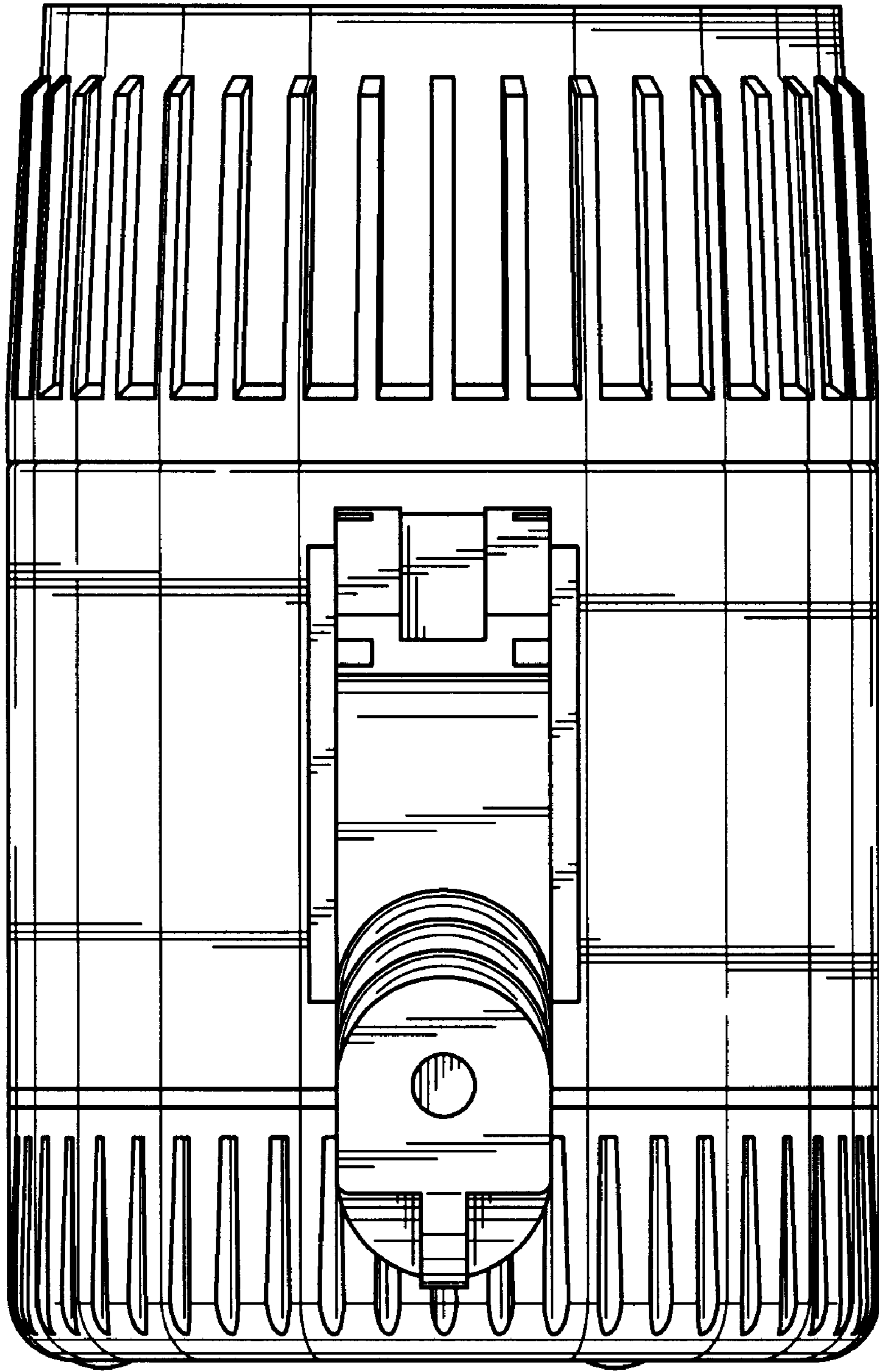


FIG. 8

UNITED STATES PATENT AND TRADEMARK OFFICE
CERTIFICATE OF CORRECTION

PATENT NO. : Des 441,474 S
DATED : May 1, 2001
INVENTOR(S) : Poon

Page 1 of 1

It is certified that error appears in the above-identified patent and that said Letters Patent is hereby corrected as shown below:

Title page,

Item [30] Foreign Application Priority Data
Mar. 3, 2000 (HK) 0010258

Signed and Sealed this

Sixth Day of November, 2001

Attest:

Nicholas P. Godici

Attesting Officer

NICHOLAS P. GODICI
Acting Director of the United States Patent and Trademark Office