



US00D441472S

(12) **United States Design Patent**  
**Torname**

(10) **Patent No.:** **US D441,472 S**

(45) **Date of Patent:** **\*\* May 1, 2001**

(54) **BACKUP LIGHT ARRANGEMENT**

(76) Inventor: **John J. Torname**, 74 Liberty St.,  
Middleton, MA (US) 01941

(\*\*) Term: **14 Years**

(21) Appl. No.: **29/133,198**

(22) Filed: **Nov. 24, 2000**

(51) **LOC (7) Cl.** ..... **26-04**

(52) **U.S. Cl.** ..... **D26/28**

(58) **Field of Search** ..... D26/28-36; 362/61,  
362/80, 80.1, 83, 83.2; 340/468-474

(56) **References Cited**

**U.S. PATENT DOCUMENTS**

D. 290,296	*	6/1987	Caine	.....	D26/31
D. 303,016	*	8/1989	Yuen	.....	D26/29
D. 313,661	*	1/1991	Kang	.....	D26/31
D. 336,145	*	6/1993	Reikslager	.....	D26/29

\* cited by examiner

*Primary Examiner*—Marcus A. Jackson  
(74) *Attorney, Agent, or Firm*—Don Halgren

(57) **CLAIM**

The ornamental design for the backup light arrangement, as shown and described.

**DESCRIPTION**

FIG. 1 is a front elevational view of the backup light arrangement showing my new design;

FIG. 2 is a side elevational view of the left side of the backup light arrangement;

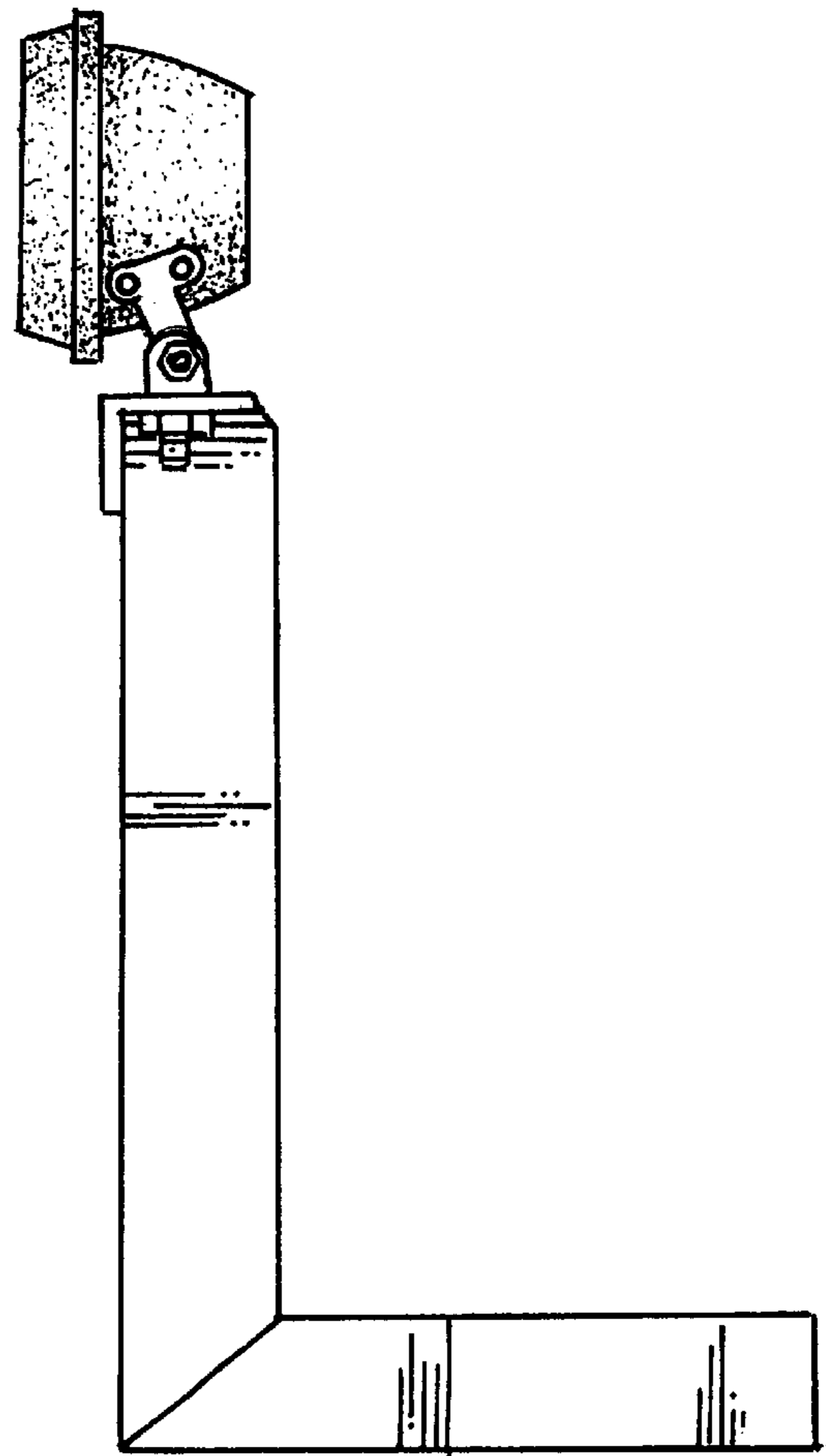
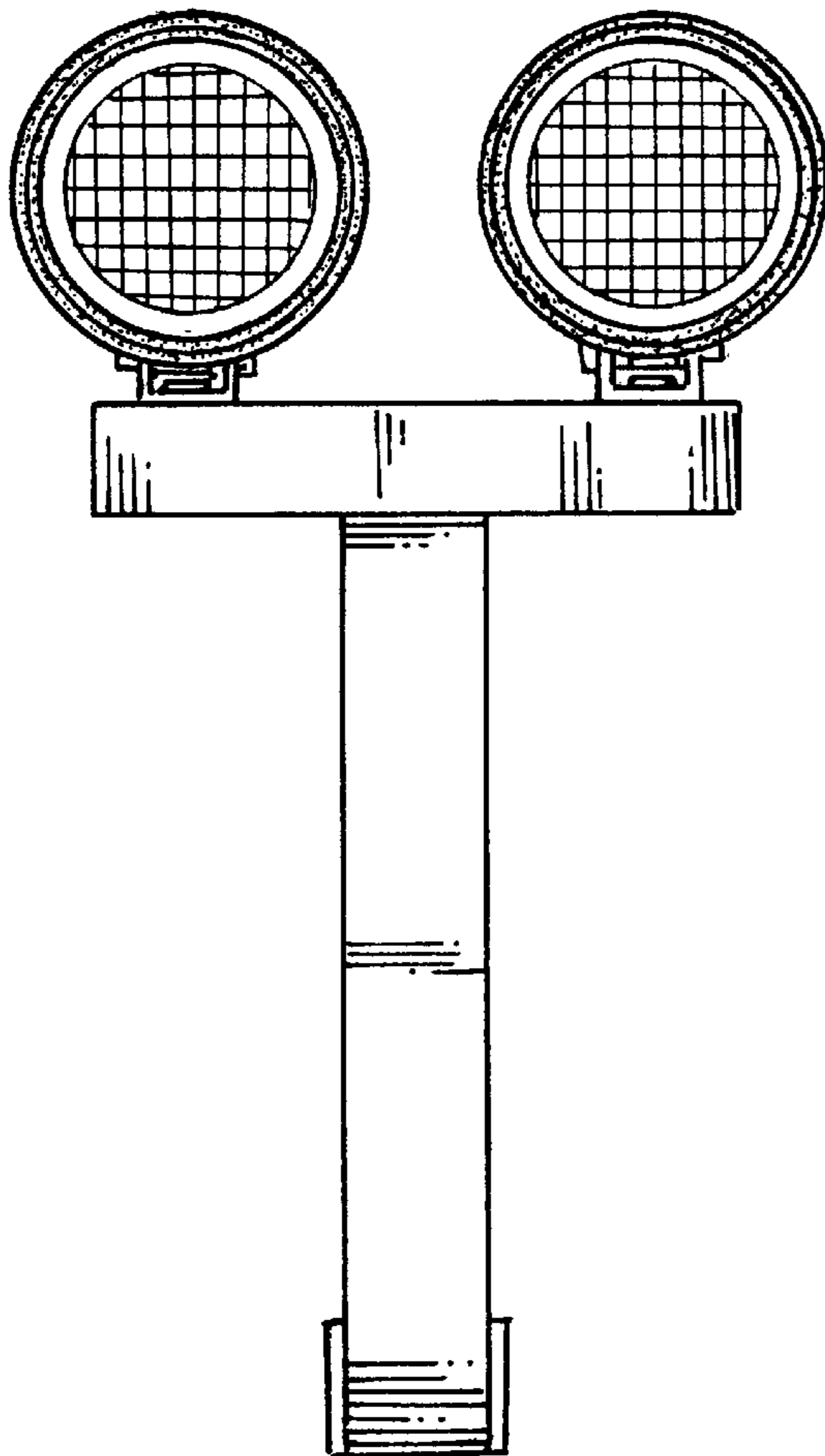
FIG. 3 is a plan view of the backup light arrangement;

FIG. 4 is a side elevational view of the right side of the backup light arrangement;

FIG. 5 is a rear elevational view of the backup light arrangement; and,

FIG. 6 is a plan view of the bottom of the backup light arrangement of my new design.

**1 Claim, 2 Drawing Sheets**



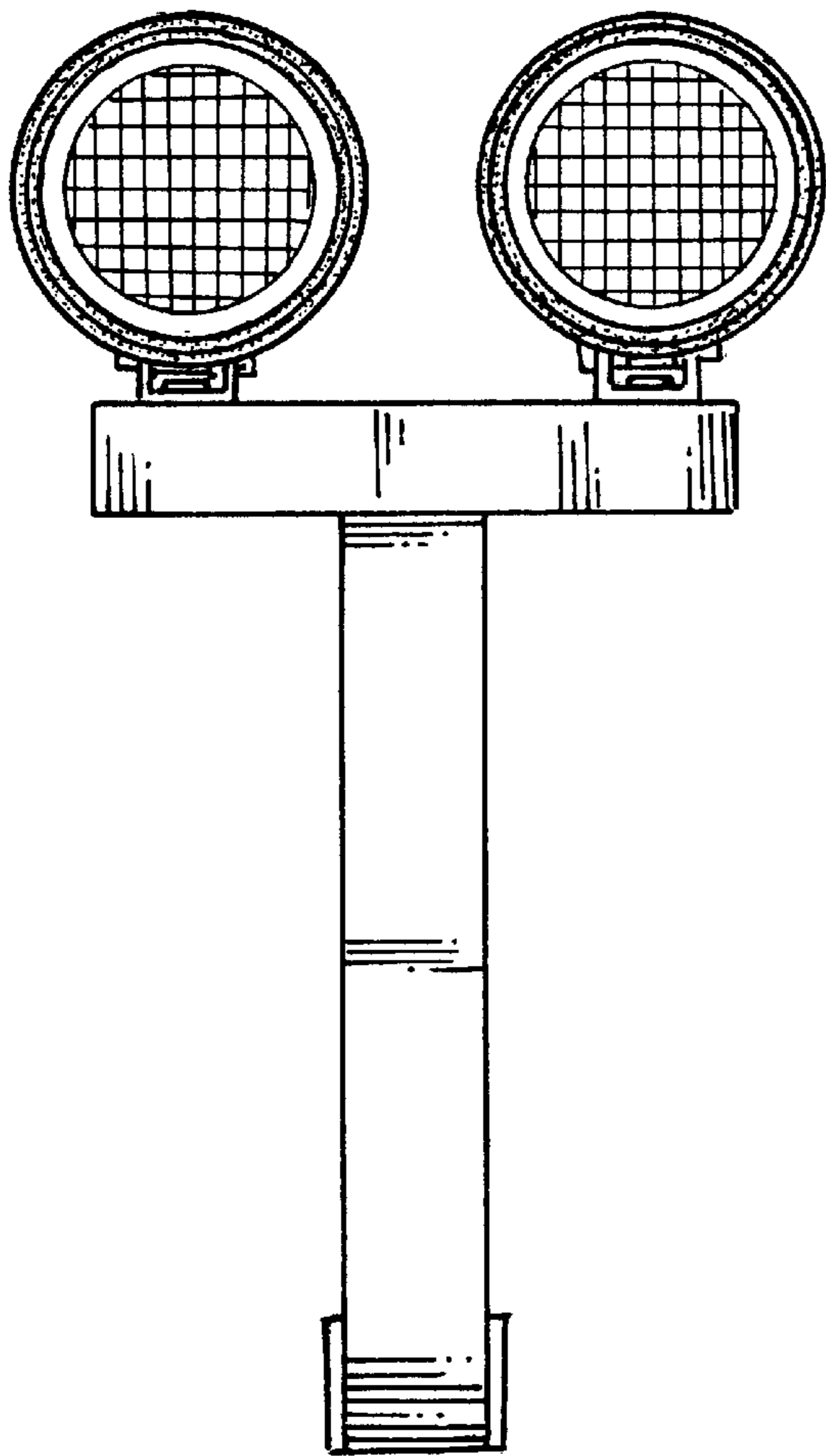


FIG. 1

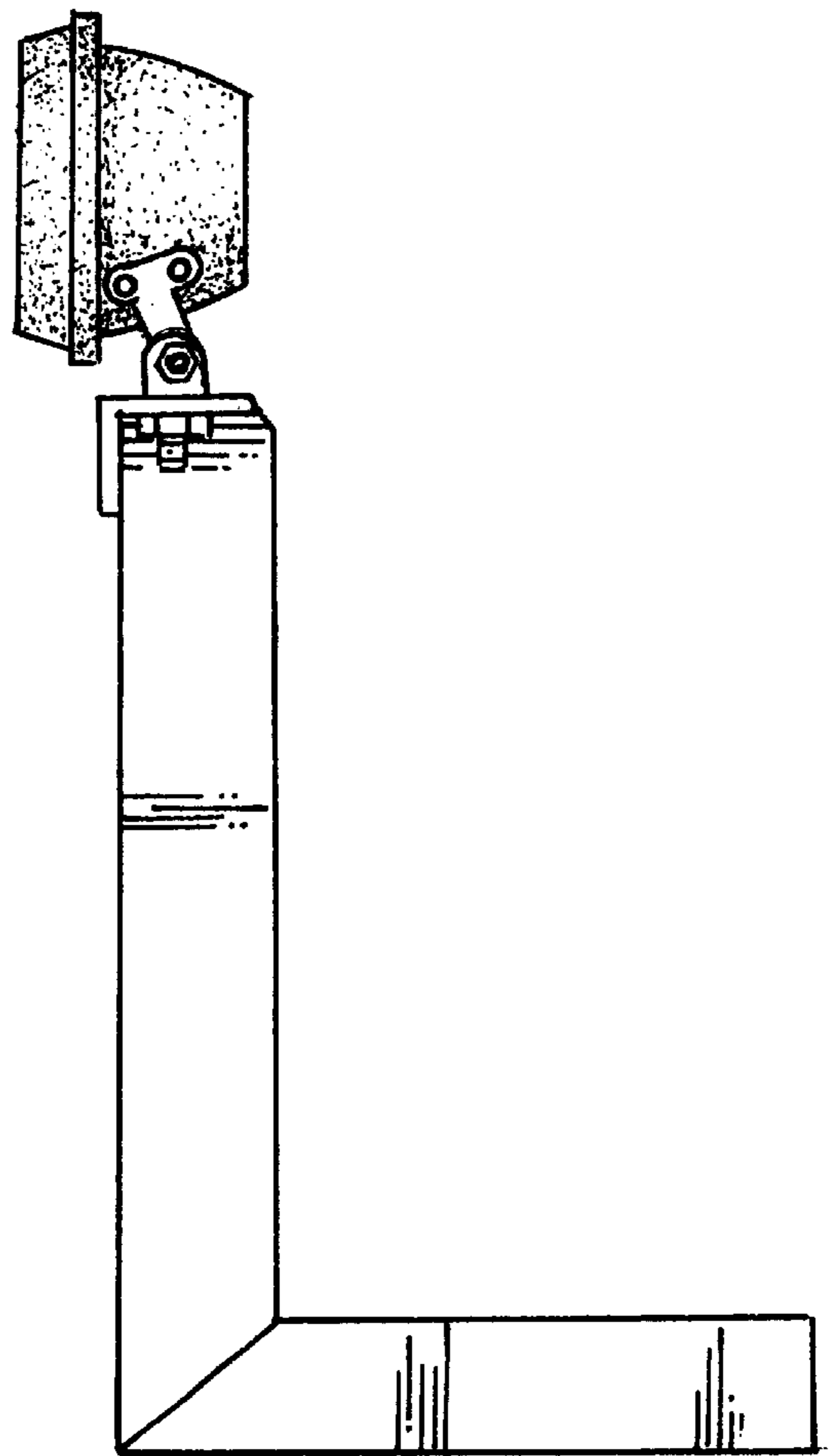


FIG. 2

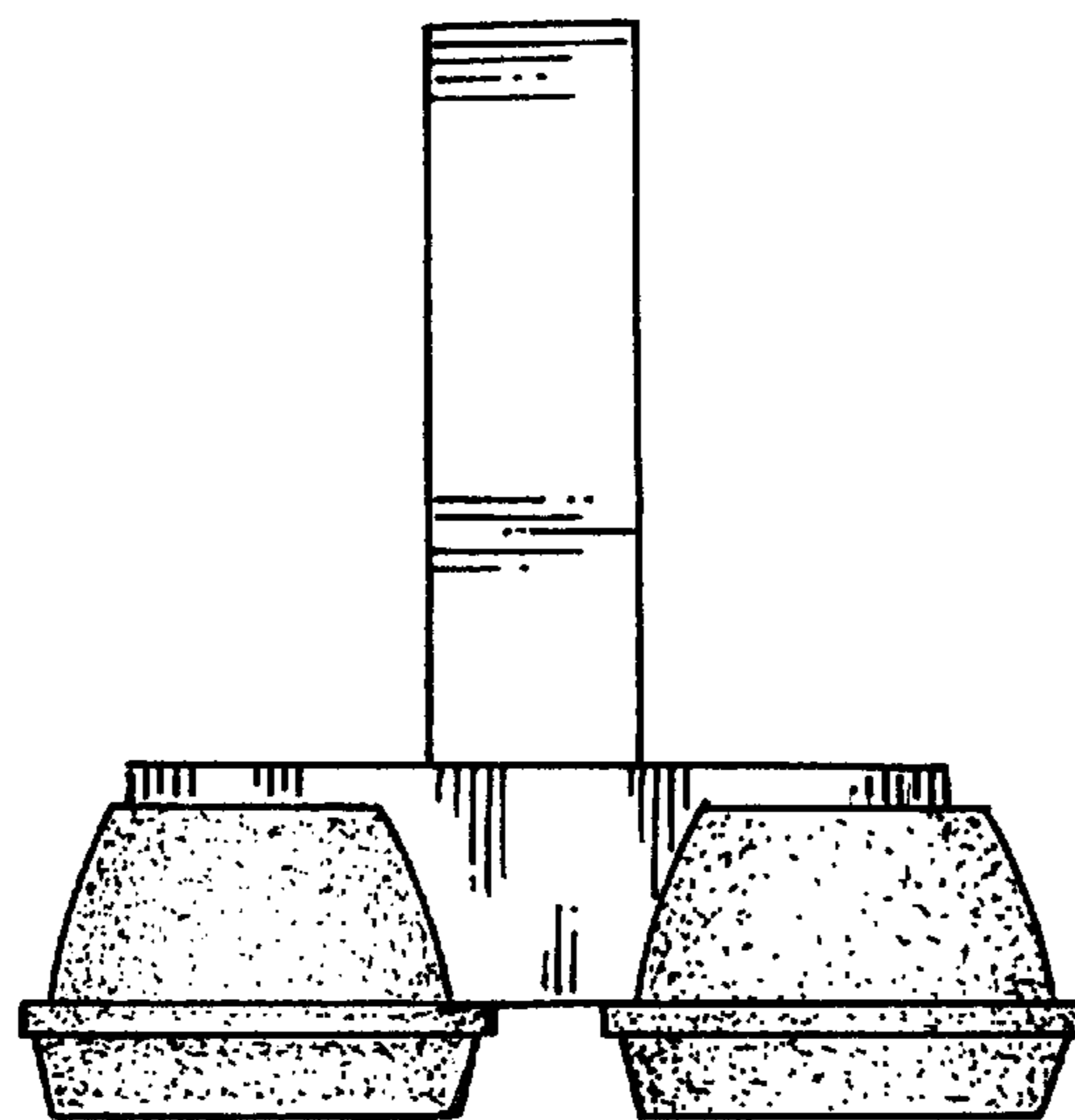


FIG. 3

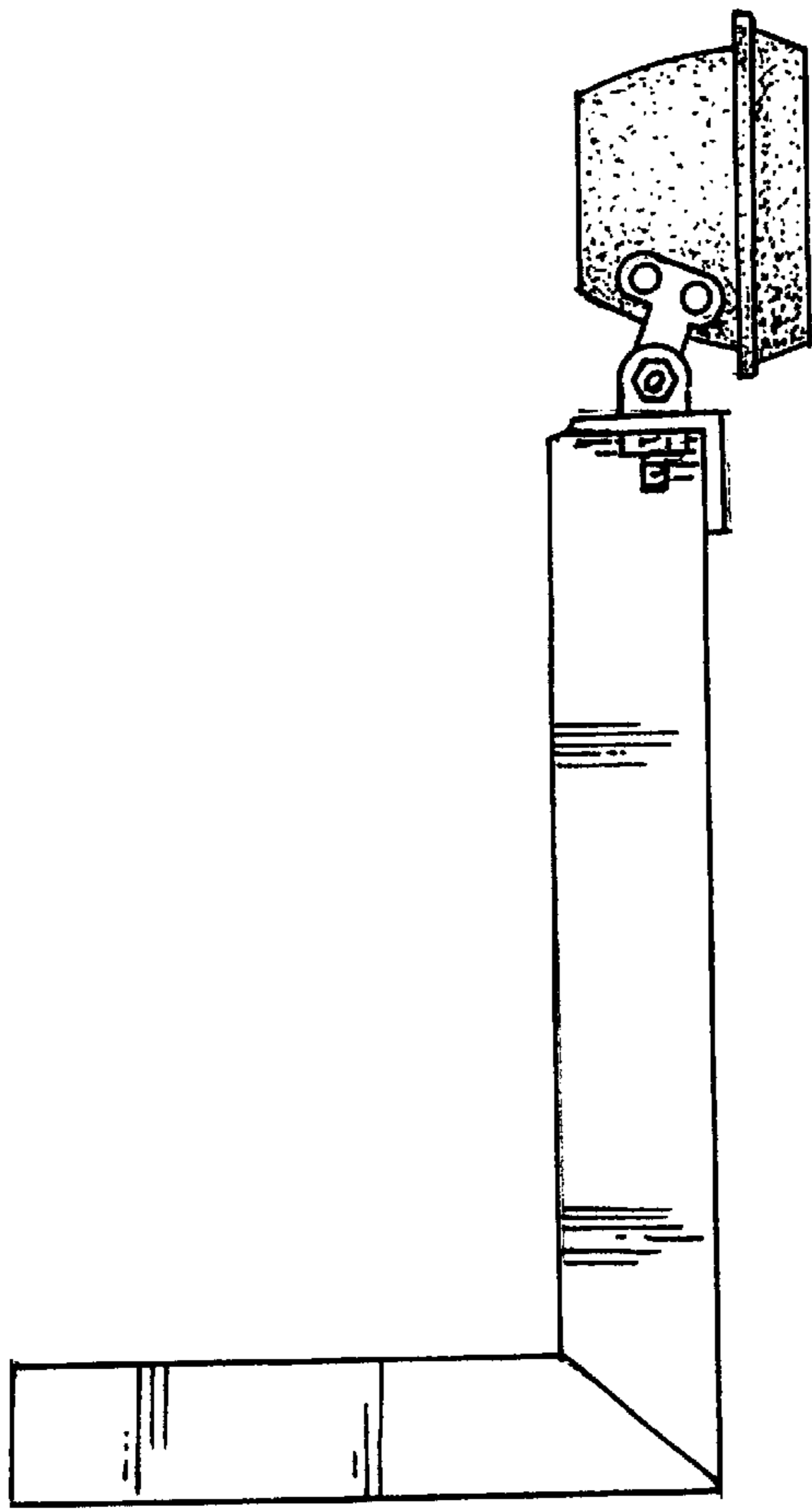


FIG. 4

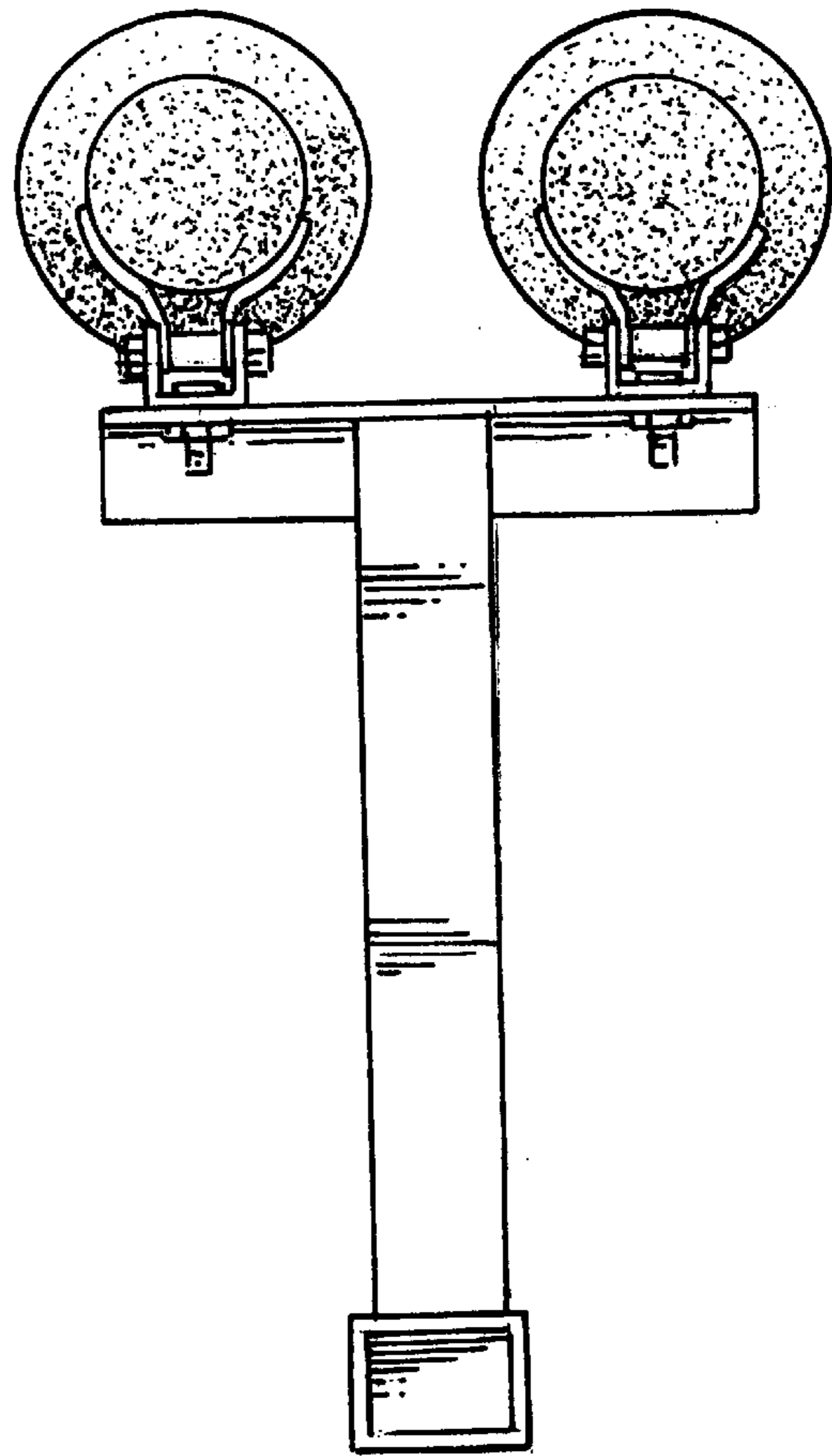


FIG. 5

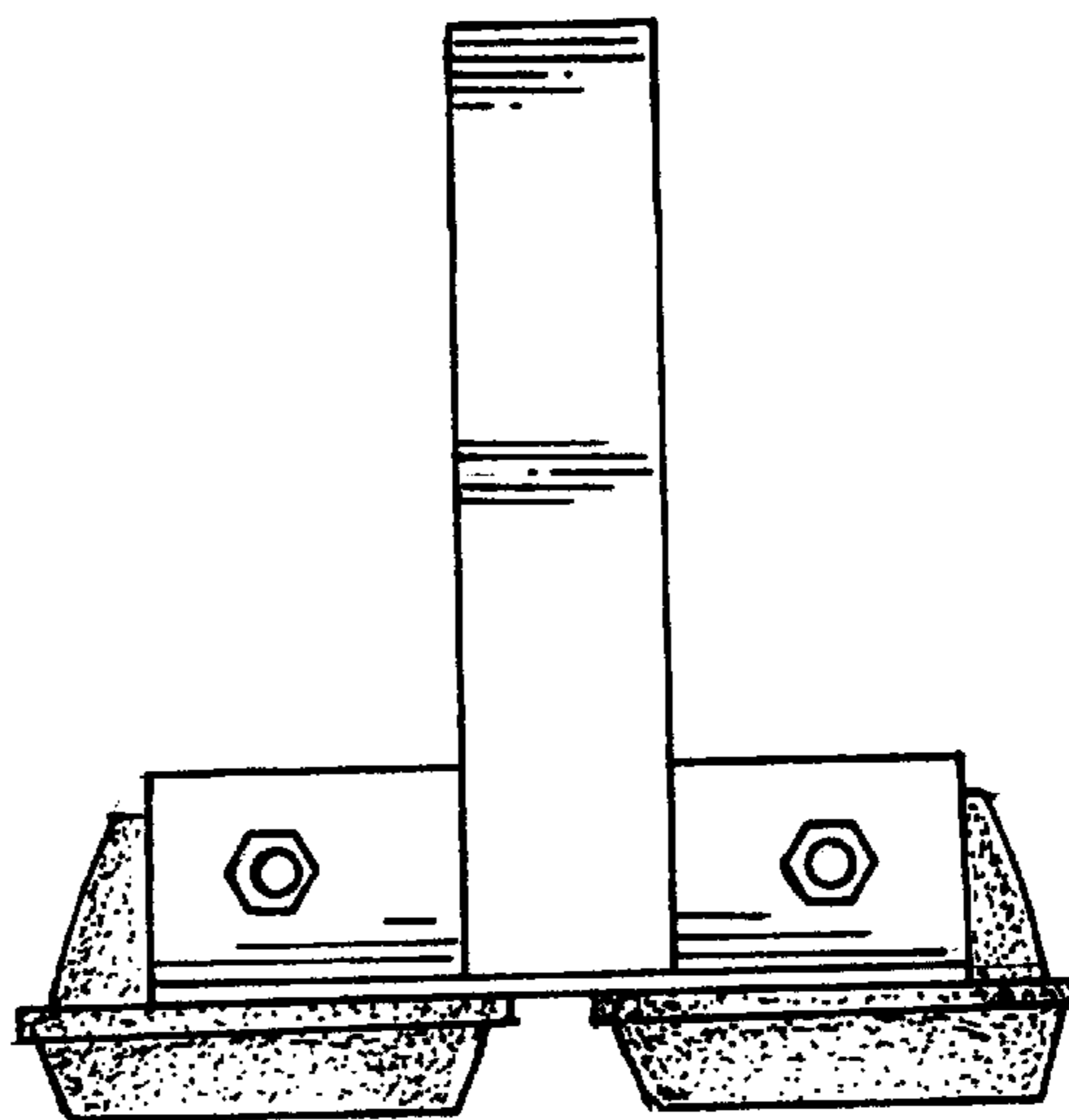


FIG. 6