



US00D441470S

(12) **United States Design Patent**
Poon

(10) **Patent No.:** **US D441,470 S**

(45) **Date of Patent:** **** May 1, 2001**

(54) **HEADLIGHT**

(75) Inventor: **Tit Wing Poon**, Shatin (CN)

(73) Assignee: **Flying Dragon Development Ltd.**,
Hong Kong (CN)

(**) Term: **14 Years**

(21) Appl. No.: **29/128,646**

(22) Filed: **Aug. 29, 2000**

(30) **Foreign Application Priority Data**

Apr. 7, 2000 (HK) 0010414

(51) **LOC (7) Cl.** **26-04**

(52) **U.S. Cl.** **D26/28**

(58) **Field of Search** D26/28-36; 362/72,
362/157, 158, 183-208

(56) **References Cited**

U.S. PATENT DOCUMENTS

D. 383,227 * 9/1997 Nagano D26/28

D. 415,297 * 10/1999 Chung D26/28

D. 415,584 * 10/1999 Anwyl-Davies D26/28

* cited by examiner

Primary Examiner—Marcus A. Jackson

(74) *Attorney, Agent, or Firm*—Alix, Yale & Ristas, LLP

(57) **CLAIM**

The ornamental design for a headlight, as shown and described.

DESCRIPTION

FIG. 1 is a front perspective view of the headlight showing my new design;

FIG. 2 is a front view of the headlight of FIG. 1;

FIG. 3 is a rear view of the headlight of FIG. 1;

FIG. 4 is a left side view of the headlight of FIG. 1;

FIG. 5 is a right side view of the headlight of FIG. 1;

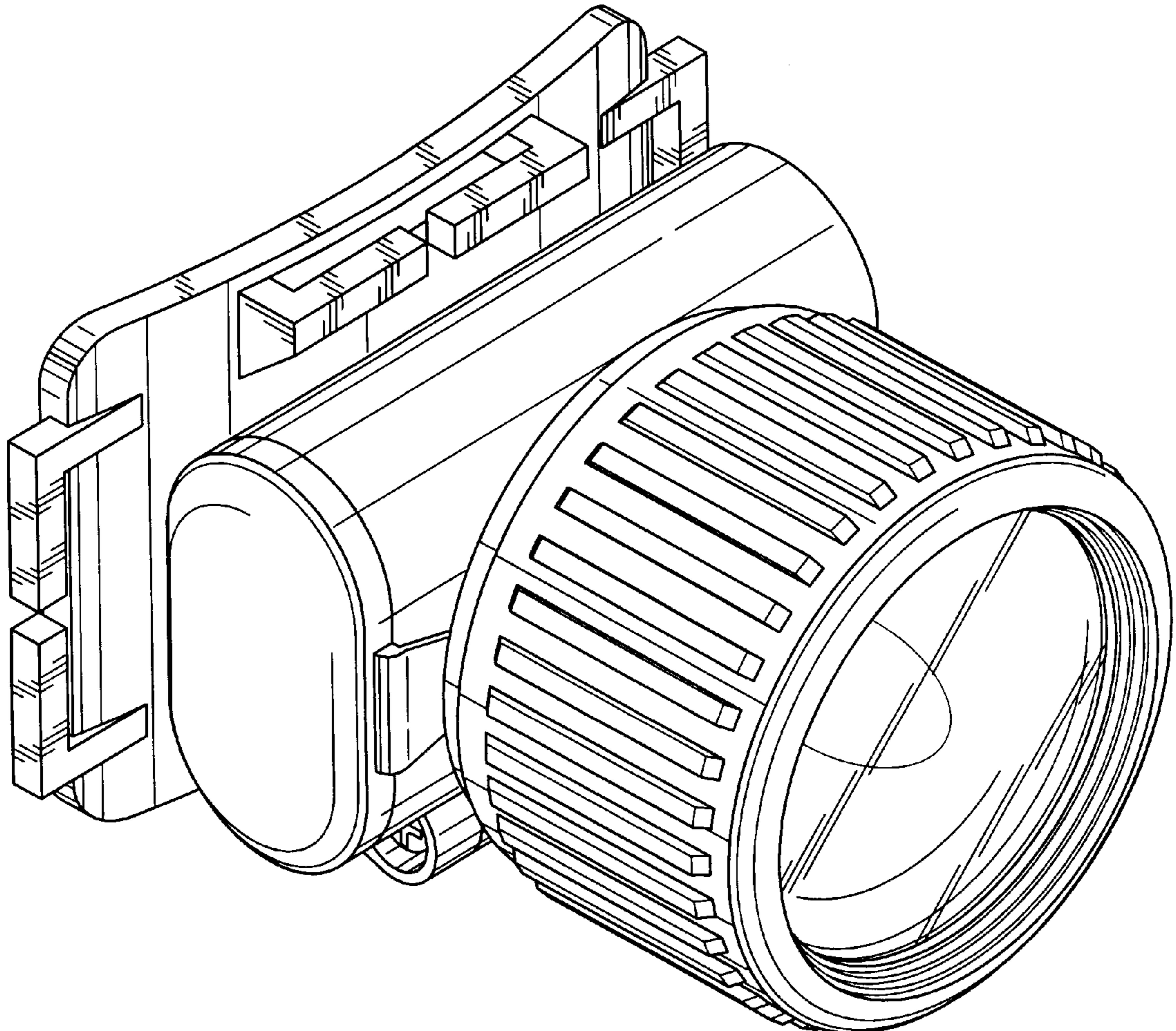
FIG. 6 is a top plan view of the headlight of FIG. 1;

FIG. 7 is a bottom plan view of the headlight of FIG. 1;

FIG. 8 is a left side view of the headlight of FIG. 1 wherein the headlight is in the extended position; and,

FIG. 9 is a rear view of the headlight of FIG. 1 wherein the headlight is in the extended position.

1 Claim, 5 Drawing Sheets



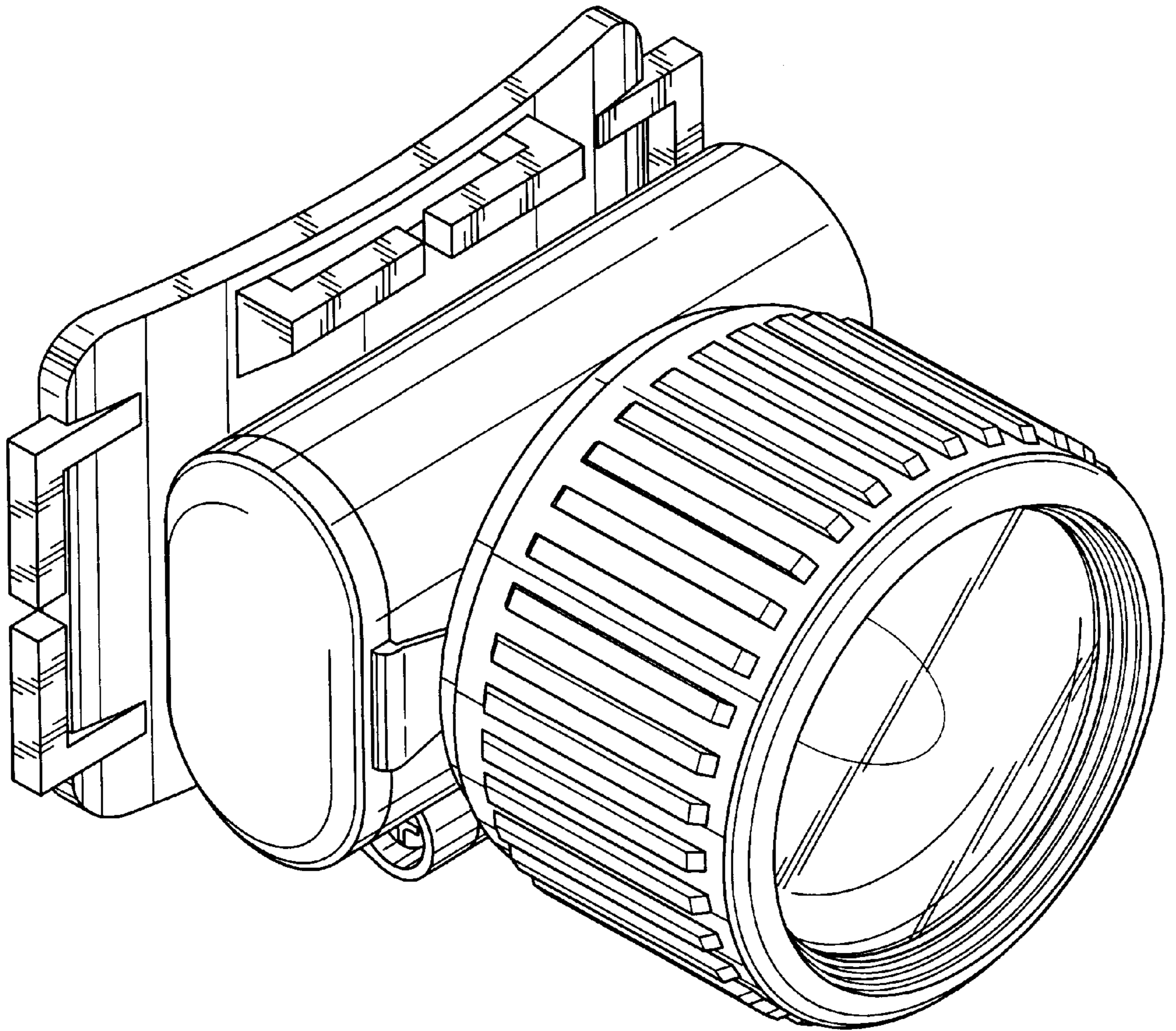


FIG. 1

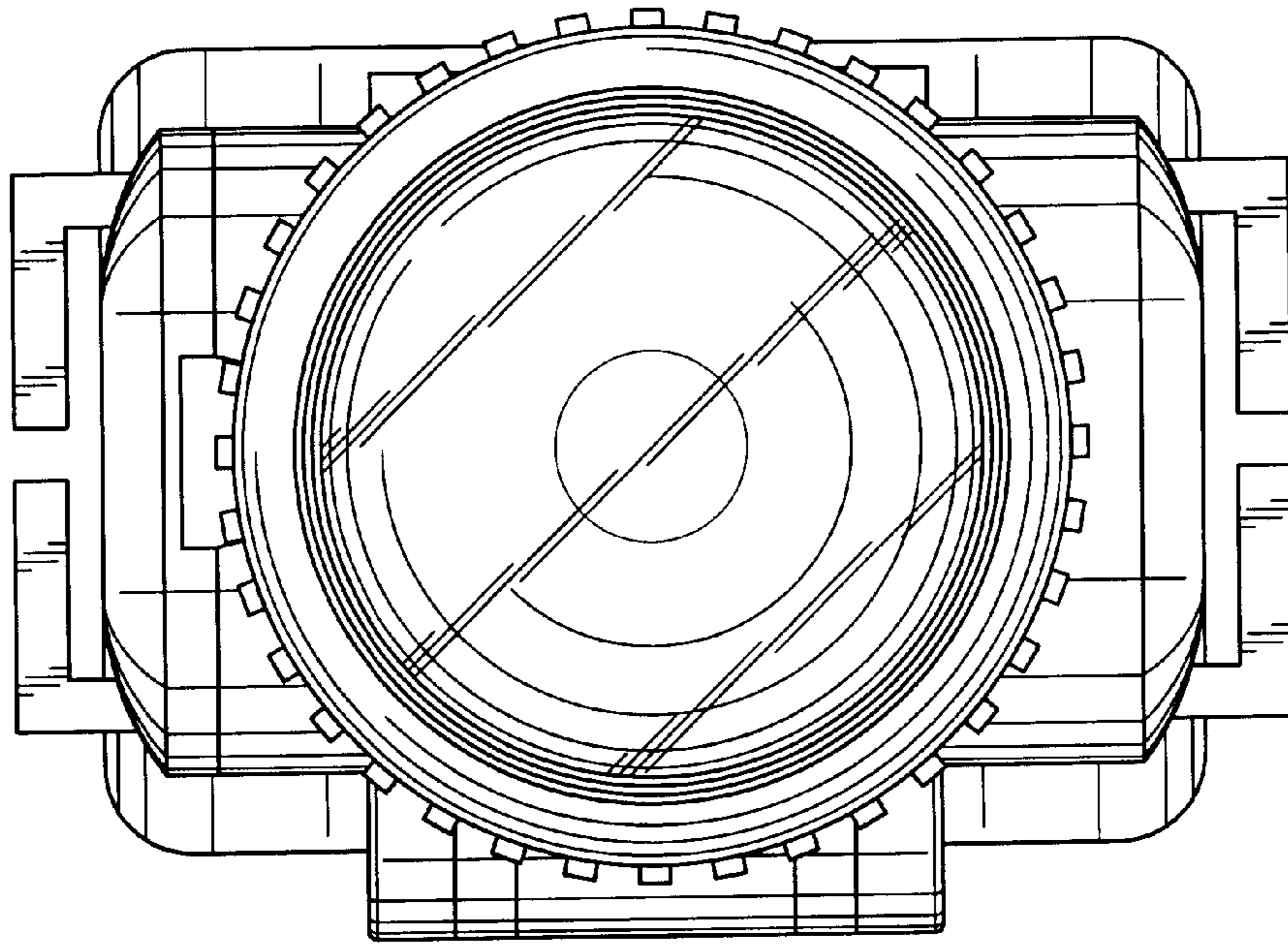


FIG. 2

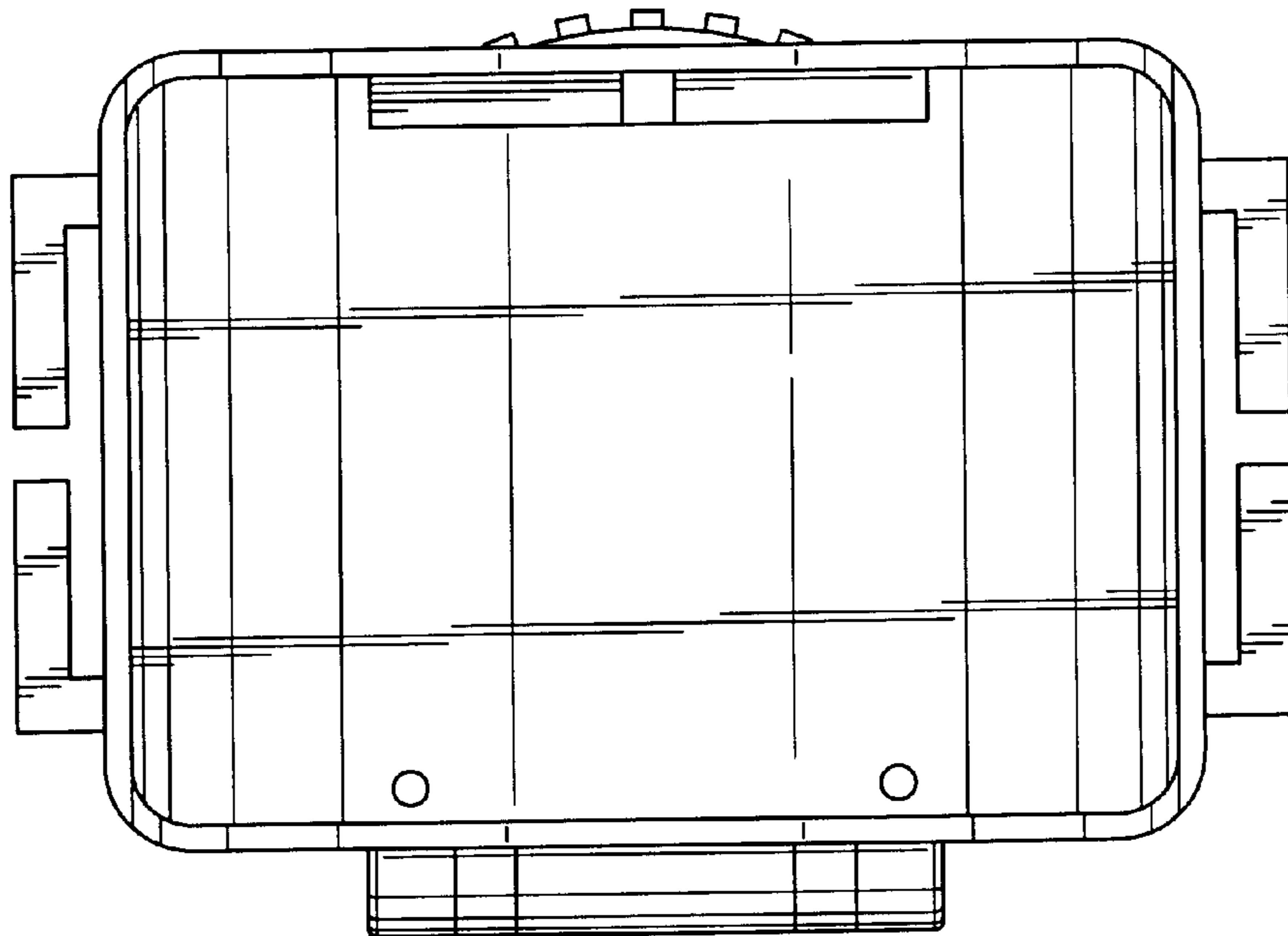


FIG. 3

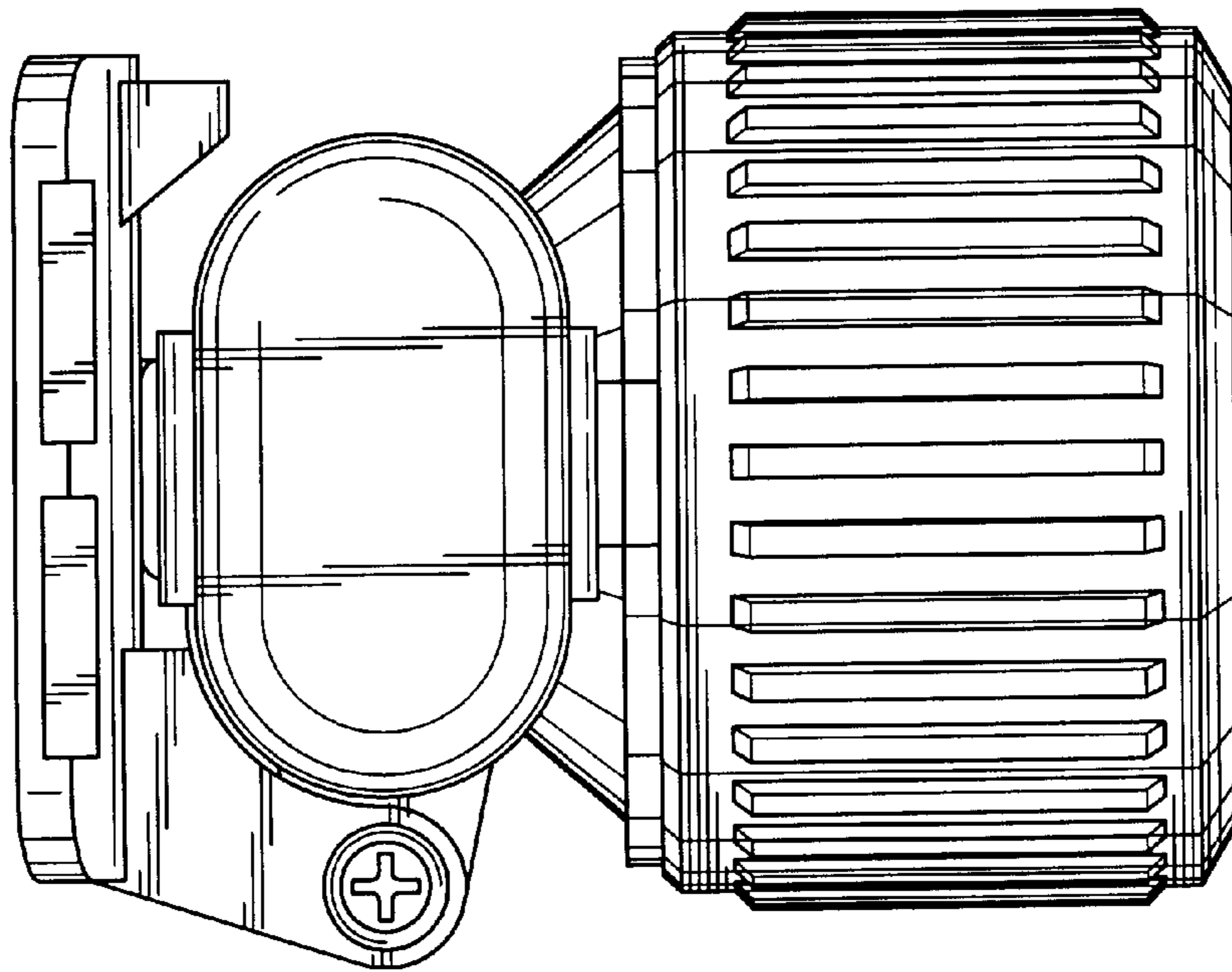


FIG. 4

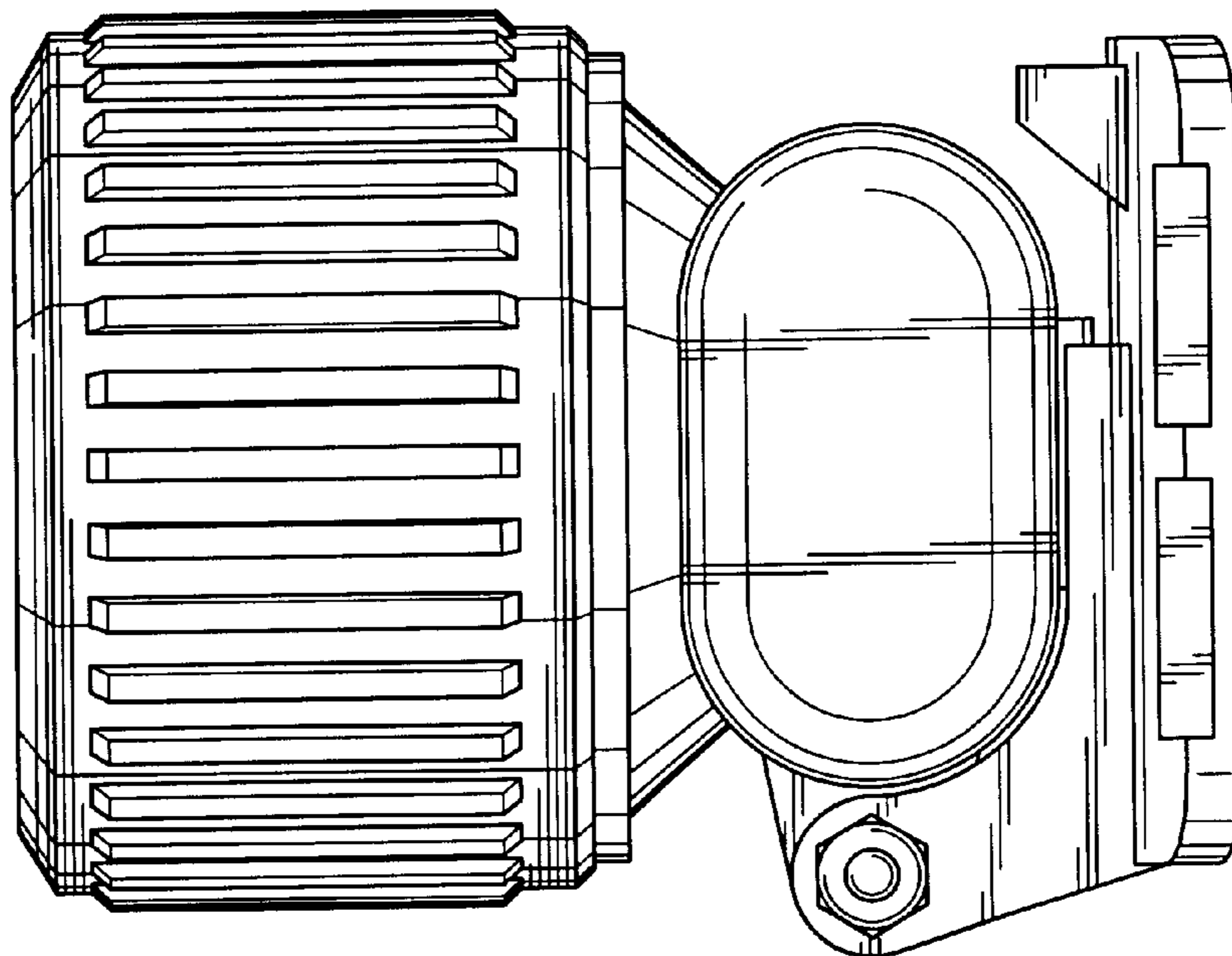


FIG. 5

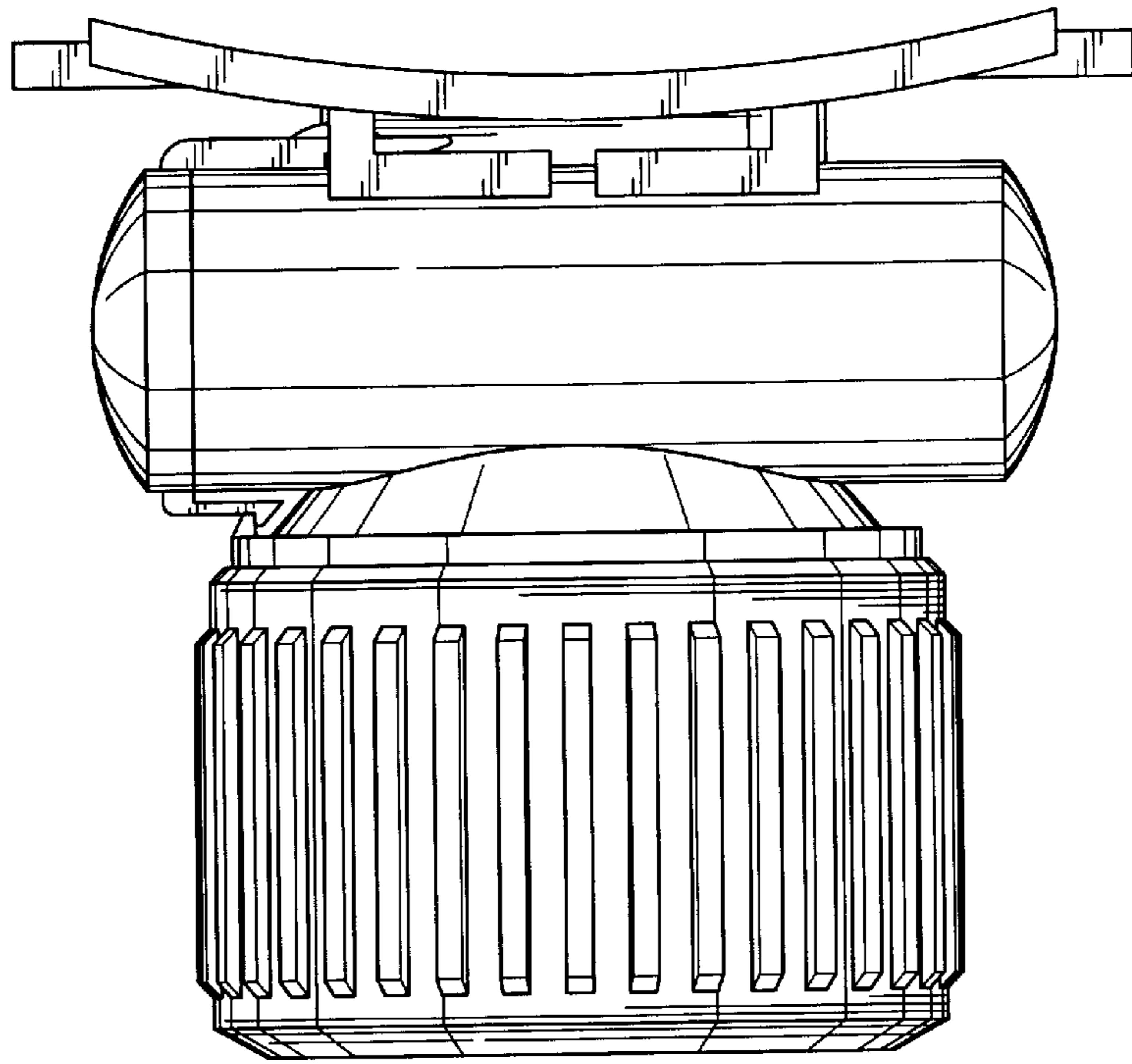


FIG. 6

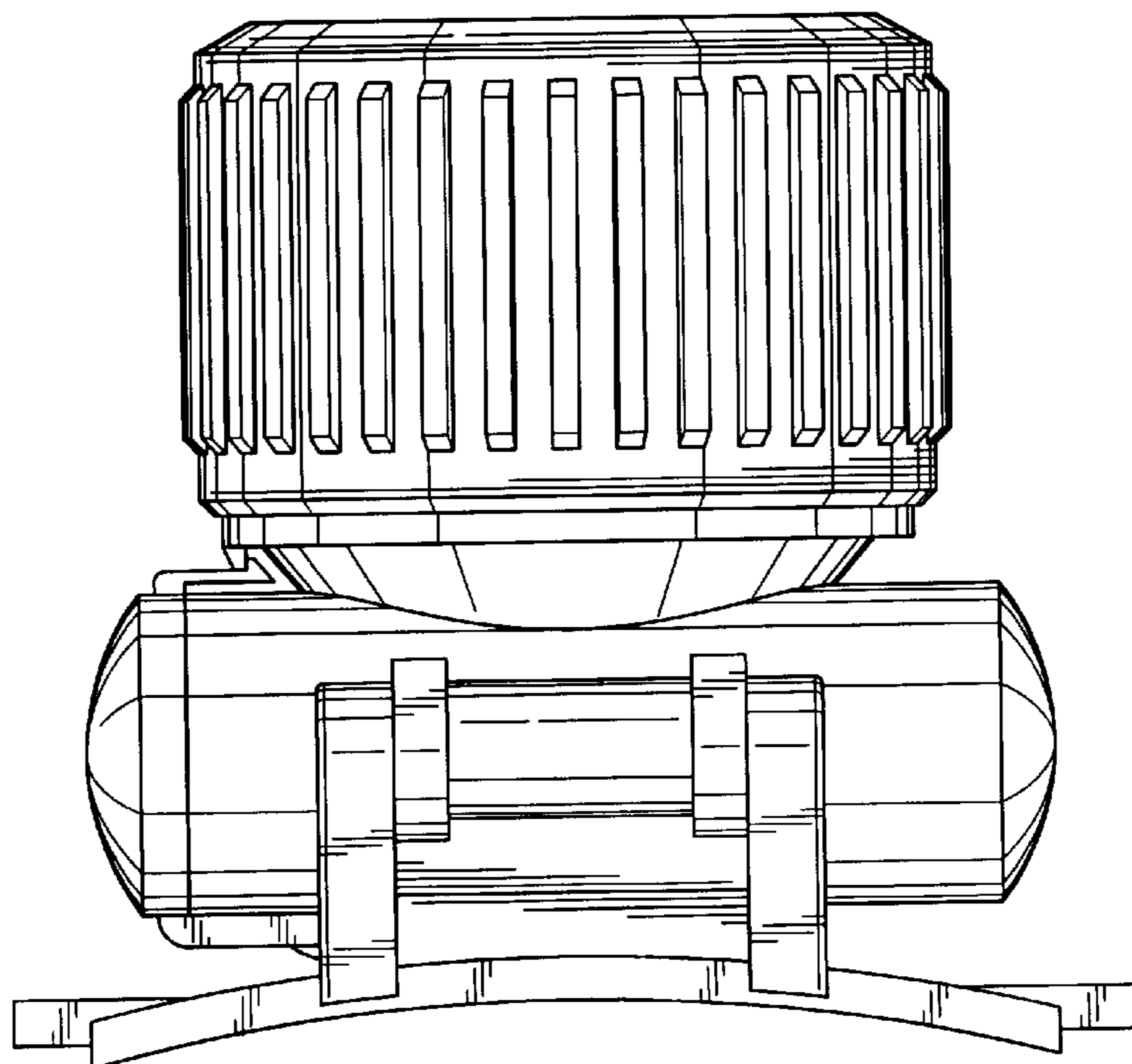


FIG. 7

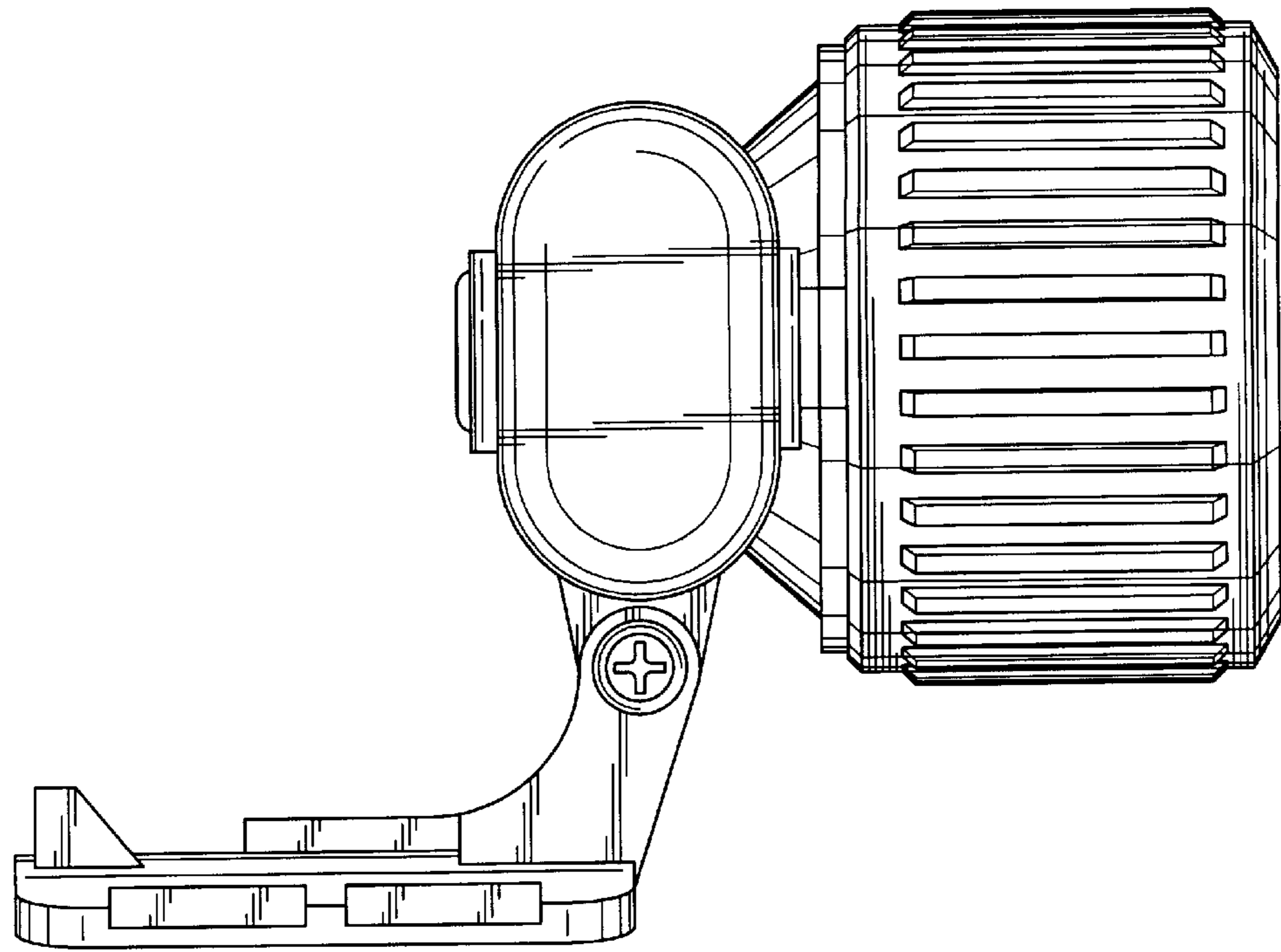


FIG. 8

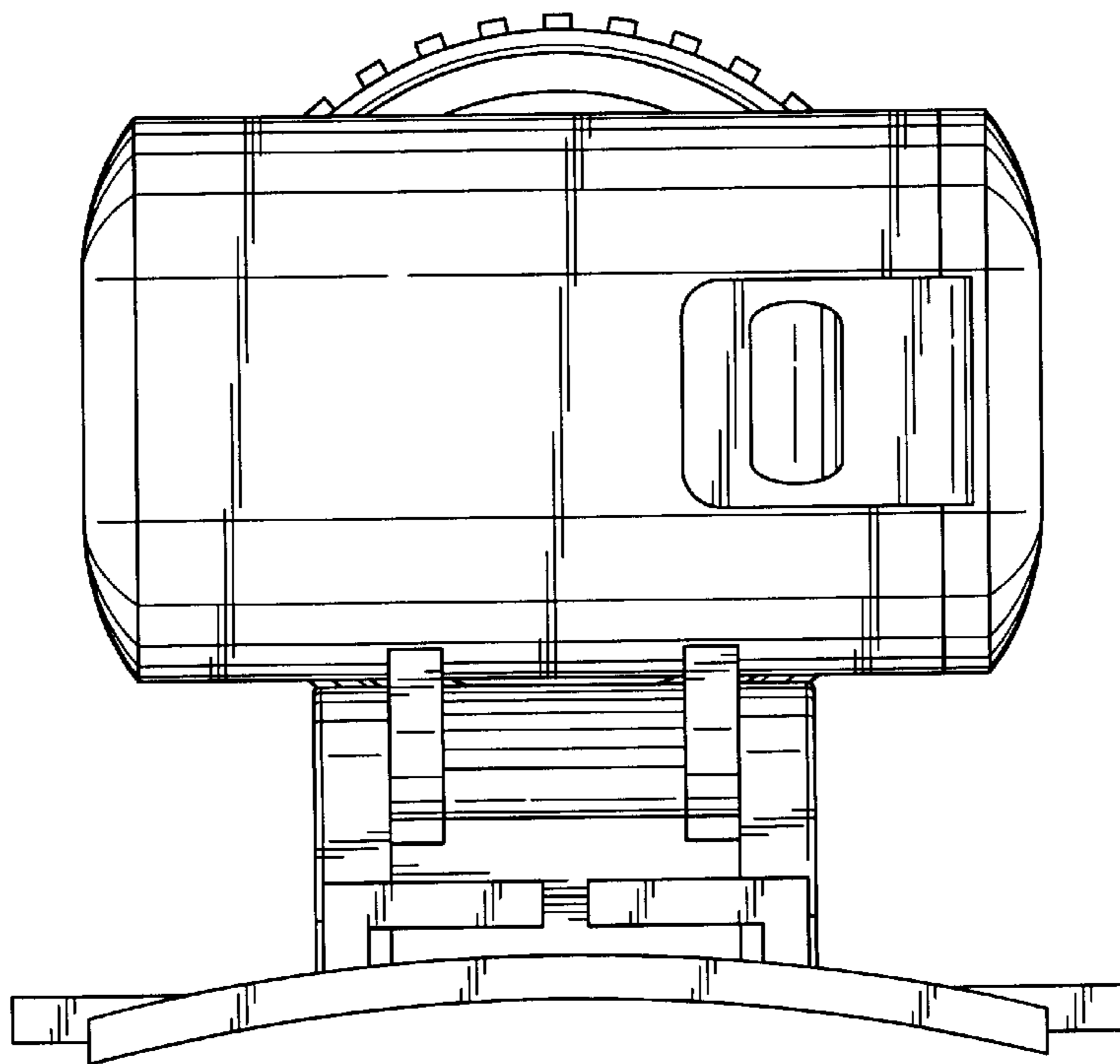


FIG. 9