



US00D441462S

(12) **United States Design Patent**
Peters

(10) **Patent No.:** **US D441,462 S**

(45) **Date of Patent:** **** May 1, 2001**

(54) **LADDER SUPPORT**

(76) Inventor: **Terry L. Peters**, 10079 Mustang Cir.,
Keithville, LA (US) 71047

(**) Term: **14 Years**

(21) Appl. No.: **29/129,867**

(22) Filed: **Sep. 25, 2000**

(51) **LOC (7) Cl.** **25-04**

(52) **U.S. Cl.** **D25/68**

(58) **Field of Search** D25/62, 68; 182/107,
182/108, 109, 111

(56) **References Cited**

U.S. PATENT DOCUMENTS

D. 359,366	*	6/1995	Spevak	D25/68
5,078,231	*	1/1992	Davis	182/107
5,417,302	*	5/1995	McElfresh	182/108

* cited by examiner

Primary Examiner—Doris Clark

(74) *Attorney, Agent, or Firm*—John M Harrison

(57) **CLAIM**

The ornamental design for a “ladder support”, as shown and described.

DESCRIPTION

FIG. 1 is a top perspective view of the ladder support, showing my new design;

FIG. 2 is a bottom perspective view of the ladder support;

FIG. 3 is a top plan view thereof;

FIG. 4 is a left side elevational view thereof;

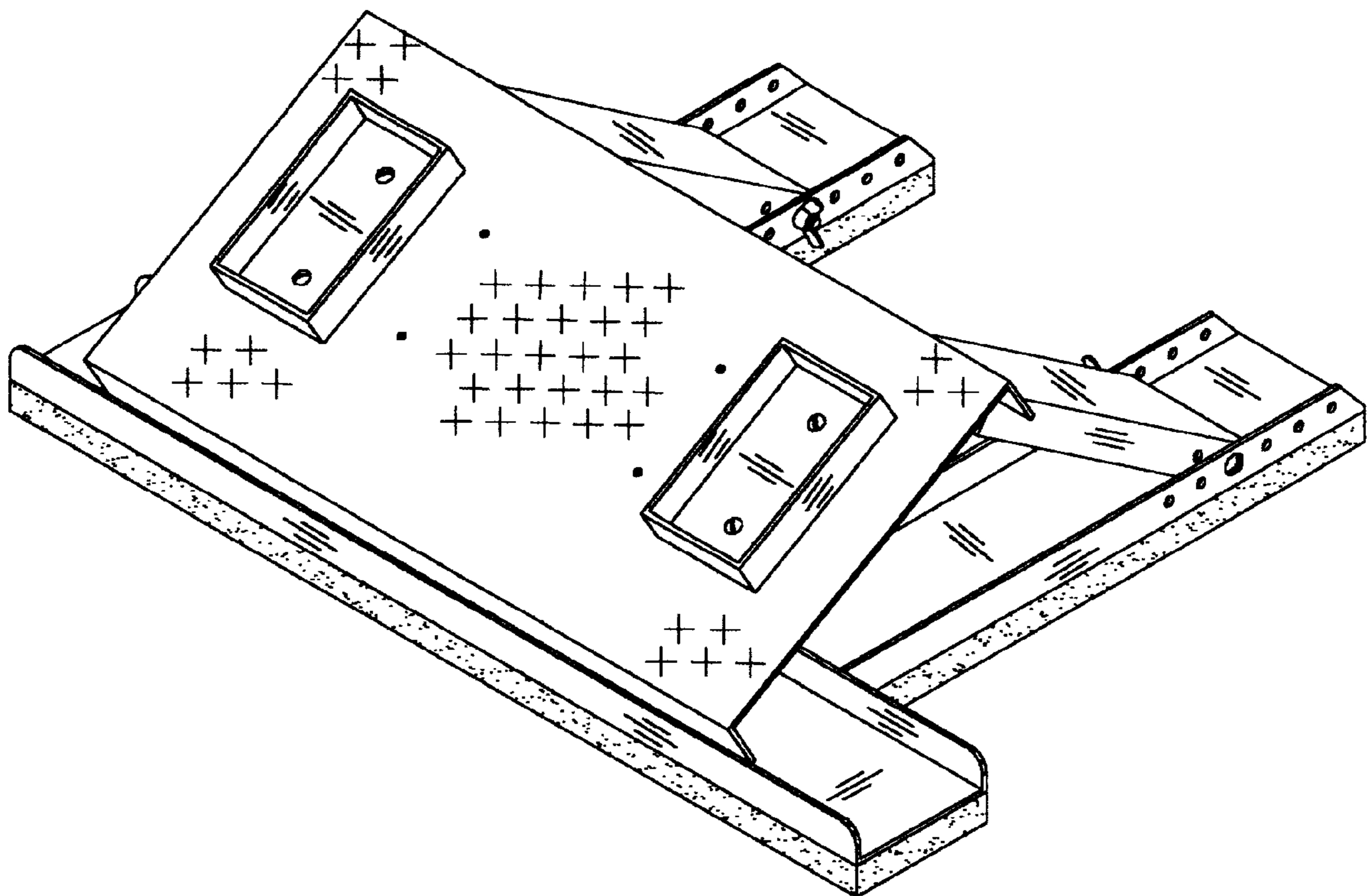
FIG. 5 is a right side elevational view thereof;

FIG. 6 is a bottom plan view thereof;

FIG. 7 is a front elevational view thereof; and,

FIG. 8 is a rear elevational view of the ladder support illustrated in FIGS. 1–7.

1 Claim, 3 Drawing Sheets



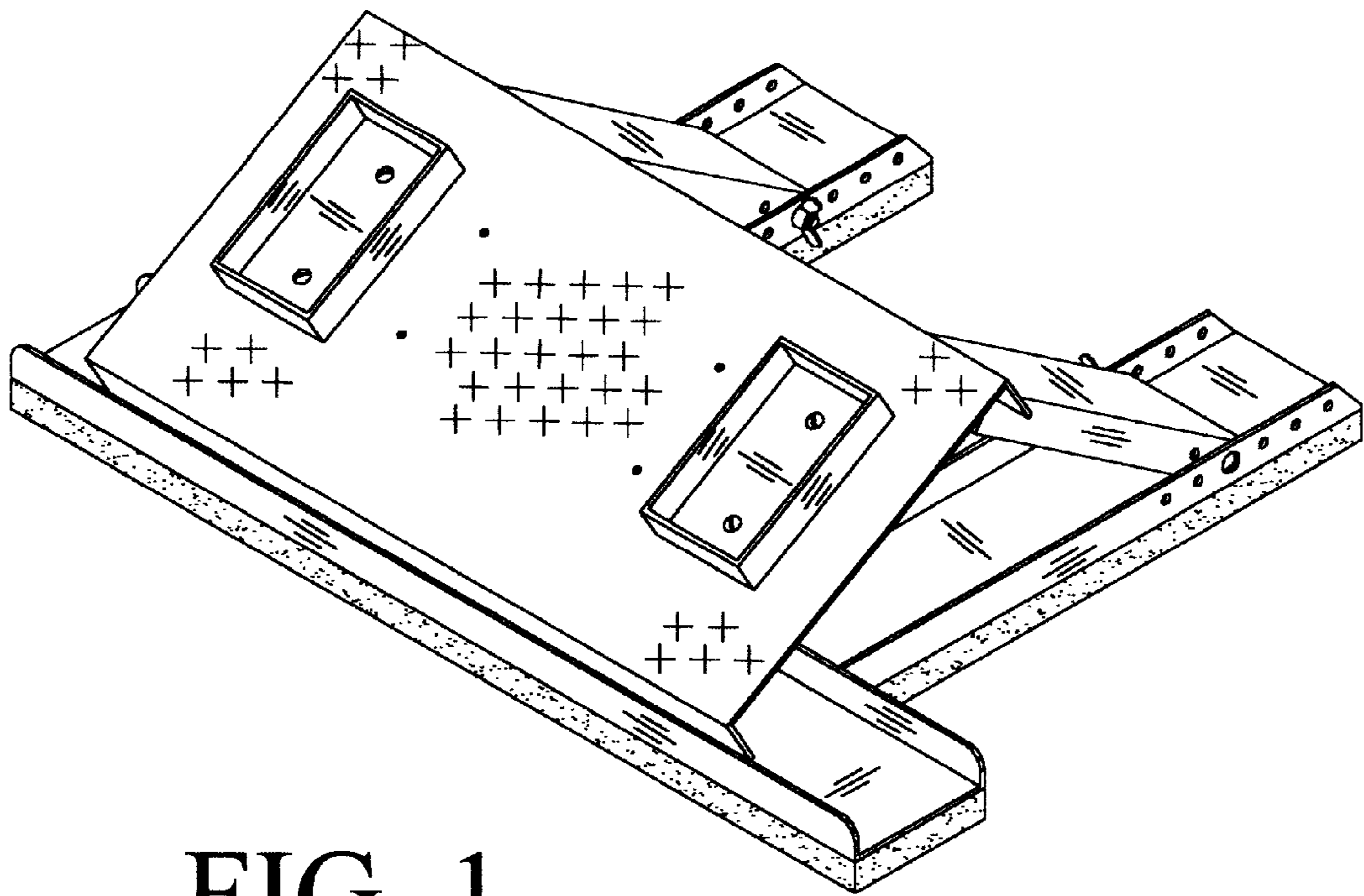


FIG. 1

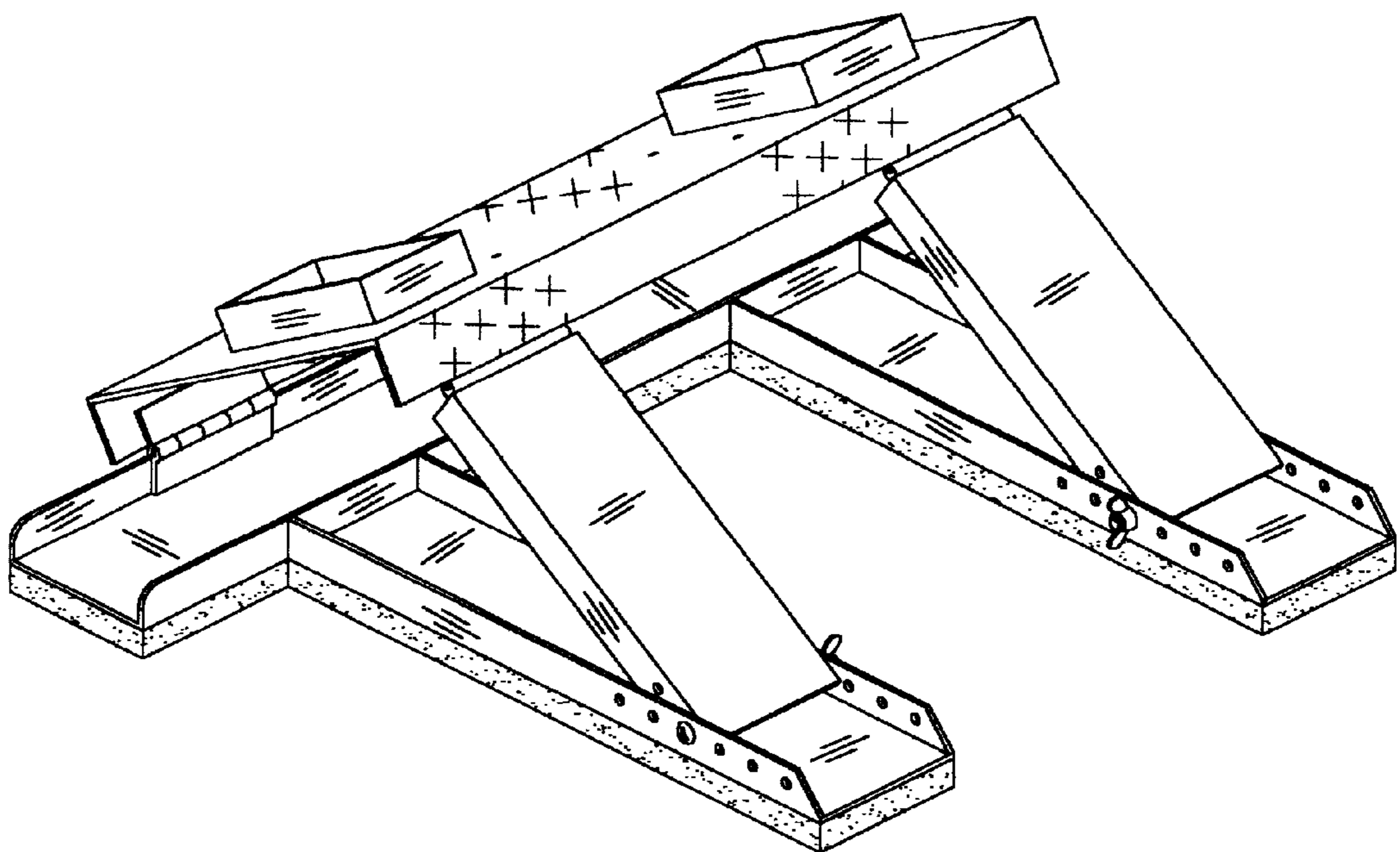


FIG. 2

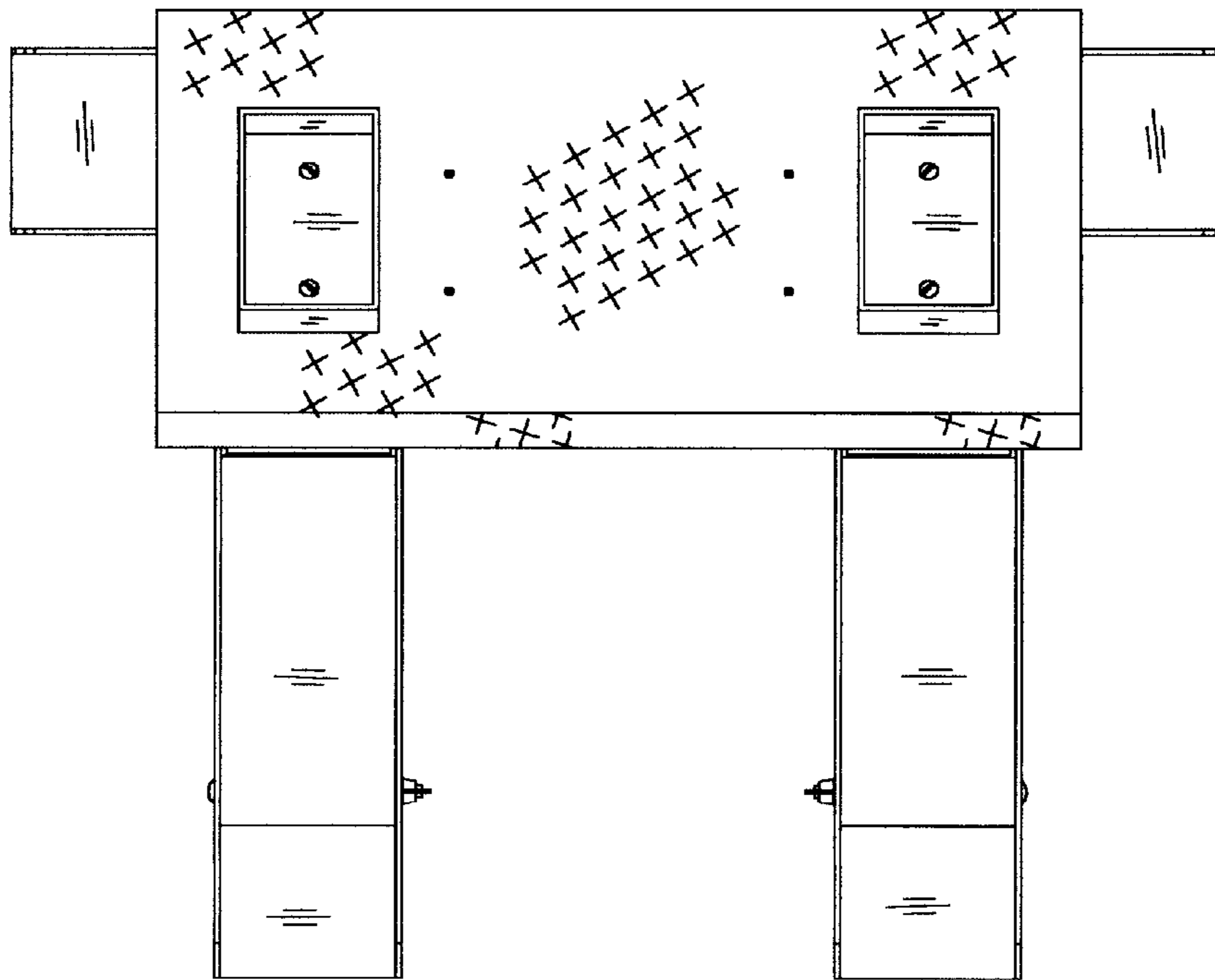


FIG. 3

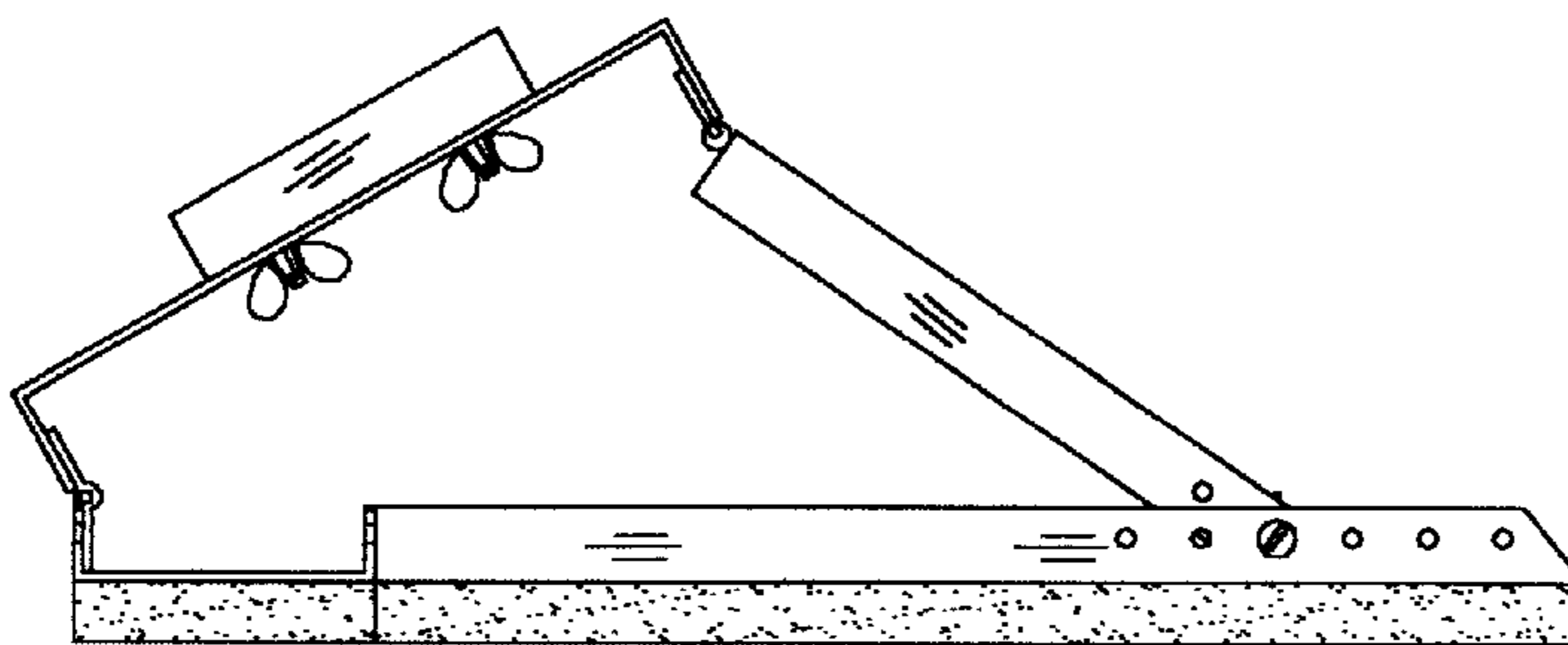


FIG. 4

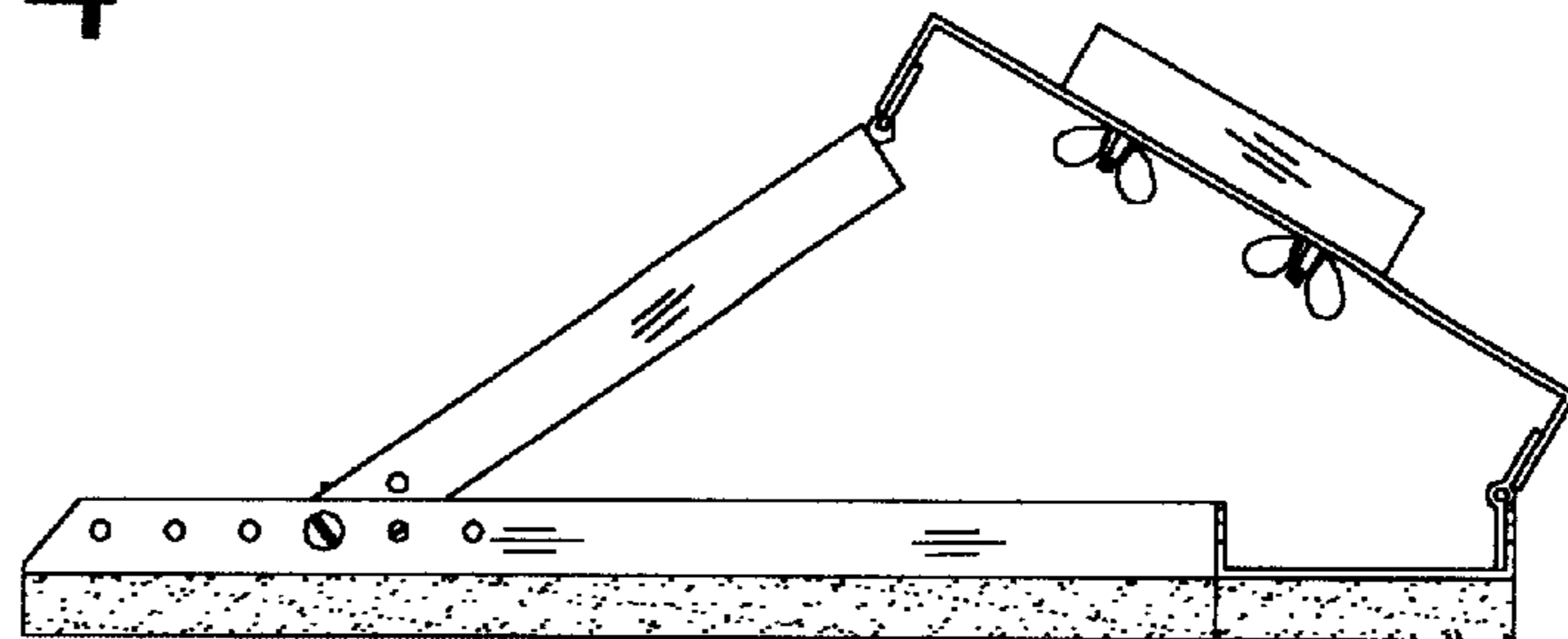


FIG. 5

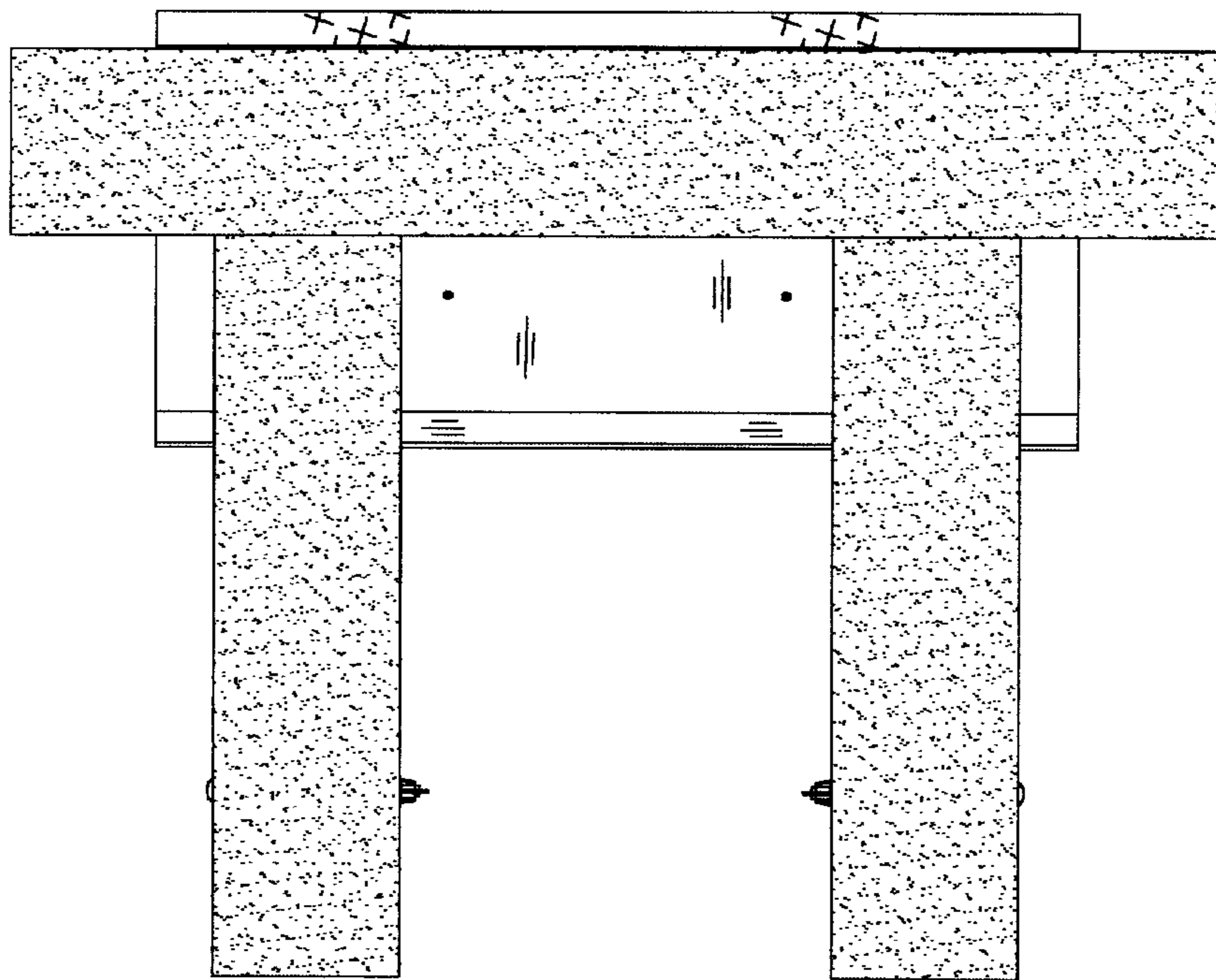


FIG. 6

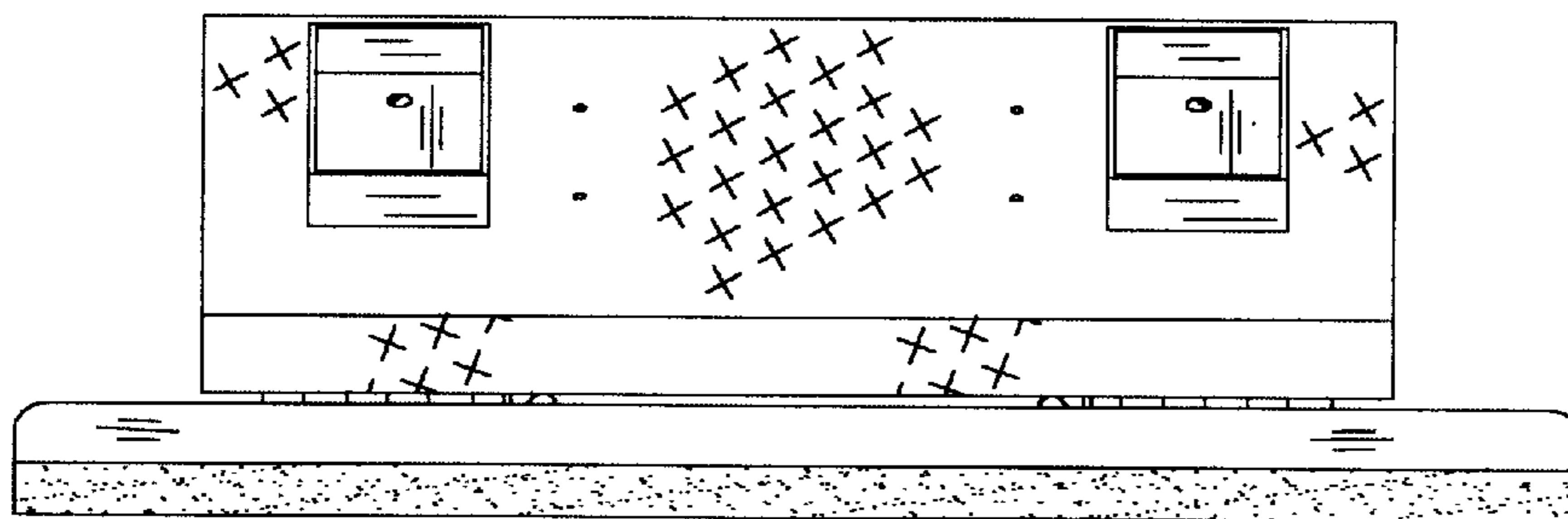


FIG. 7

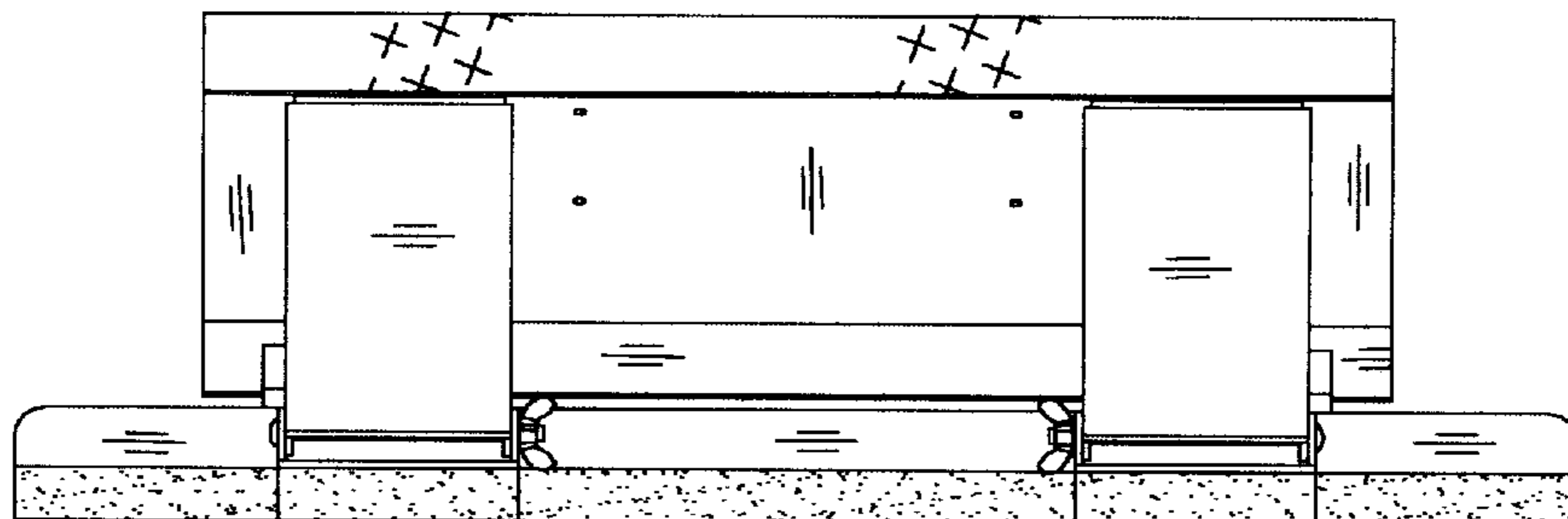


FIG. 8