



US00D441461S

(12) **United States Design Patent**
Bryjak et al.

(10) **Patent No.: US D441,461 S**

(45) **Date of Patent: ** May 1, 2001**

(54) **PORTABLE SEATING BLEACHER**
(75) Inventors: **John Jack Bryjak**, Park Ridge; **Arthur Hergott**, Deerfield; **Troy W. Livingston**, Northbrook, all of IL (US)

(73) Assignee: **Greenwich Industries, L.P.**, Lake Bluff, IL (US)

(**) Term: **14 Years**

(21) Appl. No.: **29/108,046**

(22) Filed: **Jul. 19, 1999**

Related U.S. Application Data

(63) Continuation-in-part of application No. 29/088,354, filed on May 21, 1998, now abandoned, which is a continuation-in-part of application No. 08/797,030, filed on Feb. 7, 1997, now Pat. No. 5,810,430.

(51) **LOC (7) Cl.** **25-04**

(52) **U.S. Cl.** **D25/63**

(58) **Field of Search** 52/182, 183, 188, 52/191; D25/6-9, 62, 63

(56) **References Cited**

U.S. PATENT DOCUMENTS

Re. 34,468	12/1993	Rau et al.	296/26
D. 185,793 *	8/1959	Conn	D25/63
890,705	6/1908	Pilia et al. .	
1,044,160	11/1912	Freedman .	
1,046,055	12/1912	Di Orio .	
1,248,702	12/1917	Percival .	
1,282,220	10/1918	Grundal .	
1,583,264	5/1926	Turner, Jr. .	
1,856,449	5/1932	Young .	
2,007,988	7/1935	Thomas	5/12
2,061,235	11/1936	Horn	20/0.5
2,121,456	6/1938	Tornquist	155/117
2,147,564	2/1939	Vance	20/0.5
2,205,624	6/1940	Horn	189/1
2,595,038	4/1952	Woller	5/29
2,738,519	3/1956	Thomas	5/12
2,755,486	7/1956	Thomas	5/12

2,815,541	12/1957	Lappin et al.	20/1.126
2,832,082	4/1958	Thomas	5/13
2,846,738	8/1958	Walworth et al.	20/1.126
2,891,255	6/1959	Simmons	5/9
2,983,968	5/1961	Wurn	20/1.126
3,035,671 *	5/1962	Sicherman	52/183
3,077,642 *	2/1963	Forsythe et al.	52/191
3,346,317 *	10/1967	Peggs	52/183
3,482,270	12/1969	Hill	5/13
3,600,033	8/1971	Holdampf et al.	297/16
4,223,945	9/1980	Nikitis	297/159
4,378,609	4/1983	Patterson et al.	5/12 R
4,742,900	5/1988	Boxhammer	190/2
4,979,340	12/1990	Wilson et al.	52/9
4,986,591	1/1991	Martienssen et al.	296/65.1
5,421,131	6/1995	Heckman et al.	52/263
5,787,656 *	8/1998	D'Antonio	52/188

FOREIGN PATENT DOCUMENTS

1130123 5/1962 (DE) .

* cited by examiner

Primary Examiner—Doris Clark

(74) *Attorney, Agent, or Firm*—Fitch, Even, Tabin & Flannery

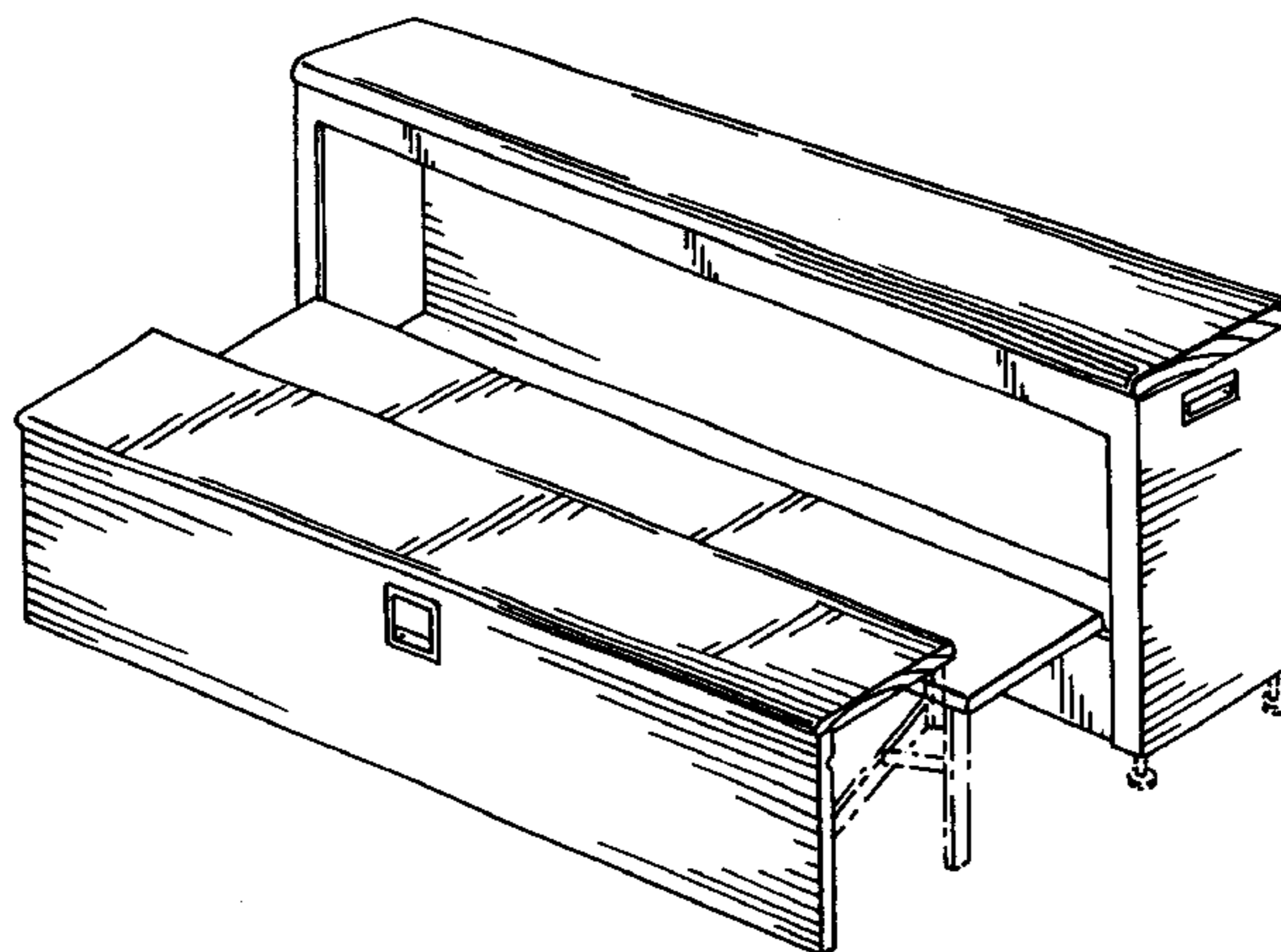
(57) **CLAIM**

We claim the ornamental design for a portable seating bleacher, as shown and described.

DESCRIPTION

FIG. 1 is a perspective view of a portable seating bleacher showing our new design; FIG. 2 is a front elevational view thereof; FIG. 3 is a left side elevational view thereof; FIG. 4 is a right side elevational view thereof; FIG. 5 is a top plan view thereof; FIG. 6 is a rear elevational view thereof; and, FIG. 7 is an enlarged perspective view of the seating system showing our design. The broken lines are for illustrative purposes only and form no part of the claimed design.

1 Claim, 3 Drawing Sheets



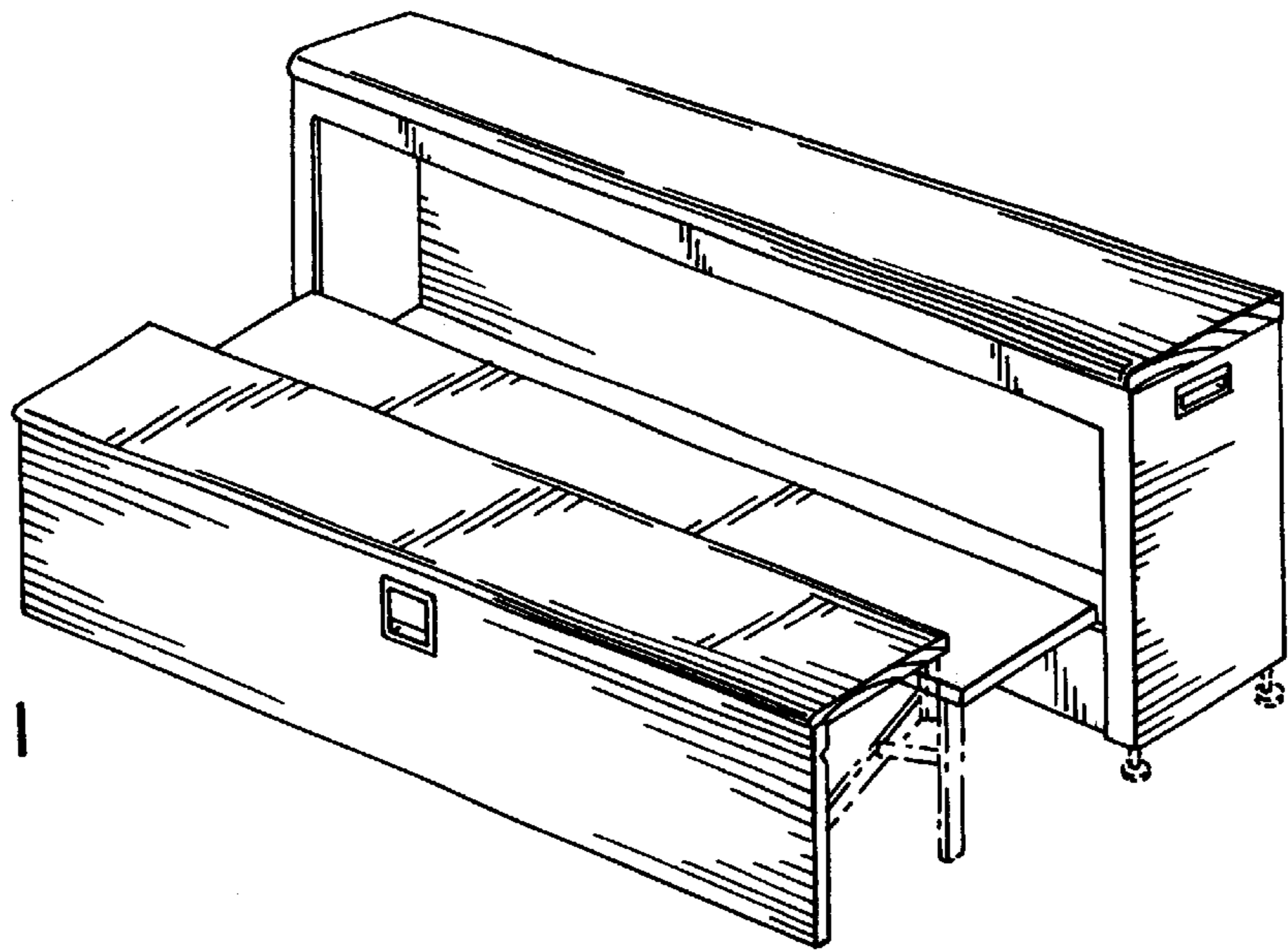


FIG. 1

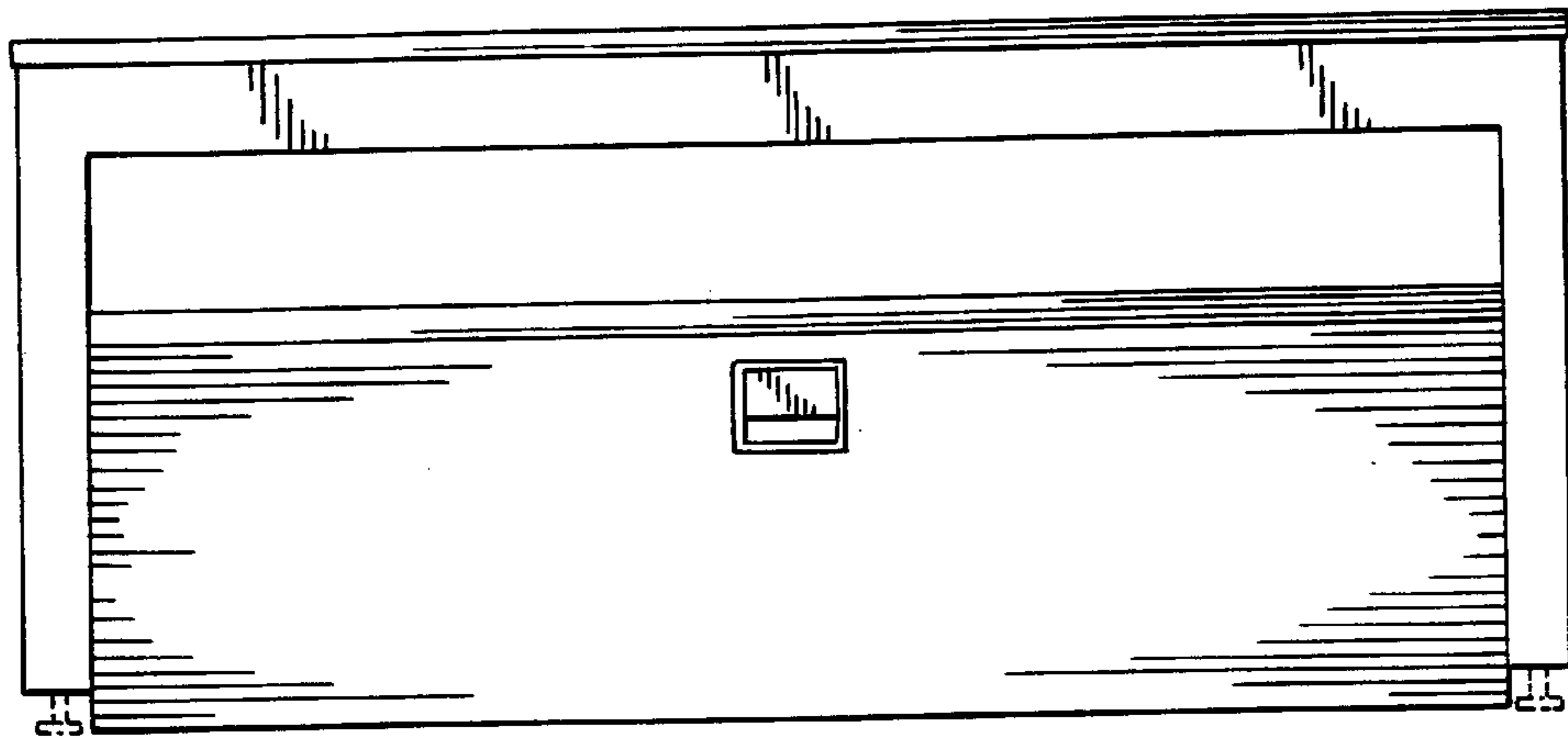


FIG. 2

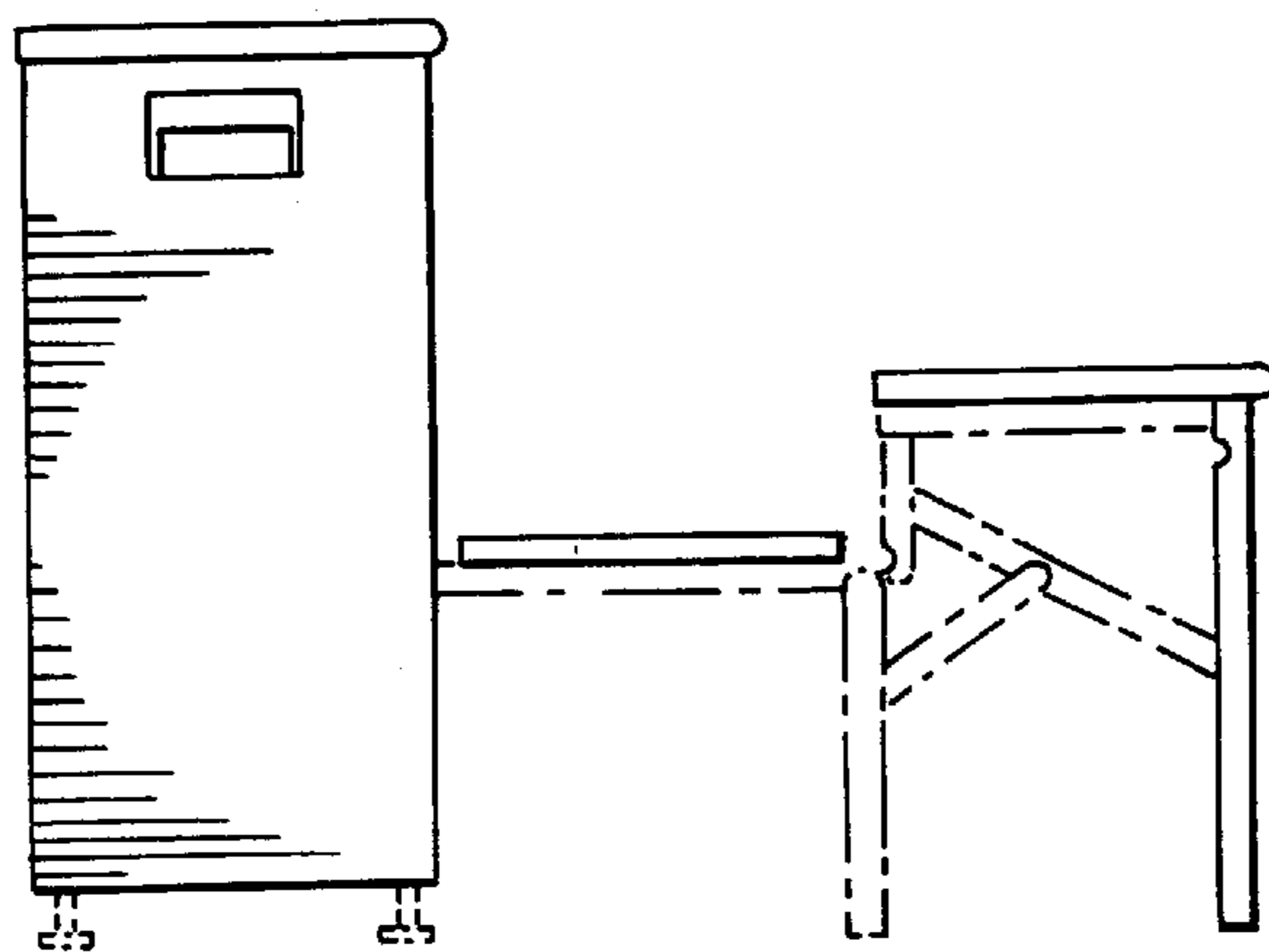


FIG. 3

FIG. 4

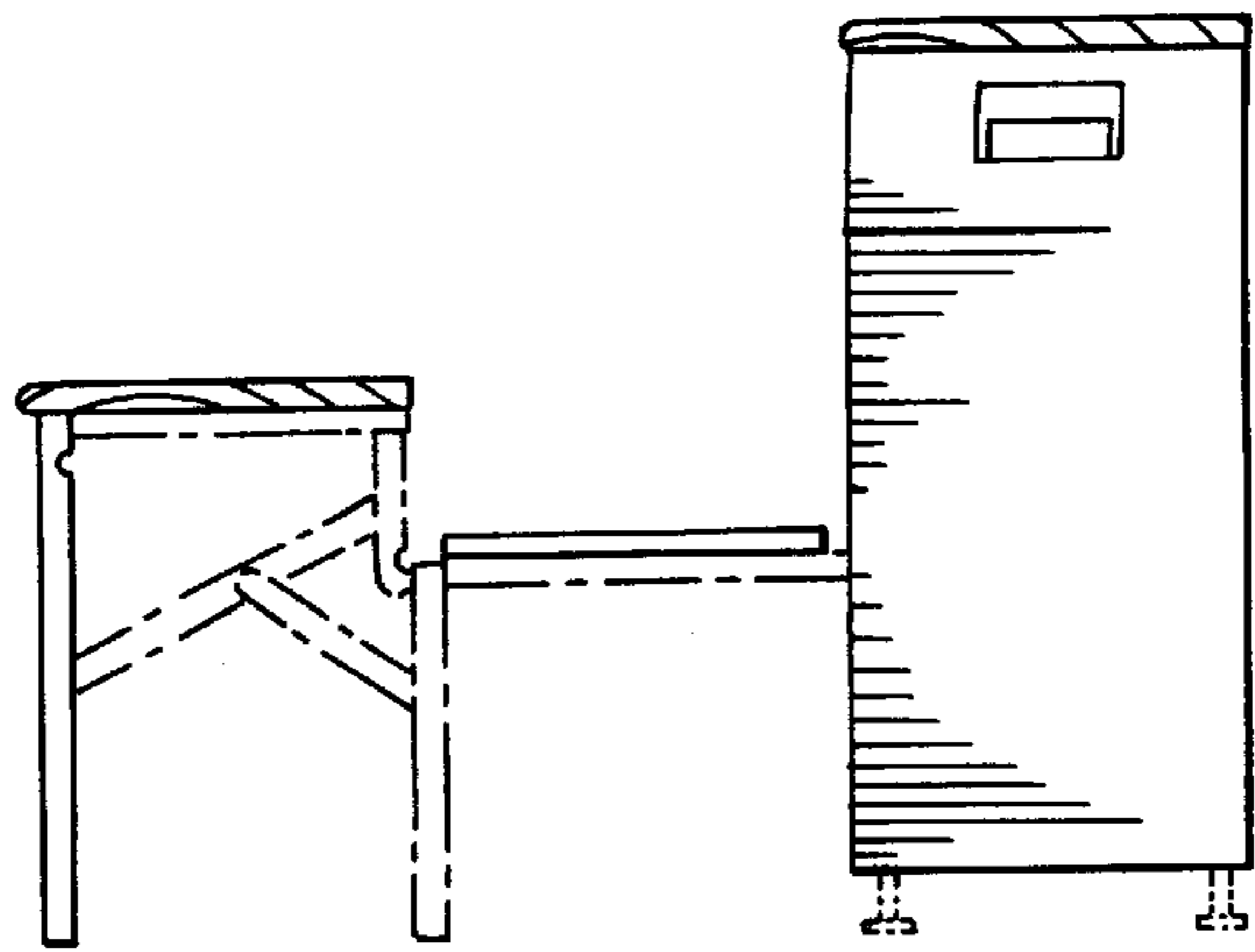


FIG. 5

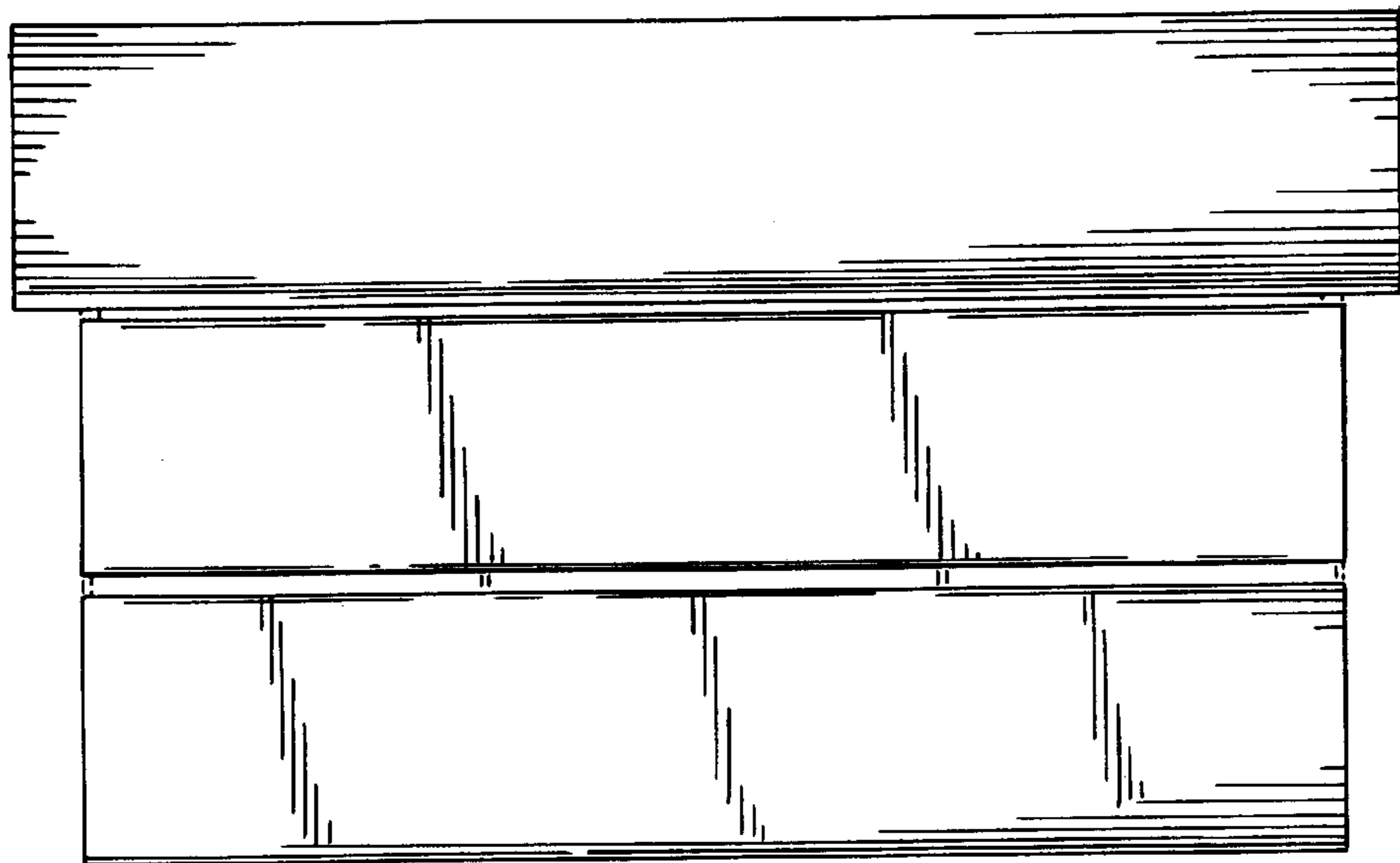


FIG. 6

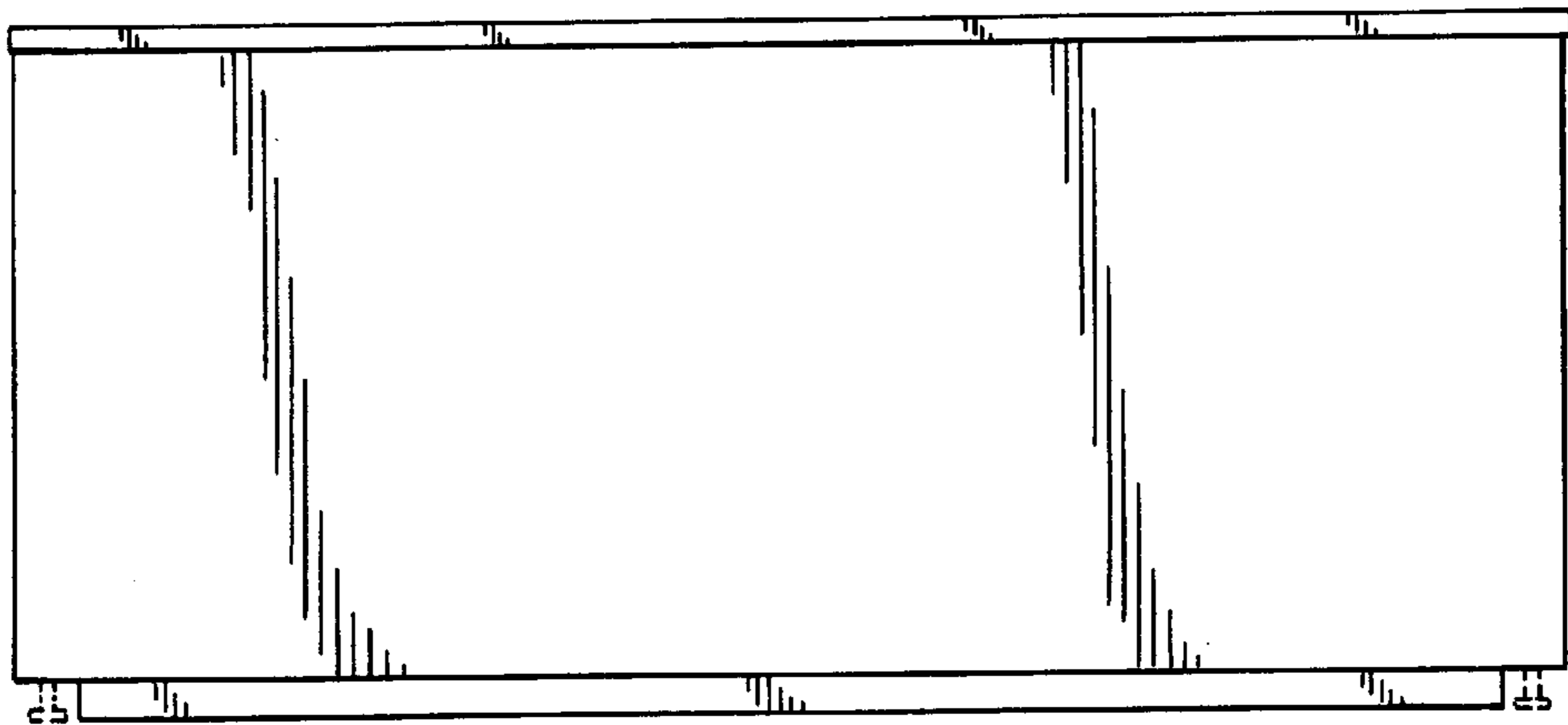


FIG. 7

