



US00D441460S

(12) **United States Design Patent**
Petty

(10) **Patent No.:** **US D441,460 S**

(45) **Date of Patent:** **** May 1, 2001**

- (54) **WINDOW SECURITY GUARD**
- (76) Inventor: **Mary A. Petty**, 214 Los Lomas Ct.,
San Angelo, TX (US) 76904
- (**) Term: **14 Years**
- (21) Appl. No.: **29/124,147**
- (22) Filed: **May 31, 2000**
- (51) **LOC (7) Cl.** **D25-02**
- (52) **U.S. Cl.** **D25/53**
- (58) **Field of Search** 49/50; D25/53;
52/656.8

4,475,309	10/1984	Porter	49/55
4,478,002	10/1984	English	49/57
4,575,965	3/1986	Iversen	49/50
4,631,862	12/1986	Gallardo	49/56
4,835,906	6/1989	Collin	49/57
4,848,030	7/1989	Bennett	49/57
5,428,924	7/1995	Pifer	49/50
5,657,578	8/1997	Thompson	49/141

* cited by examiner

Primary Examiner—Doris Clark

(74) *Attorney, Agent, or Firm*—Dennis T. Griggs

(57) **CLAIM**

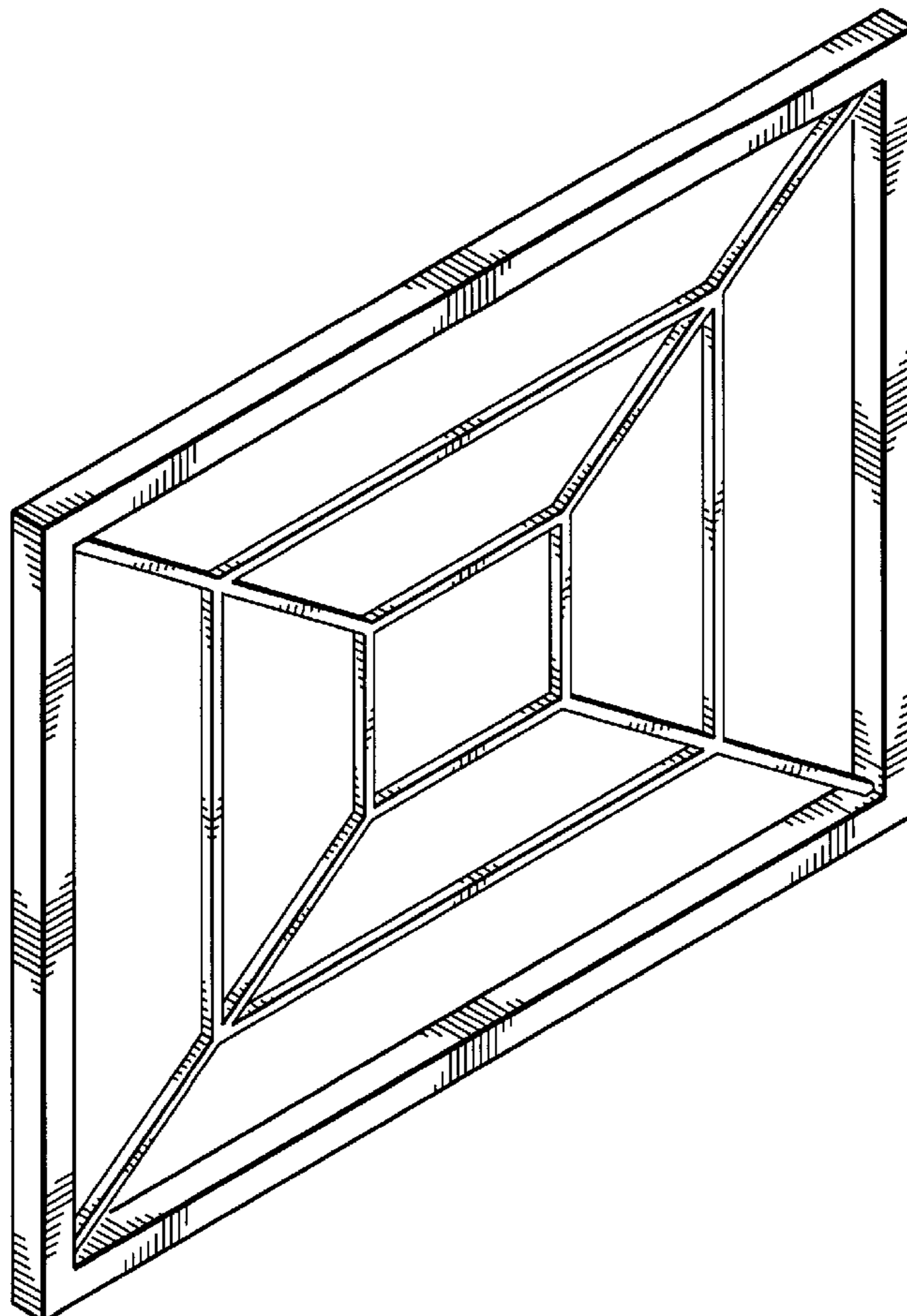
The ornamental design for a window security guard, as shown and described.

- (56) **References Cited**
- U.S. PATENT DOCUMENTS**
- D. 269,380 6/1983 d'Avila D25/53
- D. 275,703 9/1984 De Rocher D25/53
- D. 288,854 * 3/1987 Stollman D25/53
- D. 299,757 2/1989 Kluge D25/53
- D. 336,340 6/1993 Medina D25/53
- D. 341,210 11/1993 Zvi D25/53
- D. 345,806 4/1994 Vyvoda D25/53
- D. 380,275 * 6/1997 Chitty D25/53
- 2,668,729 2/1954 Watters 292/137
- 3,953,939 5/1976 Klein 49/56

DESCRIPTION

FIG. 1 is a perspective view of a window security guard showing my new design;
 FIG. 2 is a front elevational view thereof, the rear elevational view being a mirror image thereof;
 FIG. 3 is a top plan view thereof, the bottom plan view being a mirror image thereof; and,
 FIG. 4 is a left side elevational view thereof, the right side elevational view being a mirror image thereof.

1 Claim, 1 Drawing Sheet



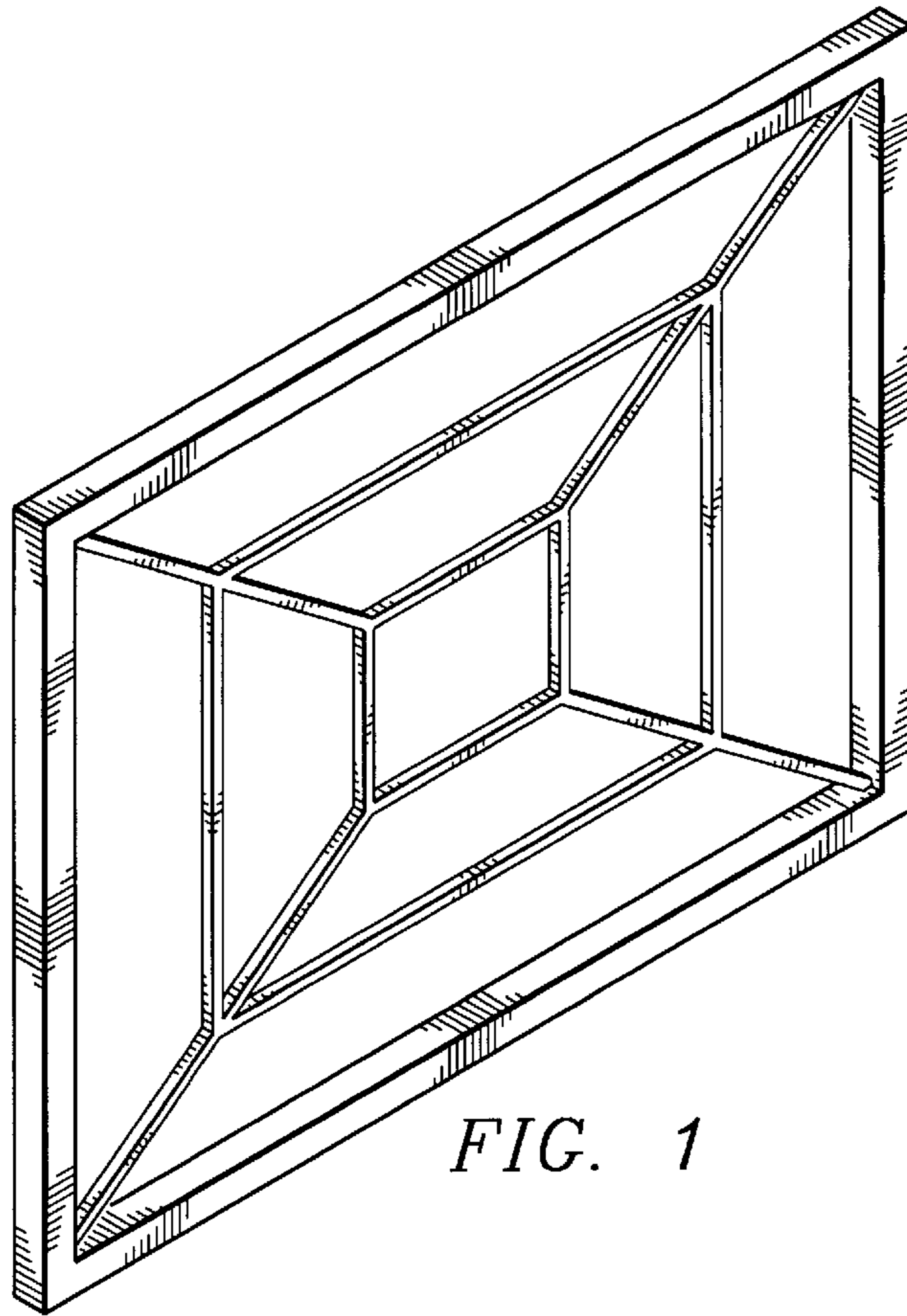


FIG. 1

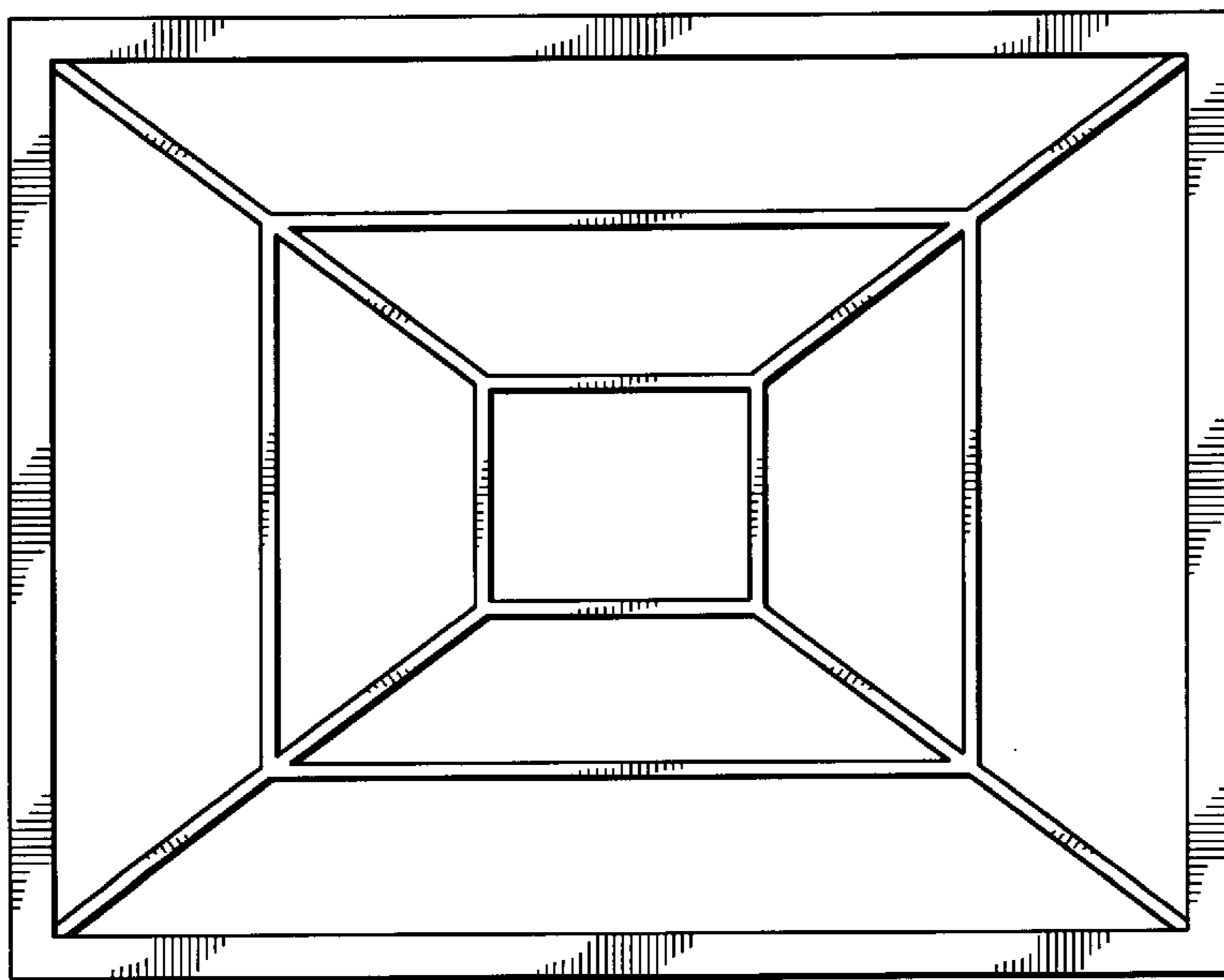


FIG. 2



FIG. 4



FIG. 3